



US00D340552S

United States Patent [19]

[11] Patent Number: **Des. 340,552**

Smith

[45] Date of Patent: **** Oct. 19, 1993**

[54] **PET DISH**

[76] Inventor: **Dennis Smith, 3440 Baxter St., Napa, Calif. 94558**

[**] Term: **14 Years**

[21] Appl. No.: **711,751**

[22] Filed: **Jun. 7, 1991**

[52] U.S. Cl. **D30/121; D7/616; D6/469; D30/133**

[58] Field of Search **D30/121-123, D30/129-133, 119-120; 119/61, 51.5, 51.11, 51.12, 52.4, 72, 73, 77, 158; D7/550, 553, 555, 616; D3/40; D6/349, 335, 487, 406, 469, 467; D9/455**

[56] **References Cited**

U.S. PATENT DOCUMENTS

D. 258,018	1/1981	Venditto et al.	D30/130
1,855,314	4/1932	Schacht	119/61
4,044,723	8/1977	Fitzpatrick	119/51.5
4,065,195	12/1977	Fabmie	119/61
4,658,759	4/1987	Brown	119/61
4,699,089	10/1987	Teschke	119/61

FOREIGN PATENT DOCUMENTS

2188525 10/1987 United Kingdom 119/61

OTHER PUBLICATIONS

Pedigrees the pet catalog; p. 27 item A. pinefeeder.
Spiegel Catalog; p. 4; item C. Doggie Diner.

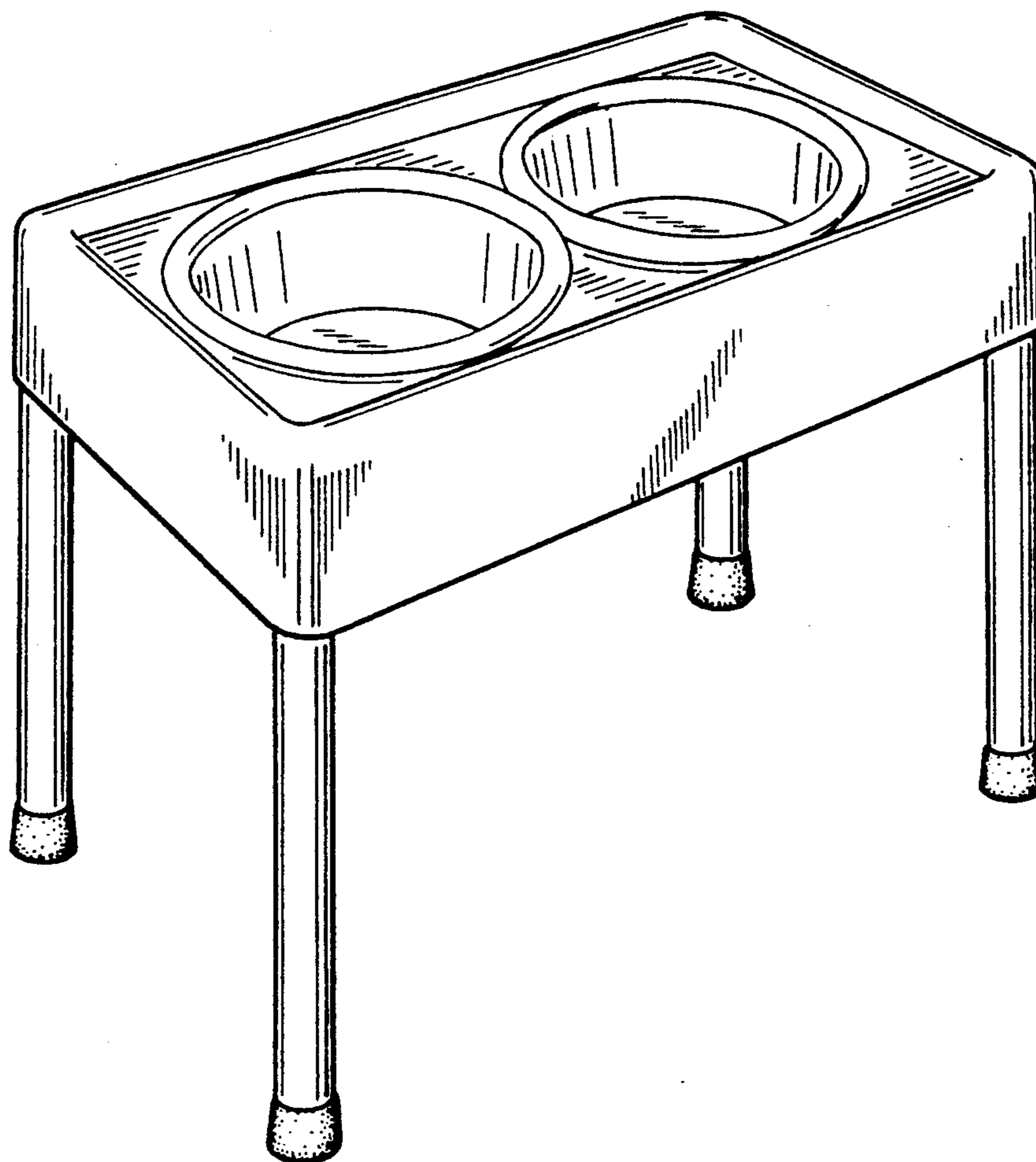
Primary Examiner—A. Hugo Word
Assistant Examiner—Cathy Anne MacCormac
Attorney, Agent, or Firm—Larry D. Johnson

[57] CLAIM

The ornamental design for a pet dish, as shown and described.

DESCRIPTION

FIG. 1 is a perspective view of a pet dish showing my new design;
FIG. 2 is a top plan view thereof;
FIG. 3 is a front elevational view thereof, the opposite side being identical;
FIG. 4 is a side elevational view thereof, the opposite side being identical; and,
FIG. 5 is a bottom plan view thereof.



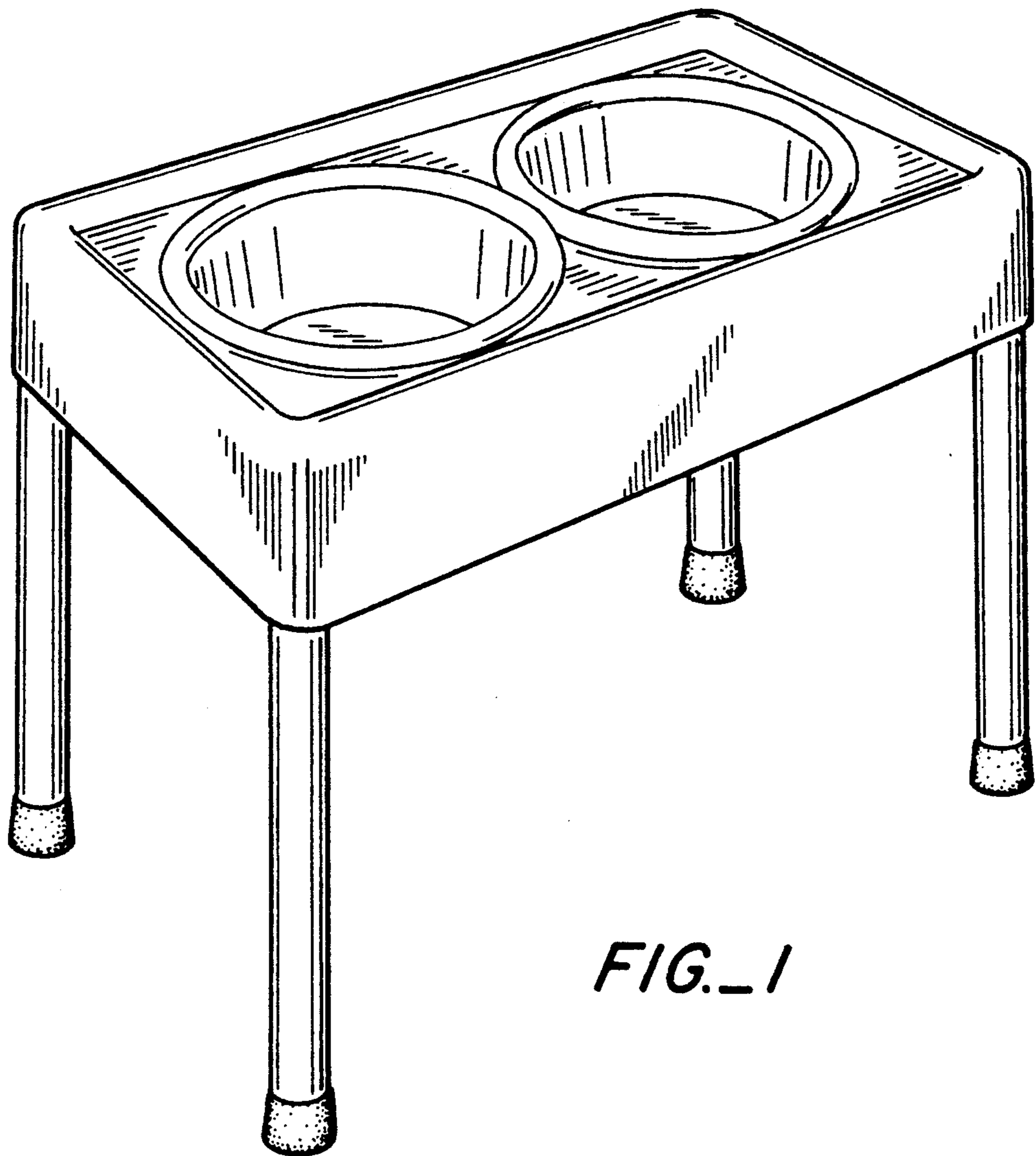


FIG. 1

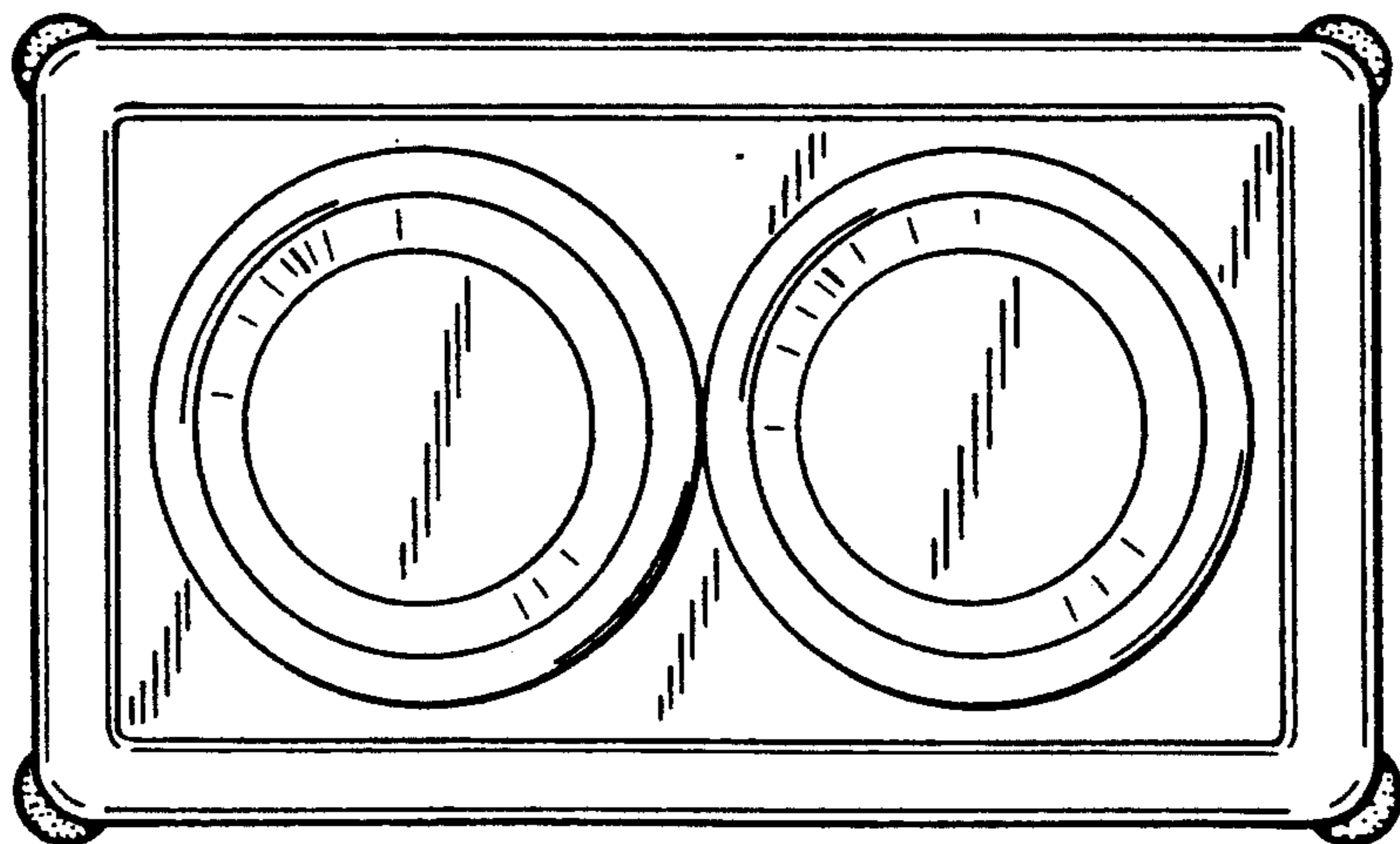


FIG. 2

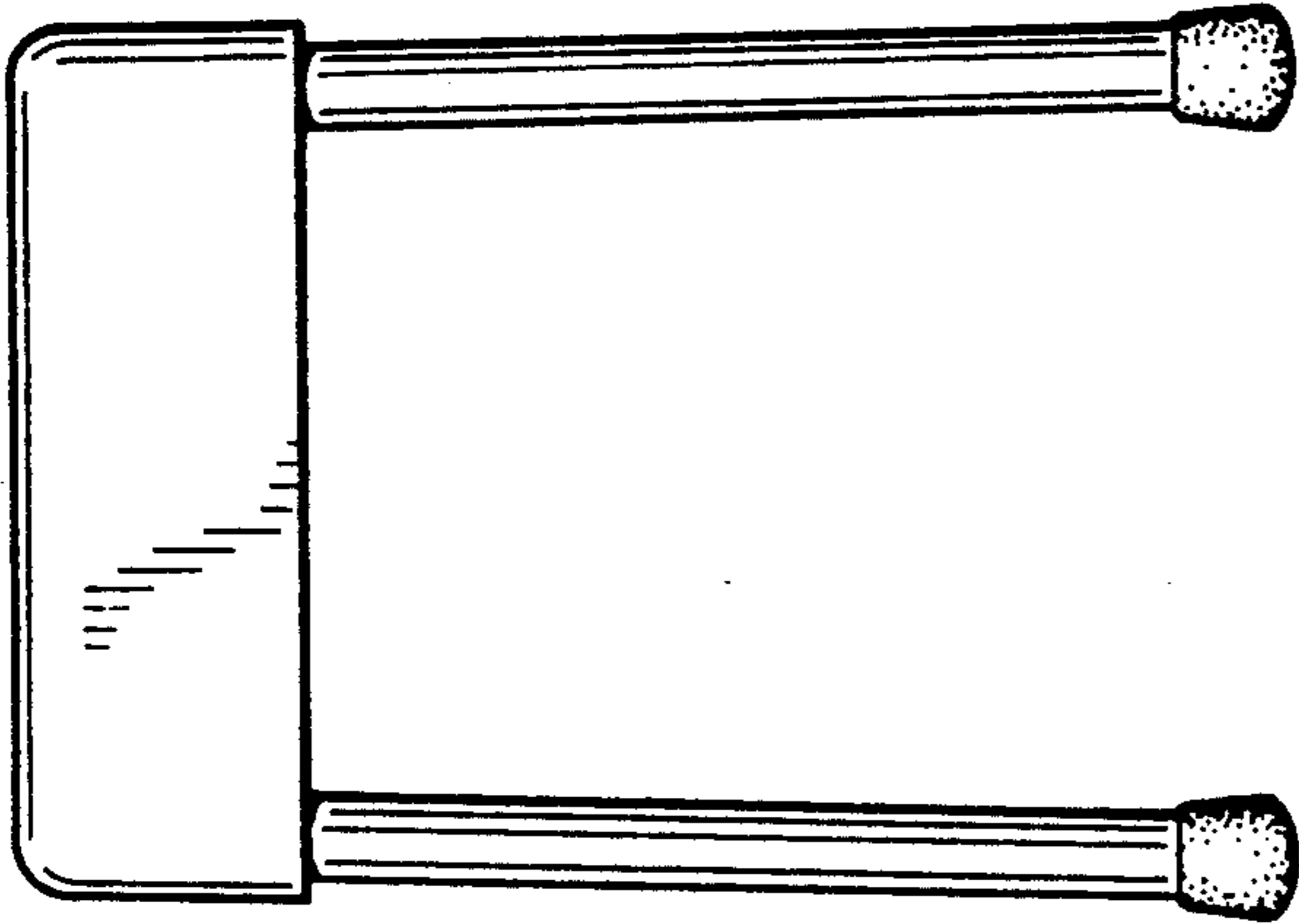


FIG.-4

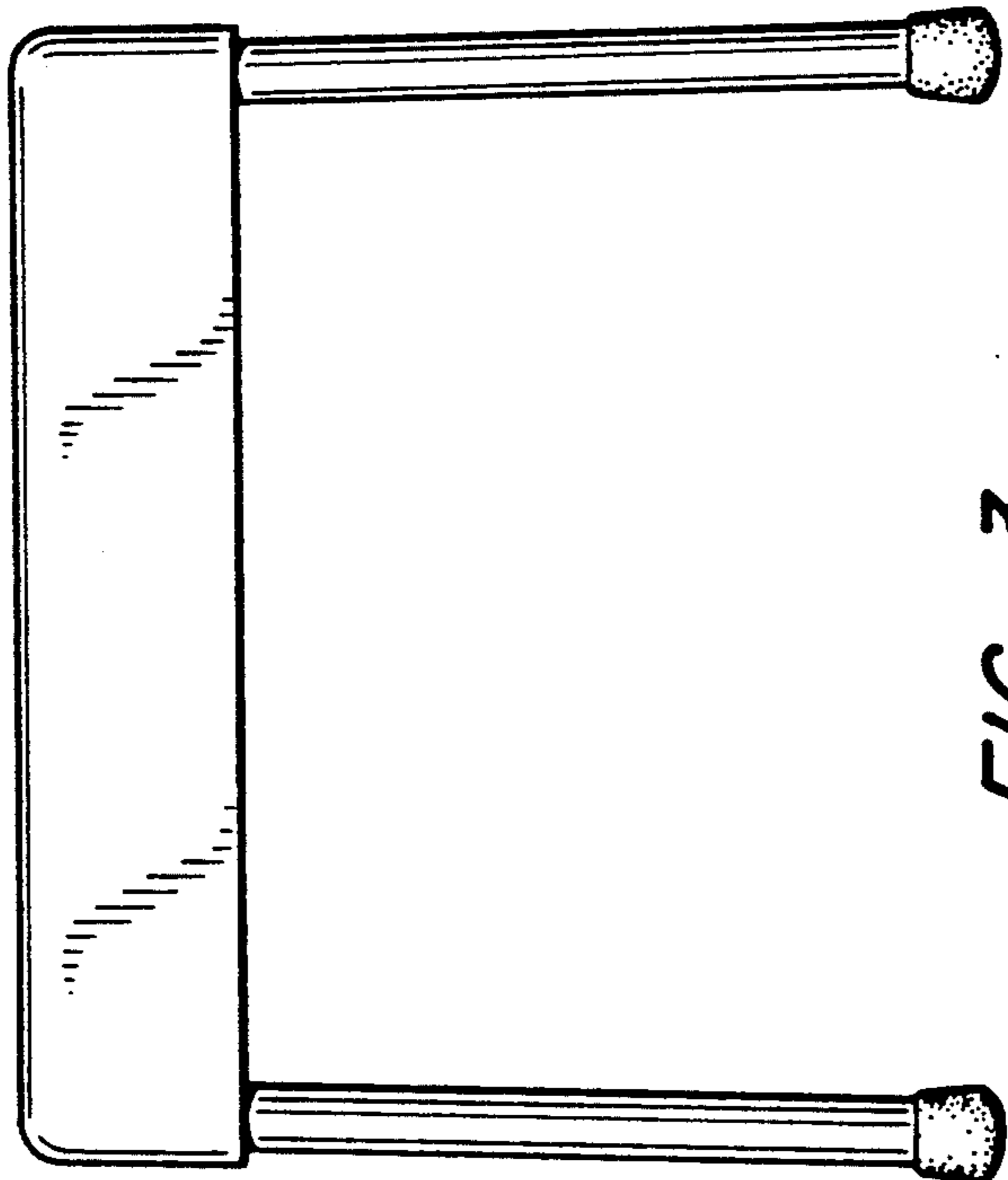


FIG.-3

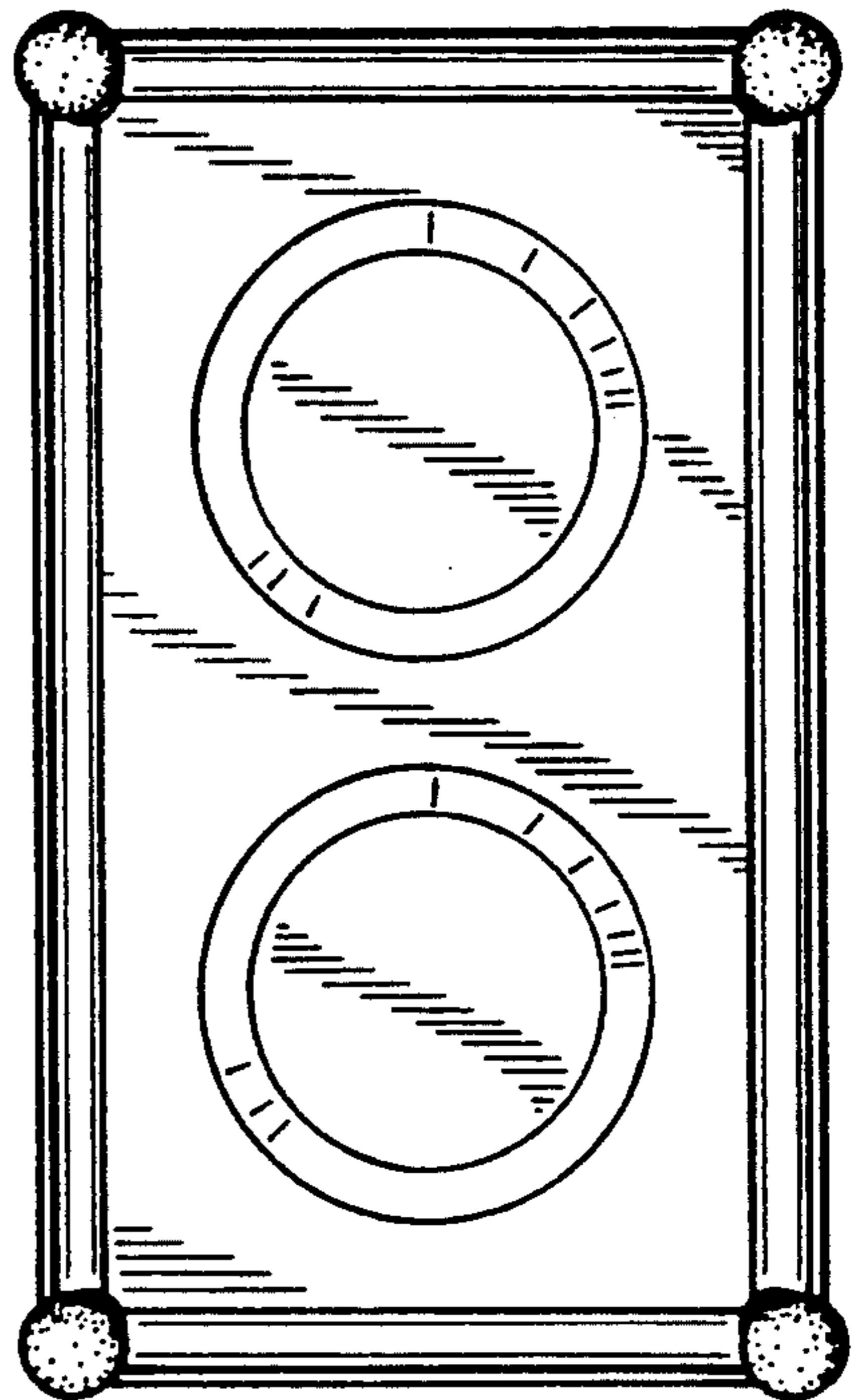


FIG.-5