



US00D340547S

# United States Patent [19]

[11] Patent Number: **Des. 340,547**

Rekow

[45] Date of Patent: **\*\* Oct. 19, 1993**

[54] **HELMET WITH VOICE ACTUATED VISOR**

[76] Inventor: **Russell N. Rekow, 1224 Sunset Dr., Emmett, Id. 83617**

[\*\*] Term: **14 Years**

[21] Appl. No.: **534,856**

[22] Filed: **Jun. 8, 1990**

[52] U.S. Cl. .... **D29/17**

[58] Field of Search ..... **D29/9, 12-17; 2/7, 8, 410-411, 414, 421-425, 9, 190**

3,475,765	11/1969	Zeltmann	.....	2/8
4,153,952	5/1979	Dussich	.....	2/12
4,571,747	2/1986	Briggs	.....	2/424
4,707,860	11/1987	Holmstrom	.....	2/8
5,014,353	5/1991	Brown et al.	.....	2/9

*Primary Examiner*—Ruth McInroy  
*Attorney, Agent, or Firm*—Terry M. Gernstein

[57] **CLAIM**

The ornamental design for a helmet with voice actuated visor, as shown and described.

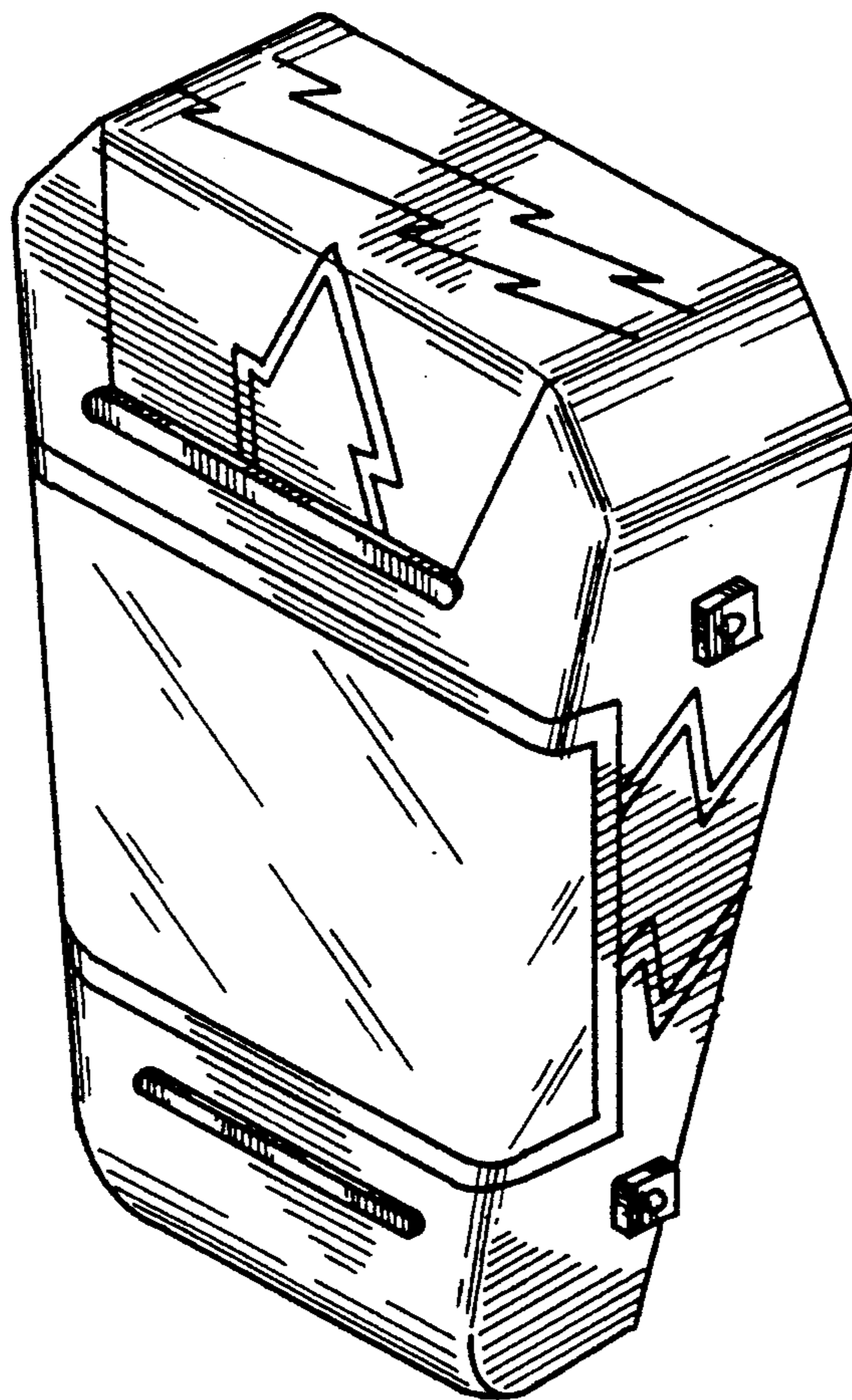
[56] **References Cited**

**U.S. PATENT DOCUMENTS**

D. 203,329	12/1965	Fitchko	.	
D. 308,586	6/1990	Van Wyk	.....	D29/15
D. 321,067	10/1991	Salce et al.	.....	D29/15
D. 321,957	11/1991	Brown et al.	.....	D29/15
1,795,866	3/1931	King	.	
2,815,508	12/1957	Finken	.....	2/3

**DESCRIPTION**

FIG. 1 is a perspective view of a helmet with voice actuated visor showing my new design; FIG. 2 is a front elevational view thereof; FIG. 3 is a side elevational view thereof; FIG. 4 is a top plan view thereof; FIG. 5 is a rear elevational view thereof; and, FIG. 6 is a rear perspective view thereof.



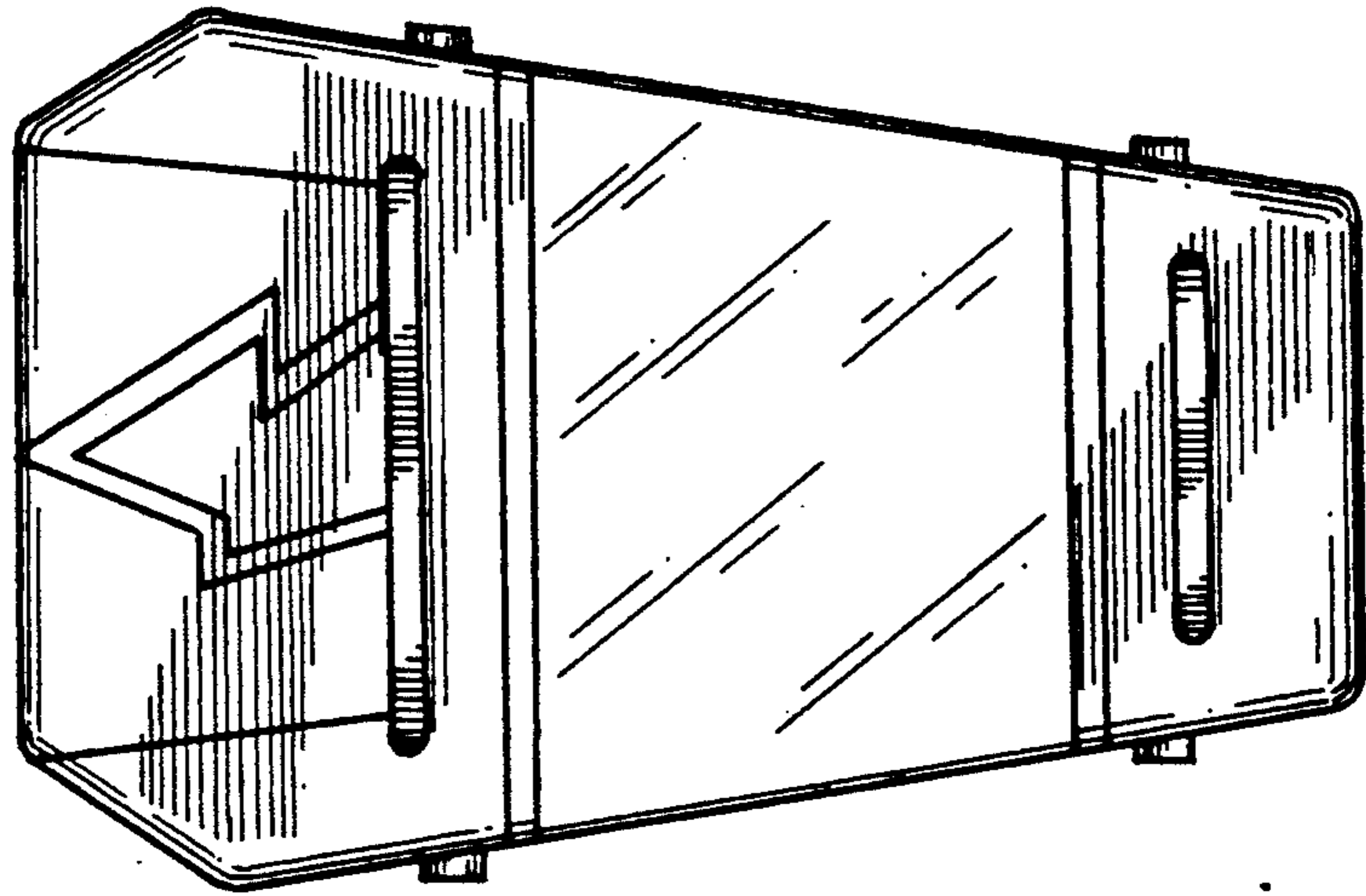


FIG. 2.

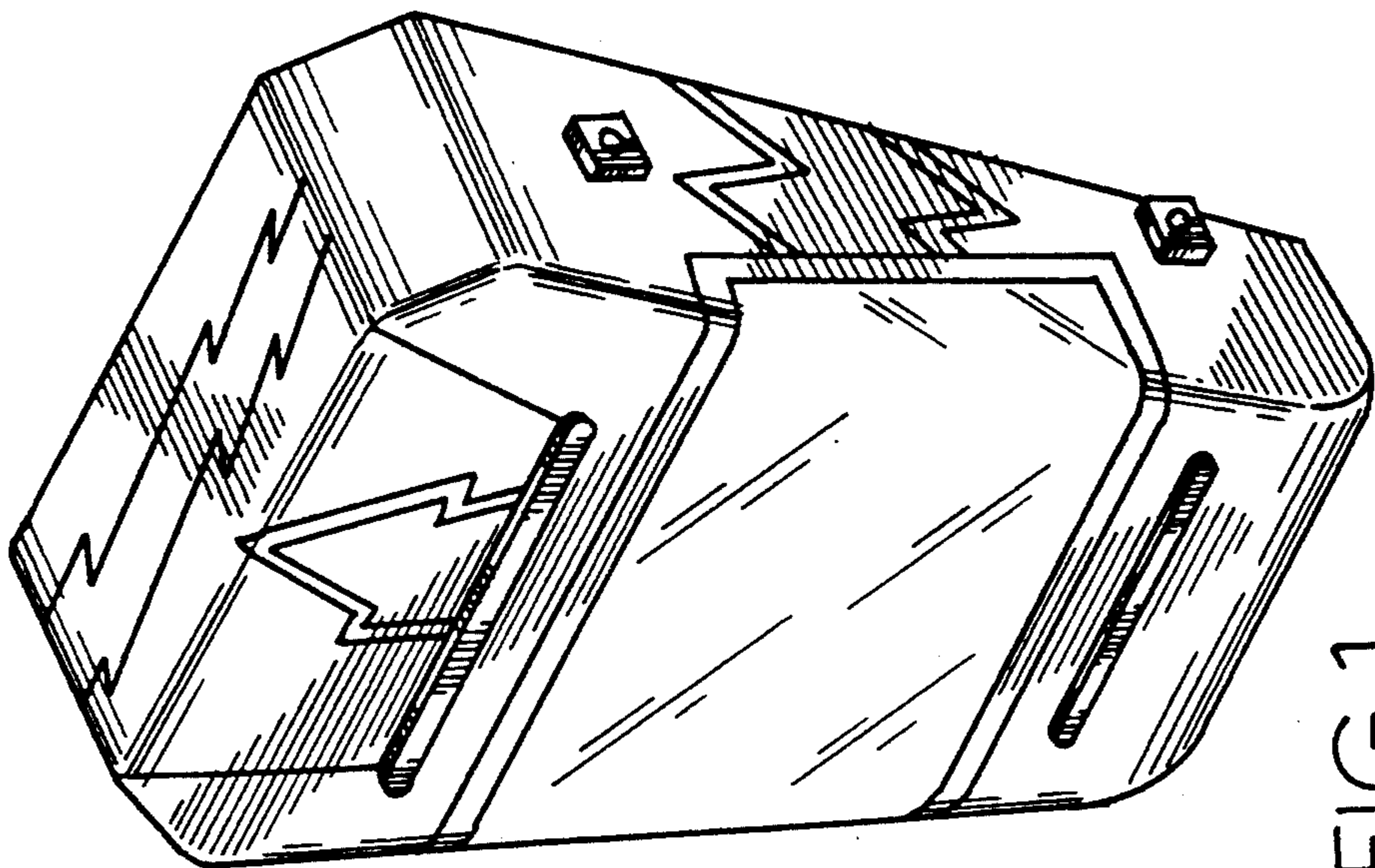


FIG. 1.

FIG. 4.

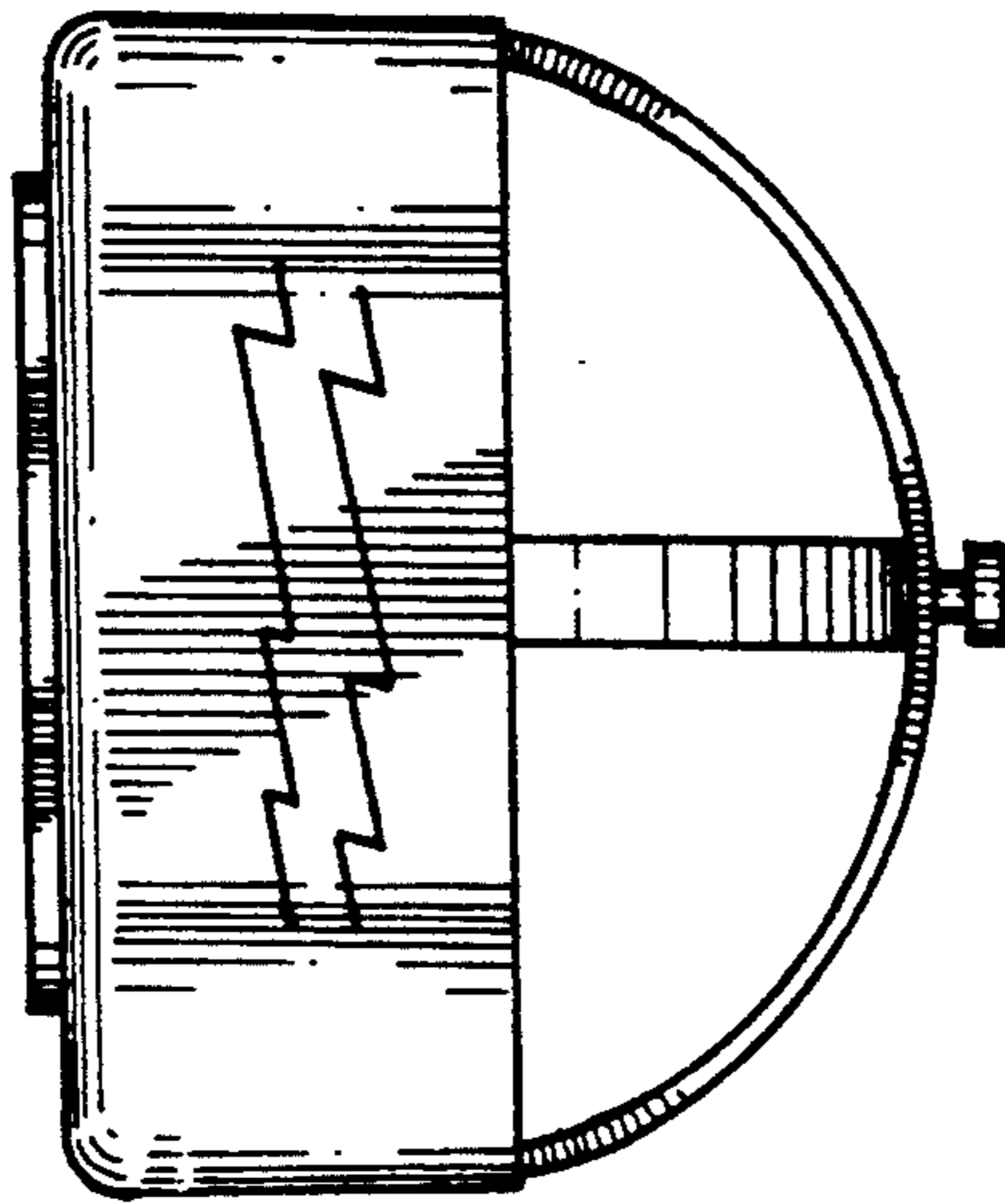
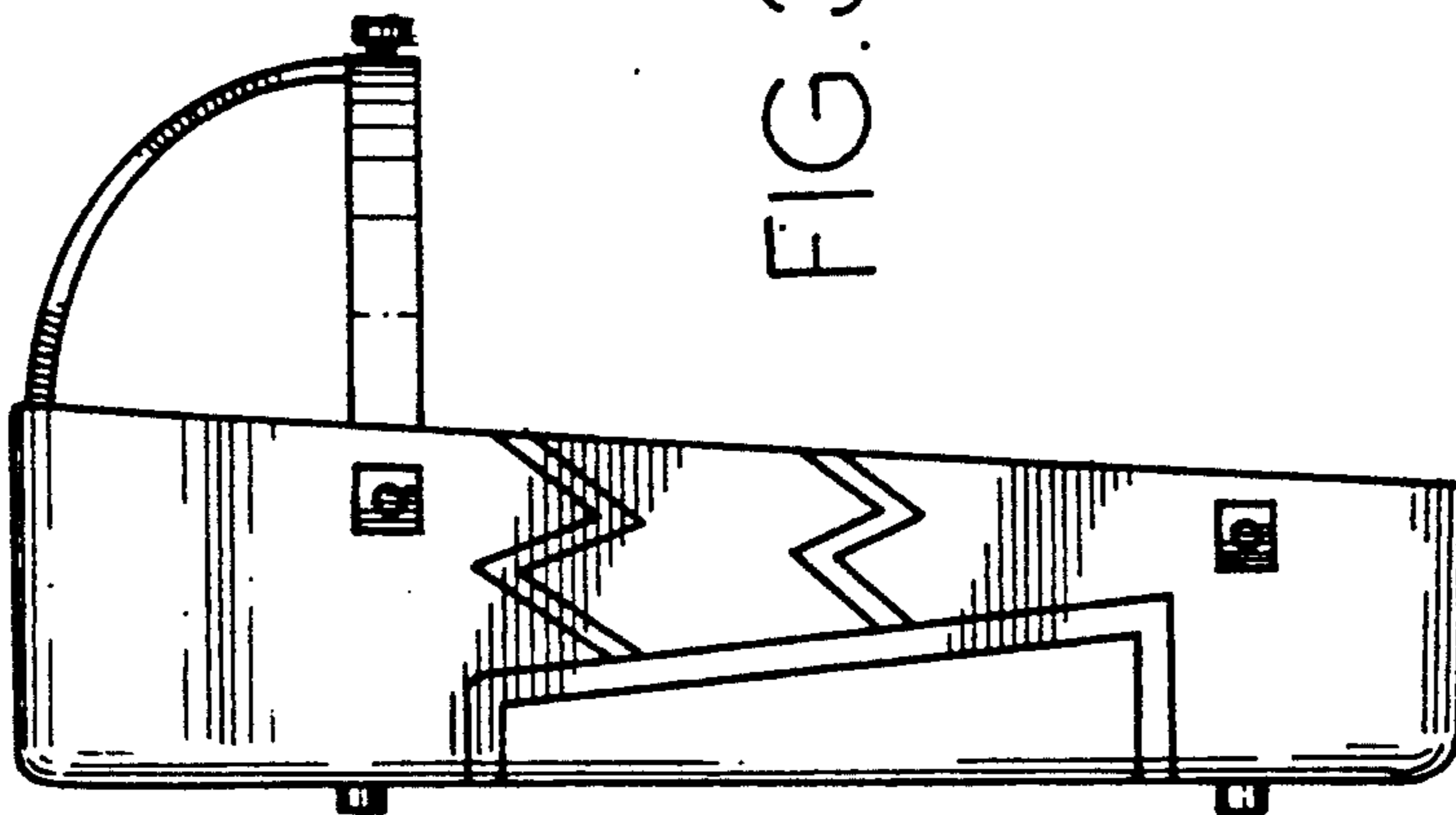


FIG. 3.



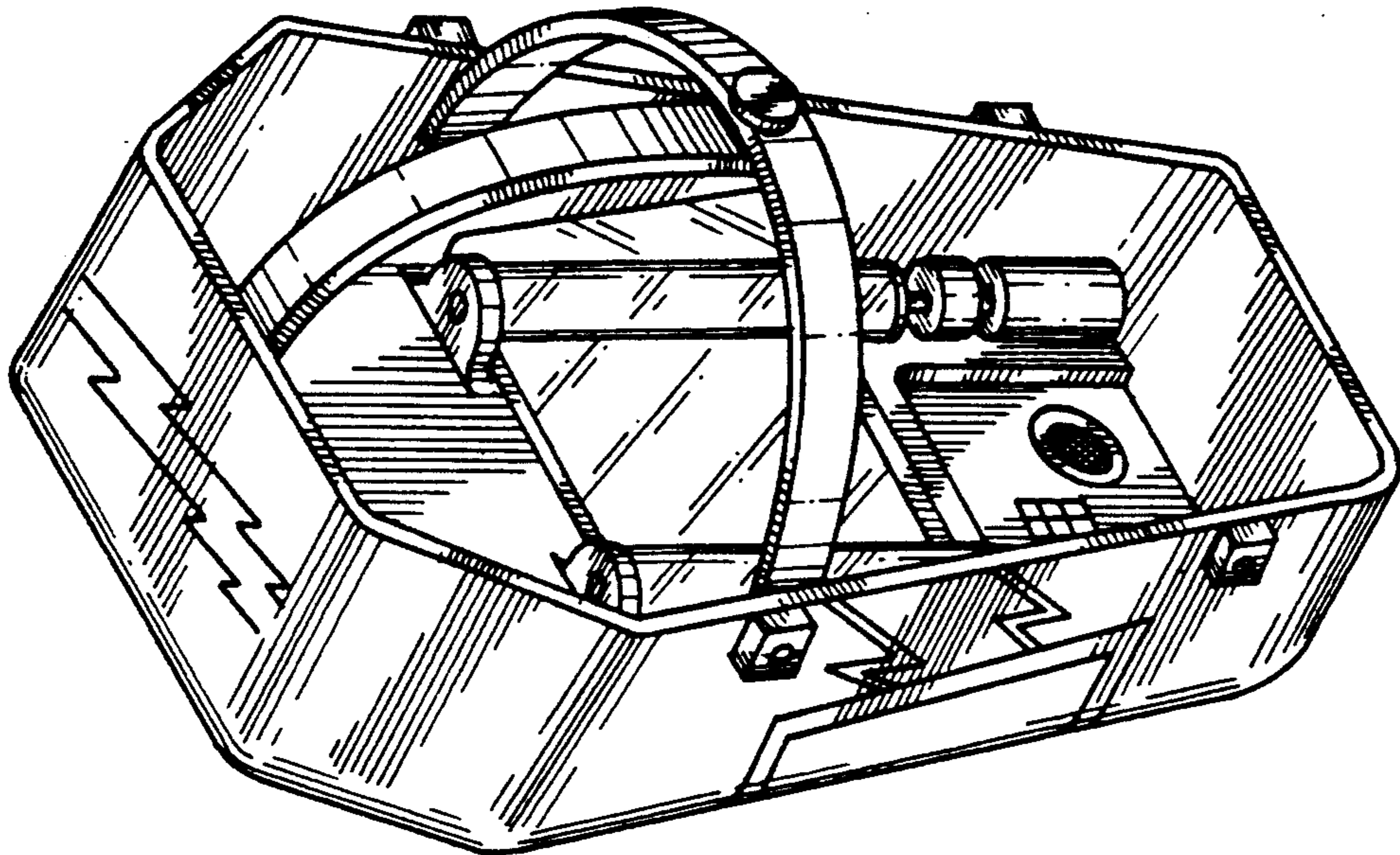


FIG. 6.

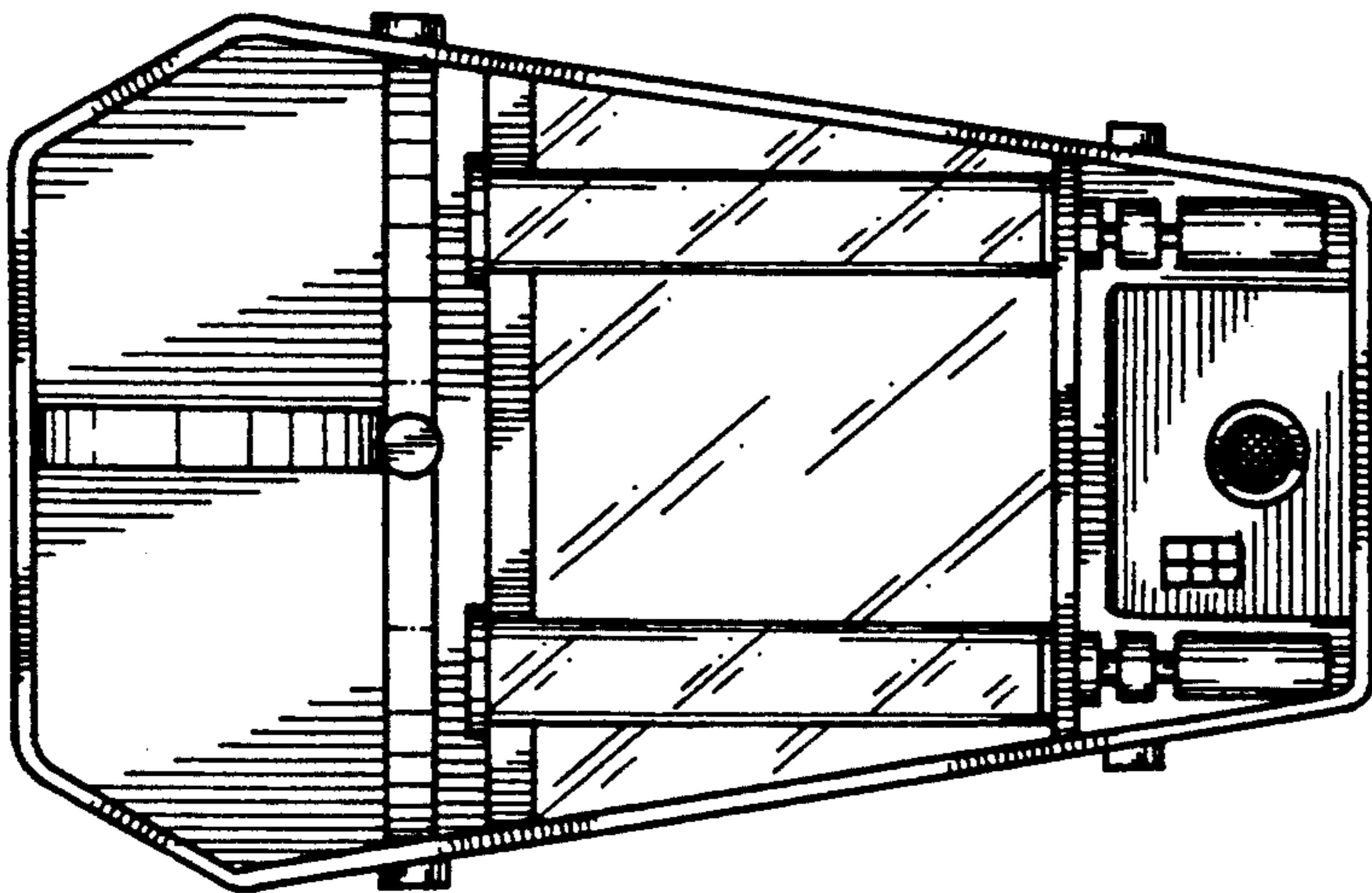


FIG. 5.