



US00D340545S

United States Patent [19]

[11] Patent Number: **Des. 340,545**

Kamata

[45] Date of Patent: **** Oct. 19, 1993**

[54] **HELMET**

[75] Inventor: **Eitaro Kamata**, Tokyo, Japan

[73] Assignee: **Shoei Kako Kabushiki Kaisha**,
Tokyo, Japan

[**] Term: **14 Years**

[21] Appl. No.: **705,250**

[22] Filed: **May 23, 1991**

[30] **Foreign Application Priority Data**

Jan. 24, 1991 [JP] Japan 3-1322

[52] U.S. Cl. **D29/15**

[58] Field of Search **D29/12-16;**
2/2, 410-412, 414, 417-418, 423-425

[56] **References Cited**

U.S. PATENT DOCUMENTS

D. 234,650	4/1975	Kamata	D29/15
D. 249,396	9/1978	Kamata	D29/15
D. 273,339	4/1984	Gevert	D29/15
D. 312,513	11/1990	Morin	D29/12
D. 330,096	10/1992	Heinrich	D29/15
D. 334,250	3/1993	Gallet	D29/15

OTHER PUBLICATIONS

JP Magazine "Mono", published on Oct. 1985, 2 pages.

Primary Examiner—Ruth McInroy
Attorney, Agent, or Firm—Armstrong, Westerman,
Hattori, McLeland & Naughton

[57] **CLAIM**

The ornamental design for a helmet, as shown and described.

DESCRIPTION

FIG. 1 is a perspective view of a helmet showing my new design;
FIG. 2 is a front elevational view thereof;
FIG. 3 is a rear elevational view thereof;
FIG. 4 is a top plan view thereof;
FIG. 5 is a bottom plan view thereof;
FIG. 6 is a left side elevational view thereof;
FIG. 7 is a right side elevational view thereof;
FIG. 8 is a sectional view taken along line 8—8 in FIG. 2; and,
FIG. 9 is a perspective view thereof with the shield plate in an open position.

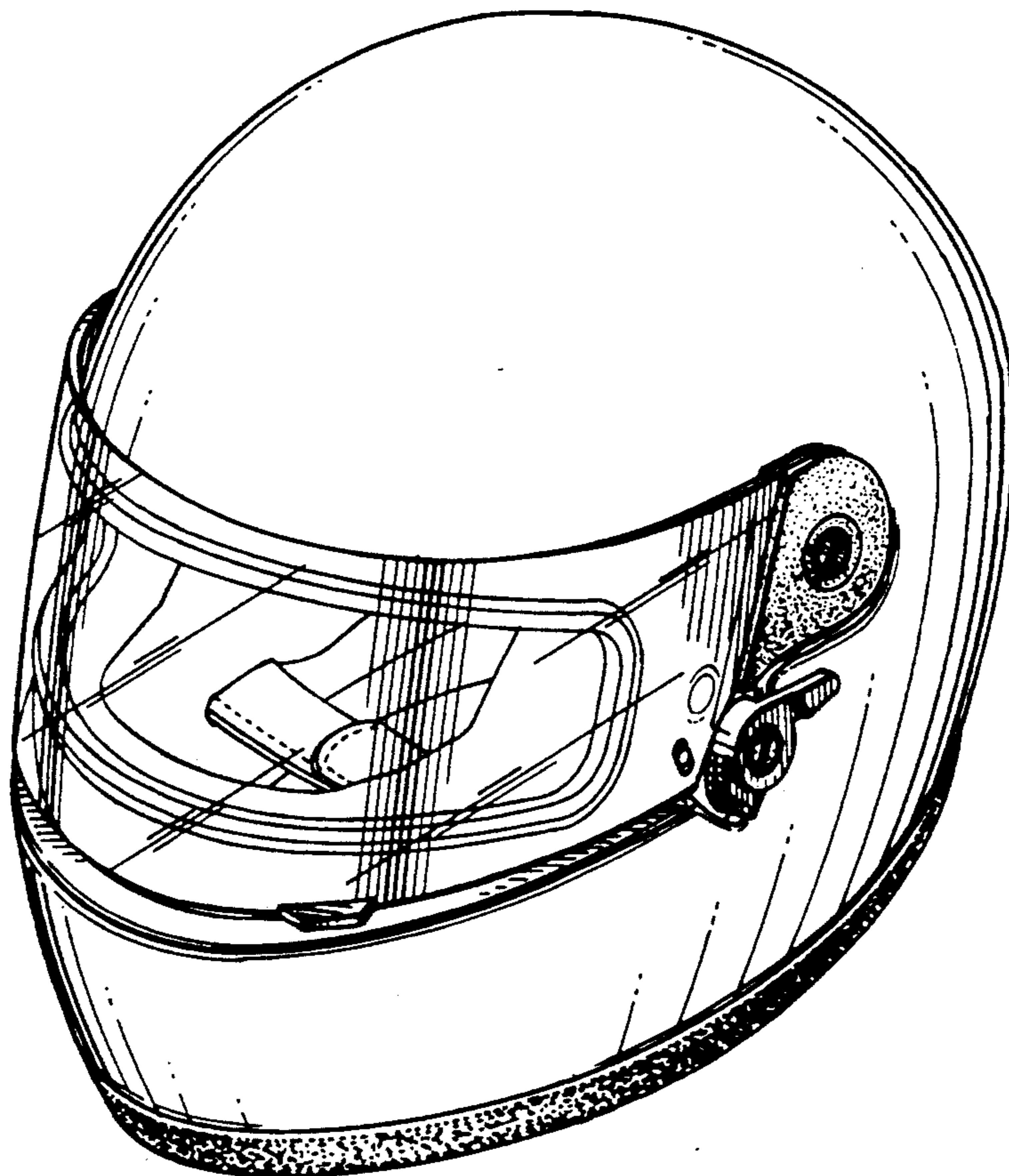


FIG. 1

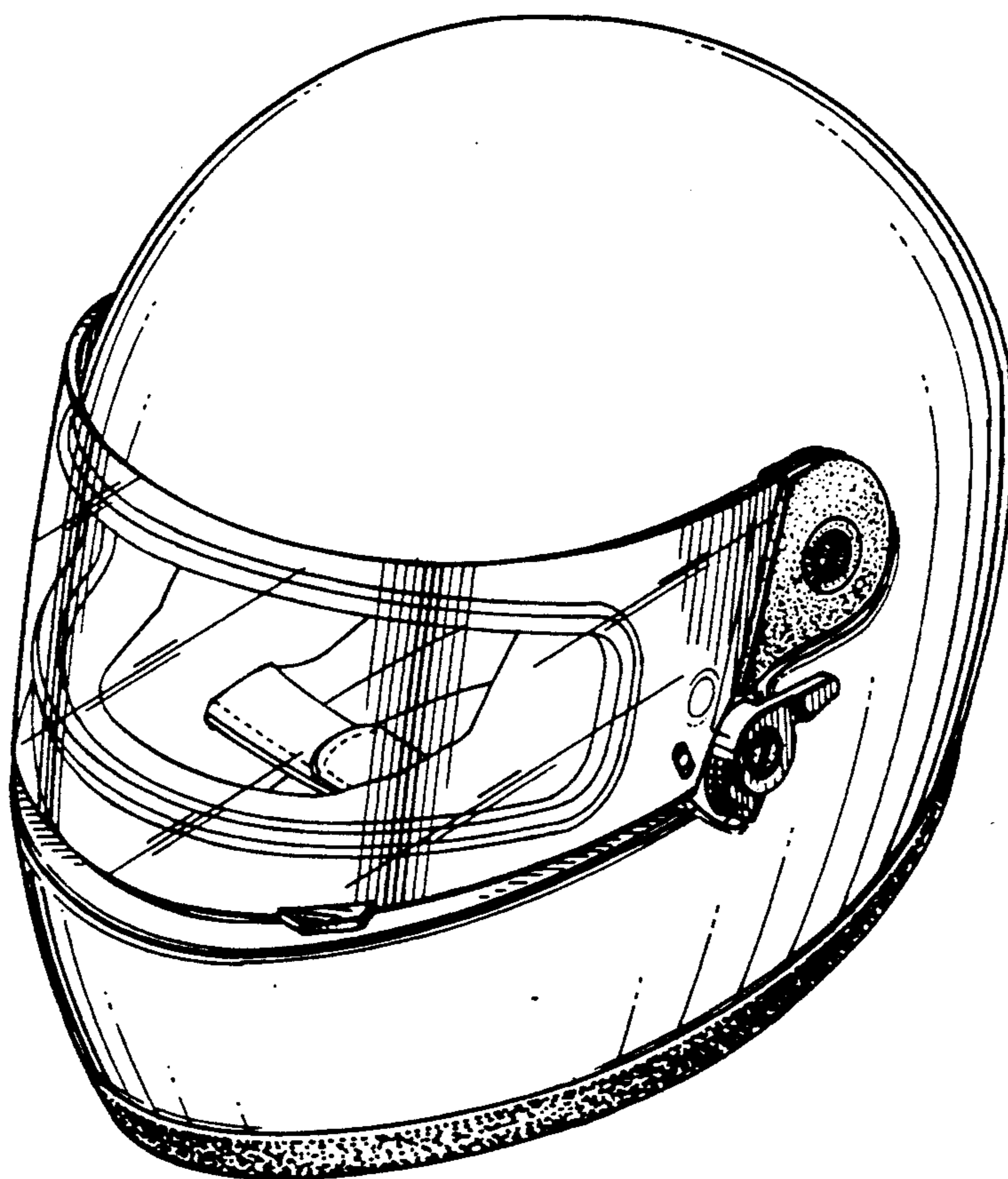


FIG. 3

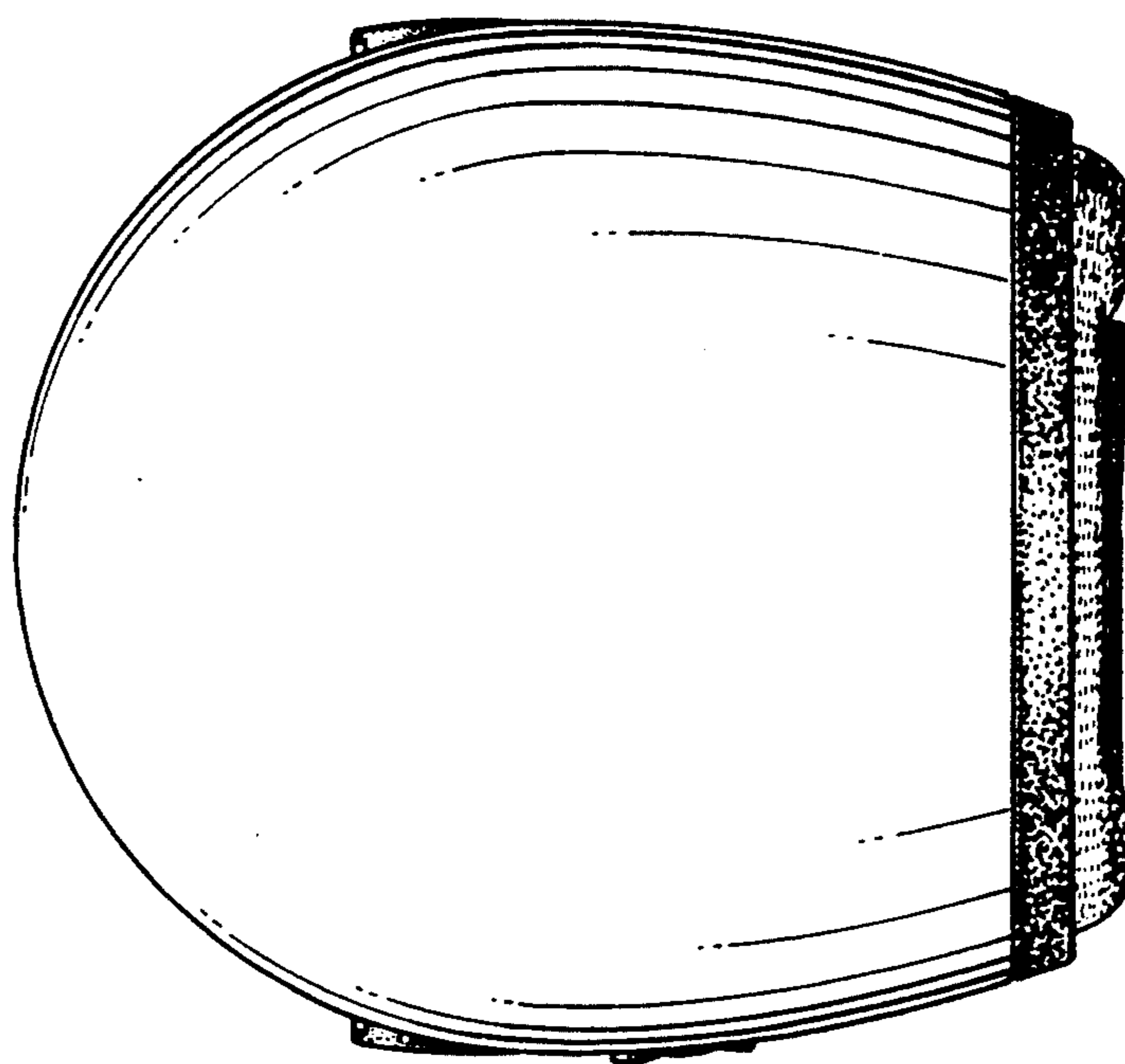


FIG. 2

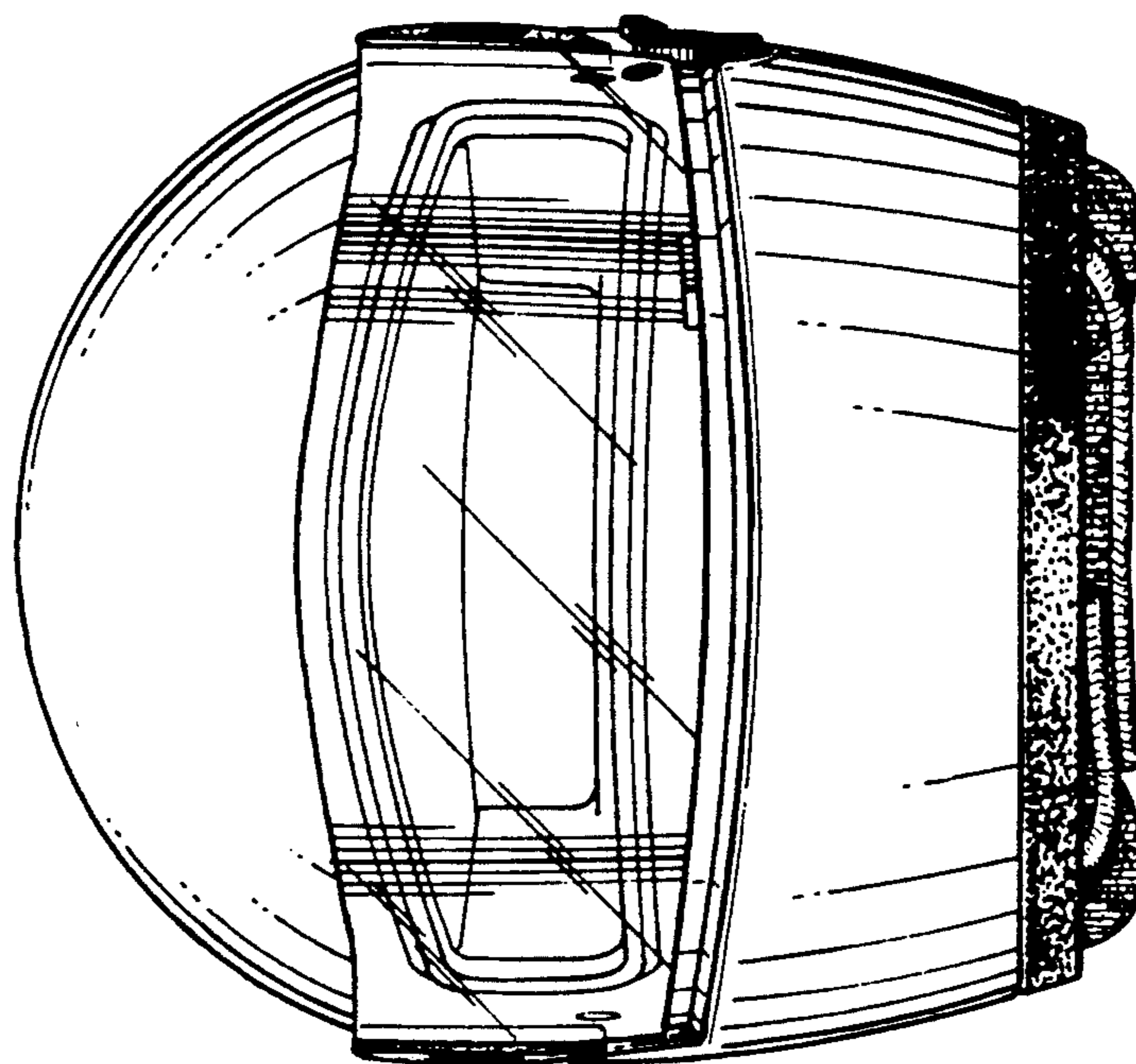


FIG. 5

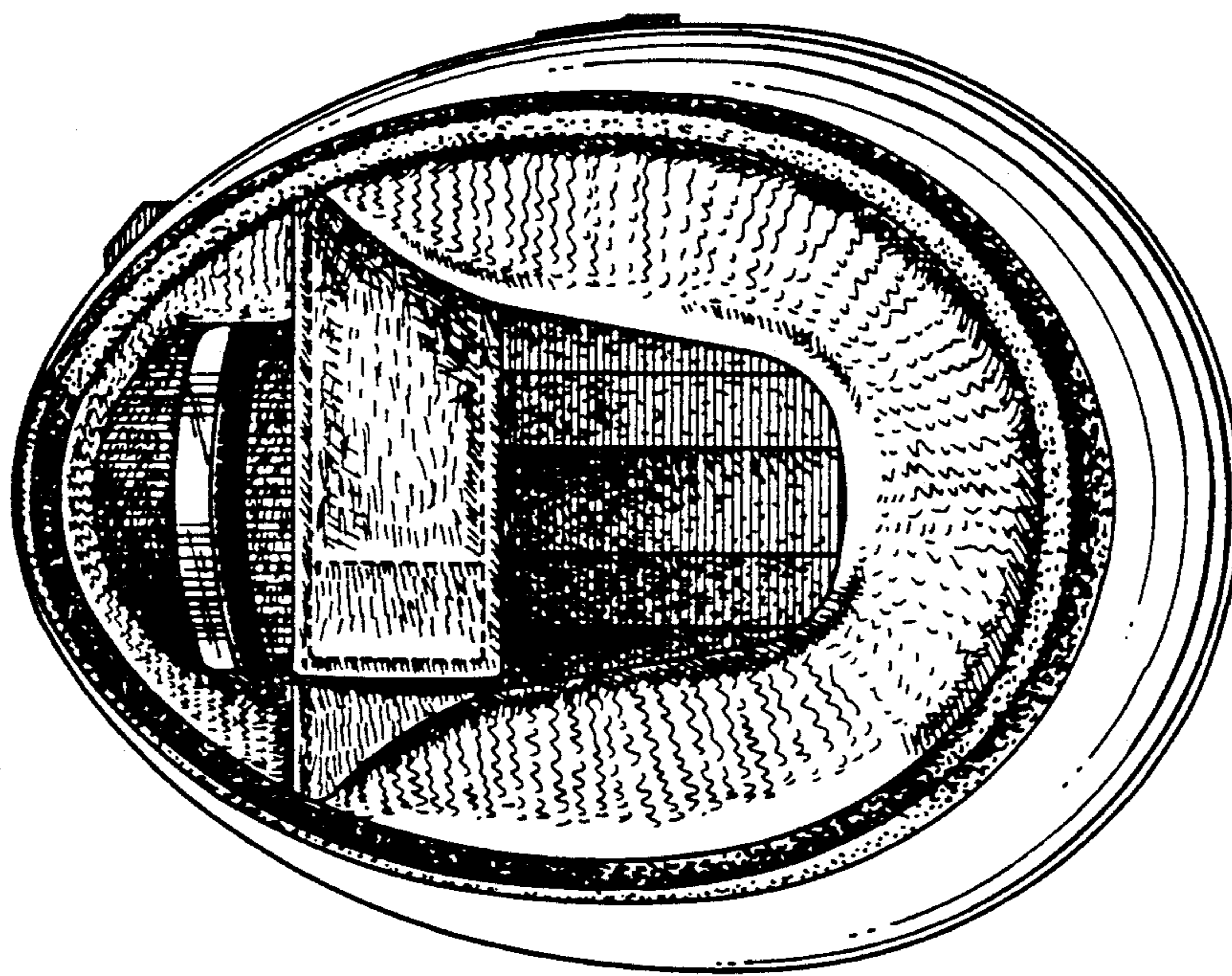


FIG. 4

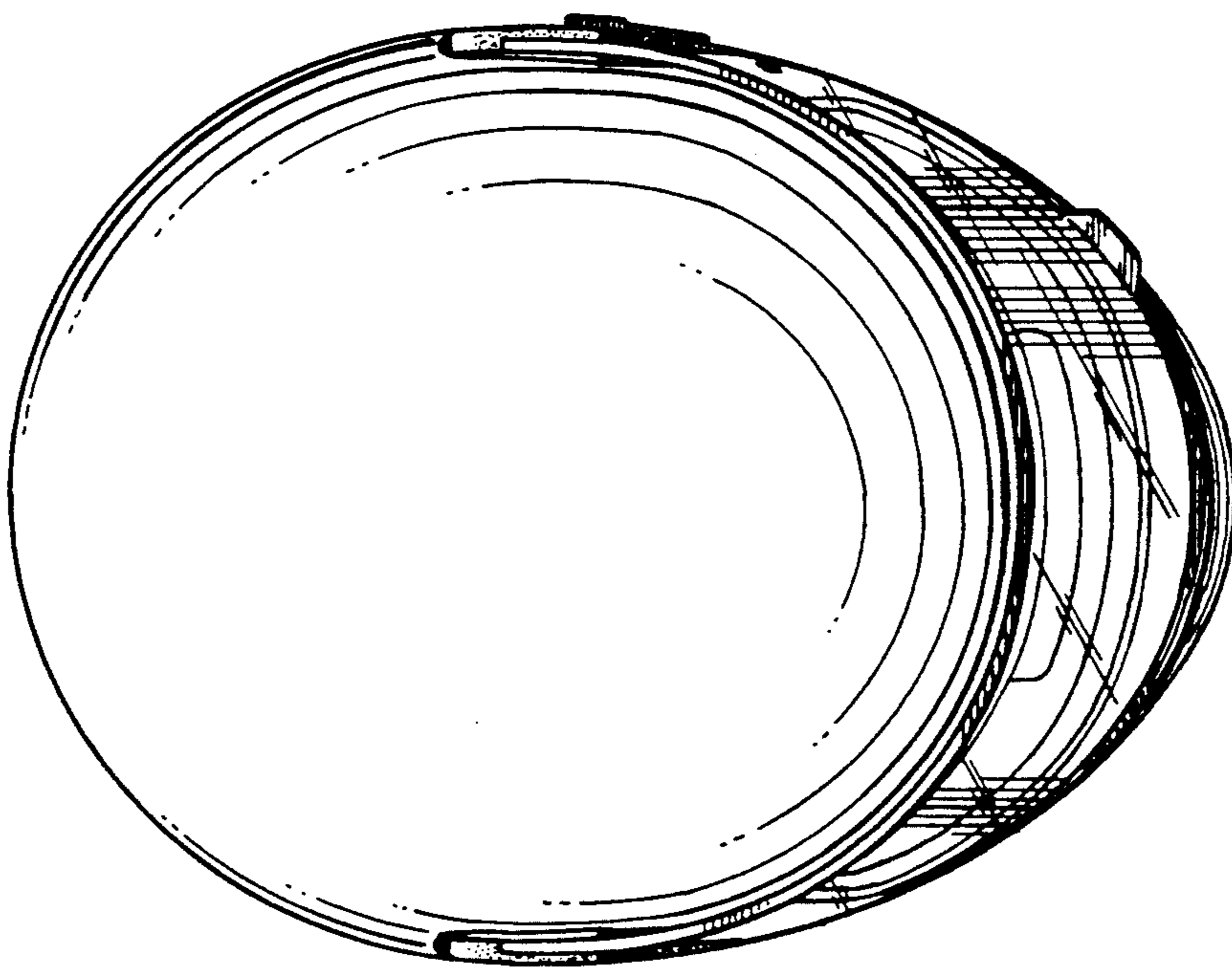


FIG. 6

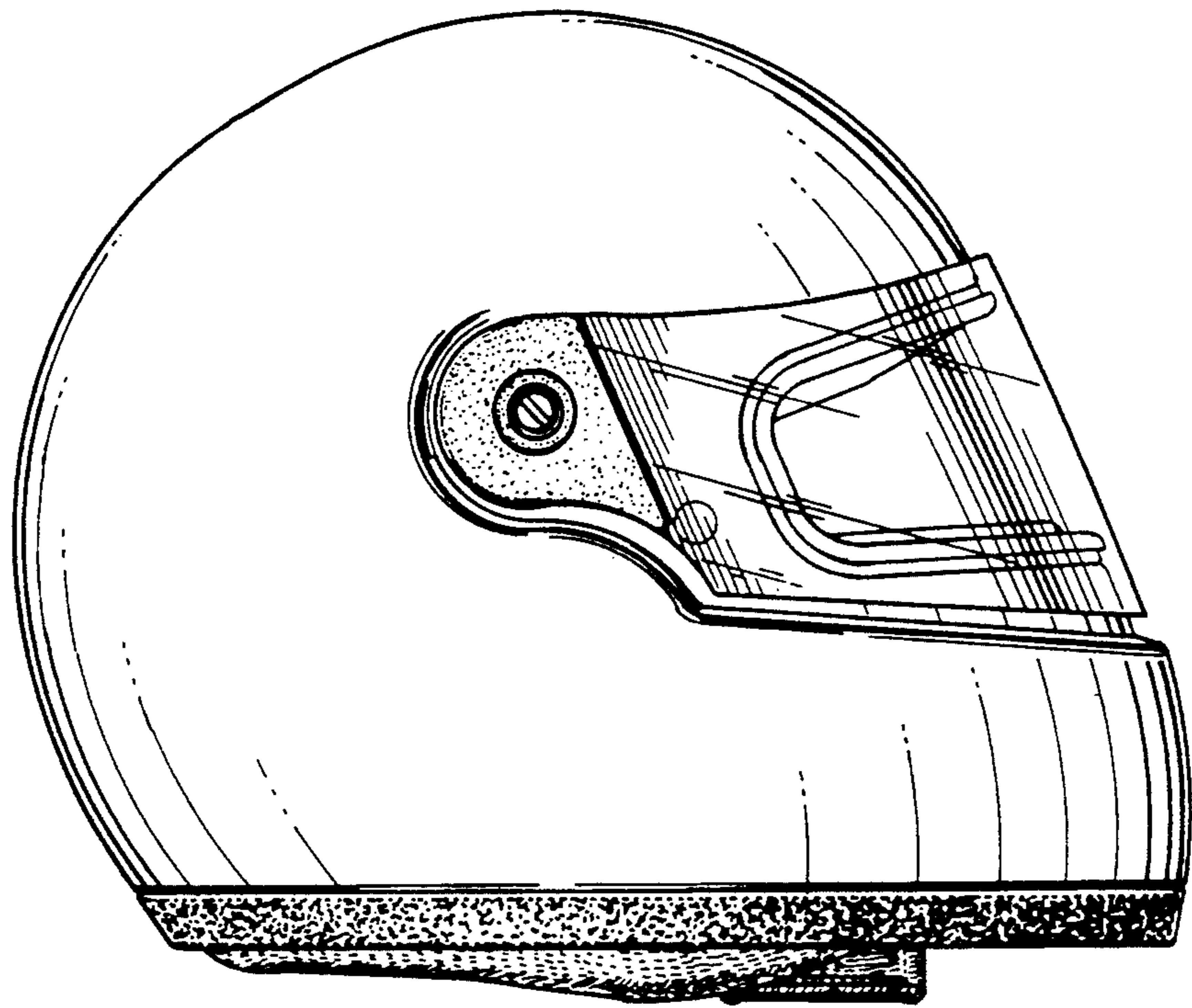


FIG. 7

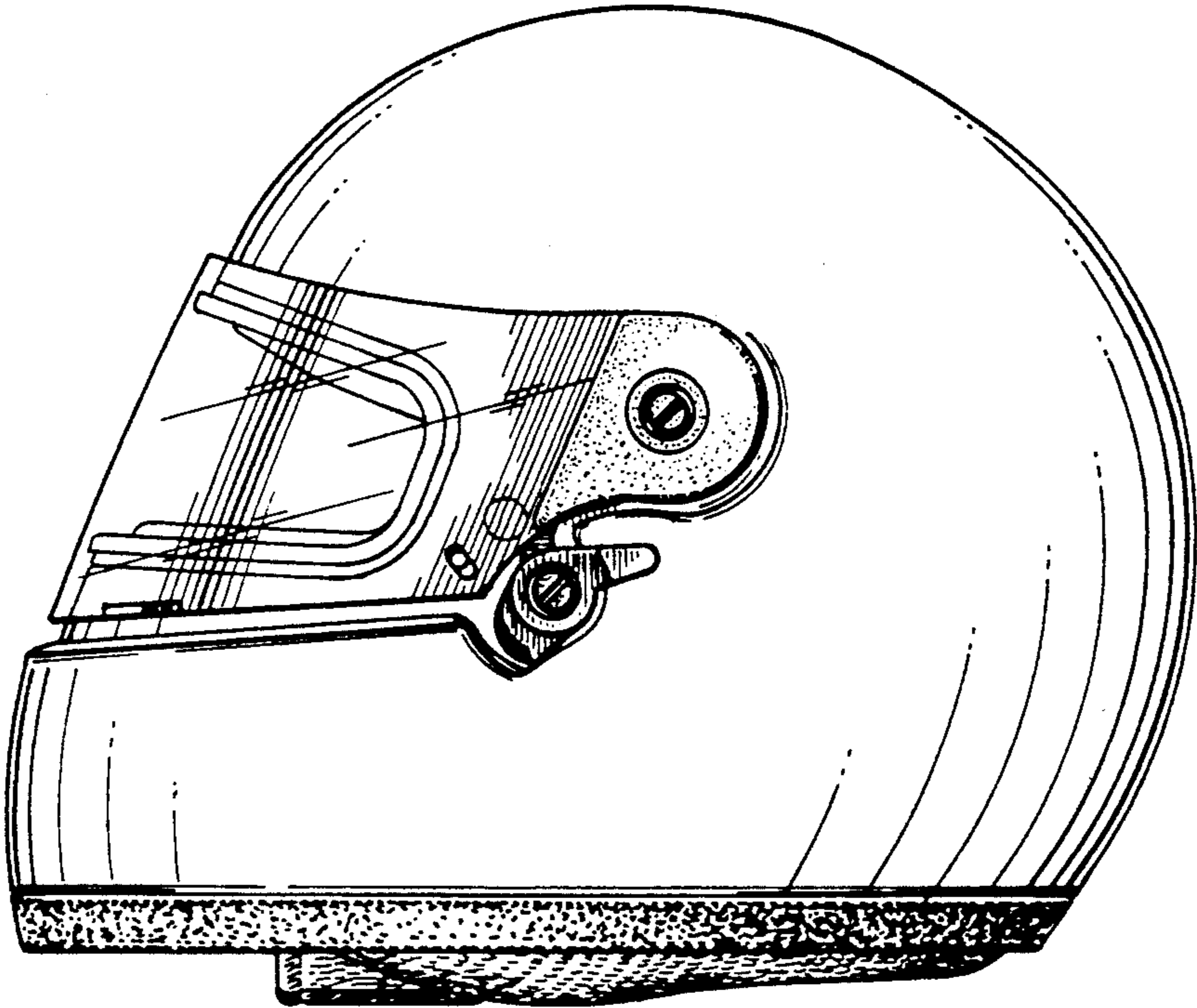


FIG. 8

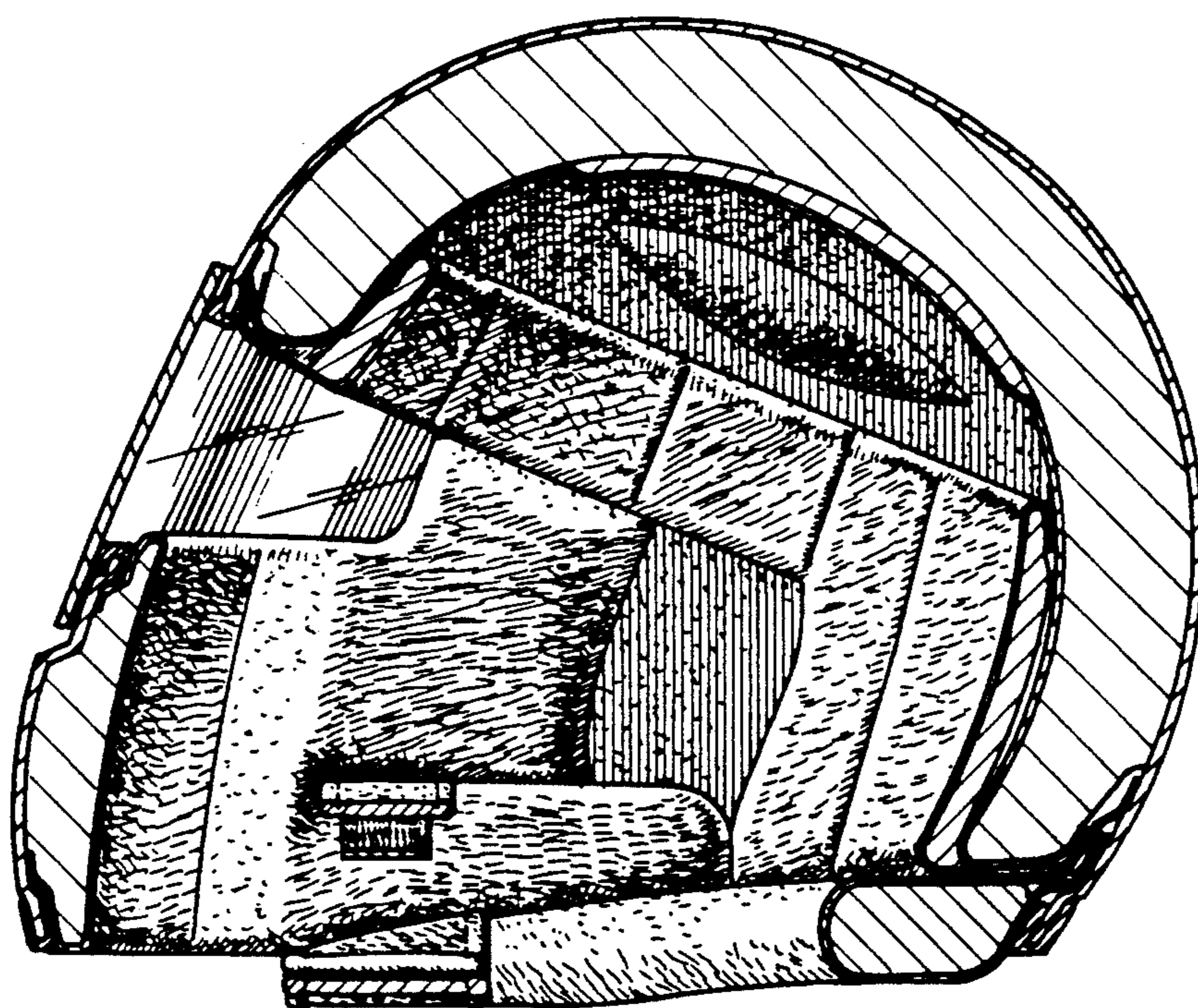
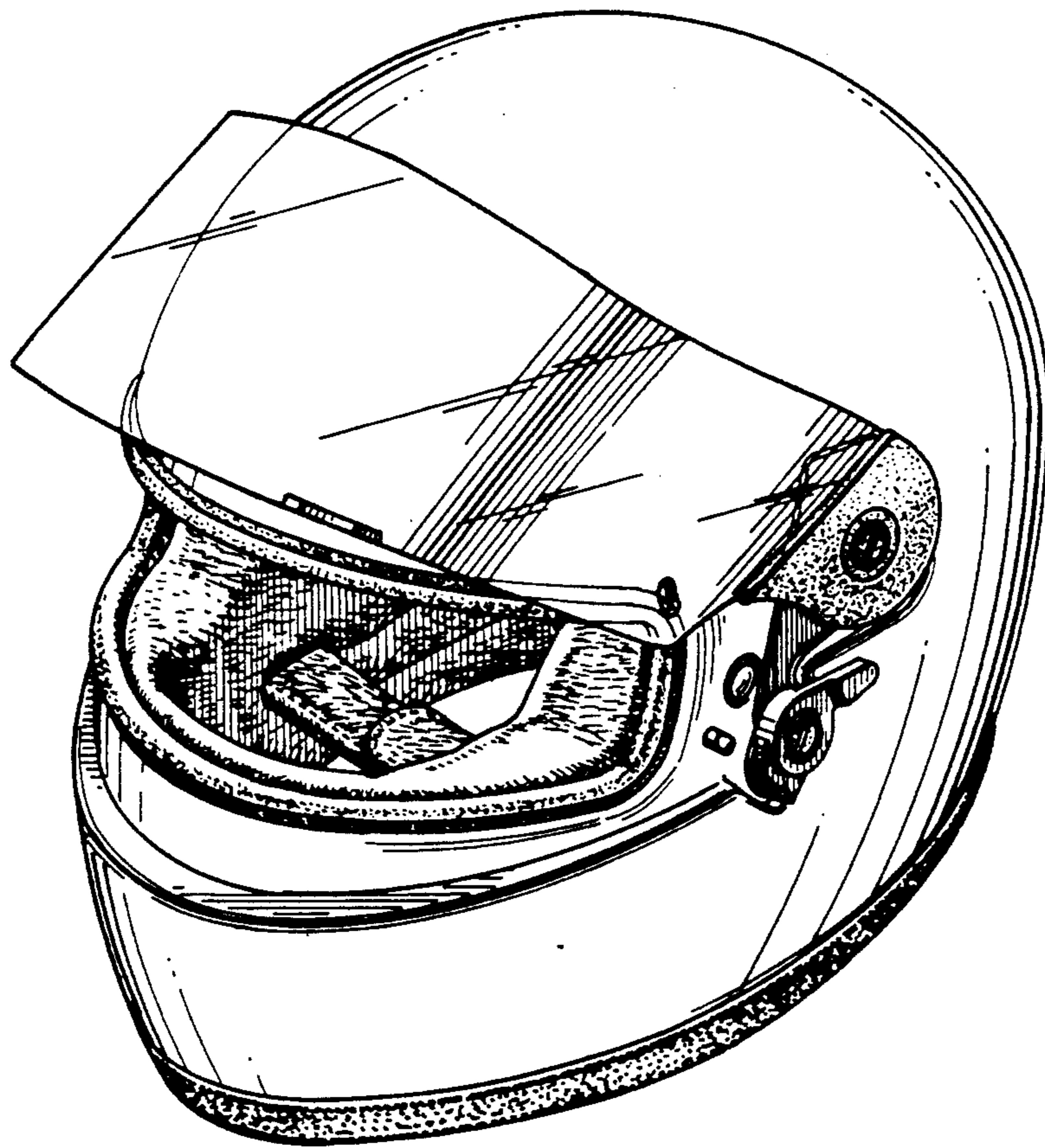


FIG. 9



UNITED STATES PATENT AND TRADEMARK OFFICE
CERTIFICATE OF CORRECTION

PATENT NO. : Des. 340,545
DATED : October 19, 1993
INVENTOR(S) : Eitaro Kamata

It is certified that error appears in the above-identified patent and that said Letters Patent is hereby corrected as shown below:

On the title page, item (21) "705,250" should read--705,260--.

Signed and Sealed this
Seventh Day of June, 1994

Attest:



BRUCE LEHMAN

Attesting Officer

Commissioner of Patents and Trademarks