



US00D340538S

United States Patent [19]

[11] Patent Number: **Des. 340,538**

Porter

[45] Date of Patent: **** Oct. 19, 1993**

[54] CHANDELIER

[75] Inventor: **David H. Porter, Chagrin Falls, Ohio**

[73] Assignee: **The L. D. Kichler Co., Cleveland, Ohio**

[**] Term: **14 Years**

[21] Appl. No.: **894,216**

[22] Filed: **Jun. 2, 1992**

[52] U.S. Cl. **D26/81**

[58] Field of Search **D26/72, 80-92, D26/143, 144, 145; 362/147, 404-408, 432**

[56] **References Cited.**

U.S. PATENT DOCUMENTS

D. 63,523	12/1923	Warman	D26/81
D. 63,527	12/1923	Warman	D26/81
3,300,635	1/1967	Ramsey, Jr.	362/405

OTHER PUBLICATIONS

Home Lighting & Accessories, Jul. 1989, p. 66, Columbus Lighting, Inc. Chandelier.

Primary Examiner—Susan J. Lucas
Attorney, Agent, or Firm—Watts, Hoffmann, Fisher & Heinke

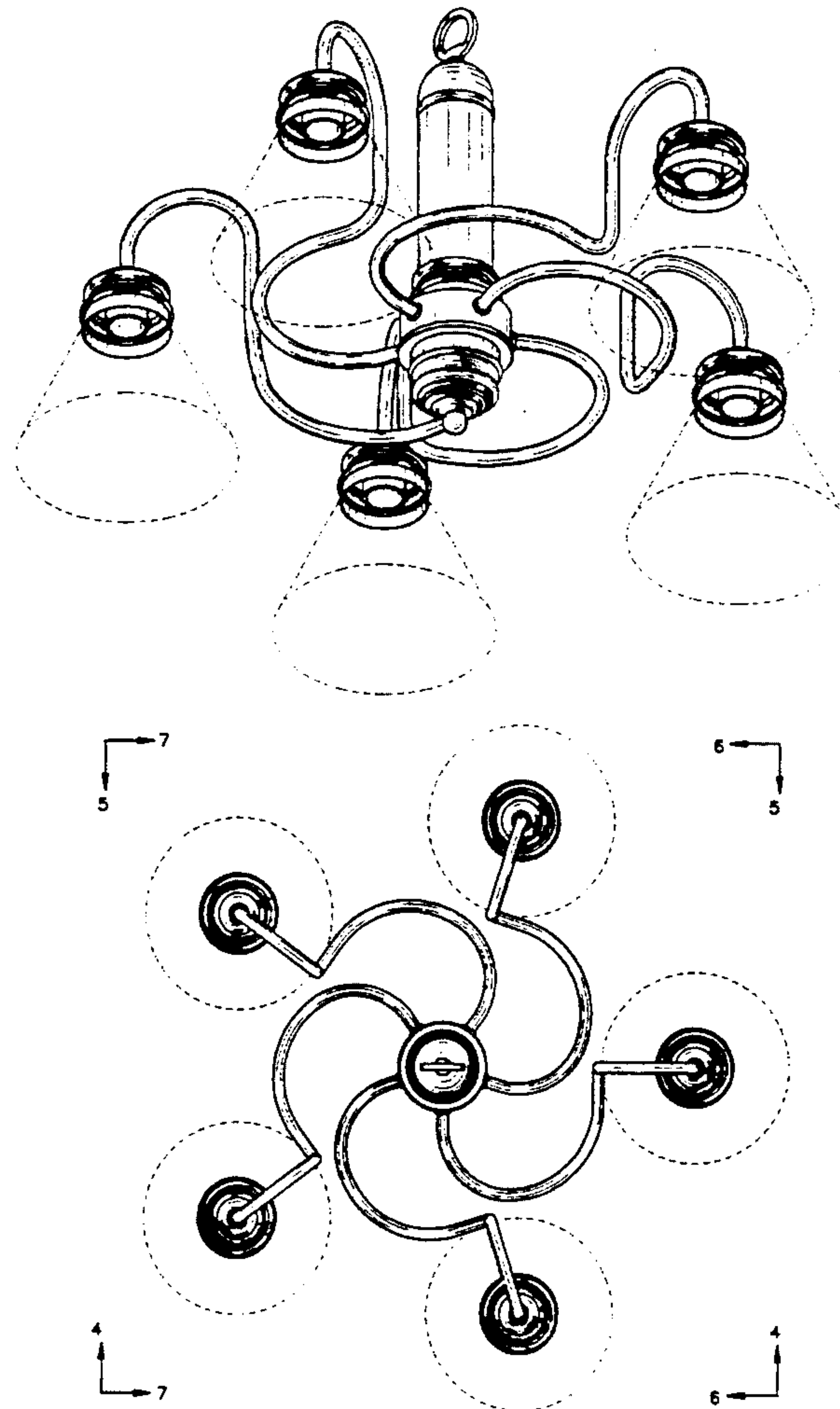
[57] **CLAIM**

The ornamental design for a chandelier, as shown and described.

DESCRIPTION

FIG. 1 is a perspective view of a chandelier showing my new design;
 FIG. 2 is a top plan view thereof;
 FIG. 3 is a bottom plan view thereof;
 FIG. 4 is a front elevational view as seen approximately from the plane indicated by the line 4—4 in FIG. 2;
 FIG. 5 is a rear elevational view as seen approximately from the plane indicated by the line 5—5 in FIG. 2;
 FIG. 6 is a right side elevational view as seen approximately from the plane indicated by the line 6—6 of FIG. 2; and,
 FIG. 7 is a left side elevational view as seen approximately from the plane indicated by the line 7—7 of FIG. 2.

The broken lines are shown for illustrative purposes only.



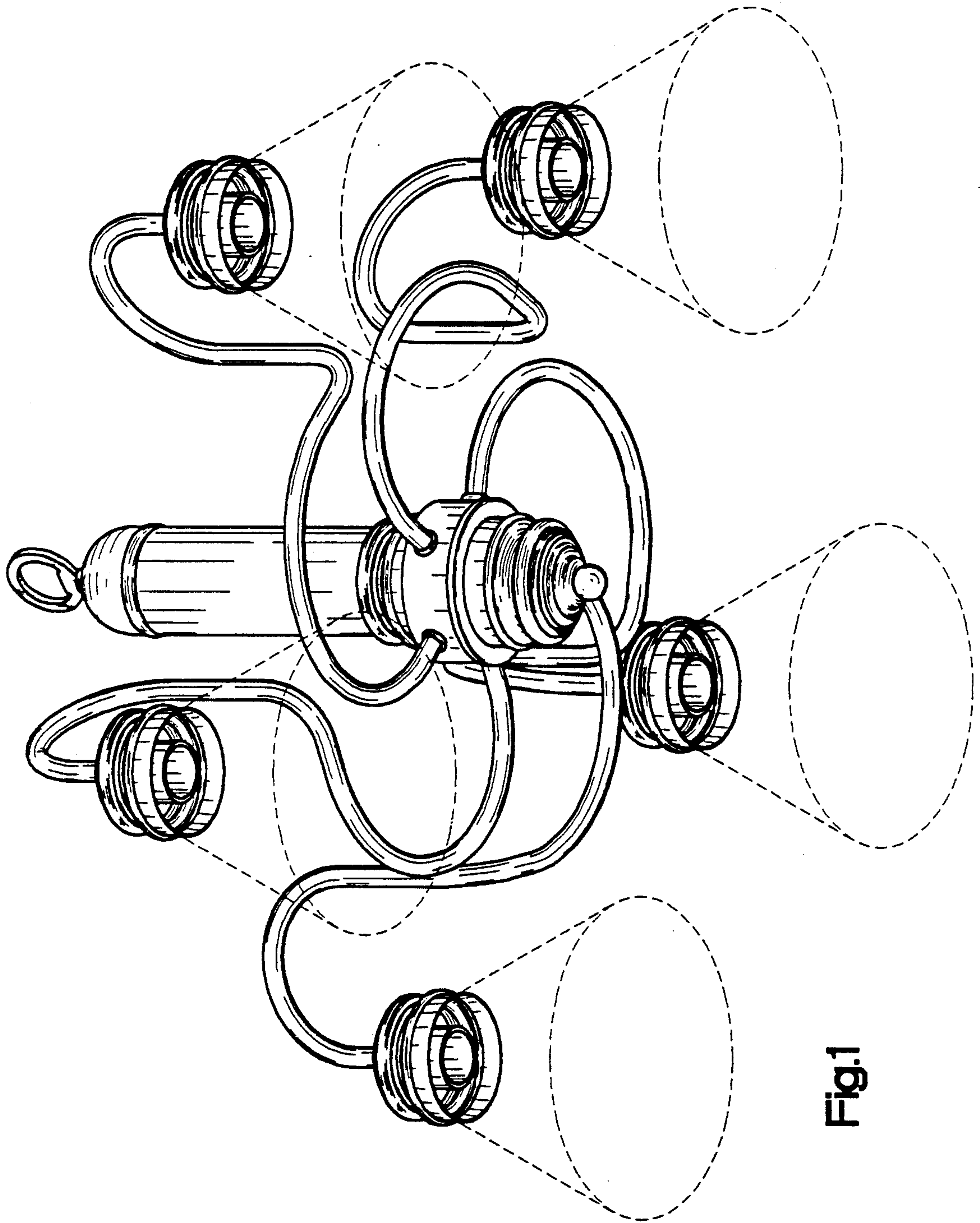


Fig. 1

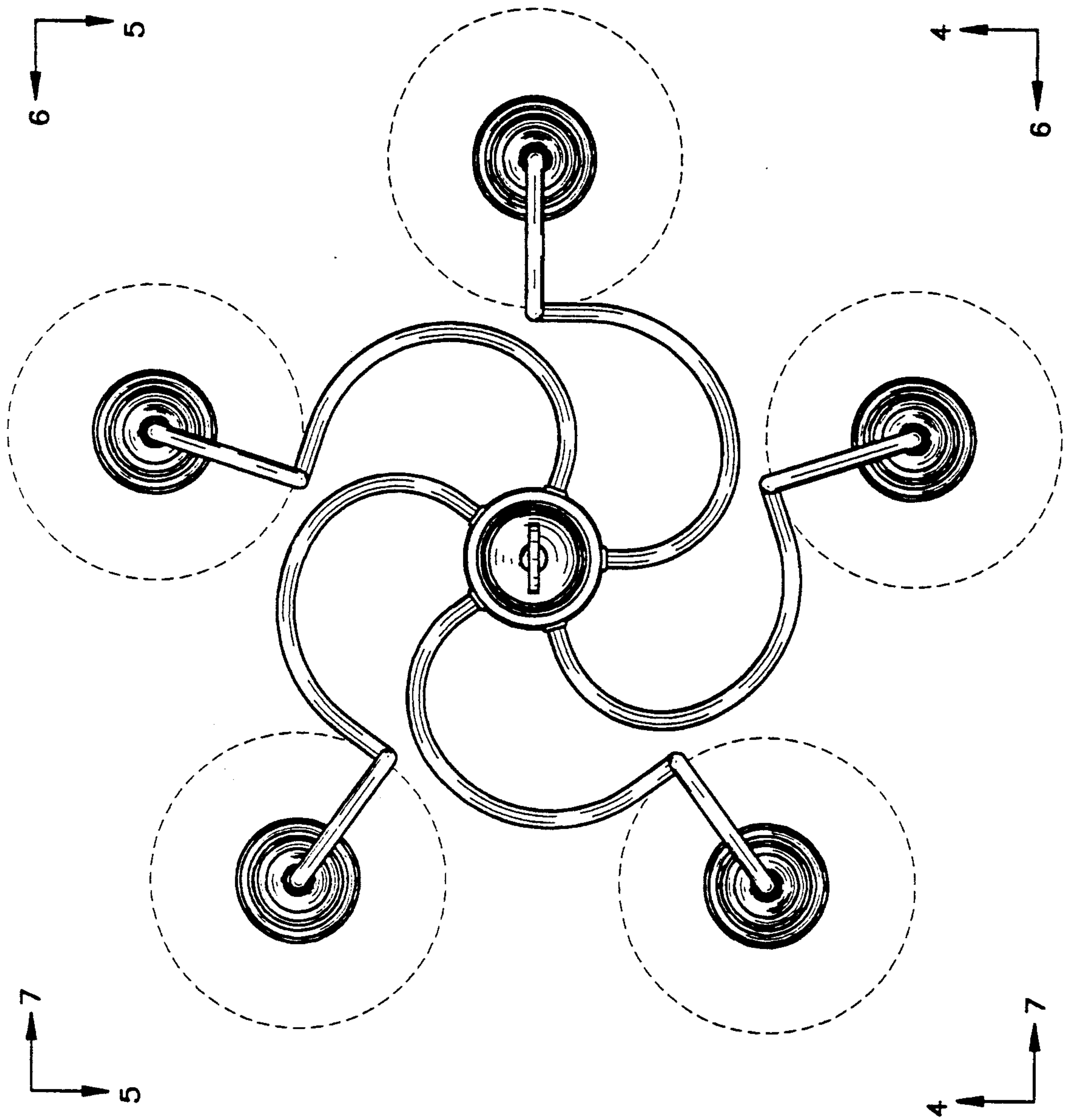


Fig.2

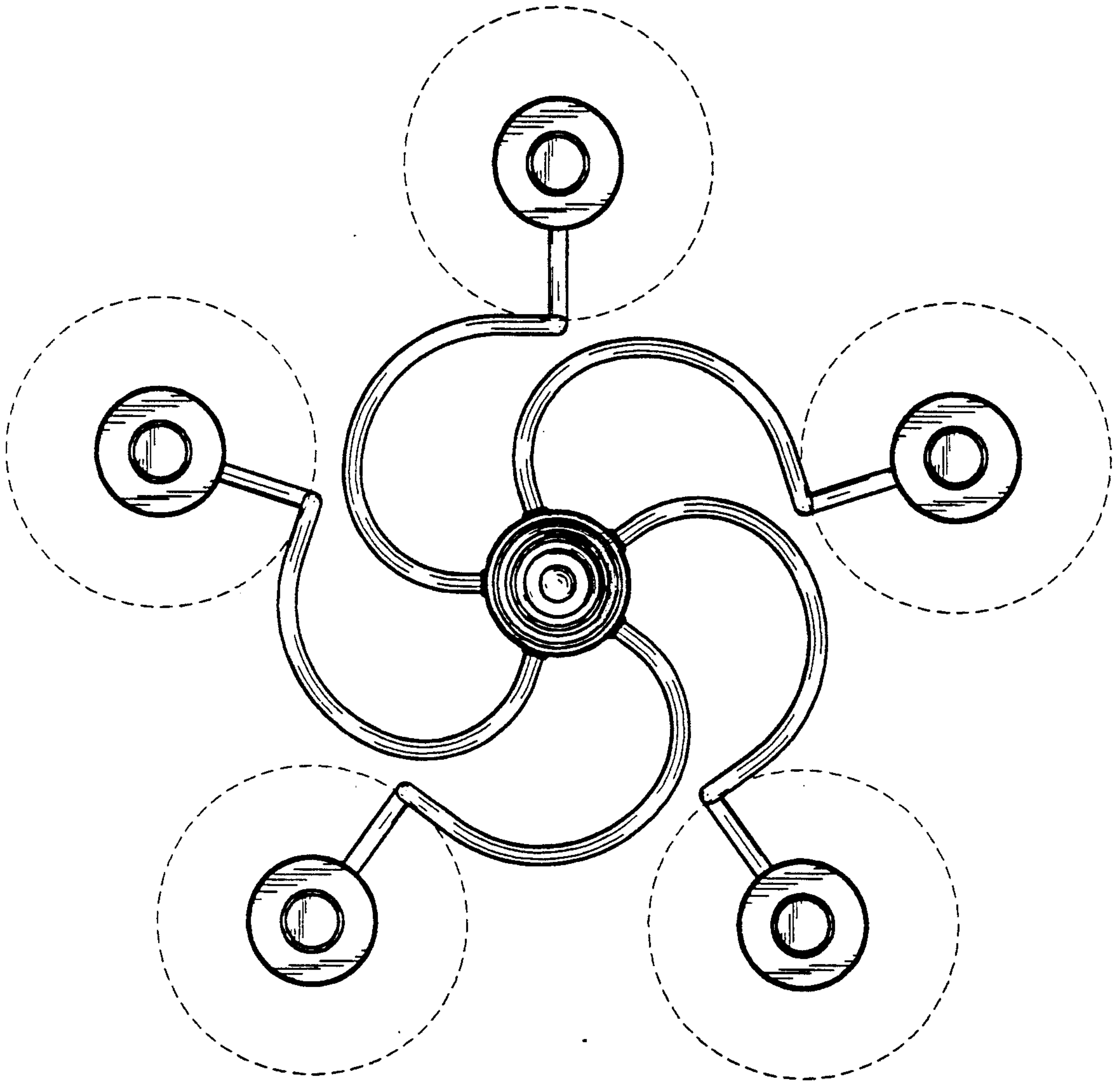


Fig.3

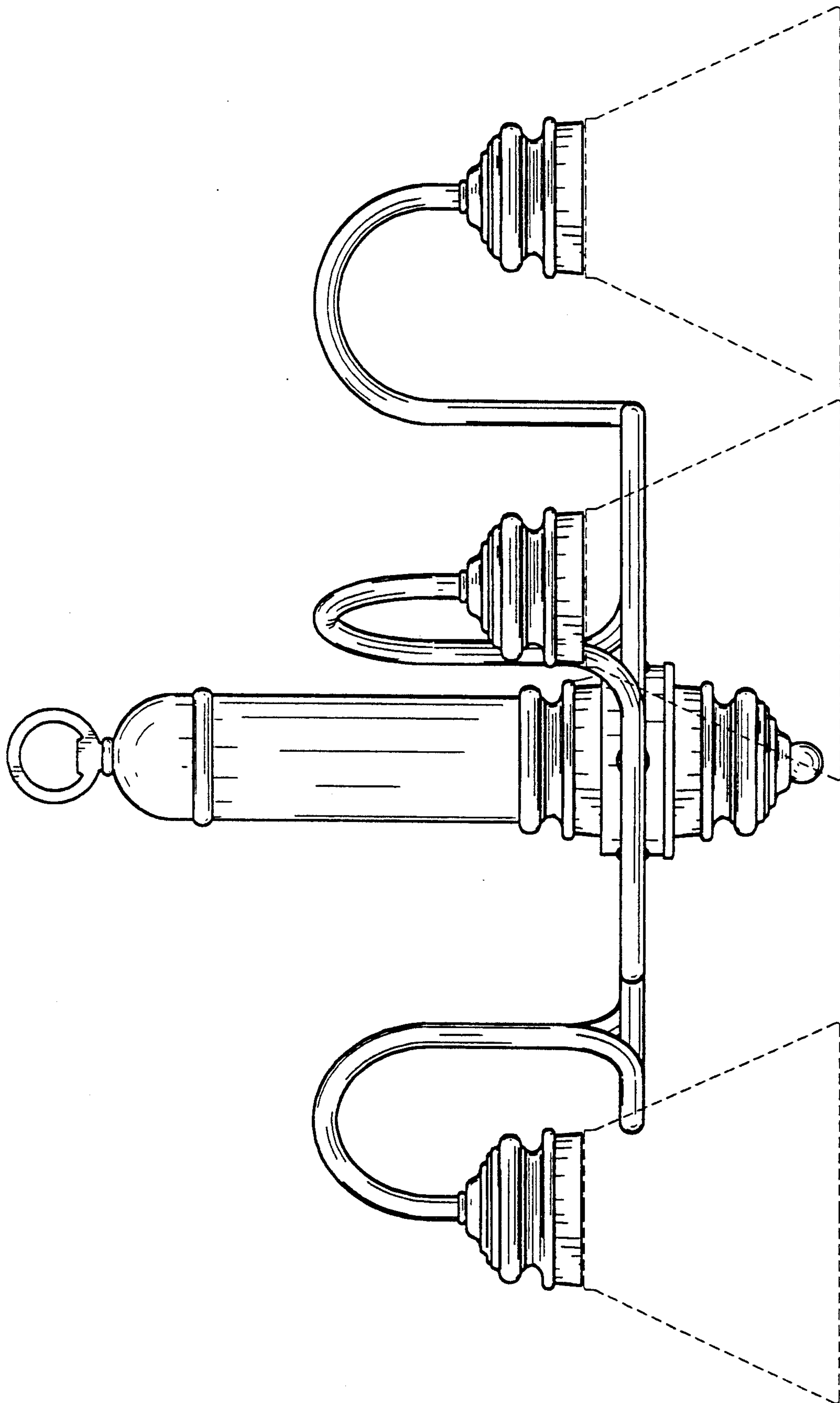


Fig.4

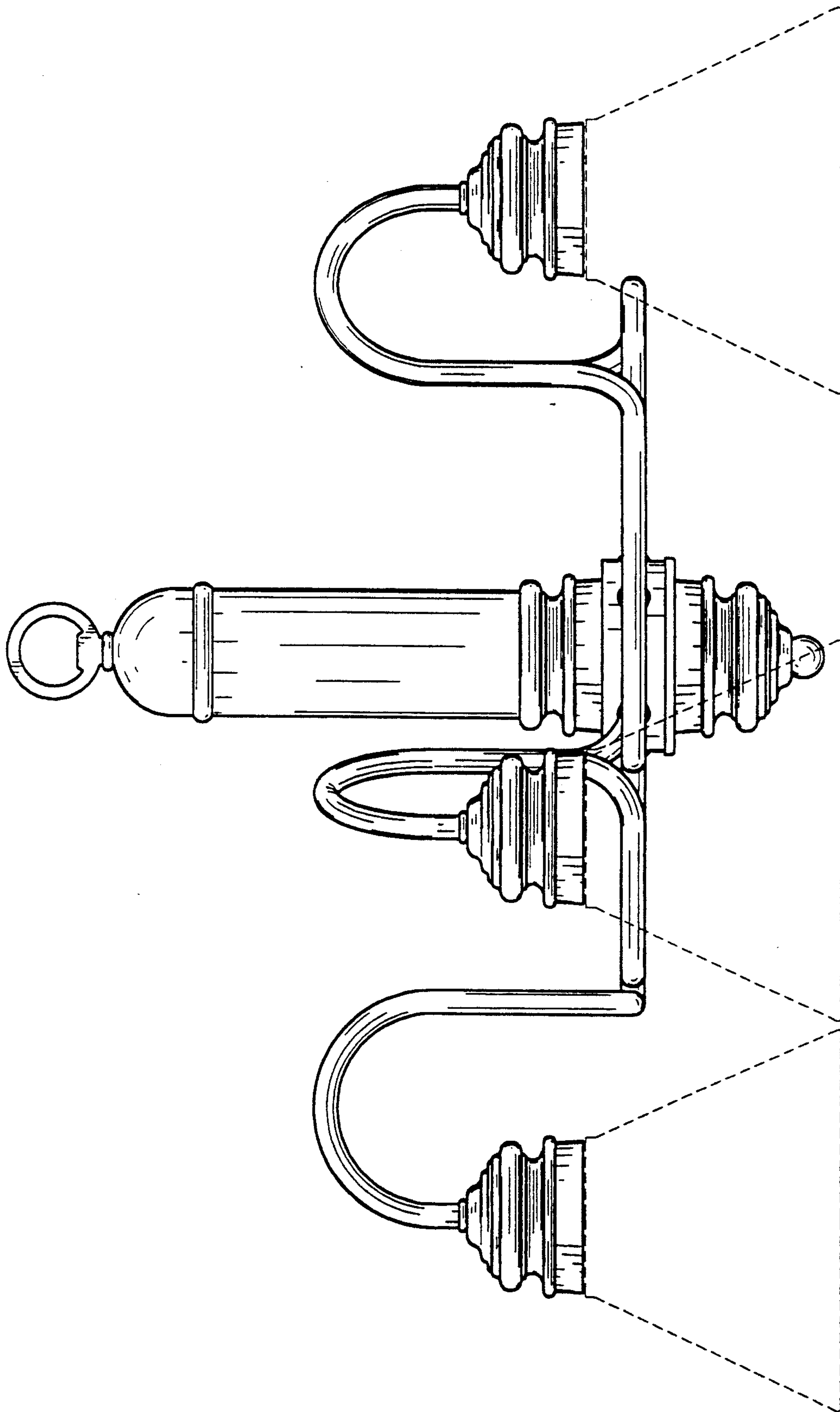


Fig.5

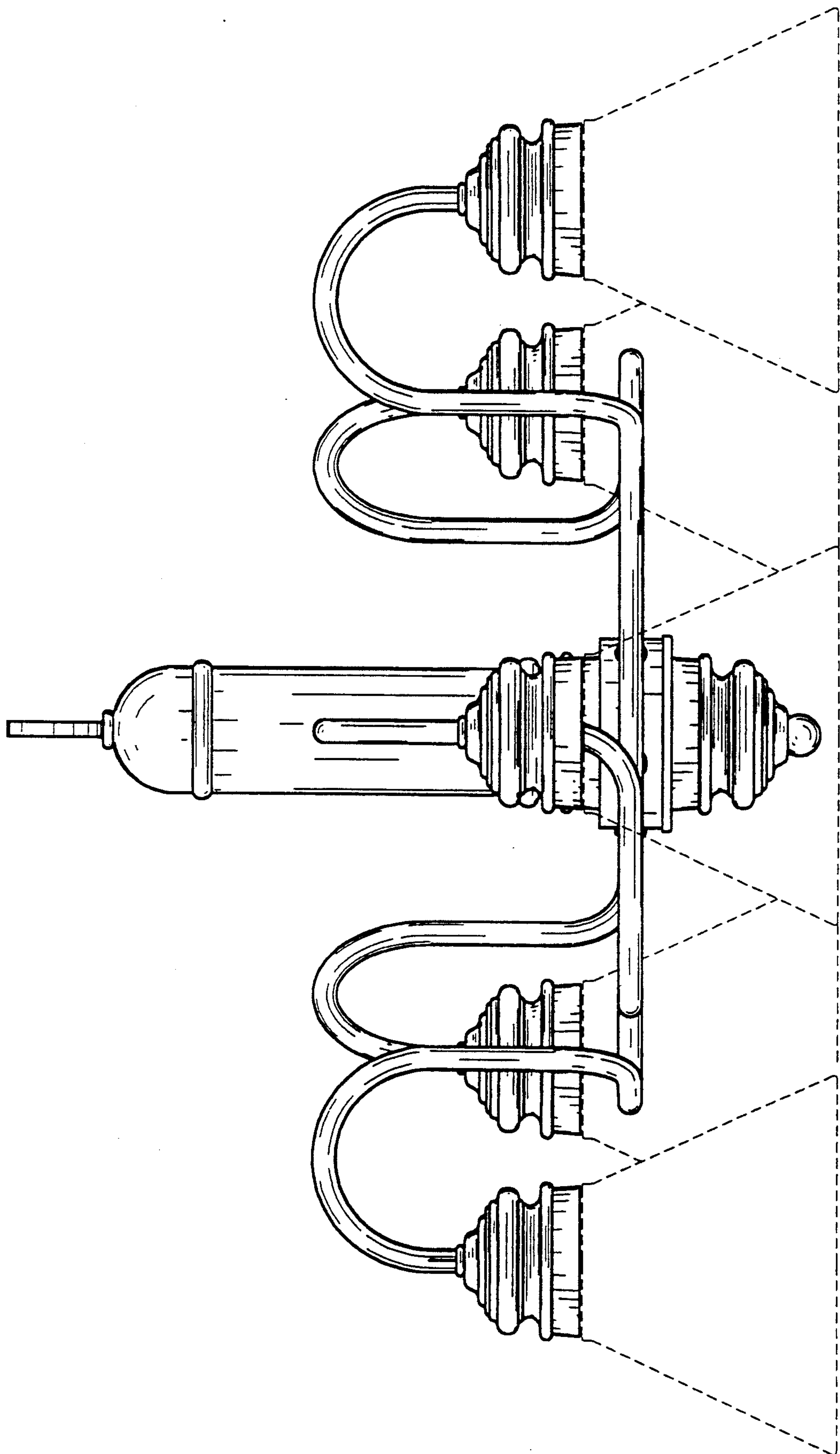


Fig.6

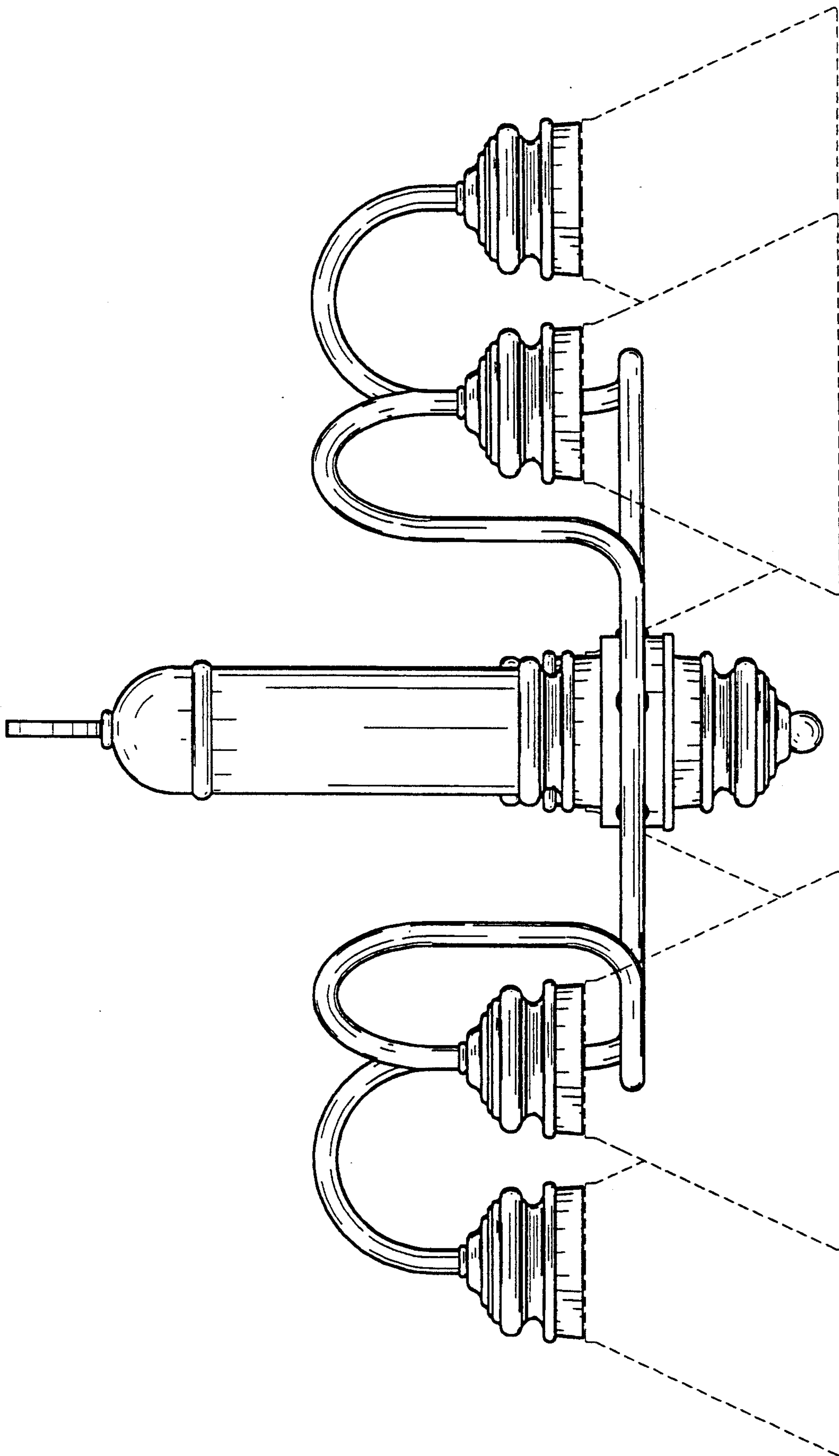


Fig. 7