



US00D340537S

# United States Patent [19]

[11] Patent Number: **Des. 340,537**

**Roberts, III**

[45] Date of Patent: **\*\* Oct. 19, 1993**

[54] **COUNTERWEIGHTED LAMP**

D. 333,880 3/1993 Huang ..... D26/65  
4,974,135 11/1990 Wen-Tsung ..... 362/413 X

[75] Inventor: **Rockwood T. Roberts, III**, Midland Park, N.J.

*Primary Examiner*—Susan J. Lucas  
*Attorney, Agent, or Firm*—Kirschstein, Ottinger, Israel and Schiffmiller

[73] Assignee: **C. N. Burman Co.**, Paterson, N.J.

[\*\*] Term: **14 Years**

[57] **CLAIM**

[21] Appl. No.: **889,314**

The ornamental design for a counterweighted lamp, as shown and described.

[22] Filed: **May 28, 1992**

**DESCRIPTION**

[52] U.S. Cl. .... **D26/65**

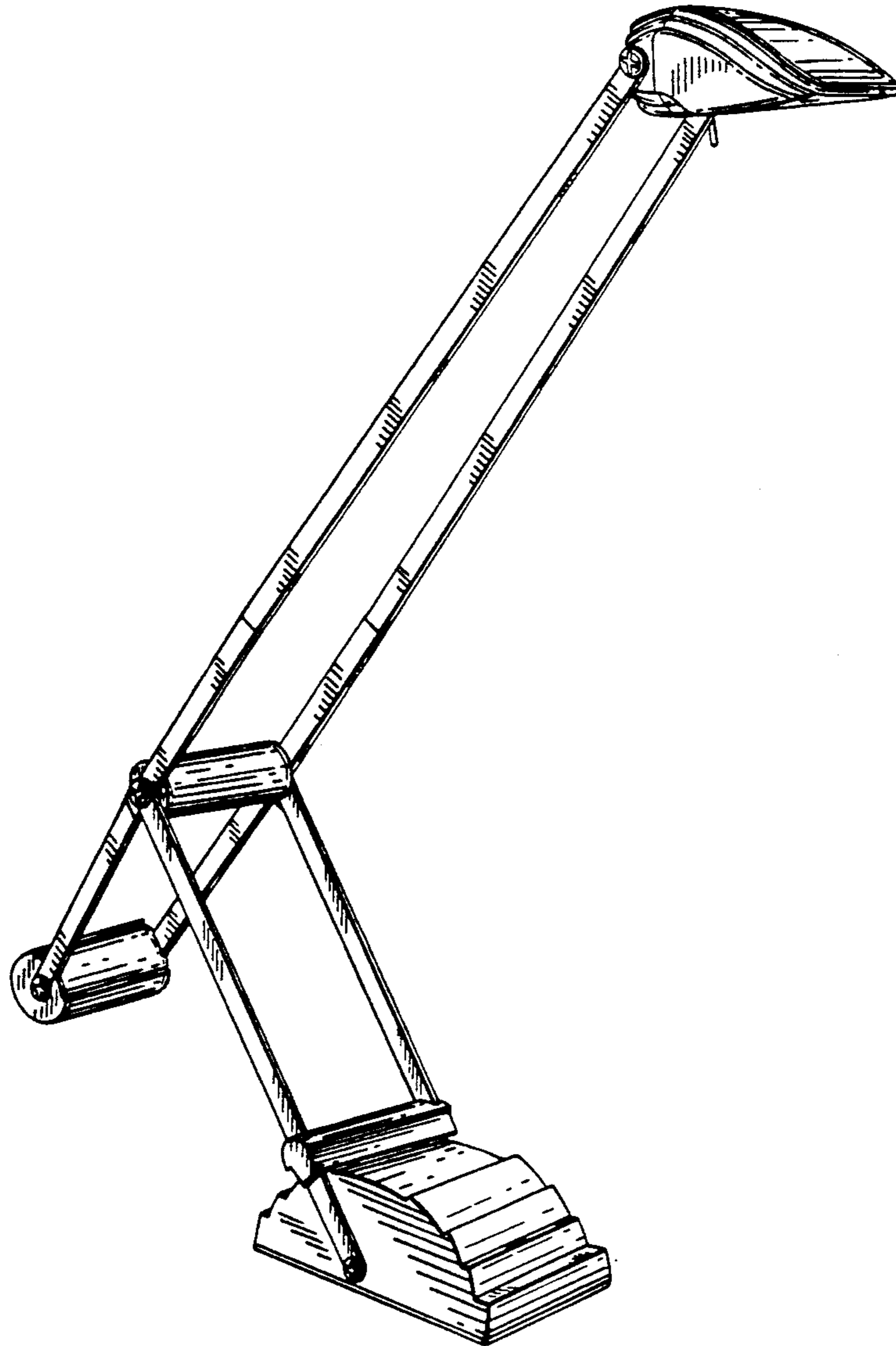
[58] Field of Search ..... **D26/60-65;**  
362/410-414, 417, 418, 427, 269, 275, 285, 01

FIG. 1 is a front perspective view of a counterweighted lamp showing my new design;  
FIG. 2 is a top plan view thereof with the lamp and counterweight in a horizontal plane;  
FIG. 3 is a left side elevational view thereof;  
FIG. 4 is a front elevational view thereof;  
FIG. 5 is a rear elevational view thereof; and,  
FIG. 6 is a bottom plan view thereof.

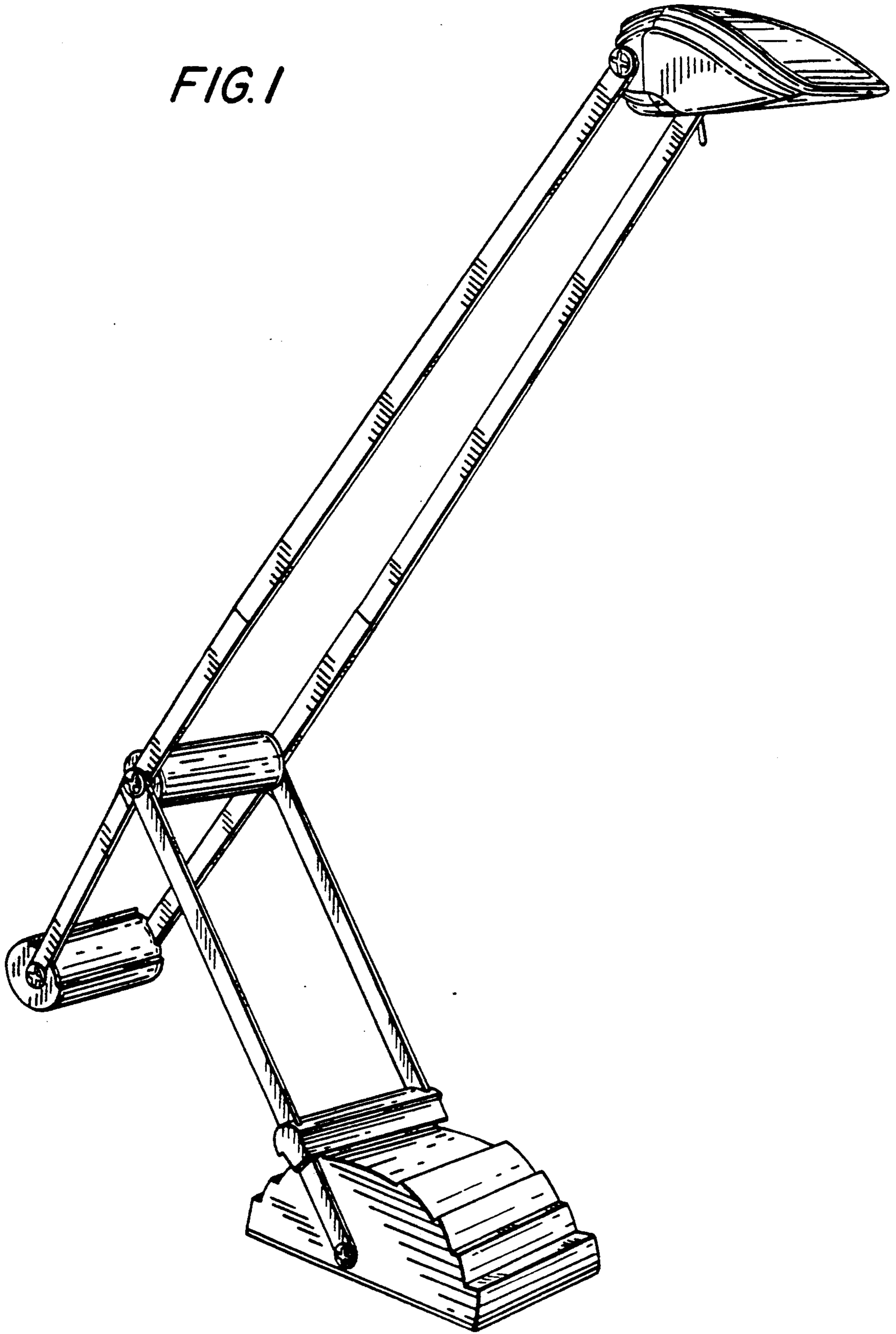
[56] **References Cited**

**U.S. PATENT DOCUMENTS**

D. 310,728 9/1990 Lu ..... D26/65  
D. 318,340 7/1991 Huang ..... D26/65



*FIG. 1*



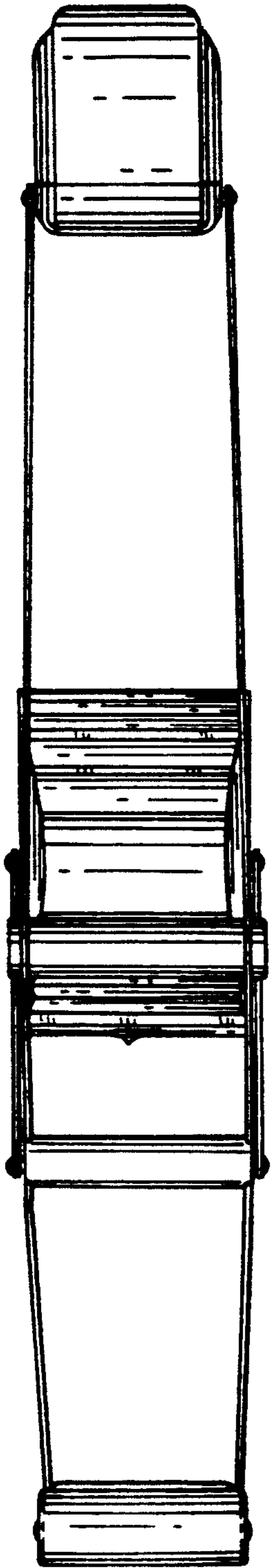


FIG. 2

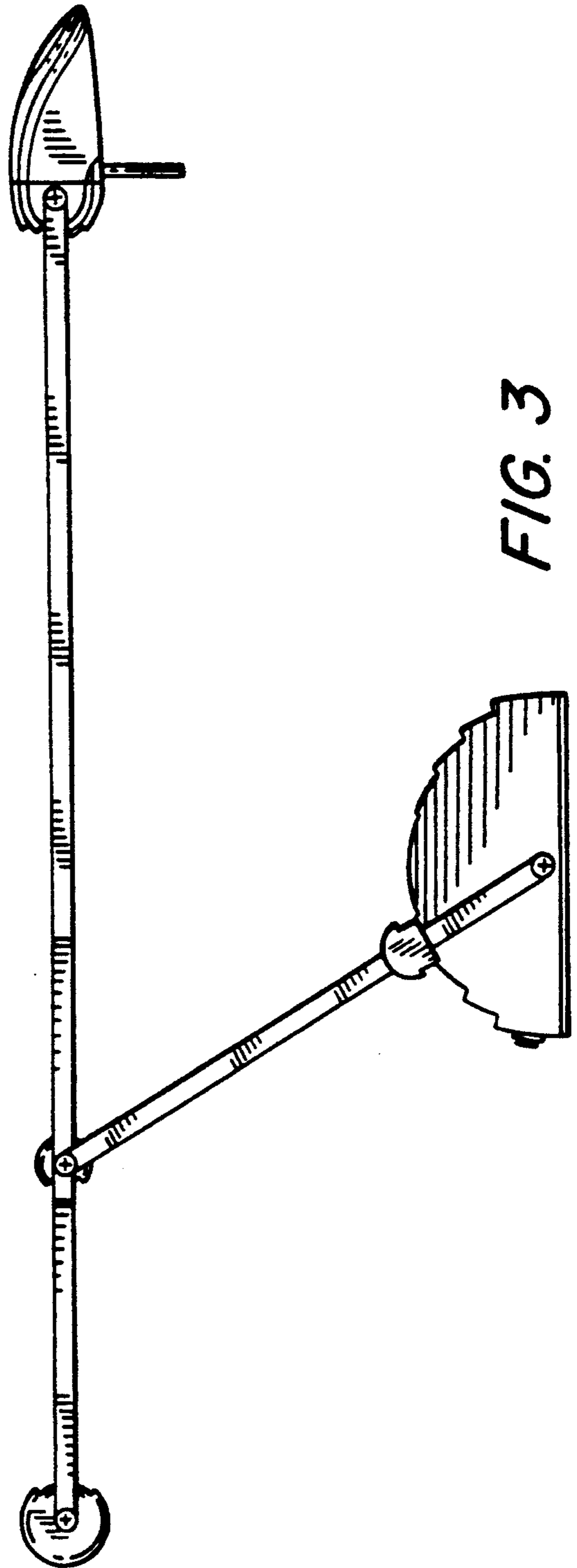


FIG. 3

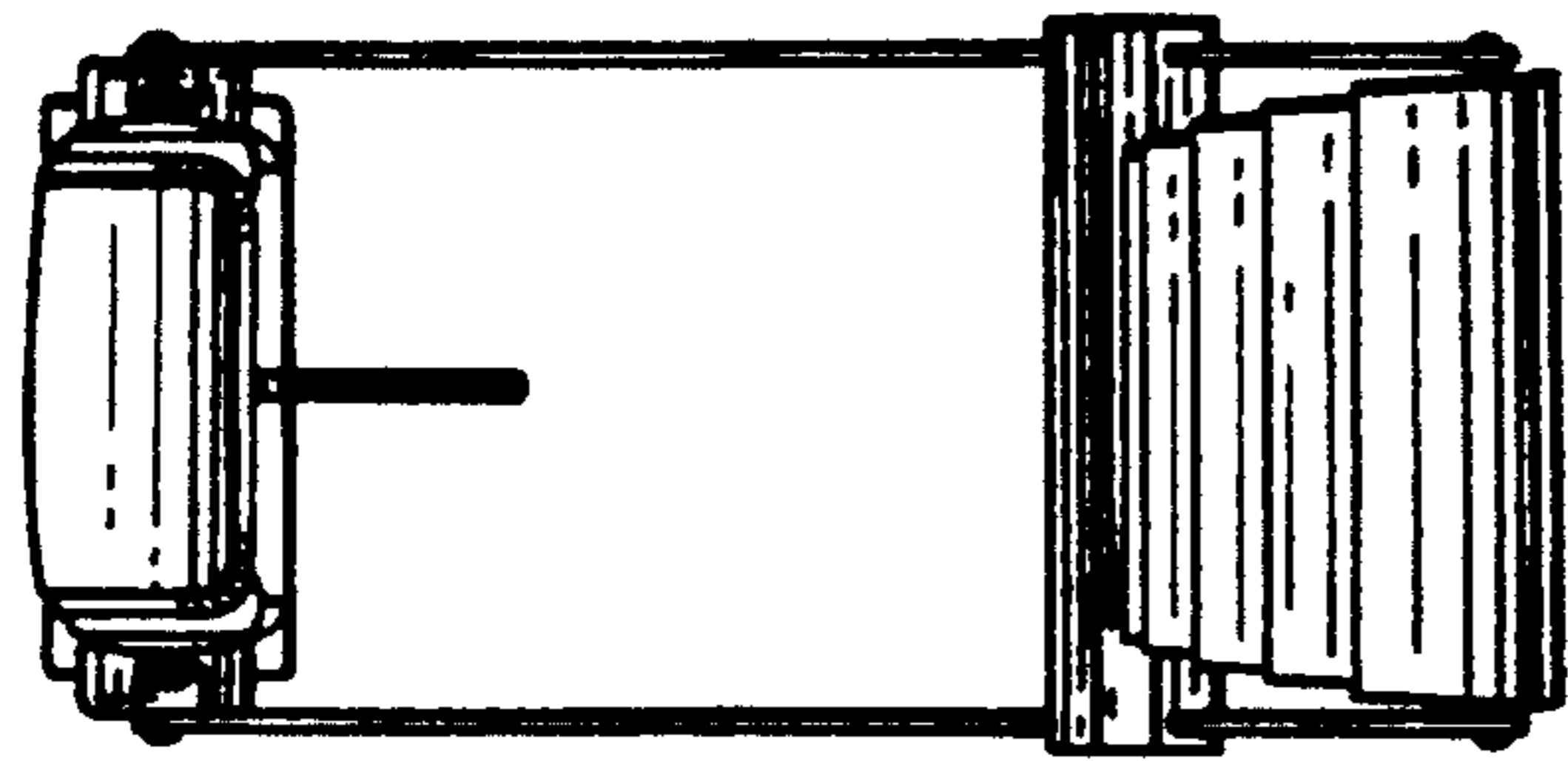


FIG. 4

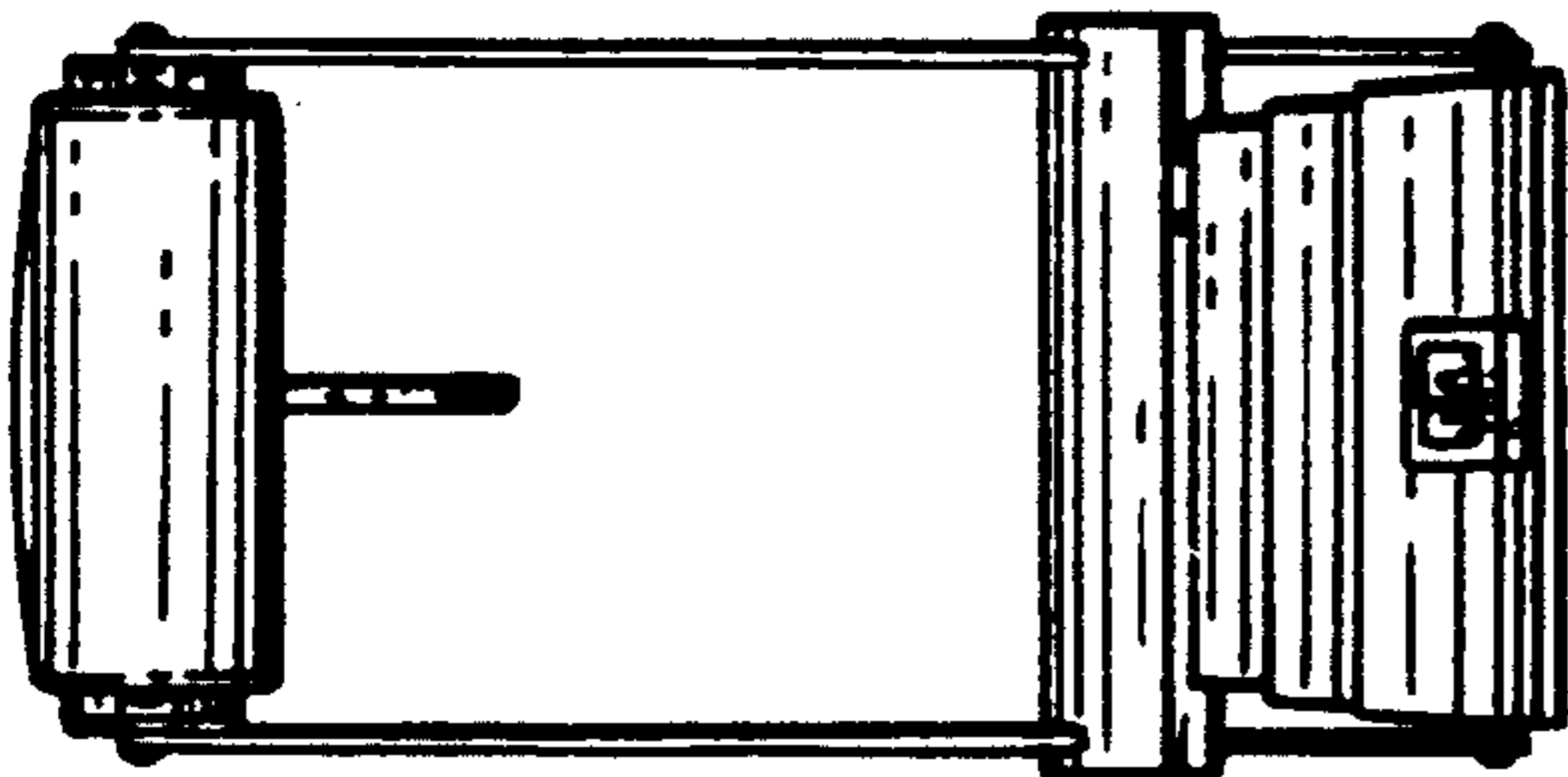


FIG. 5

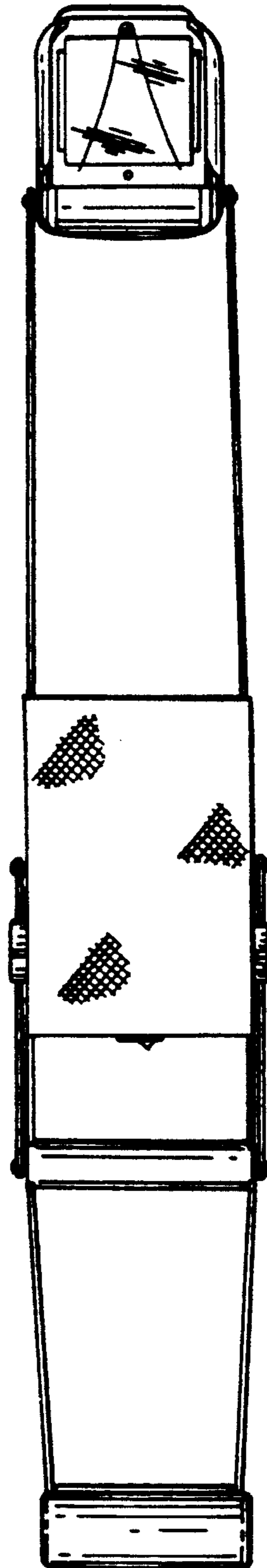


FIG. 6