



US00D340535S

United States Patent [19]
Cole

[11] **Patent Number: Des. 340,535**

[45] **Date of Patent: ** Oct. 19, 1993**

[54] **WINDOW INTERLOCK EXTRUSION**

[75] **Inventor: Douglas L. Cole, Seattle, Wash.**

[73] **Assignee: Mikron Industries, Kent, Wash.**

[**] **Term: 14 Years**

[21] **Appl. No.: 707,404**

[22] **Filed: May 30, 1991**

[52] **U.S. Cl. D25/124**

[58] **Field of Search D25/119-125,
D25/52; 49/75, 501, 504, 404, 413, 419, DIG.
2; 52/202, 731, 735**

[56] **References Cited**

U.S. PATENT DOCUMENTS

D. 263,753 4/1982 Dallaire D25/124
D. 299,965 2/1989 Litchfield et al. D25/124
4,740,405 4/1988 Tanaka et al. 49/504

Primary Examiner—A. Hugo Word

Assistant Examiner—Doris Clark

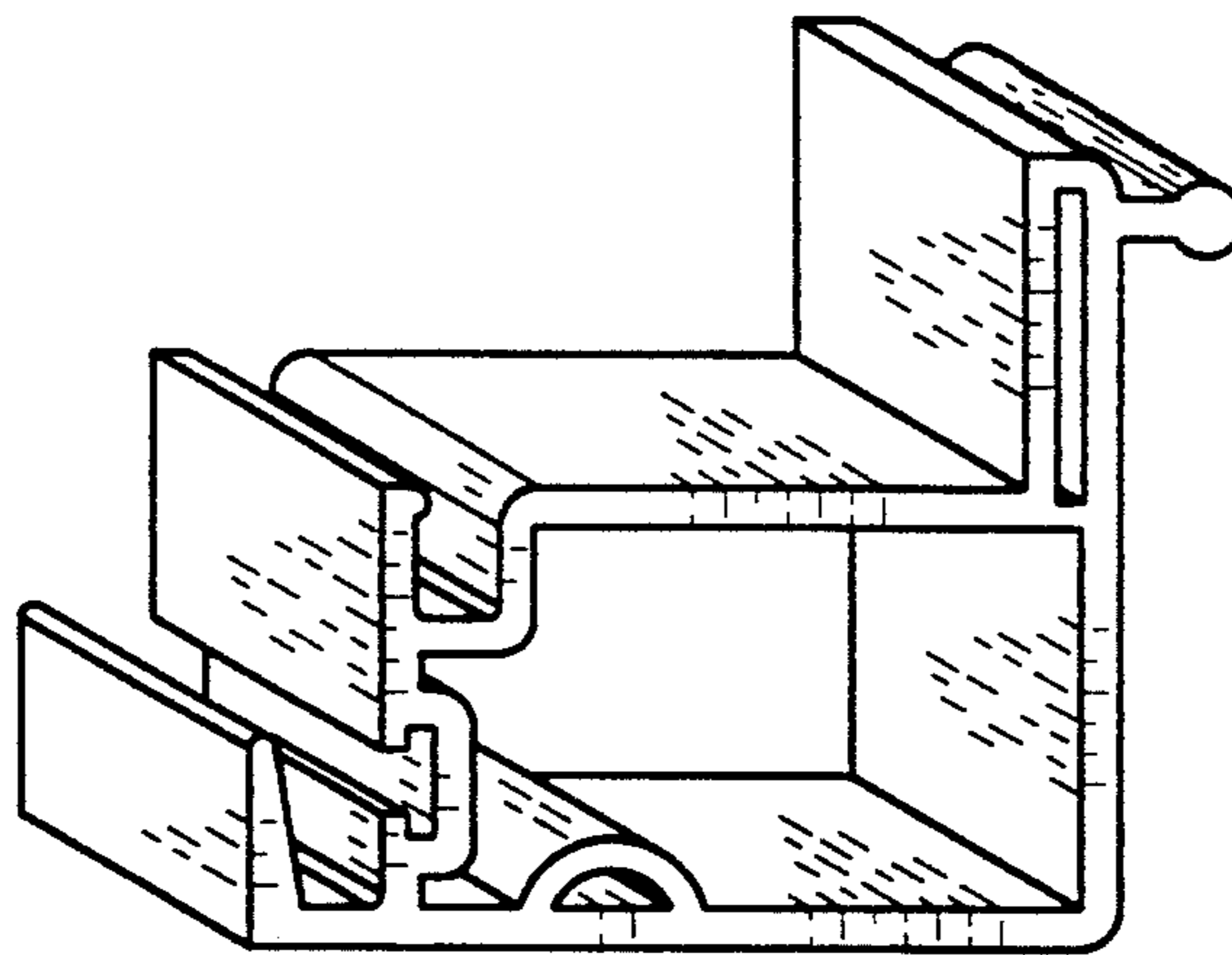
Attorney, Agent, or Firm—Seed and Berry

[57] **CLAIM**

The ornamental design for a window interlock extrusion, as shown and described.

DESCRIPTION

FIG. 1 is a top, right, perspective view of a window component extrusion showing my new design; and, FIG. 2 is a bottom, left, perspective view thereof.



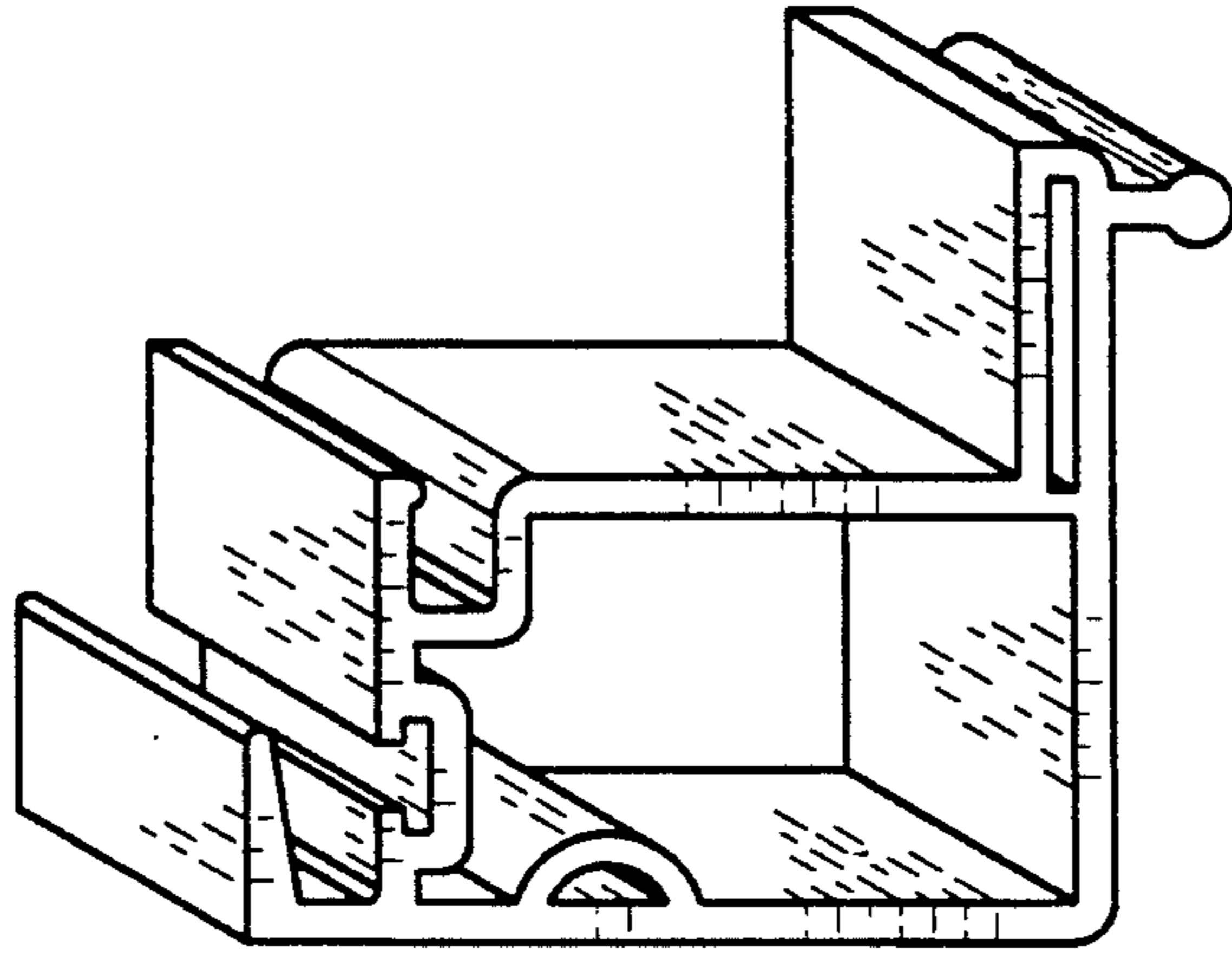


FIG. 1

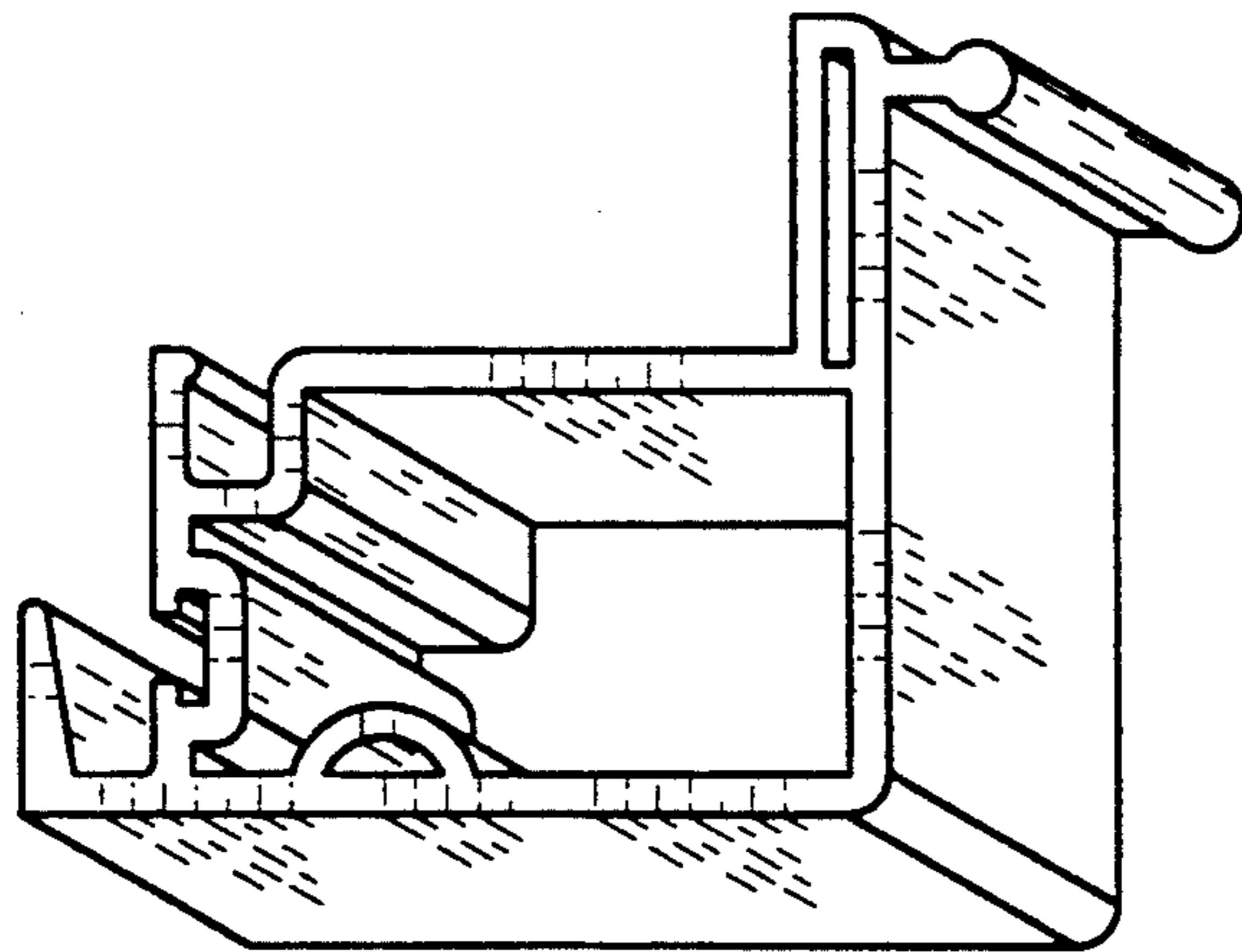


FIG. 2