



US00D340528S

United States Patent [19]

[11] Patent Number: **Des. 340,528**

Broney

[45] Date of Patent: **** Oct. 19, 1993**

[54] **BACK MASSAGING MACHINE**

[76] Inventor: **William C. Broney**, 7408 Catlow Ct.,
Ft. Worth, Tex. 76137

[**] Term: **14 Years**

[21] Appl. No.: **792,072**

[22] Filed: **Nov. 4, 1991**

[52] U.S. Cl. **D24/215; D24/200;**
D24/211; D24/213

[58] Field of Search **D24/200, 211-215;**
128/24.2, 24.3, 25 B, 32-36, 41

[56] **References Cited**

U.S. PATENT DOCUMENTS

D. 202,085	8/1965	Tasker	D24/211 X
D. 310,416	9/1990	Yamasaki	D24/211
2,553,873	5/1951	Schwebel, Sr.	D24/212 X
2,604,091	7/1952	Hansen	128/41
3,035,570	5/1962	Nelson	D24/212 X
3,685,511	8/1972	Alvarez	128/57
3,812,846	5/1974	Trout .	

3,882,856	5/1975	Heuser .	
4,190,043	2/1980	Thompson .	
4,796,616	1/1989	Pahahpour	128/57
4,875,470	10/1989	Cotone	128/57
4,945,900	8/1990	Masuda	128/57

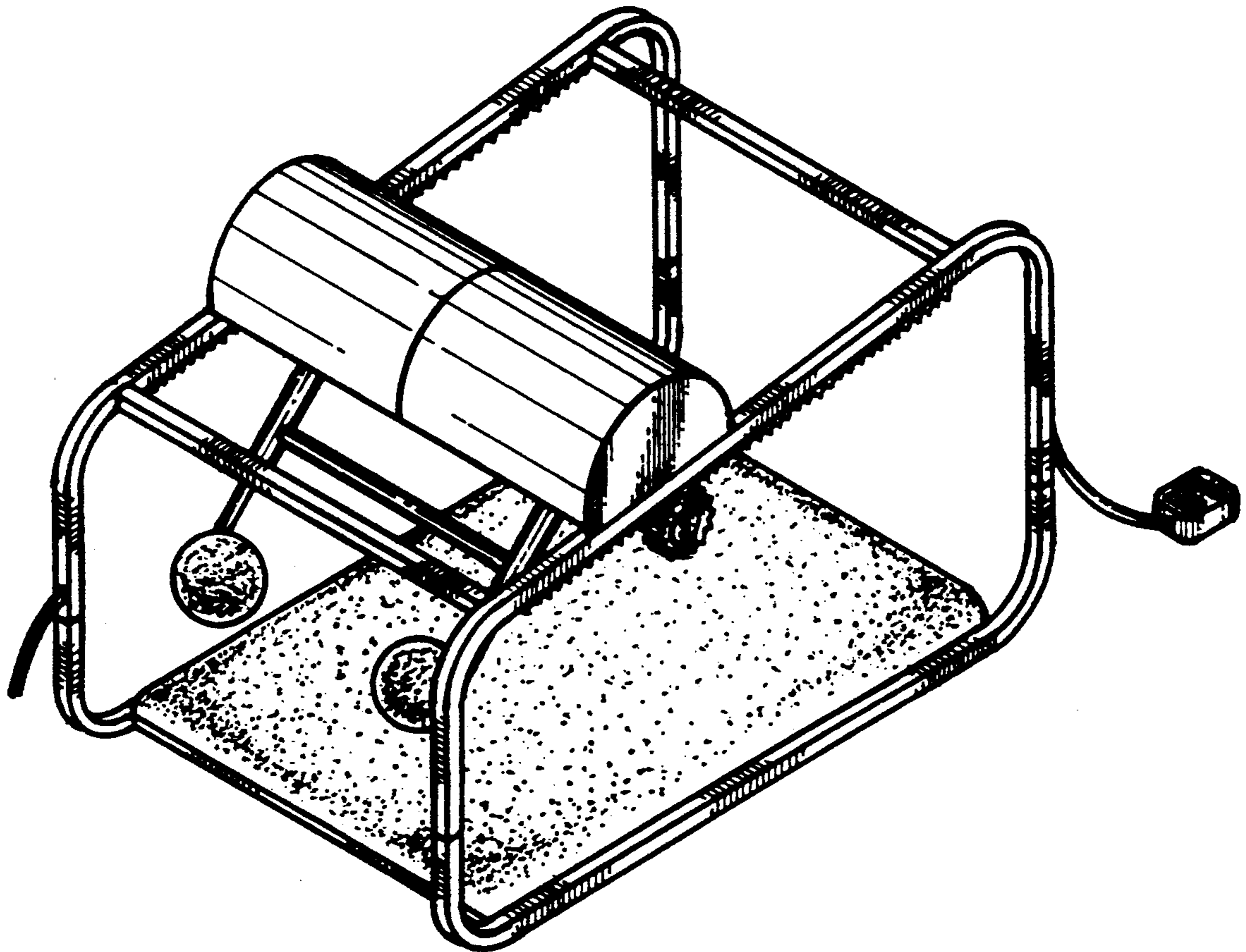
Primary Examiner—Stella Reid
Attorney, Agent, or Firm—Terry M. Gernstein

[57] **CLAIM**

The ornamental design for a back massaging machine, as shown and described.

DESCRIPTION

FIG. 1 is a perspective view of a back massaging machine, showing my new design;
FIG. 2 is a front end elevational view thereof;
FIG. 3 is a rear end elevational view thereof;
FIG. 4 is a side elevational view thereof;
FIG. 5 is a side elevational view thereof, opposite that shown in FIG. 4;
FIG. 6 is a top plan view thereof; and,
FIG. 7 is a bottom plan view thereof.



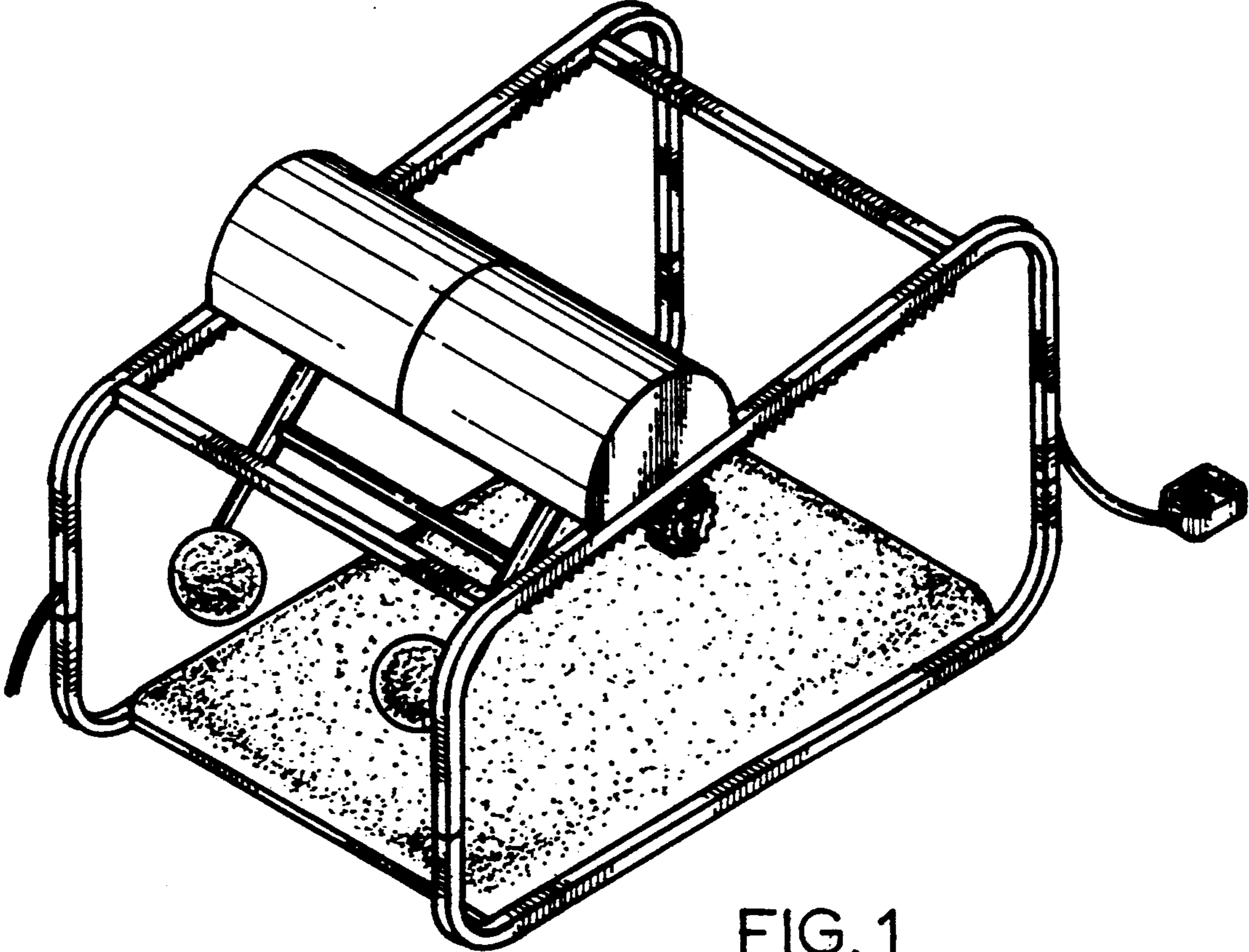


FIG. 1

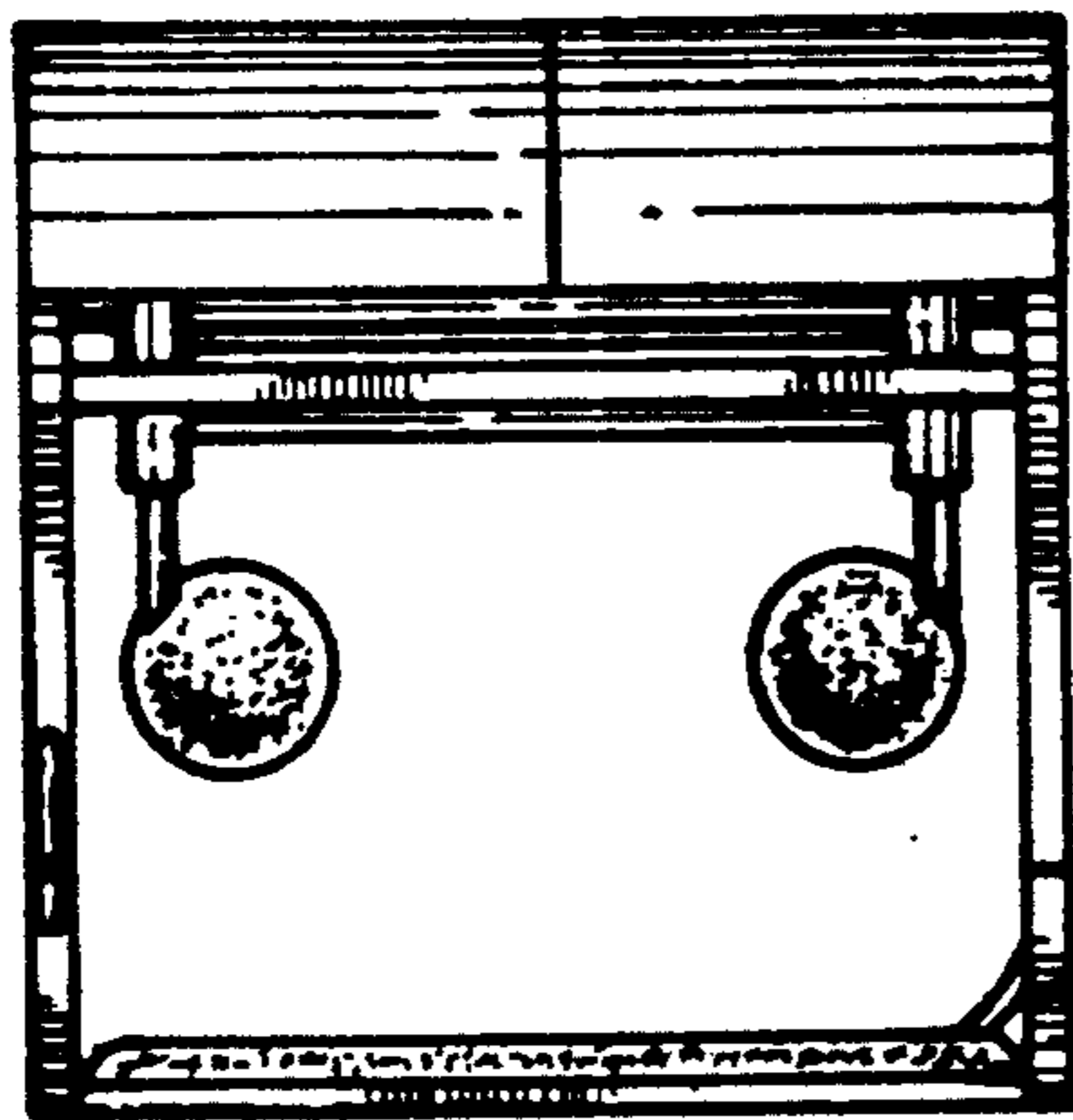


FIG. 2

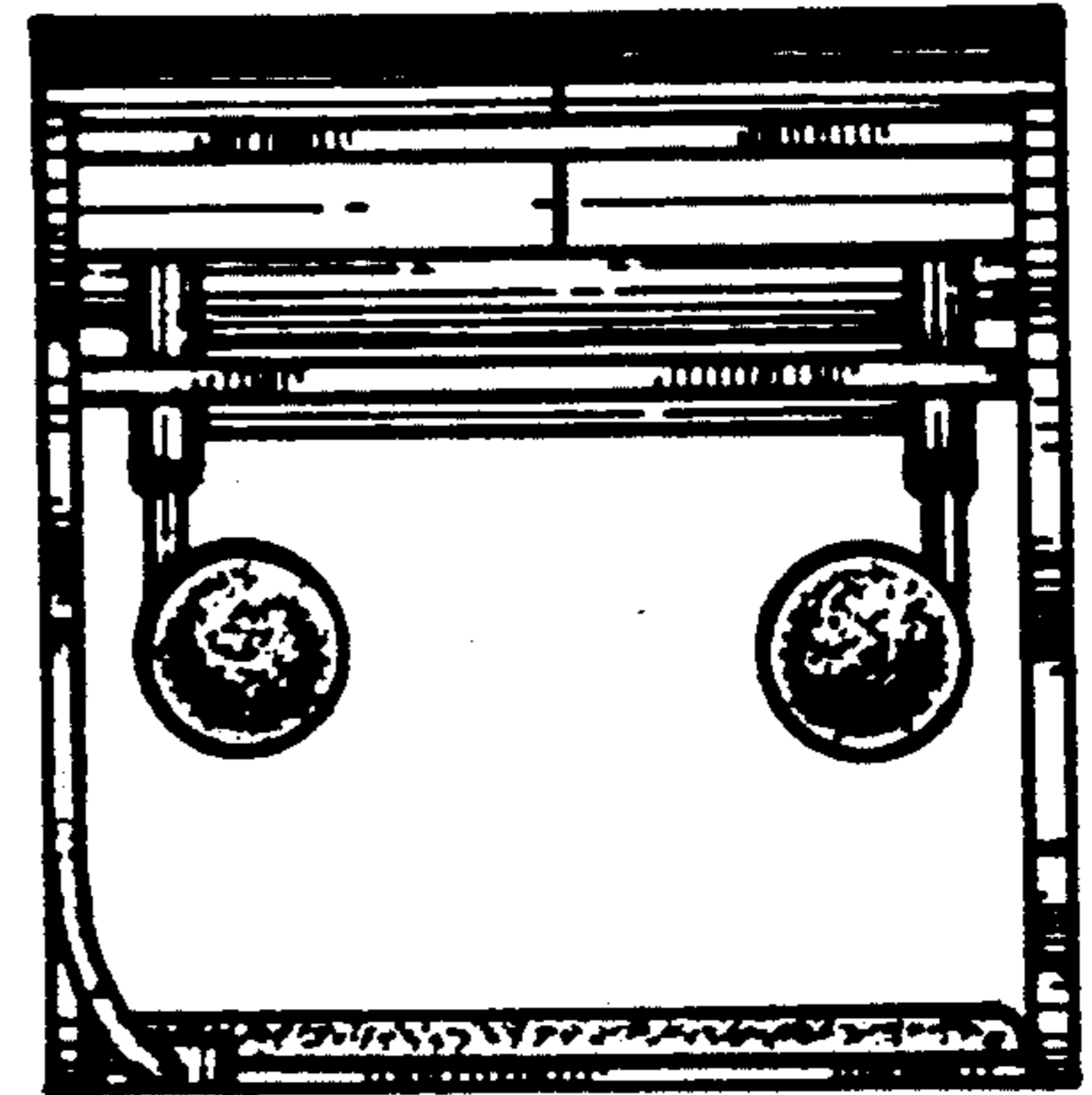


FIG. 3

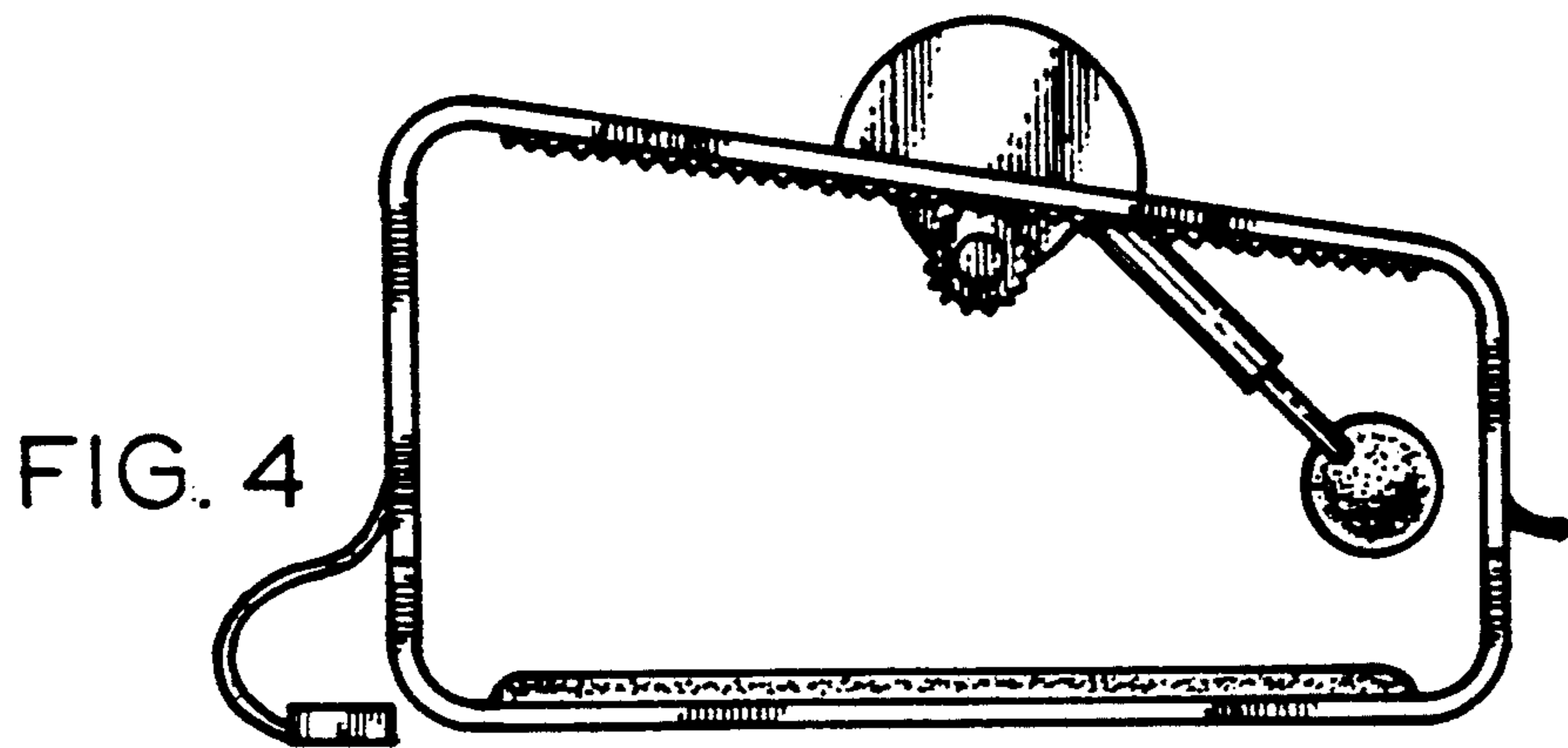


FIG. 4

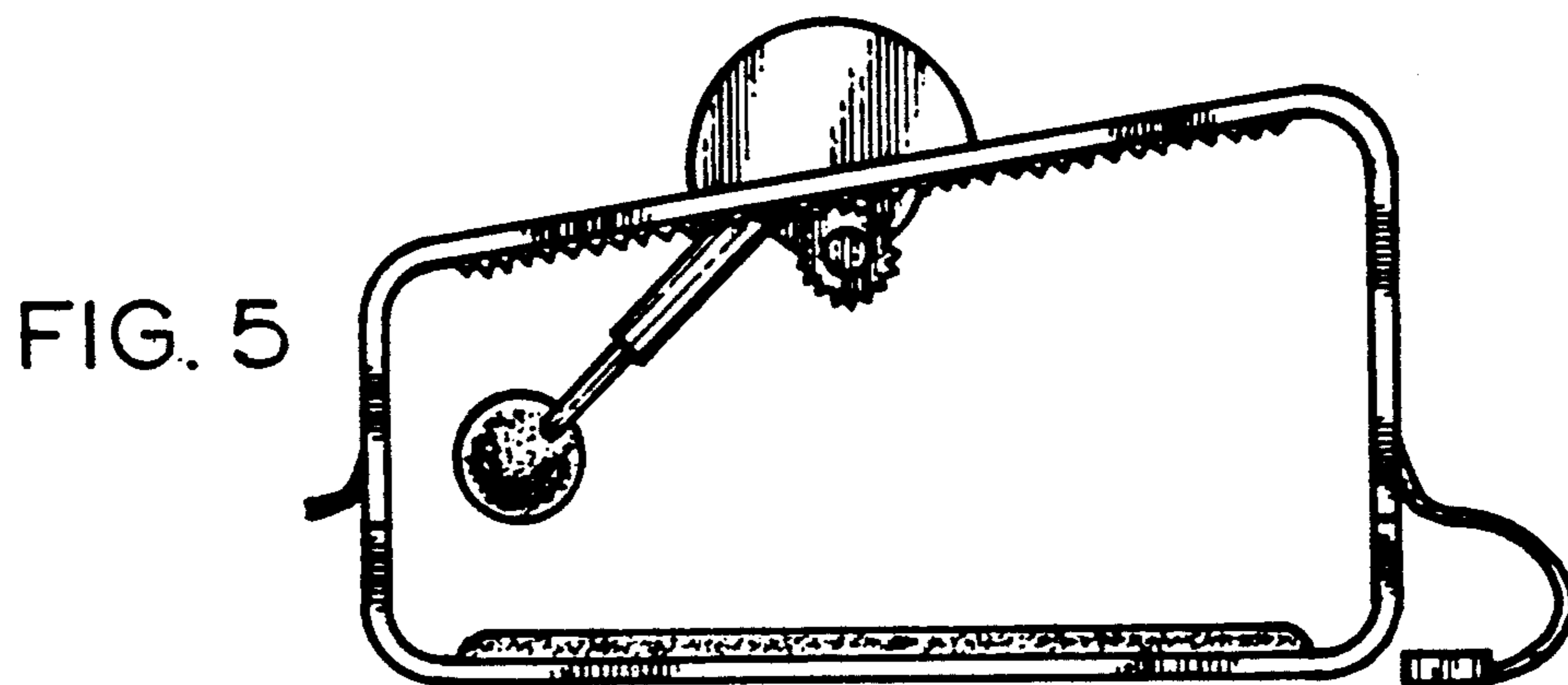


FIG. 5

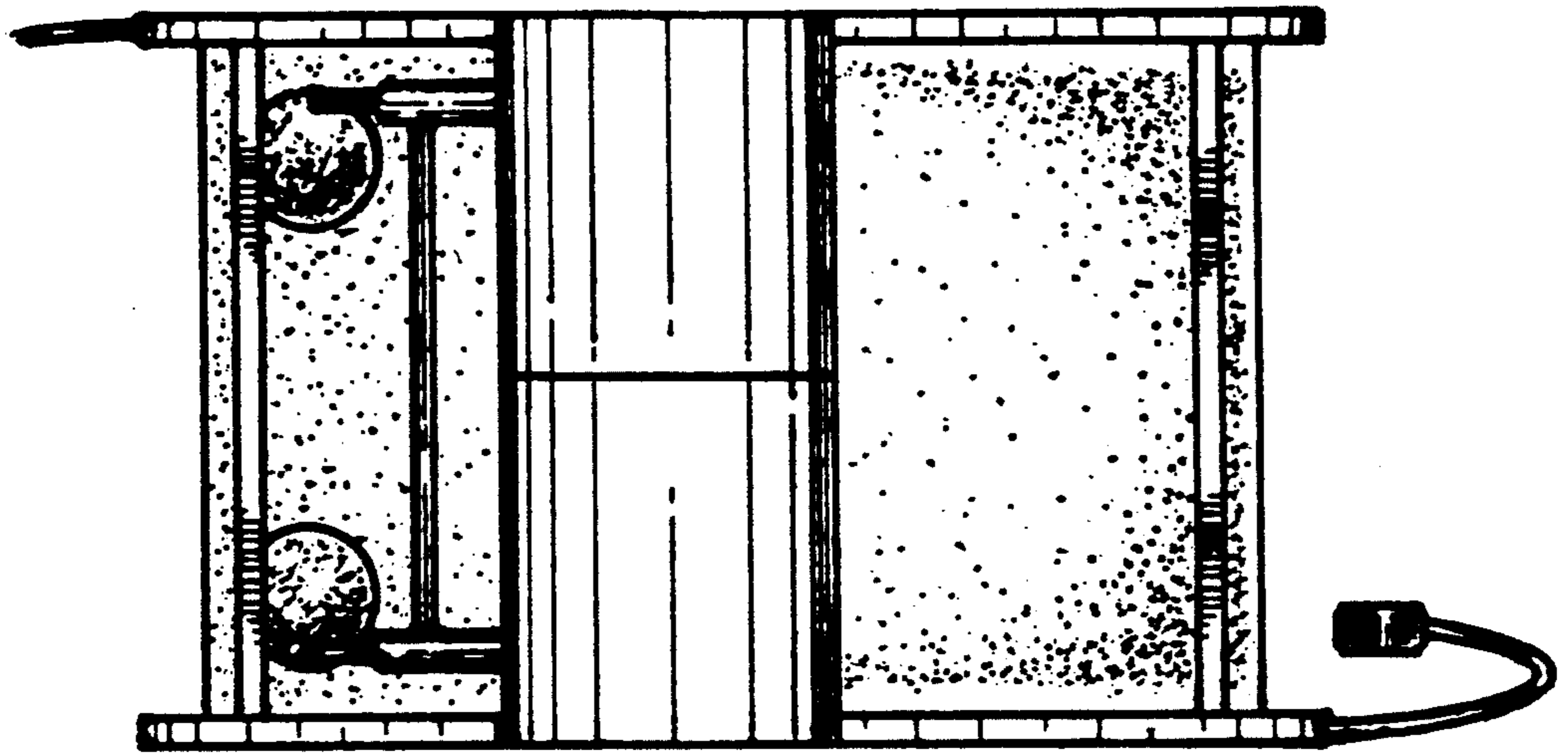


FIG. 6

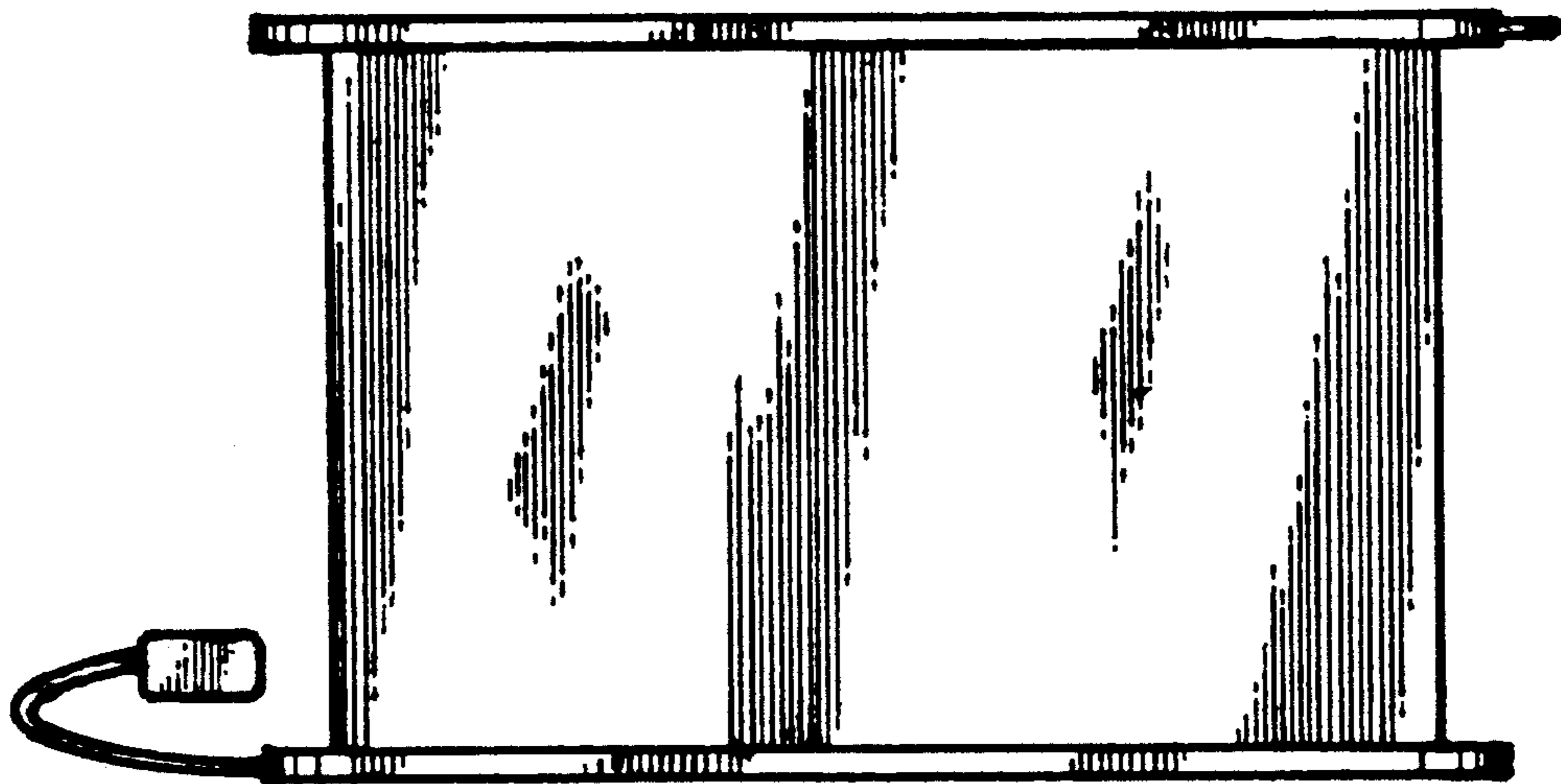


FIG. 7