



US00D340524S

United States Patent [19]
Russell

[11] **Patent Number: Des. 340,524**

[45] **Date of Patent: ** Oct. 19, 1993**

[54] **SURGICAL WRAP WITH ARM SPLINT**

[56]

References Cited

U.S. PATENT DOCUMENTS

[75] **Inventor: John P. Russell, Center Point, Ala.**

3,256,880	6/1966	Caypinar	D24/190 X
3,724,456	4/1973	Waxman	D24/190 X
3,926,185	12/1975	Krzewinski	128/854
4,838,868	6/1989	Forger et al.	128/877
4,941,479	7/1990	Russell et al.	D24/190 X

[73] **Assignee: Infection Control Products, Inc., Gardendale, Ala.**

[**] **Term: 14 Years**

Primary Examiner—Hugo Word
Assistant Examiner—I. Simmons
Attorney, Agent, or Firm—George A. Bode

[21] **Appl. No.: 747,258**

[57]

CLAIM

The ornamental design for a surgical wrap with arm splint, as shown.

[22] **Filed: Aug. 19, 1991**

DESCRIPTION

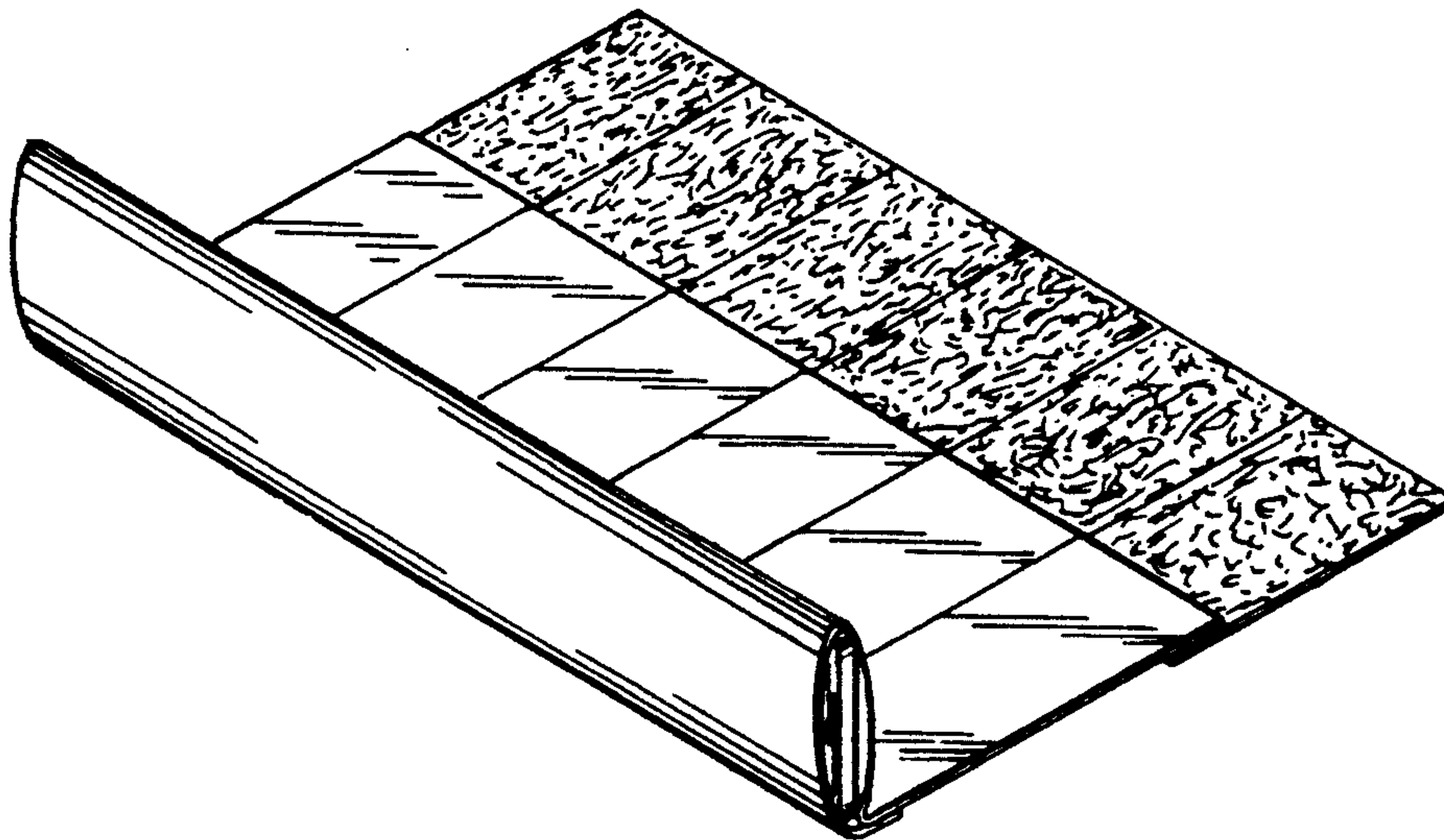
Related U.S. Application Data

[63] Continuation-in-part of Ser. No. 386,680, Jul. 31, 1989, Pat. No. Des. 323,216.

[52] **U.S. Cl.** D24/190; D24/188

[58] **Field of Search** D24/188, 190; 128/877, 128/878, 879, 854, 855, DIG. 6; 602/12, 20, 21

FIG. 1 is a top perspective elevational view of a surgical wrap with arm splint showing my new design; FIG. 2 is a front elevational view thereof; FIG. 3 is a top plan view thereof; FIG. 4 is a left side elevational view thereof; FIG. 5 is a right side elevational view thereof; and, FIG. 6 is a bottom plan view thereof.



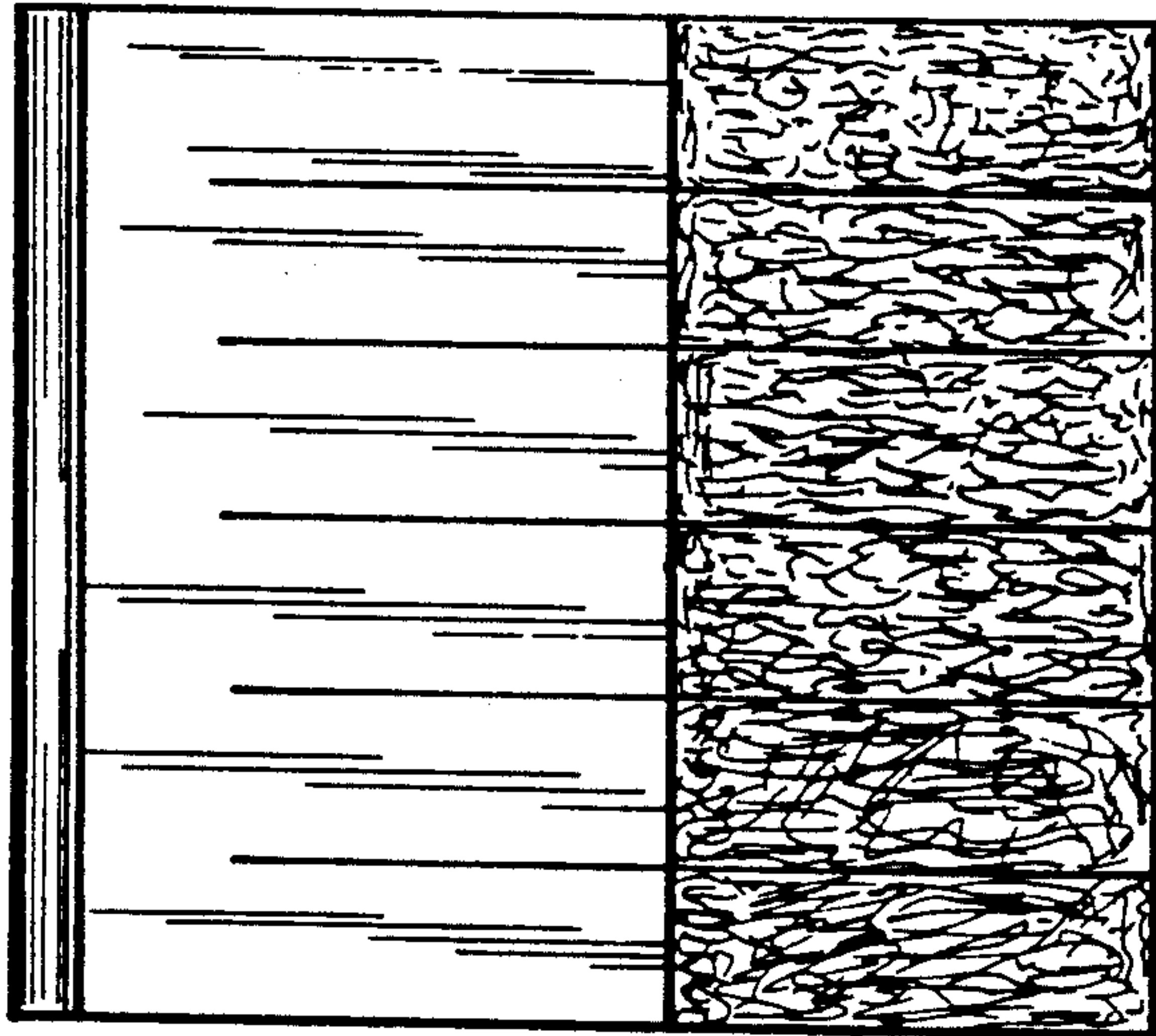
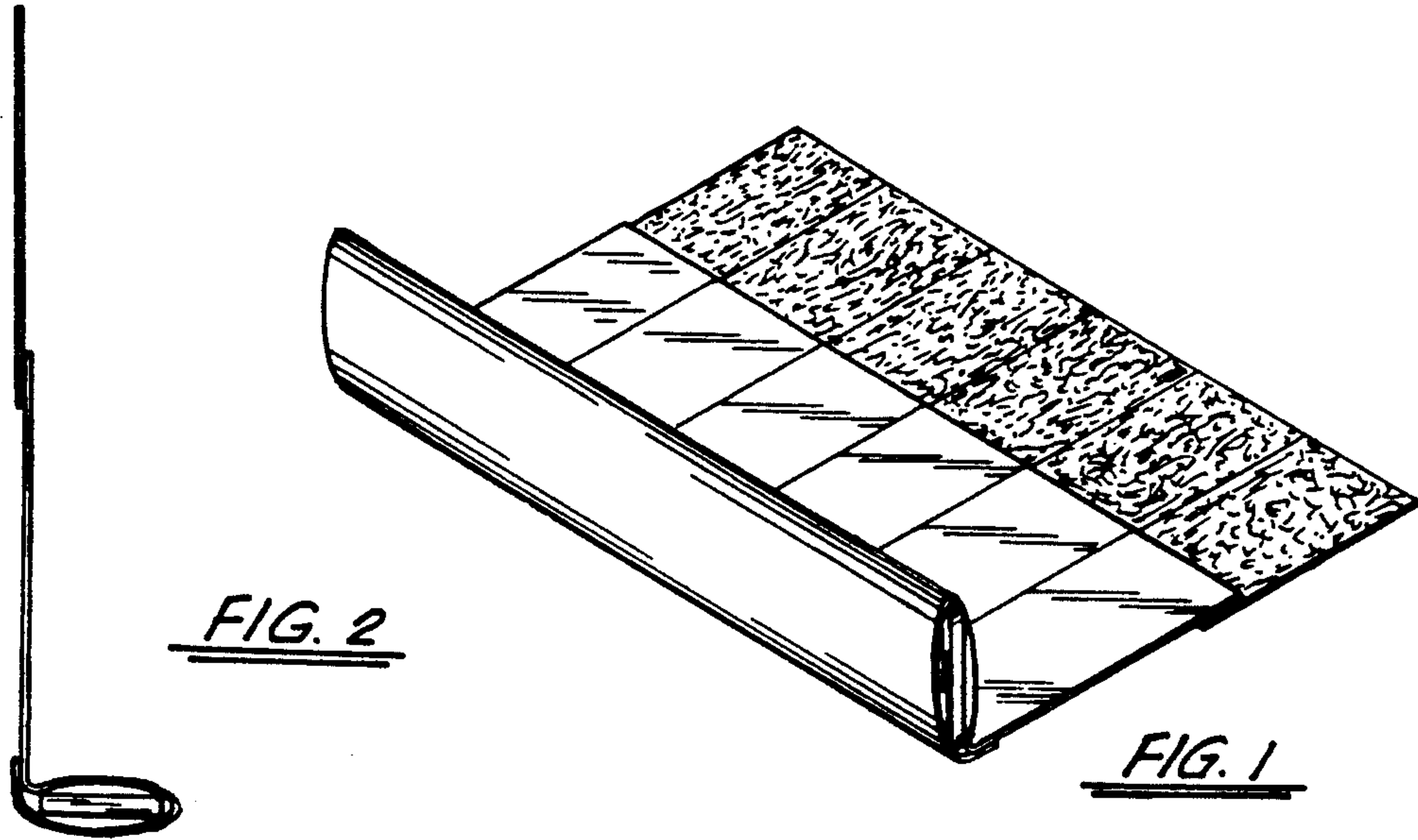


FIG. 3



FIG. 4



FIG. 5

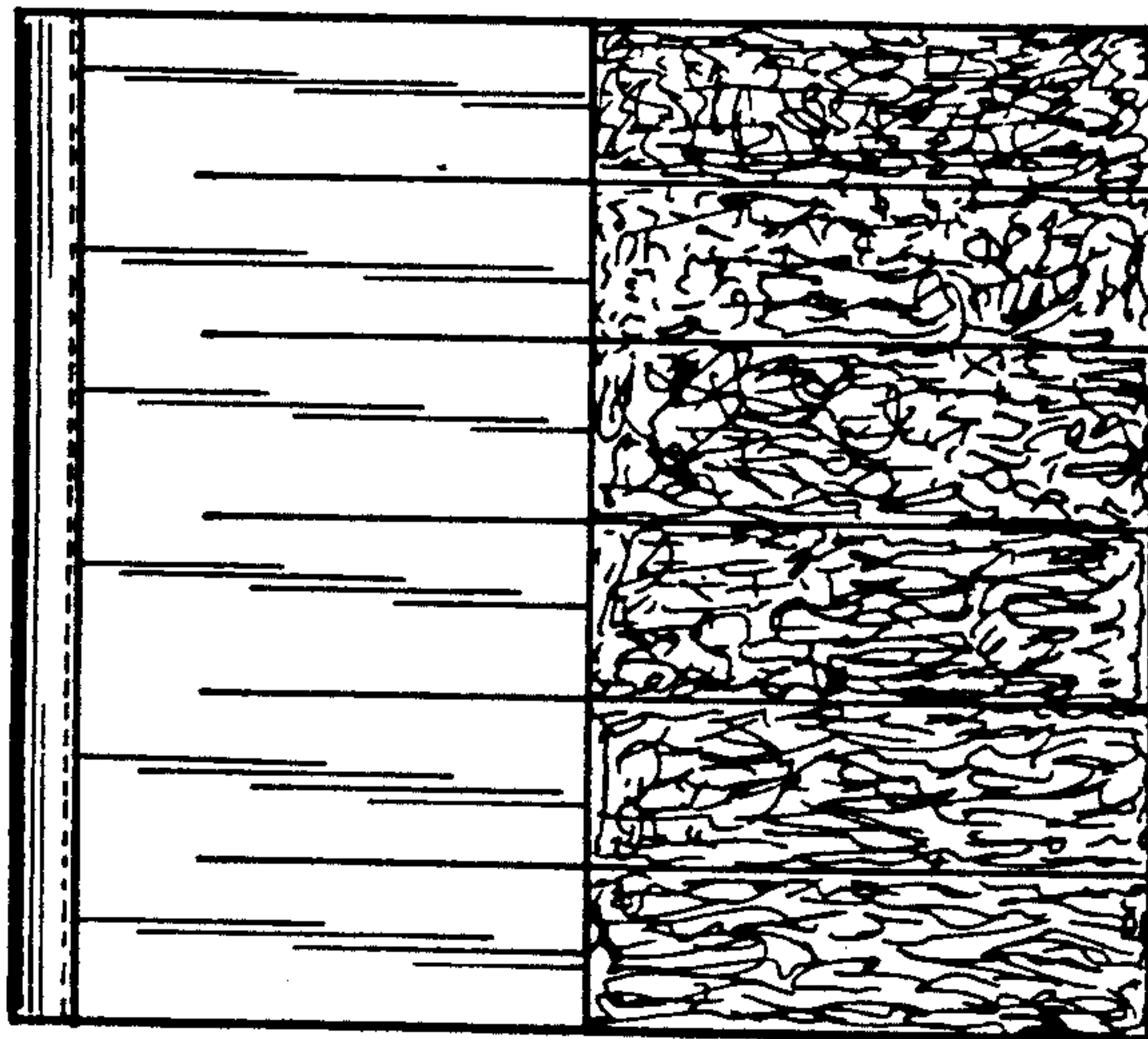


FIG. 6