



US00D340522S

United States Patent [19] Silbersky

[11] Patent Number: **Des. 340,522**

[45] Date of Patent: **** Oct. 19, 1993**

[54] HEARING AID HOUSING

[75] Inventor: **Jonnie Silbersky, Malmö, Sweden**

[73] Assignee: **Nobelpharma AB, Gotenburg, Sweden**

[**] Term: **14 Years**

[21] Appl. No.: **801,828**

[22] Filed: **Dec. 3, 1991**

[30] **Foreign Application Priority Data**

Jun. 3, 1991 [SE] Sweden 1142/91

[52] U.S. Cl. **D24/174**

[58] Field of Search D24/174, 173; 381/69; 181/130, 135

[56] **References Cited**

U.S. PATENT DOCUMENTS

D. 148,320	1/1948	Penn	D24/174
D. 153,150	3/1949	Hull	D24/174
D. 167,873	9/1952	Watson	D24/174
D. 231,235	4/1974	Gath	D24/174
2,497,336	2/1950	Young	D24/174 X

Primary Examiner—Stella Reid

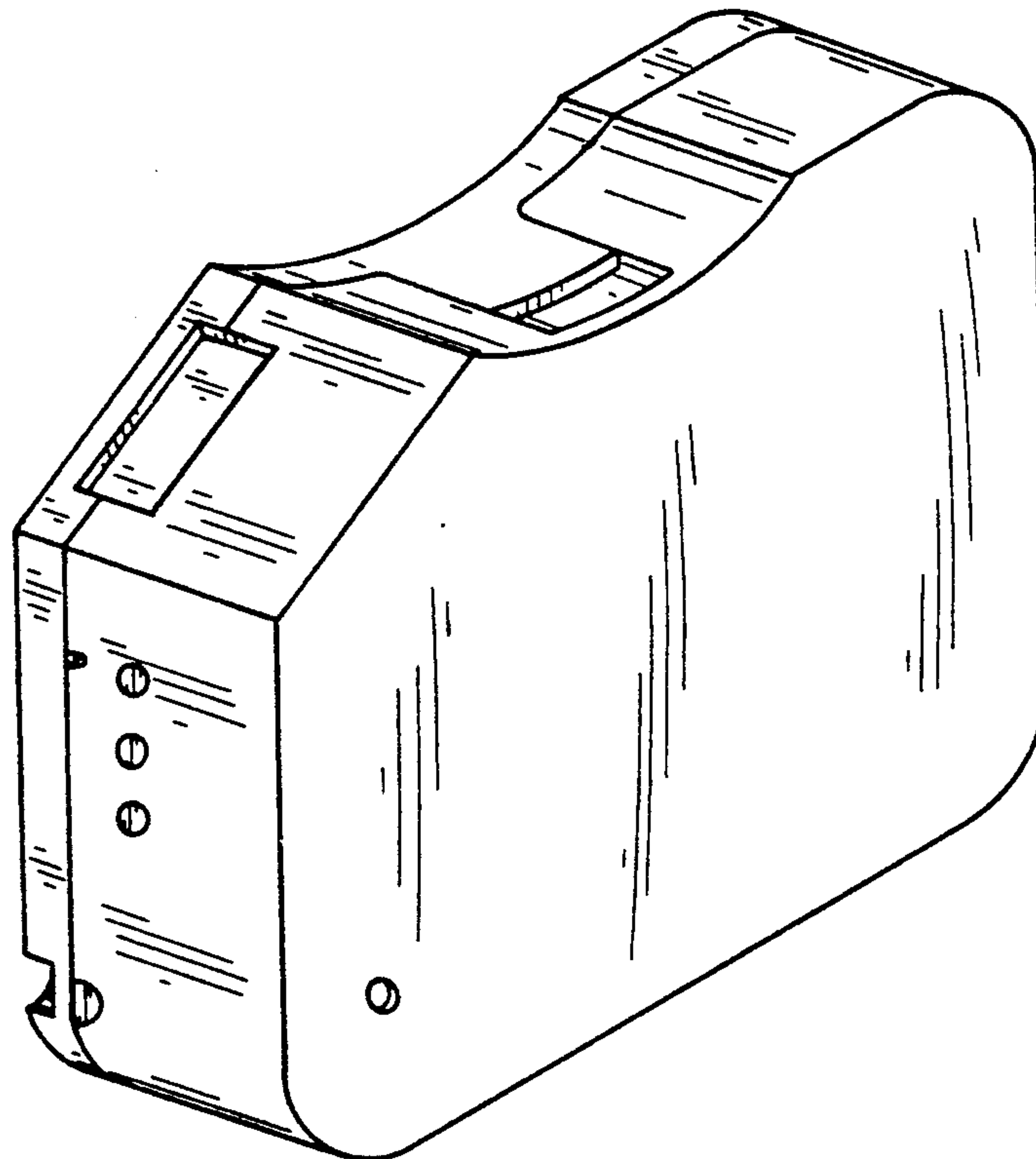
Attorney, Agent, or Firm—Pollock, Vande Sande & Priddy

[57] **CLAIM**

The ornamental design for a hearing aid housing, as shown and described.

DESCRIPTION

FIG. 1 is a perspective front, left side and top view of a hearing aid housing showing my new design; and, FIG. 2 is a rear, right side and bottom view thereof.



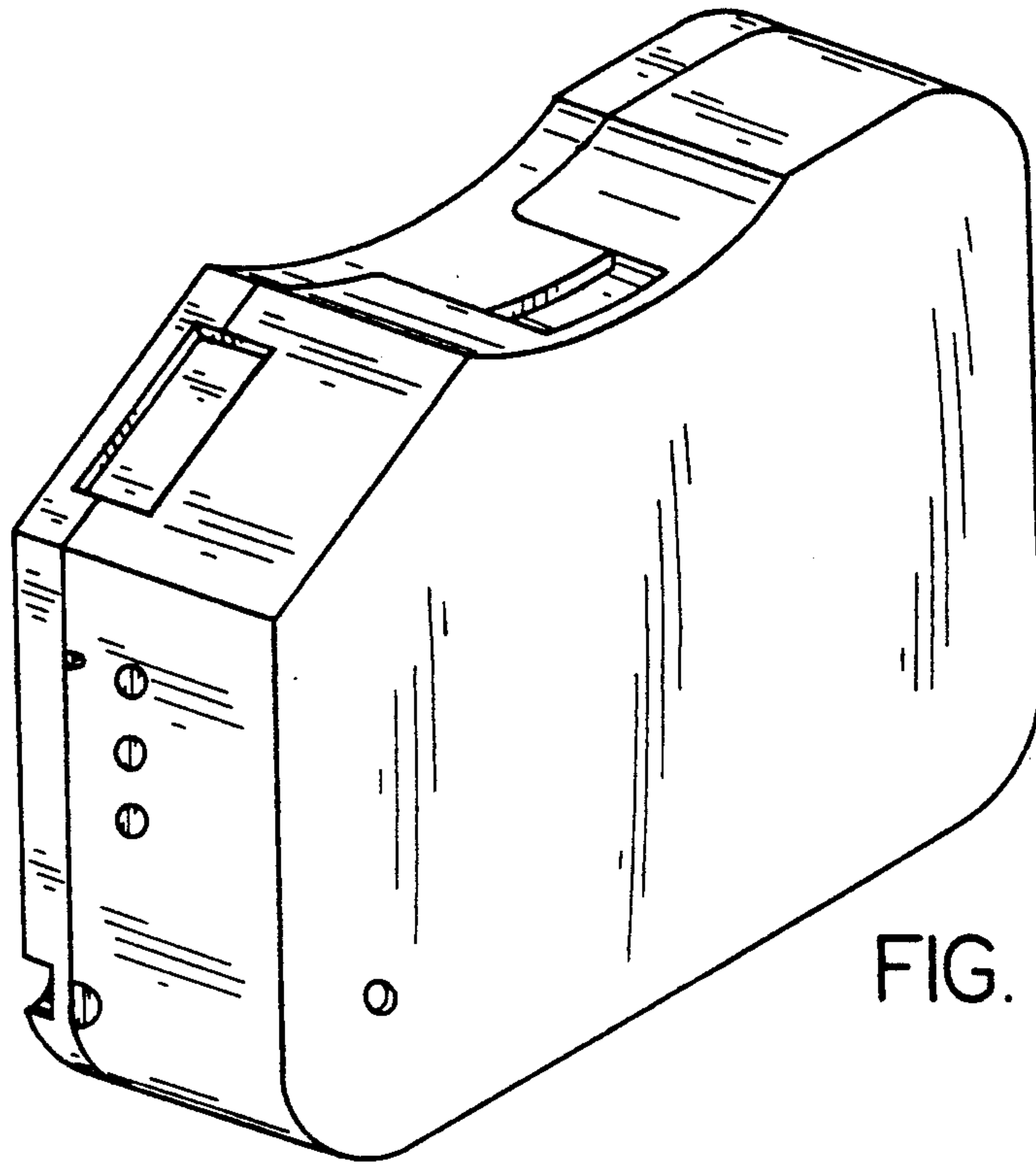


FIG. 1

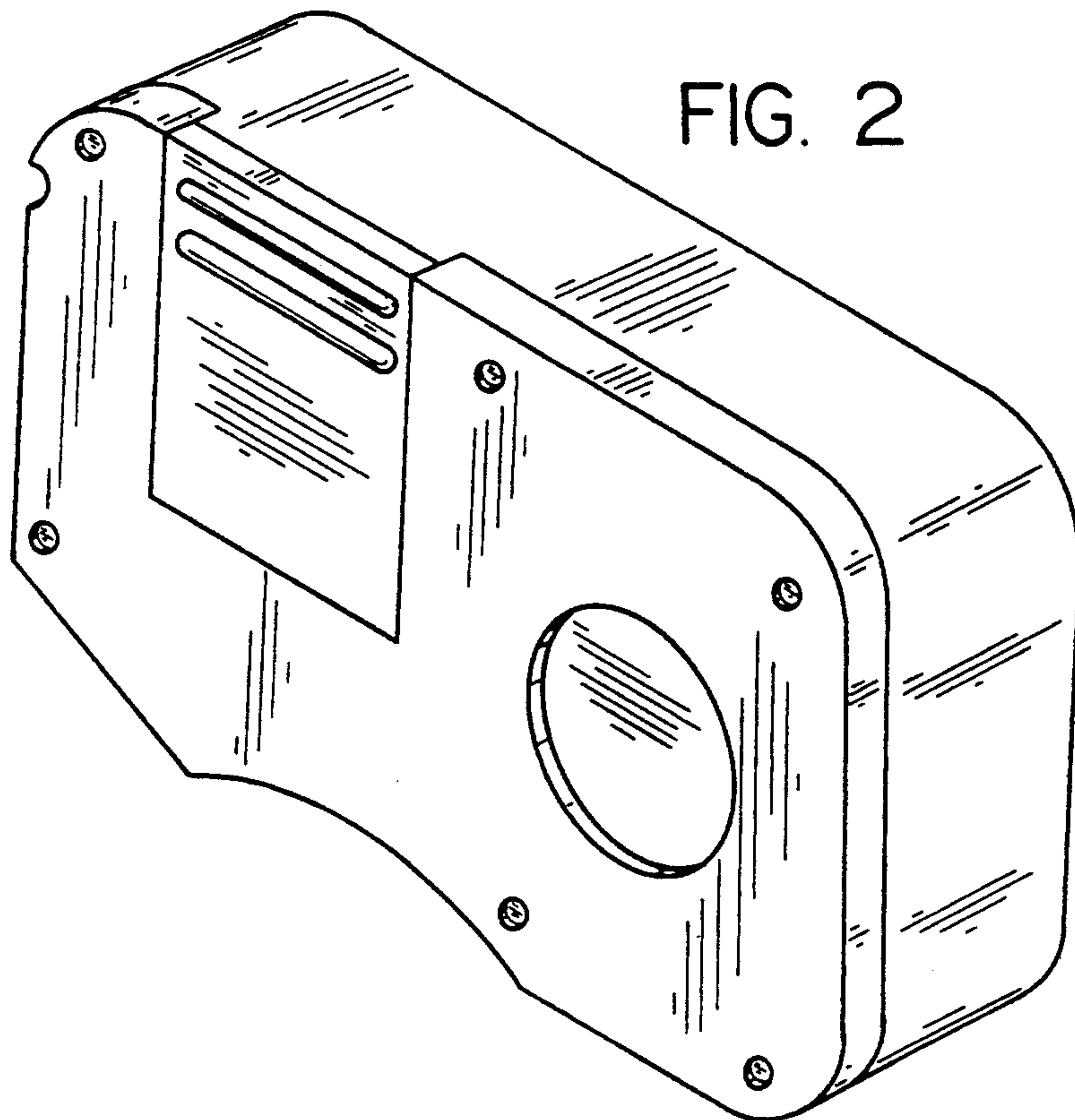


FIG. 2