



US00D340519S

United States Patent [19]

[11] Patent Number: **Des. 340,519**

Ogden et al.

[45] Date of Patent: **** Oct. 19, 1993**

[54] **AMPOULE HOLDER**

[75] Inventors: **Brian L. Ogden, Sevenoaks; Christopher J. Griffin; Nicholas B. Verebelyi, both of London; Gerard M. O'Brian, South Oxhey, all of United Kingdom**

1,881,415	10/1932	Tinglett	128/763
2,677,373	5/1954	Barrabas	604/192
3,008,570	11/1961	Roehr et al.	220/8 X
3,073,307	1/1963	Stevens	604/192
3,098,482	7/1963	O'Sullivan	604/192
3,110,309	11/1963	Higgins	604/201
4,353,869	10/1982	Guth	422/102

[73] Assignee: **The Wellcome Foundation Limited, London, England**

Primary Examiner—A. Hugo Word
Assistant Examiner—Ian Simmons
Attorney, Agent, or Firm—Young & Thompson

[**] Term: **14 Years**

[57] **CLAIM**

[21] Appl. No.: **679,241**

The ornamental design for an ampoule holder, as shown and described.

[22] Filed: **Apr. 2, 1991**

DESCRIPTION

[52] U.S. Cl. **D24/130; D9/517; D24/120; D24/227**

[58] Field of Search **D24/130, 128, 227; D9/558, 517, 367; 225/93, 103; 422/102, 104; 215/528; 220/8, 400, 625; 604/414**

FIG. 1 is a front elevational view of an ampoule holder showing our new design;
FIG. 2 is a cross-sectional view thereof taken along the line II—II of FIG. 1;
FIG. 3 is a bottom plan view thereof;
FIG. 4 is a cross-sectional view thereof, taken along the line IV—IV of FIG. 2; and,
FIG. 5 is a rear elevational view thereof.

[56] **References Cited**

U.S. PATENT DOCUMENTS

D. 273,767 5/1984 Weiler D9/558 X



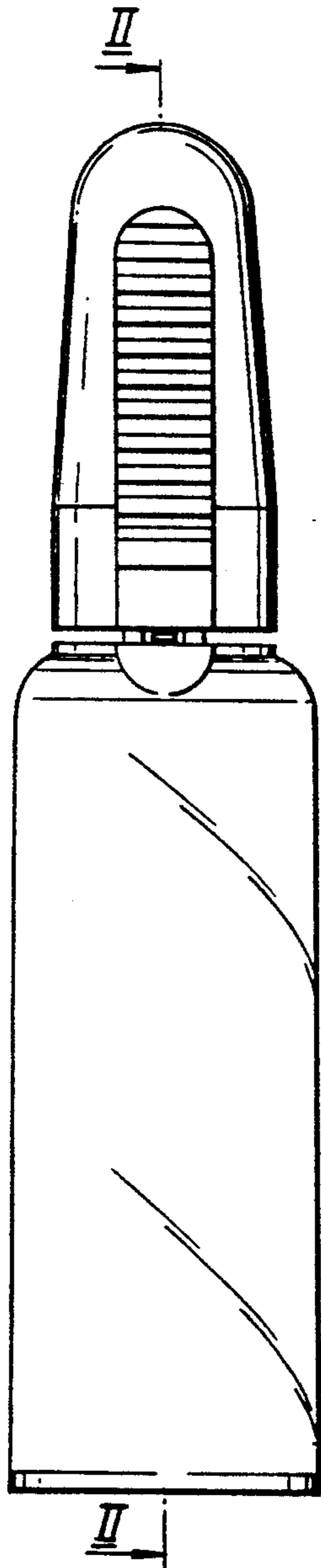


Fig.1.

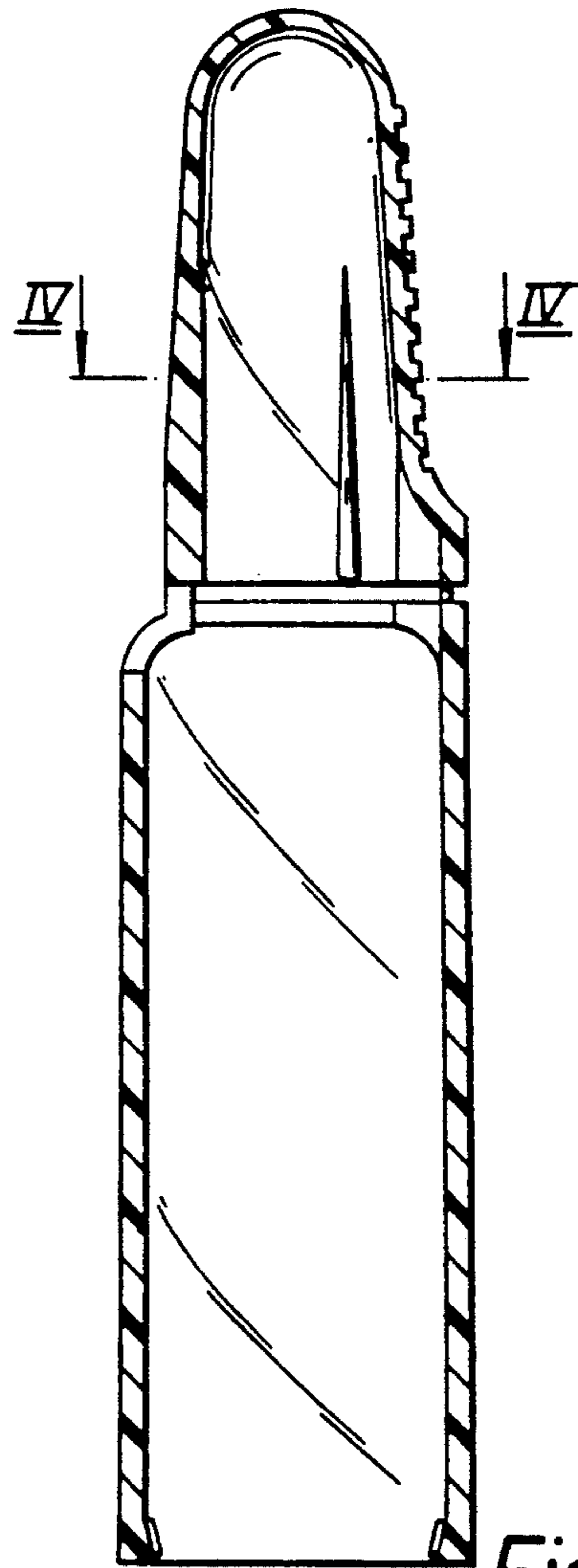


Fig.2.

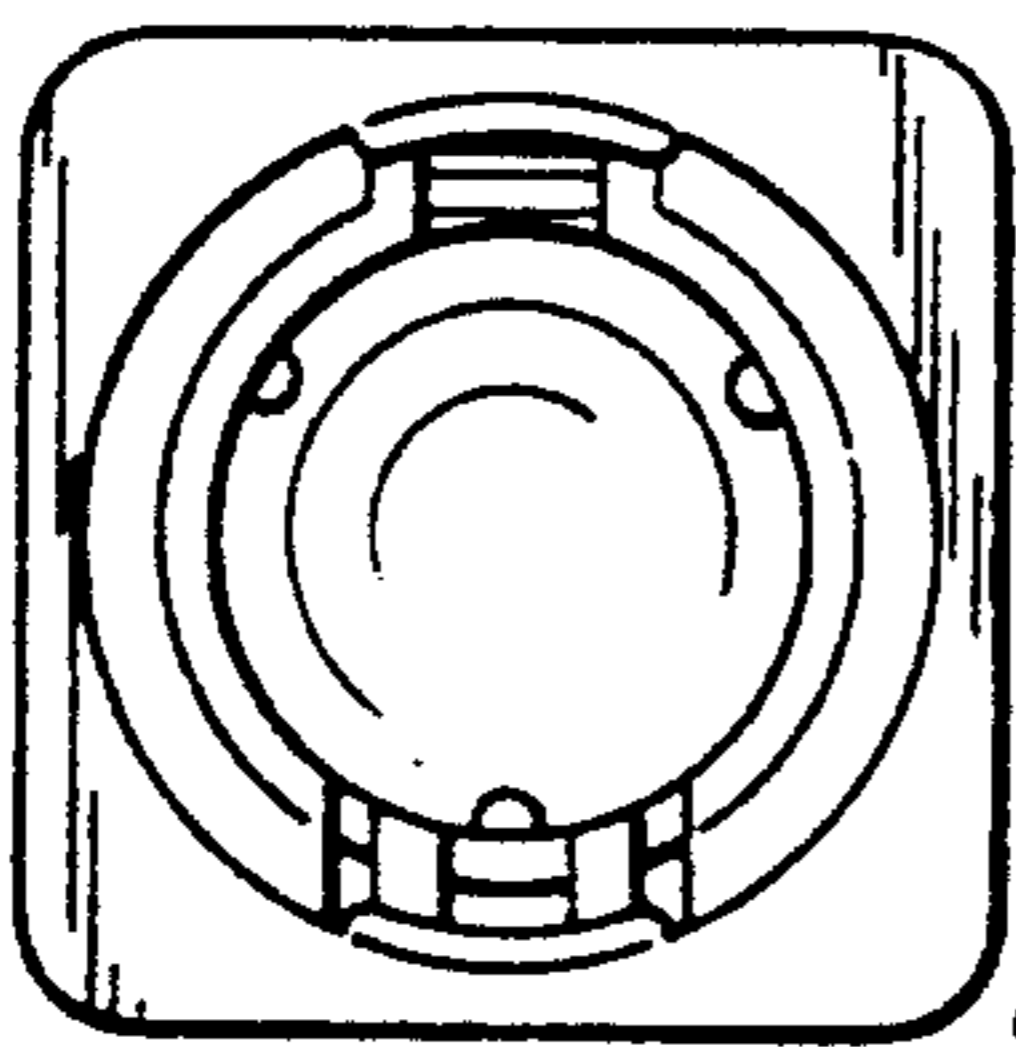


Fig.3.

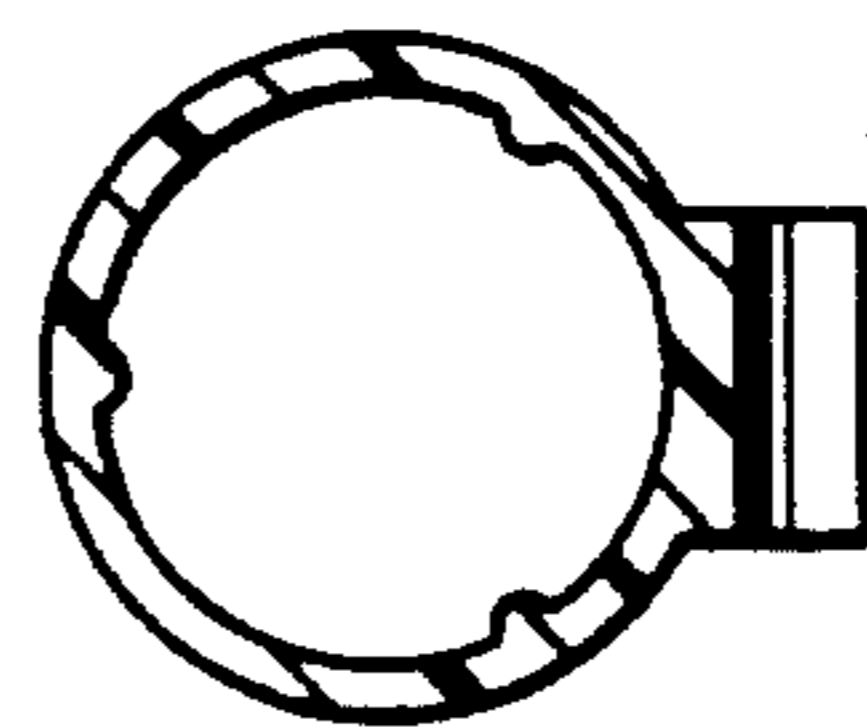


Fig.4.

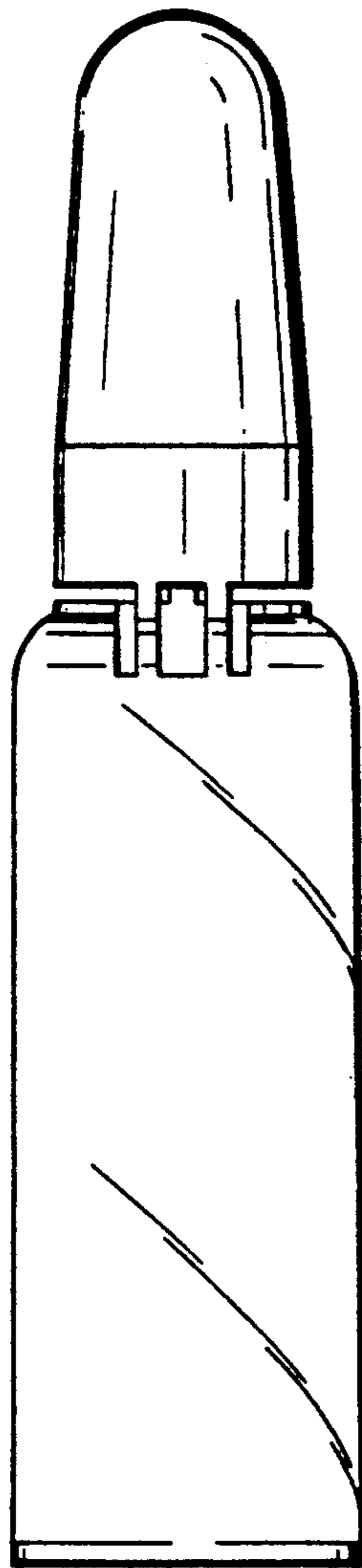


Fig. 5.