



US00D340516S

**United States Patent** [19]  
**Too**

[11] **Patent Number: Des. 340,516**  
[45] **Date of Patent: \*\* Oct. 19, 1993**

- [54] **SUPPORTING BASE FOR AN ELECTRIC FAN**
- [76] **Inventor: Charlie Too, No. 83, Pei Chuang Rd., Shern Kang Hsiang, Taichung Hsien, Taiwan, Taiwan**
- [\*\*] **Term: 14 Years**
- [21] **Appl. No.: 1,334**
- [22] **Filed: Nov. 10, 1992**
- [52] **U.S. Cl. .... D23/411; D6/499**
- [58] **Field of Search ..... D23/411, 370; D6/489, D6/455, 499; 248/676; 416/244 R**

[56] **References Cited**

**U.S. PATENT DOCUMENTS**

- D. 171,639 3/1954 Clemens, Jr. .... D6/489
- D. 187,929 5/1960 Rensch ..... D6/461
- D. 209,935 1/1968 Dean ..... D23/378

*Primary Examiner*—Wallace R. Burke

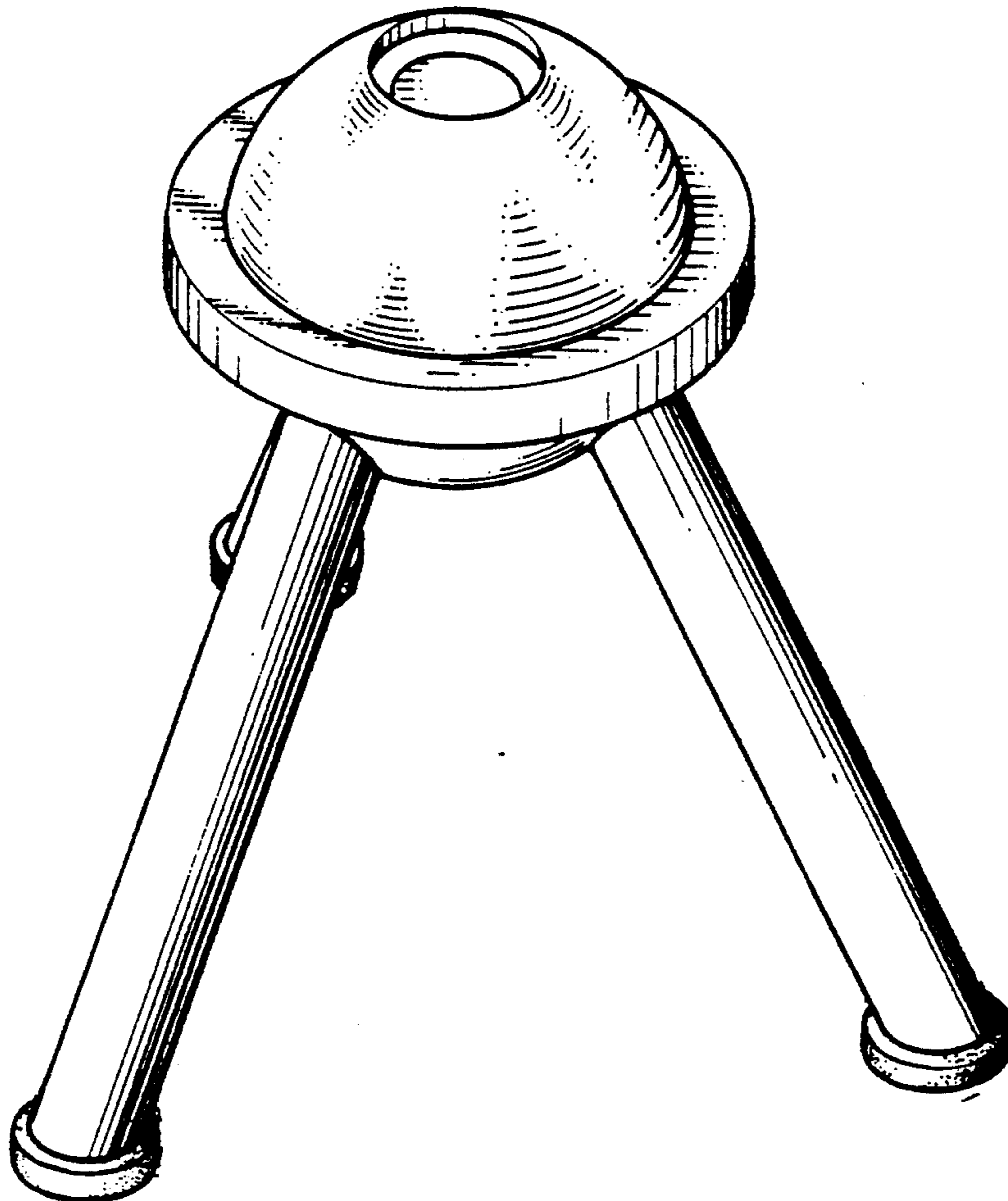
*Assistant Examiner*—Lisa Lichtenstein  
*Attorney, Agent, or Firm*—Poms, Smith, Lande & Rose

[57] **CLAIM**

The ornamental design for a supporting base for an electric fan, as shown and described.

**DESCRIPTION**

FIG. 1 is a front perspective view of a supporting base for an electric fan showing my new design;  
 FIG. 2 is a front elevational view thereof;  
 FIG. 3 is a rear elevational view thereof;  
 FIG. 4 is a top plan view thereof;  
 FIG. 5 is a bottom plan view thereof;  
 FIG. 6 is a left side elevational view thereof, the right side being a mirror image of that shown; and,  
 FIG. 7 is a right and top perspective view thereof, on a reduced scale shown in use.  
 The broken line showing of a fan, in FIG. 7, is for illustrative purposes only and forms no part of the claimed design.



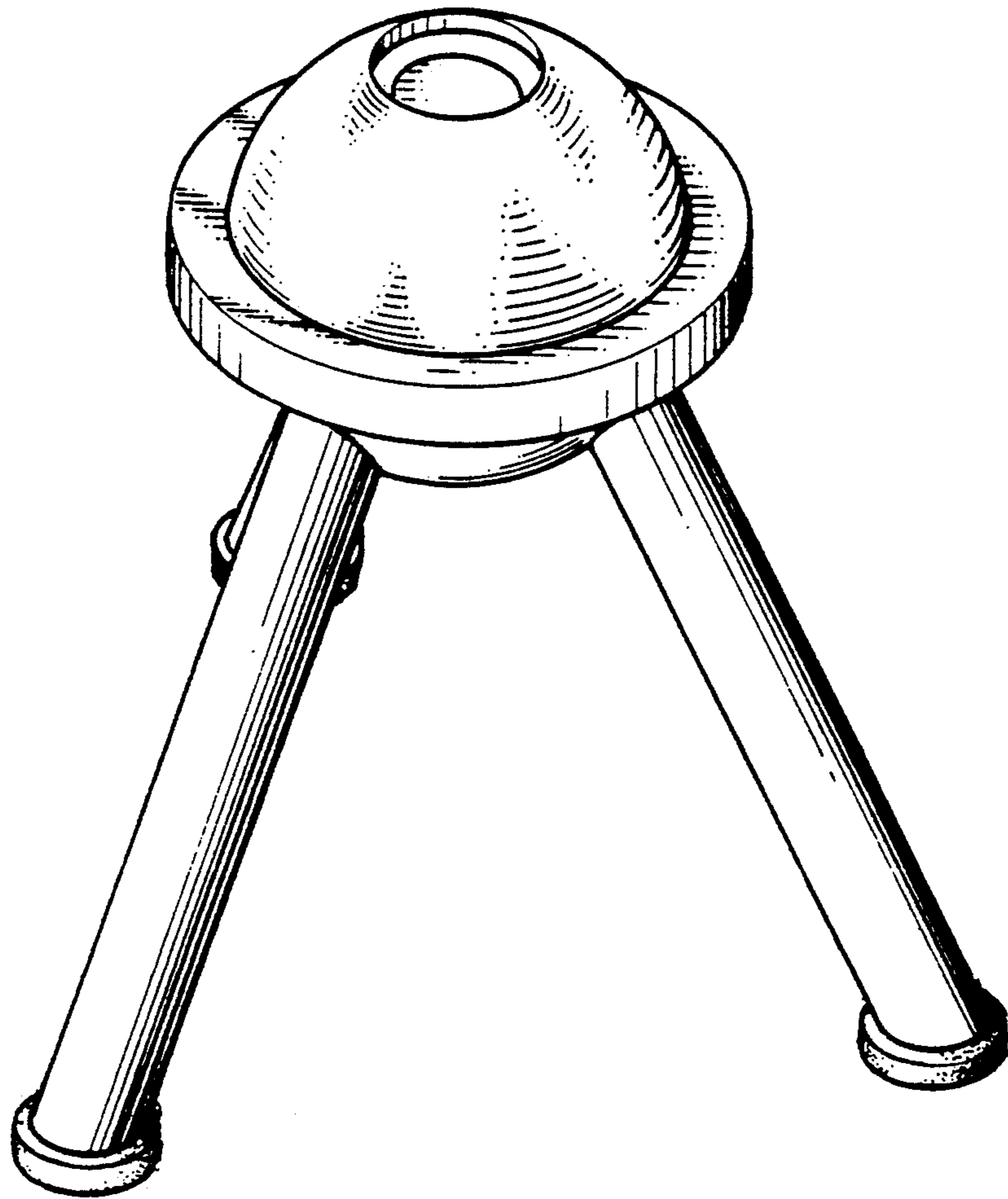


FIG. 1

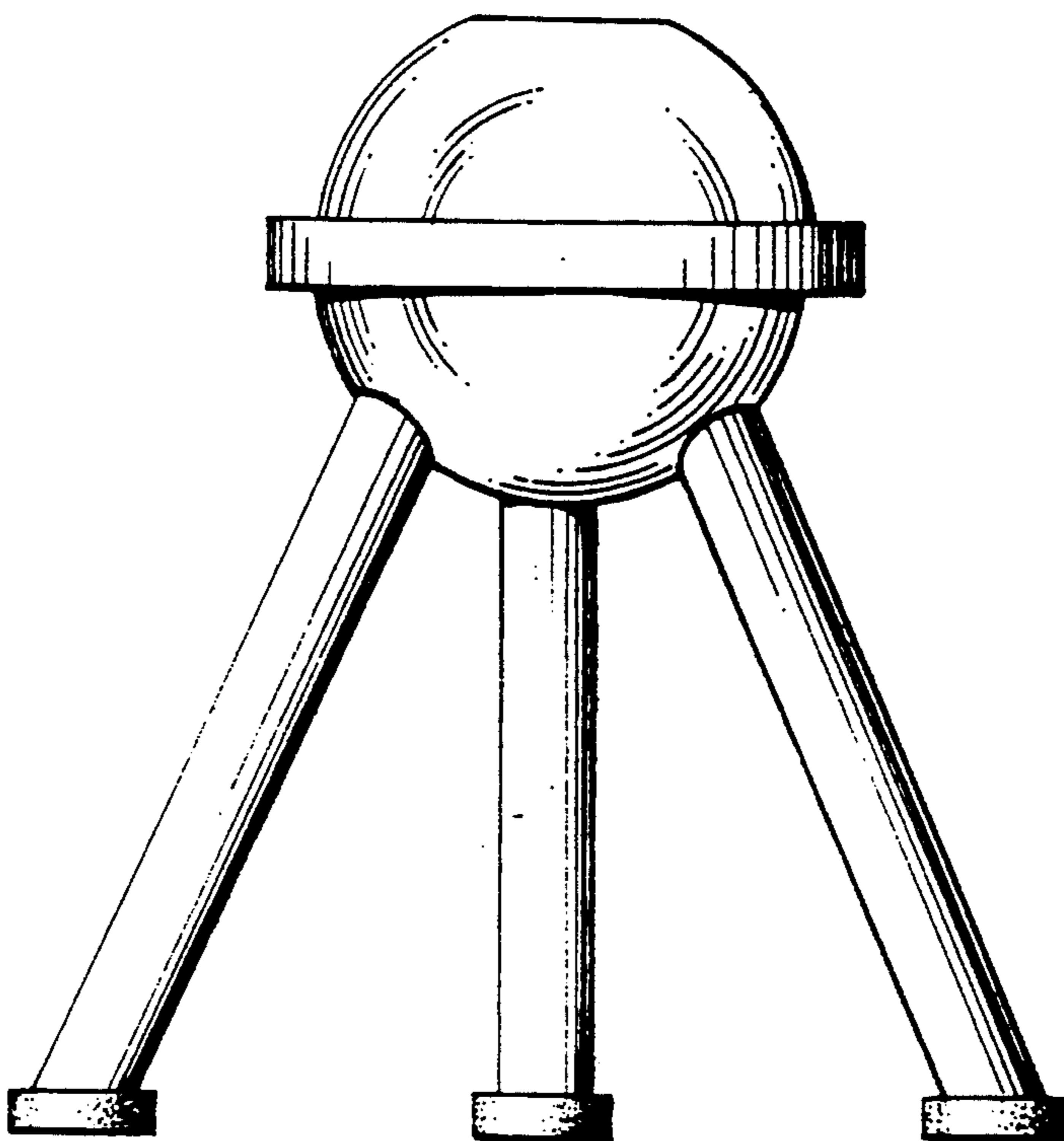


FIG. 2

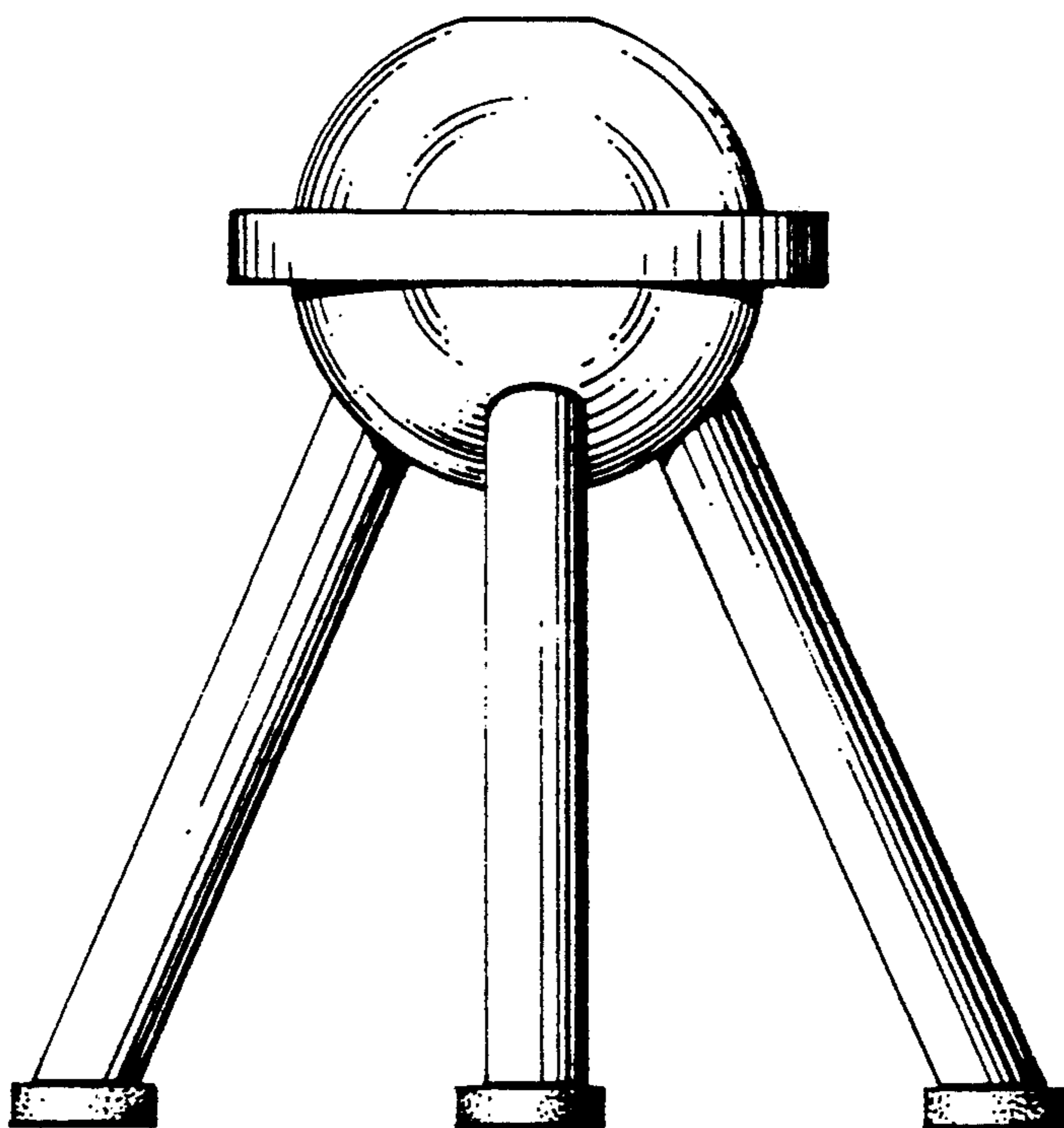


FIG. 3

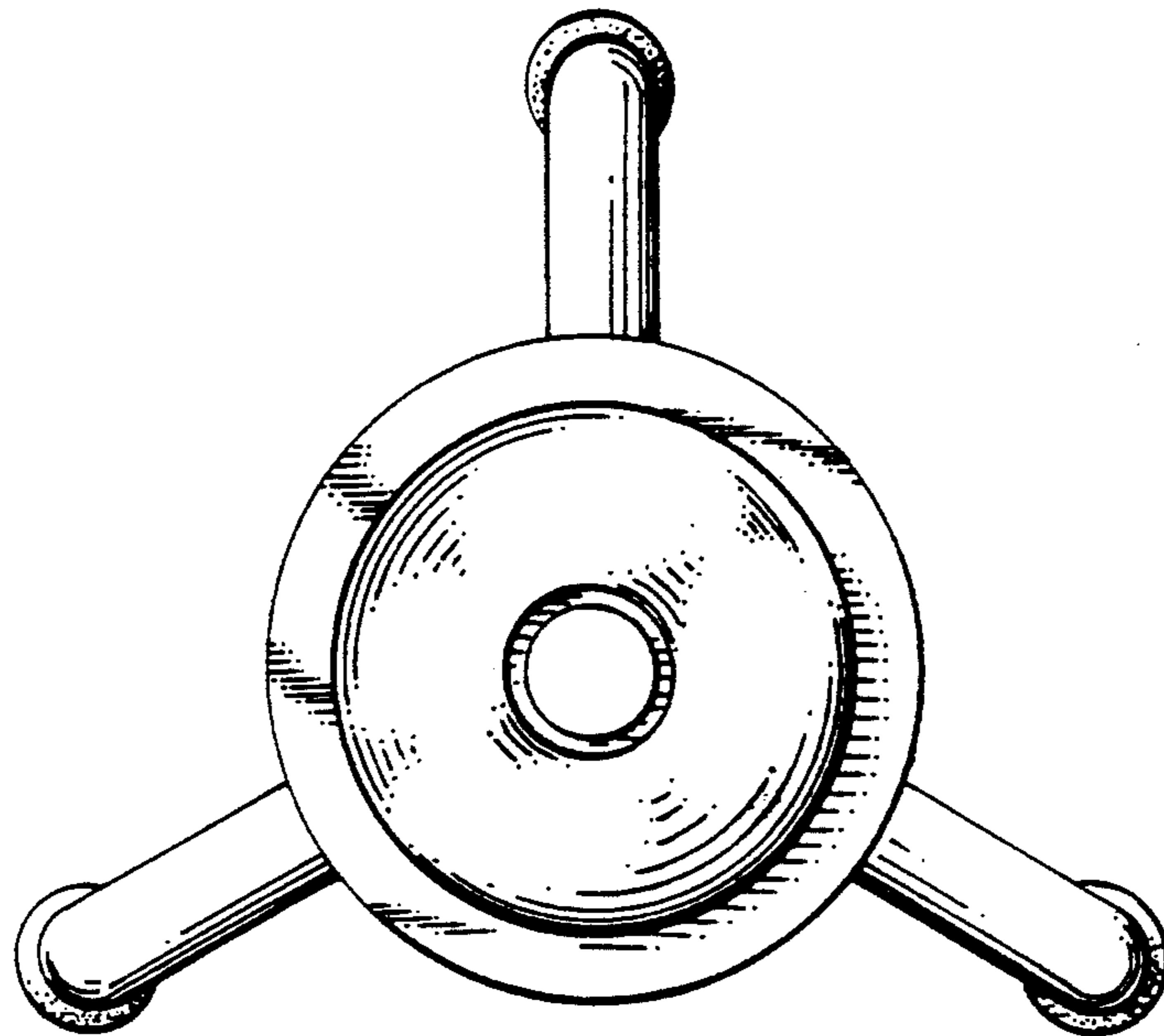


FIG. 4

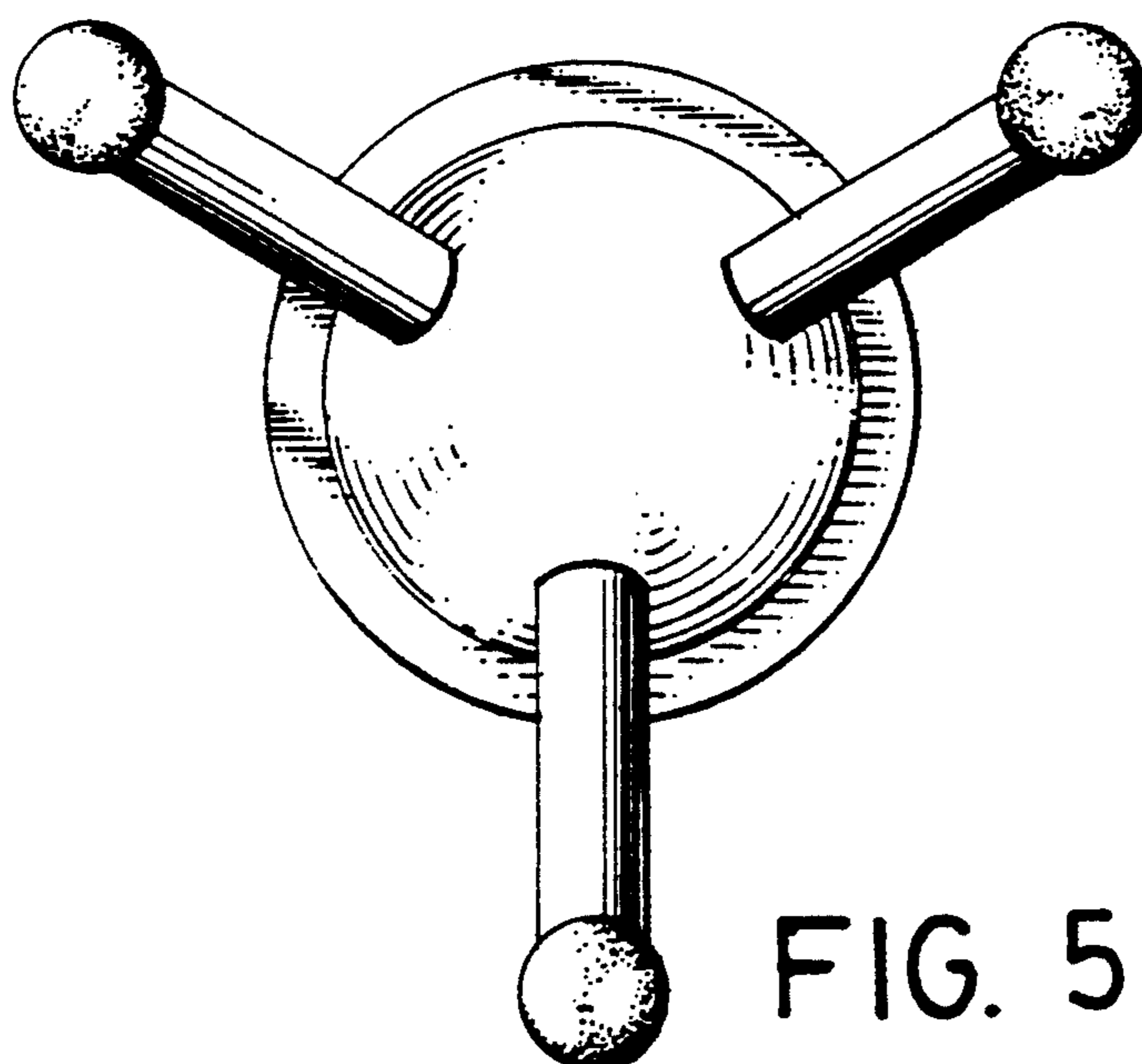


FIG. 5

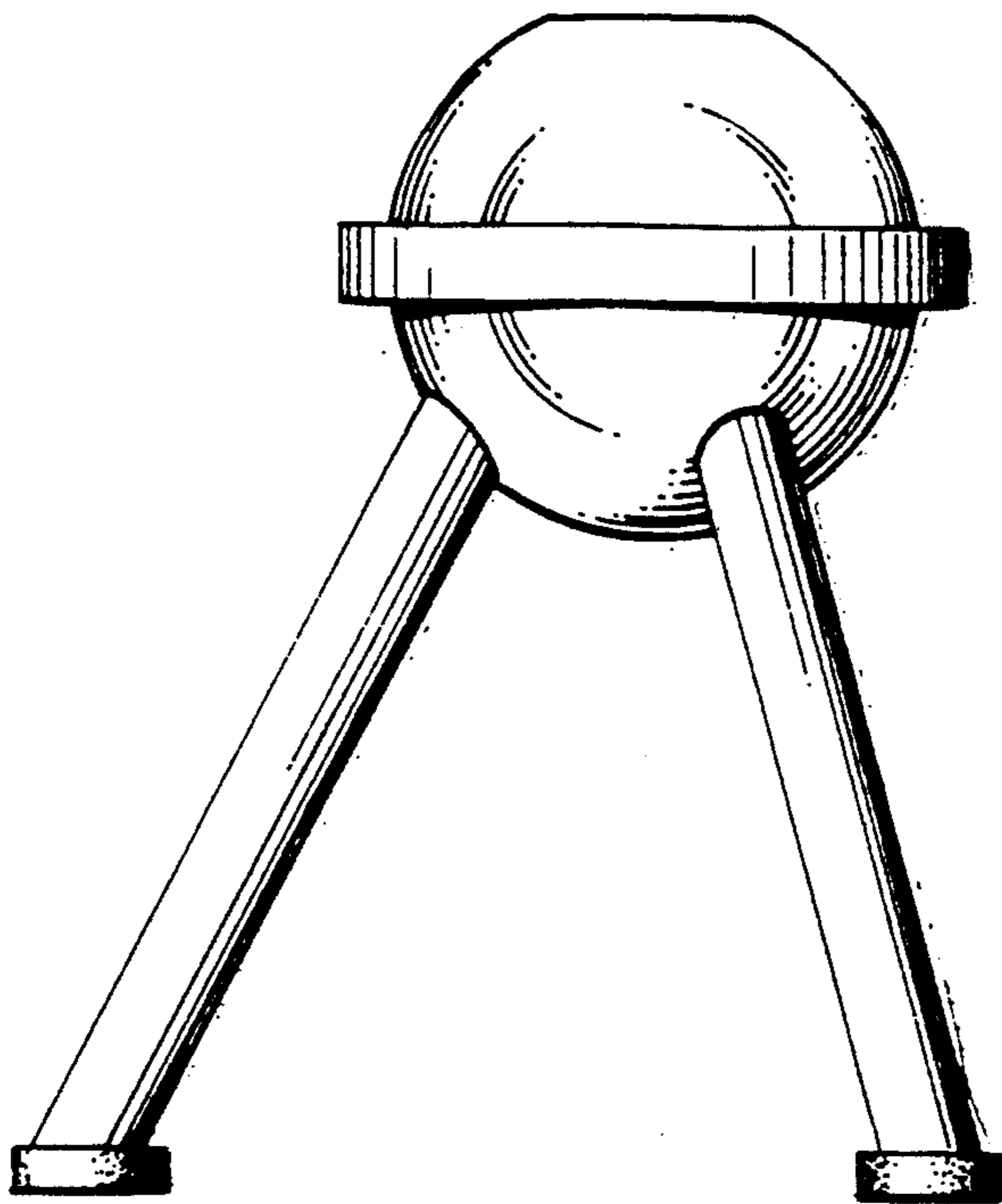


FIG. 6

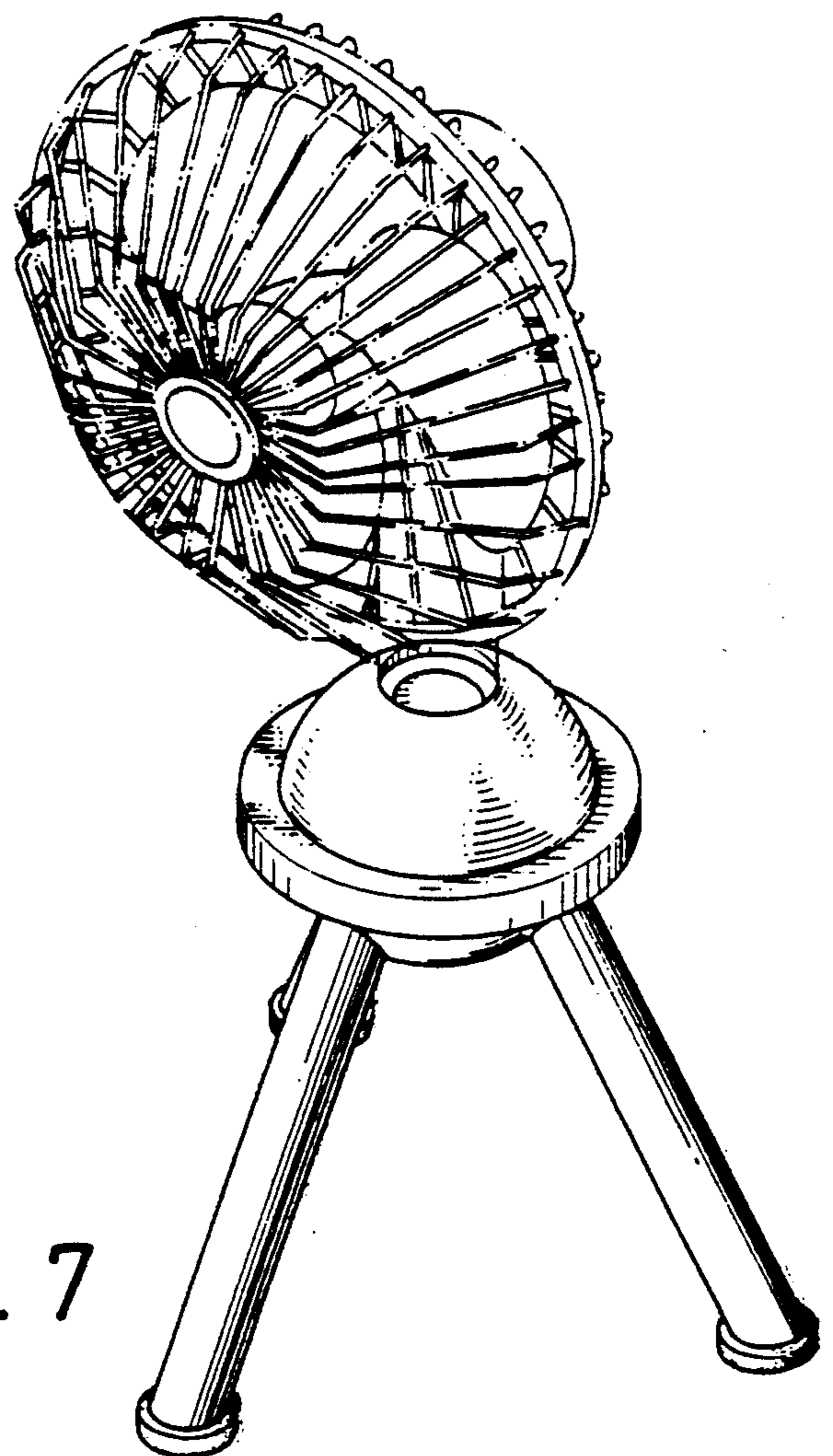


FIG. 7