



US00D340506S

United States Patent [19]

[11] Patent Number: **Des. 340,506**

Sauter et al.

[45] Date of Patent: **** Oct. 19, 1993**

[54] **SPOUT**

[75] Inventors: **Bruce M. Sauter**, Elgin, Ill.; **Jackie J. Wolverton**, Point Marion, Pa.; **Kevin G. Short**, Midlothian, Ill.

[73] Assignee: **Sterling Plumbing Group, Inc.**, Schaumburg, Ill.

[**] Term: **14 Years**

[21] Appl. No.: **819,535**

[22] Filed: **Jan. 10, 1992**

[52] U.S. Cl. **D23/255**

[58] Field of Search **D23/238-243, D23/255-257; 4/675-678; 137/801**

[56] **References Cited**

U.S. PATENT DOCUMENTS

D. 140,692	3/1945	Judell	D23/255
D. 187,845	5/1960	Kohler	D23/255
D. 193,885	10/1962	Andrews	D23/238
D. 213,874	4/1969	Landell et al.	D23/238
D. 219,779	1/1971	Tiller	D23/238
D. 221,429	8/1971	Petterson	D23/255
4,337,795	7/1982	Argyris et al.	137/625.17
4,457,342	7/1984	Moen	4/678 X
4,763,693	8/1988	Valley	137/801
4,804,010	2/1989	Maissenburg	4/675 X

OTHER PUBLICATIONS

Delta Delex Faucets brochure (©) 1976, p. 4, Model 100, Copy in Group 2900.
Undated Sterling ad, admitted prior art, showing Top Brass long faucet spouts.

Undated Hansa ad, admitted prior art, for various Hansamix faucets.

Undated Union Brass ad, admitted prior art, showing the 411 spout.

Page 24 from undated Reliant catalogue, admitted prior art, showing Ultramix spouts.

An undated Sterling ad, admitted prior art, showing the Top Brass Single Control Spout.

An undated, admitted prior art, Eljer ad, showing the Cherbourg 713-6140 spout.

Primary Examiner—James R. Largen
Attorney, Agent, or Firm—Quarles & Brady

[57] **CLAIM**

The ornamental design for a spout, as shown and described.

DESCRIPTION

FIG. 1 is a perspective view taken from the top, front and left side of a spout embodying our new design; FIG. 2 is a left side elevational view thereof, the right side being a mirror image of the left side; FIG. 3 is a top plan view thereof; FIG. 4 is a front elevational view thereof; FIG. 5 is a rear elevational view thereof; FIG. 6 is a cross sectional view taken along line 6—6 of FIG. 2; and, FIG. 7 is a cross sectional view taken on line 7—7 of FIG. 2.

The fragmentary broken line representations of other components of a faucet in which the spout of our new design might be used are for the purpose of illustration only and form no part of the claimed design.

The broken line representation of a control handle and base in FIG. 1 are for purposes of illustration only and form no part of the claimed design.

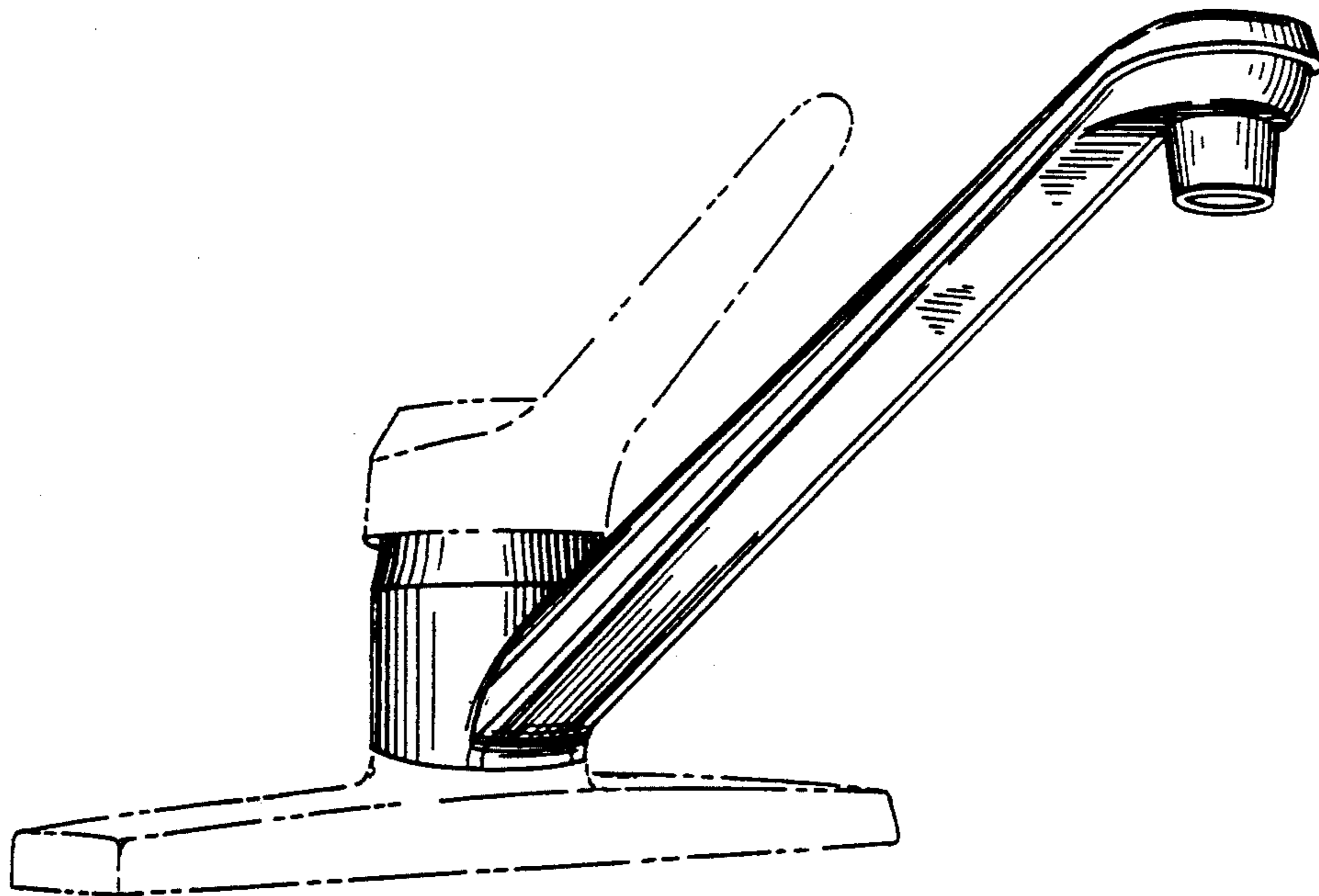


FIG. 1

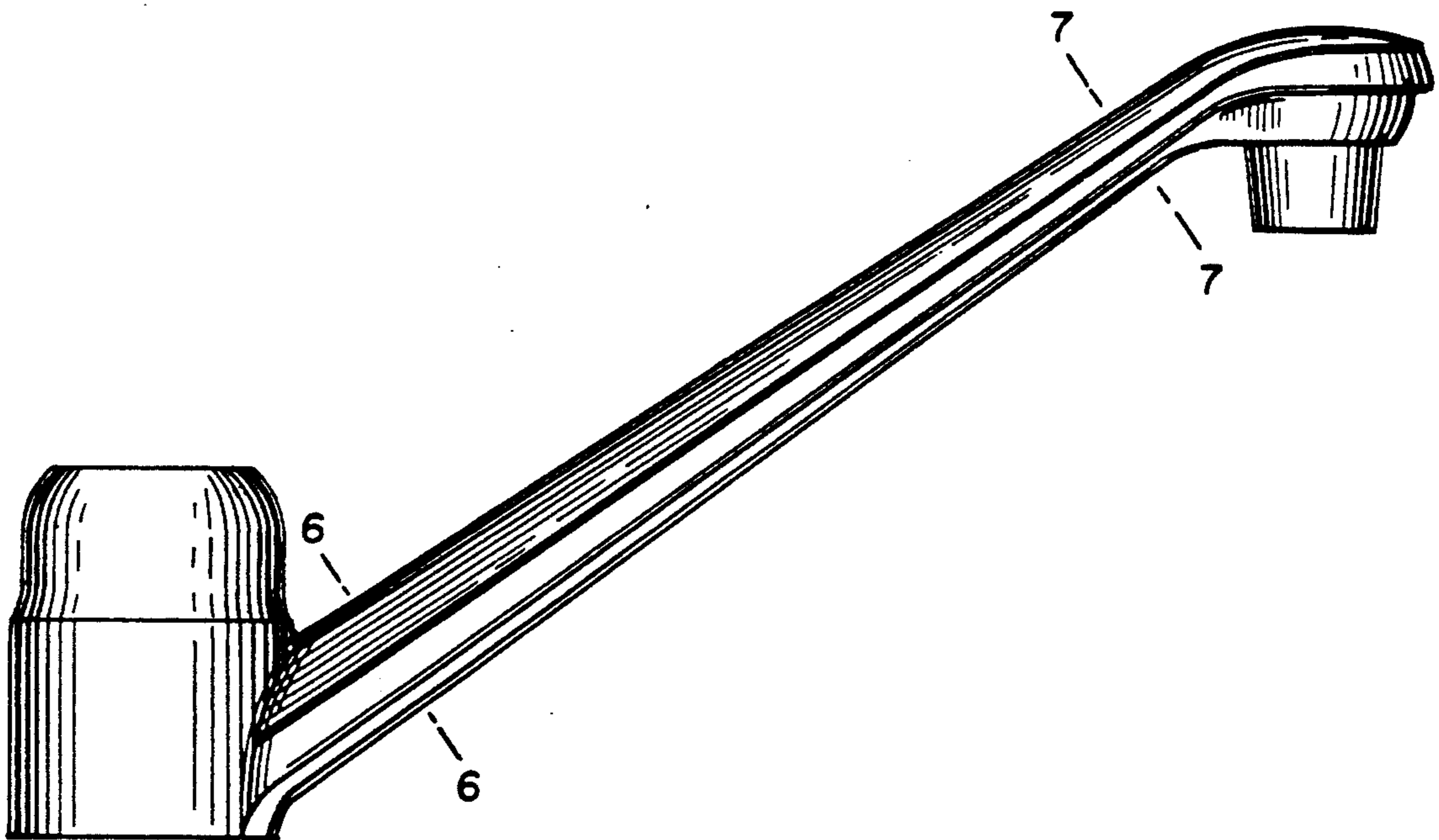
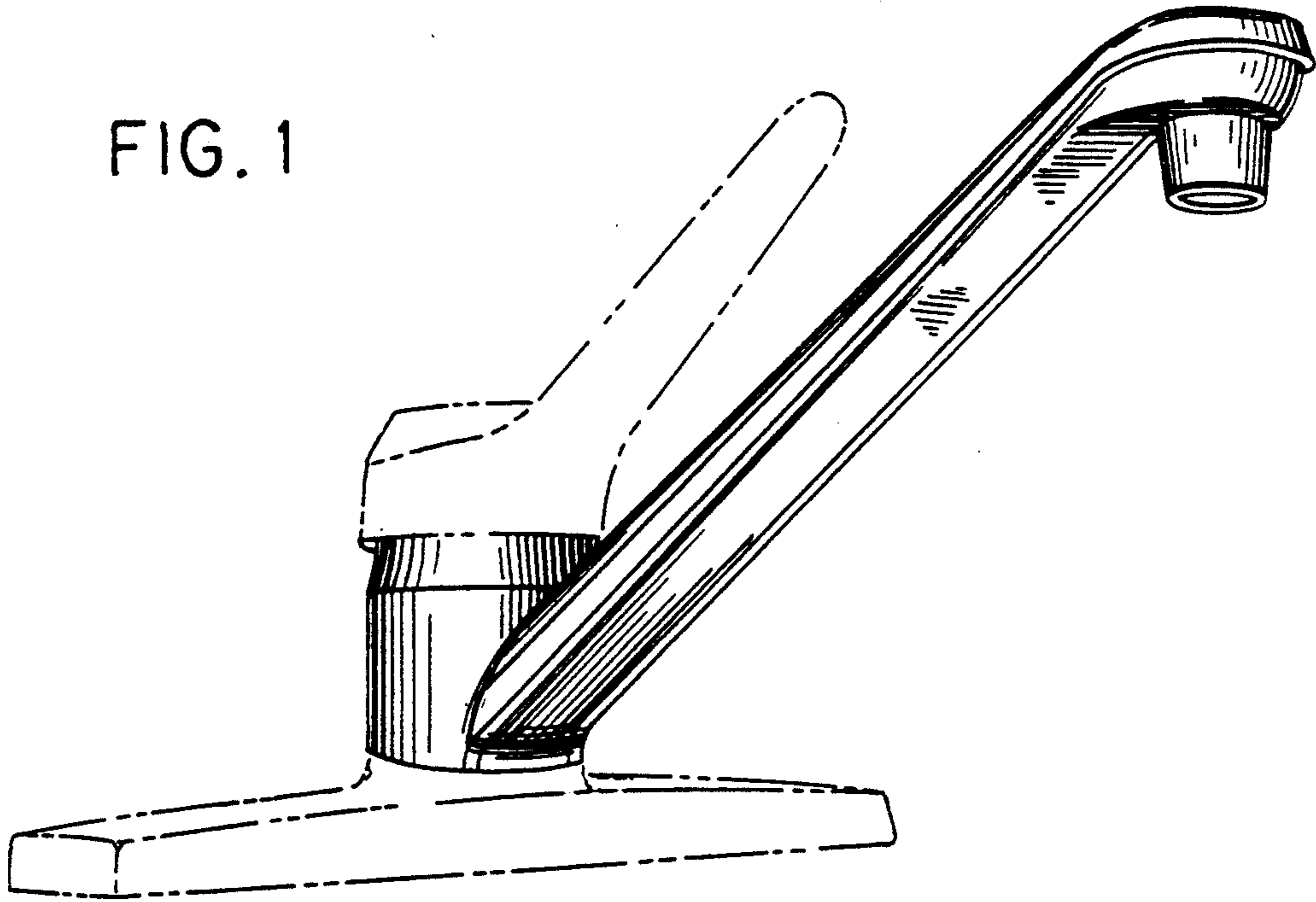


FIG. 2

UNITED STATES PATENT AND TRADEMARK OFFICE
CERTIFICATE OF CORRECTION

PATENT NO. : Des. 340,506

Page 1 of 2

DATED : October 19, 1993

INVENTOR(S) : Bruce M. Sauter, Jackie J. Wolverton and Kevin G.
Short

It is certified that error appears in the above-identified patent and that said Letters Patent is hereby corrected as shown below:

Add the Drawing Sheet consisting of FIGS. 3, 4, 5, 6, and 7, as shown on the attached page.

On the title page, under "DESCRIPTION", delete the following sentence:

[The fragmentary broken line representations of other components of a faucet in which the spout of our new design might be used are for the purpose of illustration only and form no part of the claimed design.]

Signed and Sealed this
Tenth Day of May, 1994

Attest:



BRUCE LEHMAN

Attesting Officer

Commissioner of Patents and Trademarks

BRUCE M. SAUTER, ET AL.
SHEET 2 OF 2
87-572-9115-1

FIG. 3

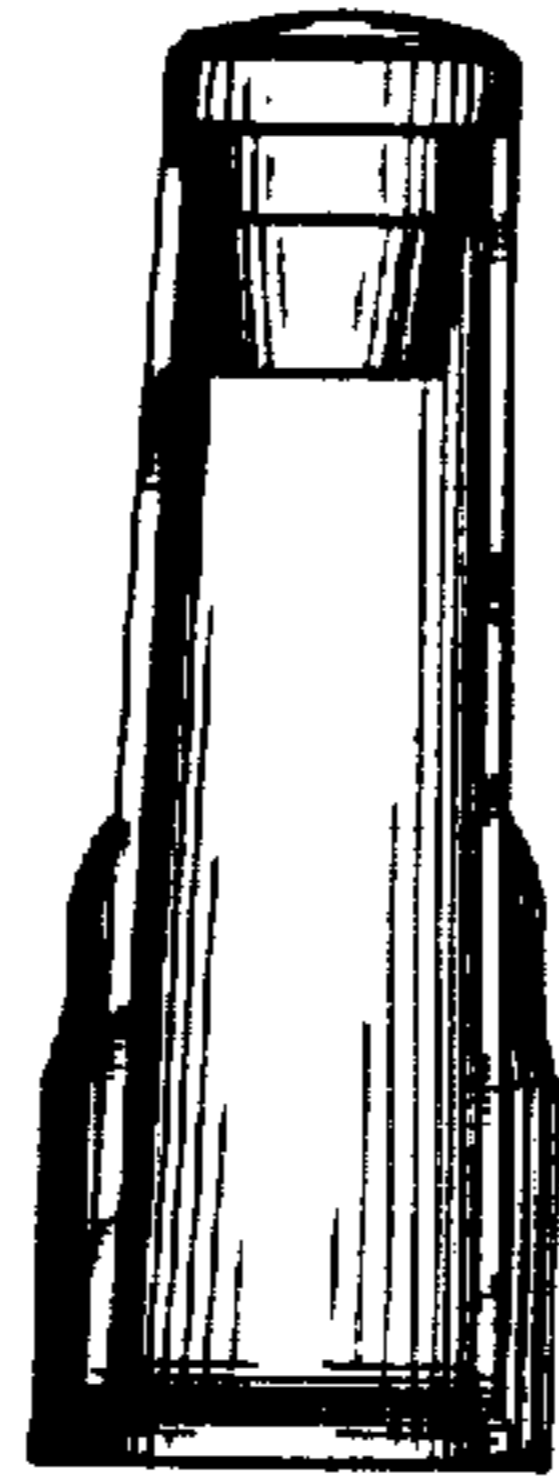
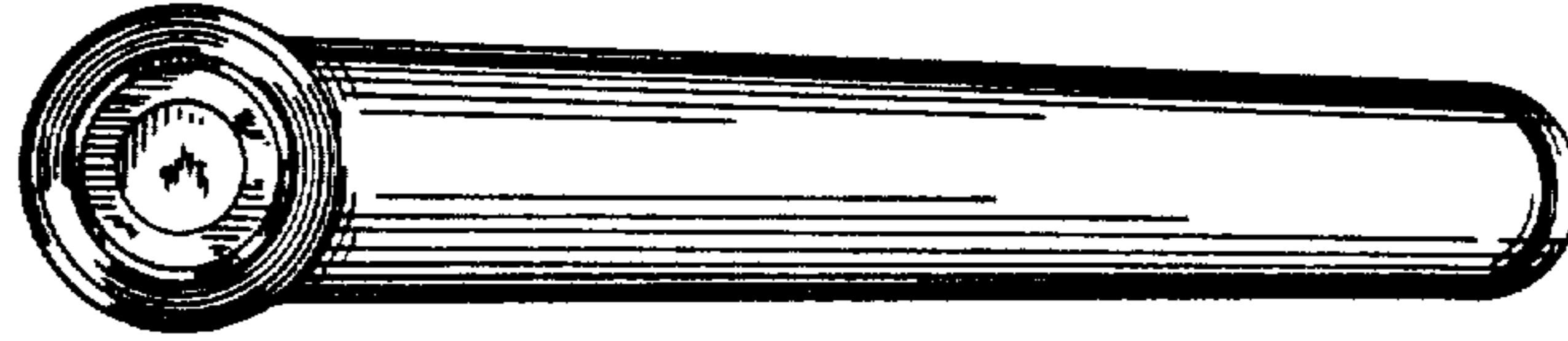


FIG. 4

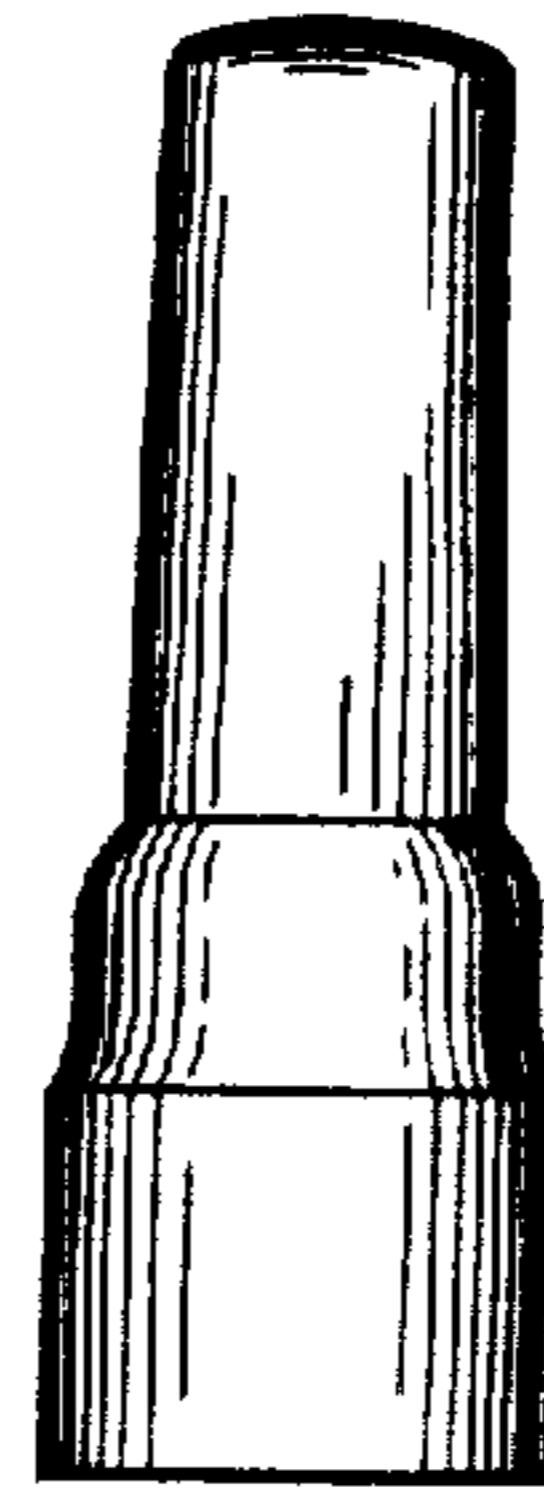


FIG. 5

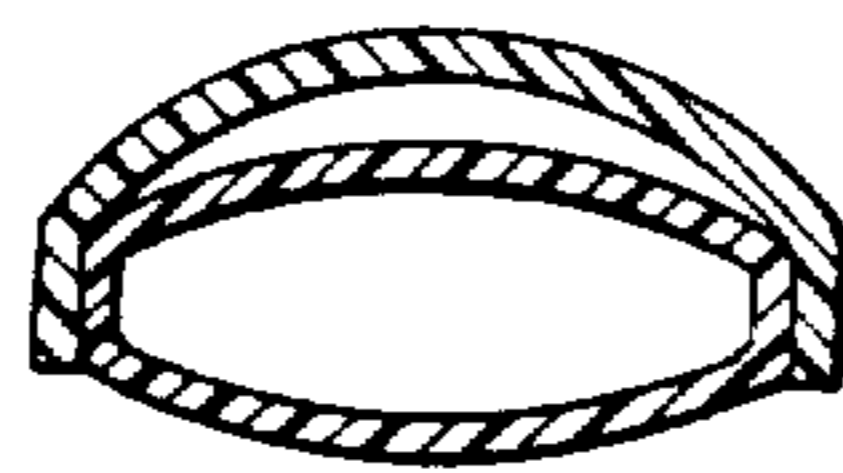


FIG. 6



FIG. 7