



US00D340504S

# United States Patent [19]

[11] Patent Number: **Des. 340,504**

Verrue

[45] Date of Patent: **\*\* Oct. 19, 1993**

[54] CONTAINER FOR LIQUEFIED GAS

[56] References Cited

[75] Inventor: **Guy Verrue, Elbeuf, France**

### U.S. PATENT DOCUMENTS

[73] Assignee: **CMB Packaging S.A.,  
Boulogne-sur-Seine, France**

D. 239,506	4/1976	Myers .....	D23/202
D. 264,994	6/1982	Ripley .....	D23/204 X
D. 266,486	10/1982	Lütz .....	D23/202 X
D. 289,746	5/1987	Reisgres et al. ....	D23/204 X
D. 297,709	9/1988	Willerup .....	D9/549
3,208,620	9/1965	Herdering .....	D9/549 X

[\*\*] Term: **14 Years**

*Primary Examiner*—Wallace R. Burke  
*Assistant Examiner*—M. H. Tung  
*Attorney, Agent, or Firm*—Young & Thompson

[21] Appl. No.: **740,476**

### [57] CLAIM

[22] Filed: **Aug. 6, 1991**

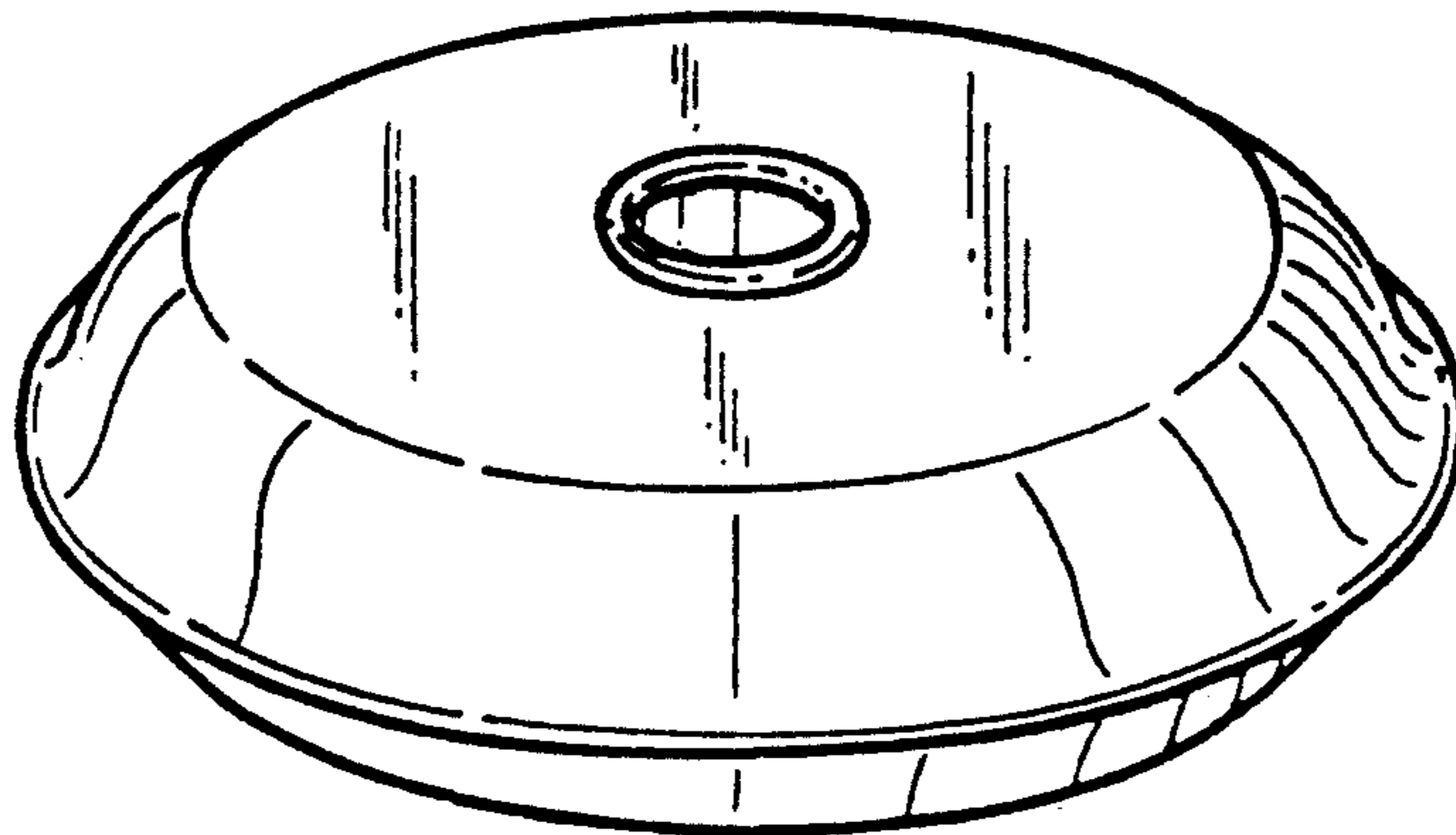
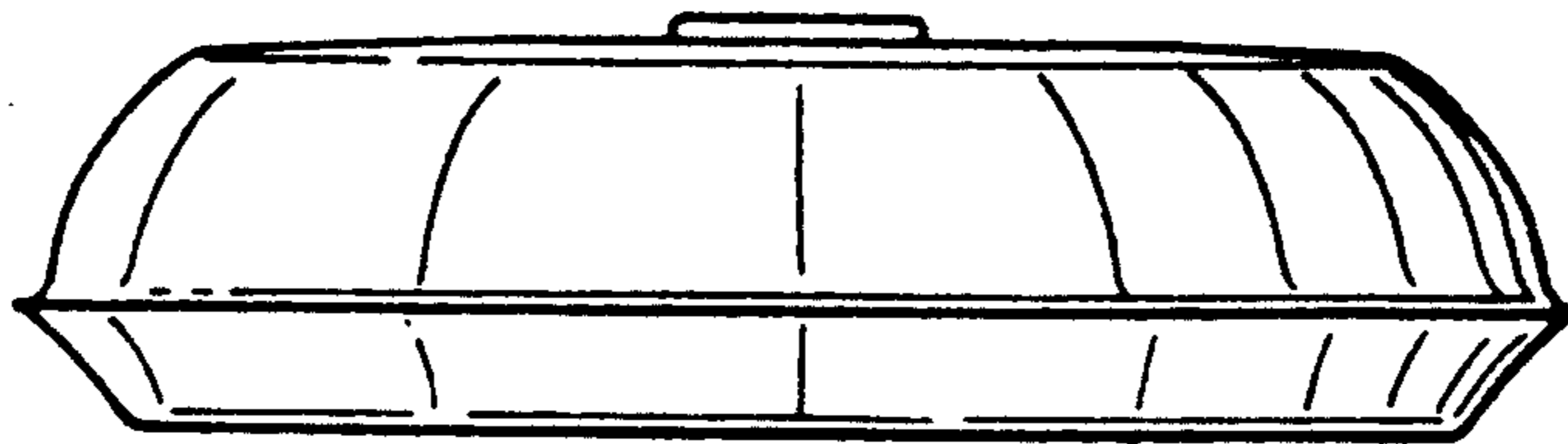
The ornamental design for a container for liquefied gas, as shown and described.

### [30] Foreign Application Priority Data

Feb. 20, 1991 [FR]	France .....	911 019
[52] U.S. Cl. ....		D23/202
[58] Field of Search .....	220/561, 565, 1.5, 2, 220/566, 4.12, 901; D23/202-205; D9/549, 551, 564, 574	

### DESCRIPTION

FIG. 1 is a side elevational view showing my new design, all sides being identical;  
FIG. 2 is a top plan view thereof;  
FIG. 3 is a bottom plan view thereof; and,  
FIG. 4 is a top and side perspective view thereof.



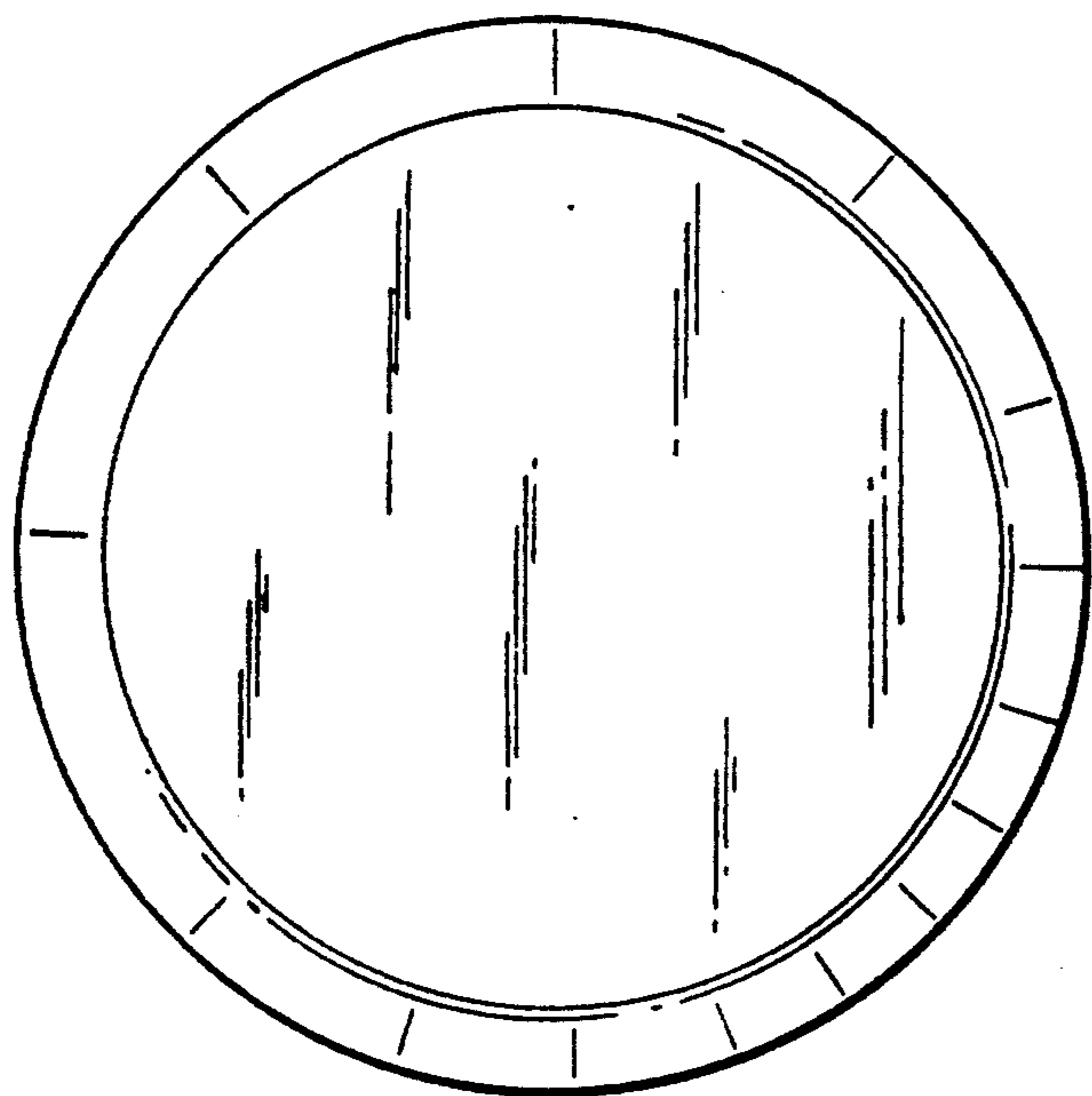


FIG. 3

FIG. 1

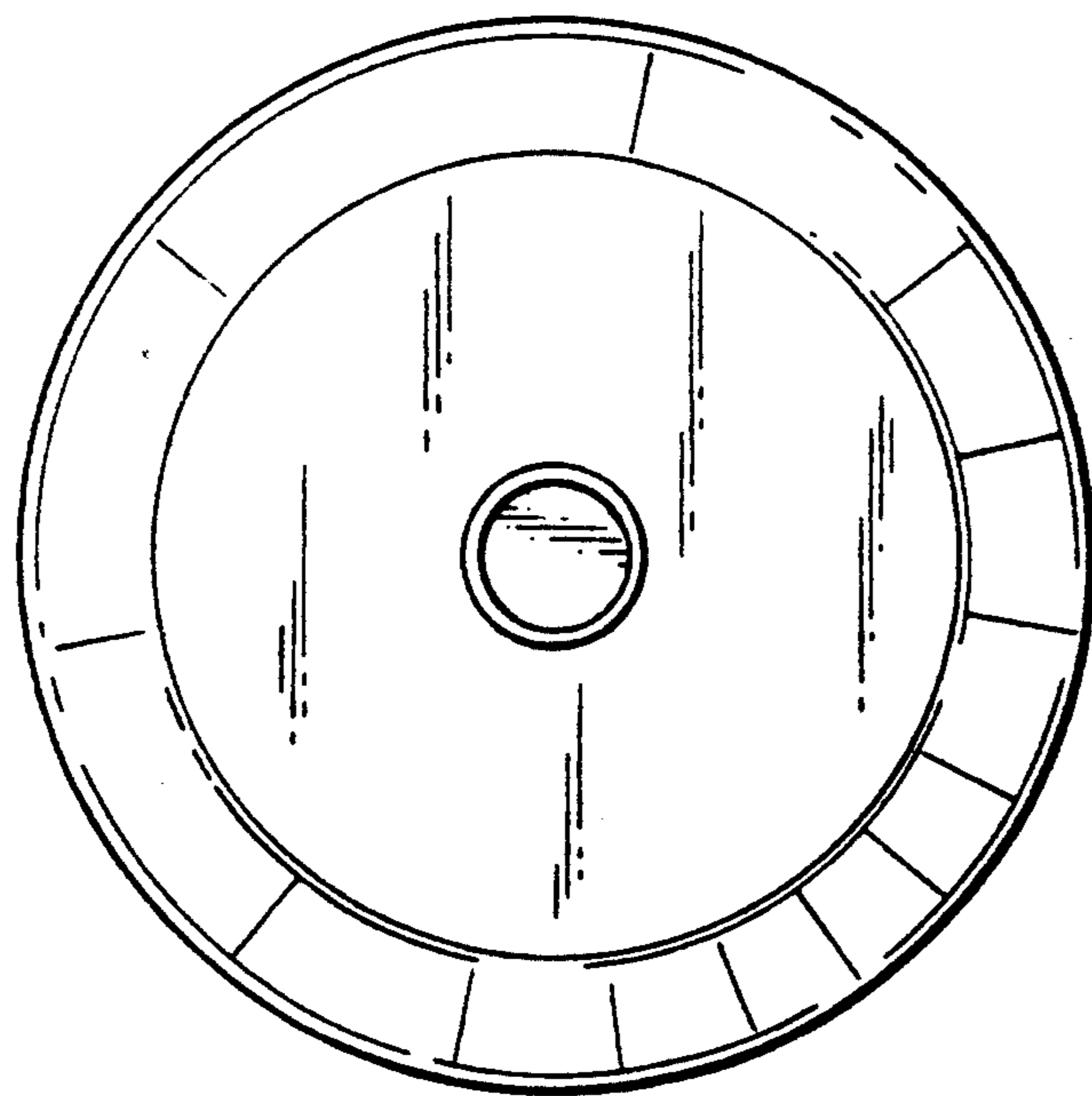
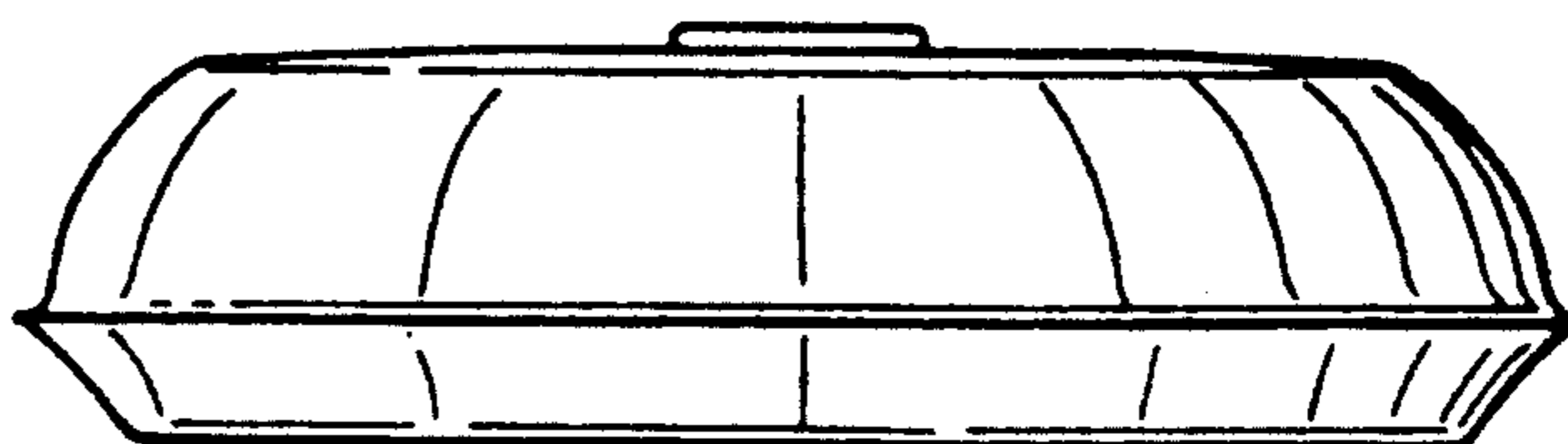


FIG. 2

FIG. 4

