



US00D340498S

United States Patent [19]

[11] Patent Number: Des. 340,498

Warren et al.

[45] Date of Patent: ** Oct. 19, 1993

[54] **PLAY EQUIPMENT INCLUDING A HORIZONTAL CYLINDER FOR CRAWLING**

3,536,324 10/1970 Ahrens 472/137
4,629,182 12/1986 Rader .

[75] Inventors: Mitchell R. Warren, Charlotte; Dana W. Ingold, Salisbury, both of N.C.

[73] Assignee: Restaurant Technology, Inc., Oak Brook, Ill.

[**] Term: 14 Years

[21] Appl. No.: 830,268

[22] Filed: Feb. 4, 1992

[52] U.S. Cl. D21/242

[58] Field of Search D21/240-252;
472/45, 92, 116, 117, 126, 134, 136, 137;
446/70, 168, 220, 221, 476, 106, 110; 482/35,
48, 78

[56] **References Cited**

U.S. PATENT DOCUMENTS

D. 218,459	8/1970	Dattner	D21/245
D. 219,603	12/1970	Wormser	D21/245
D. 232,314	8/1974	Markusen	D21/245
D. 244,556	5/1977	Burgess et al.	D21/245
D. 244,788	6/1977	Burgess et al.	D21/245
3,485,494	12/1969	Lieberman	D21/245 X

OTHER PUBLICATIONS

Dumus, May 1967, p. 43, bottom of the page.
Western Architect and Engineer, Jul. 1960 p. 39, as shown.
Mexico Forge, Jun. 1984, p. 49.
Miracle Recreation Eqpt Co., Feb. 1973 p. 50.

Primary Examiner—Prabhakar G. Deshmukh
Attorney, Agent, or Firm—Jenner & Block

[57] **CLAIM**

The ornamental design for play equipment including a horizontal cylinder for crawling, as shown and described.

DESCRIPTION

FIG. 1 is a perspective view of play equipment including a horizontal cylinder for crawling showing our new design;
FIG. 2 is a top plan view thereof;
FIG. 3 is a front elevation view thereof which is a mirror image of the rear elevation view thereof; and,
FIG. 4 is right side elevation view thereof that is a mirror image of the left side elevation view thereof.

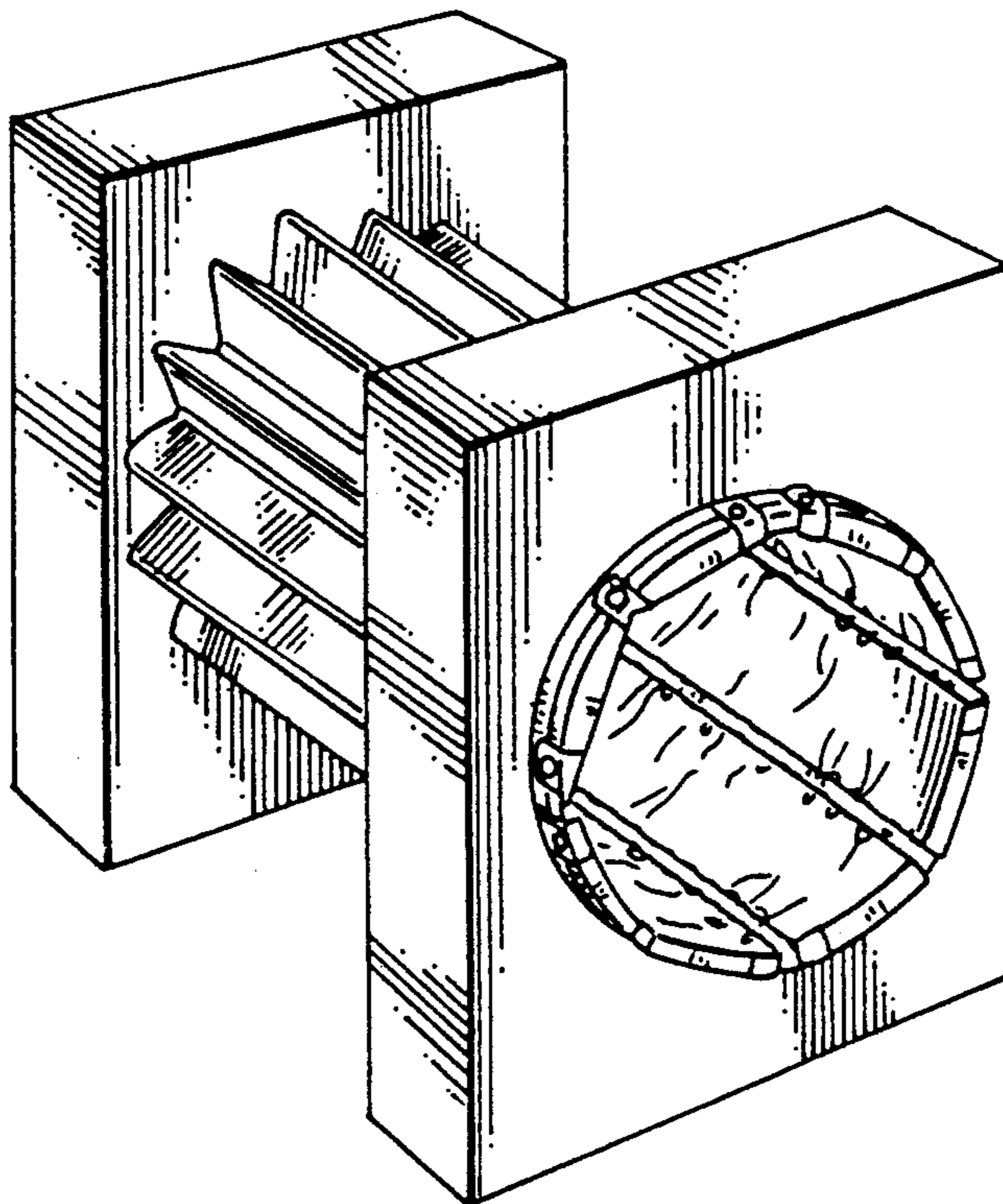


FIG. 1

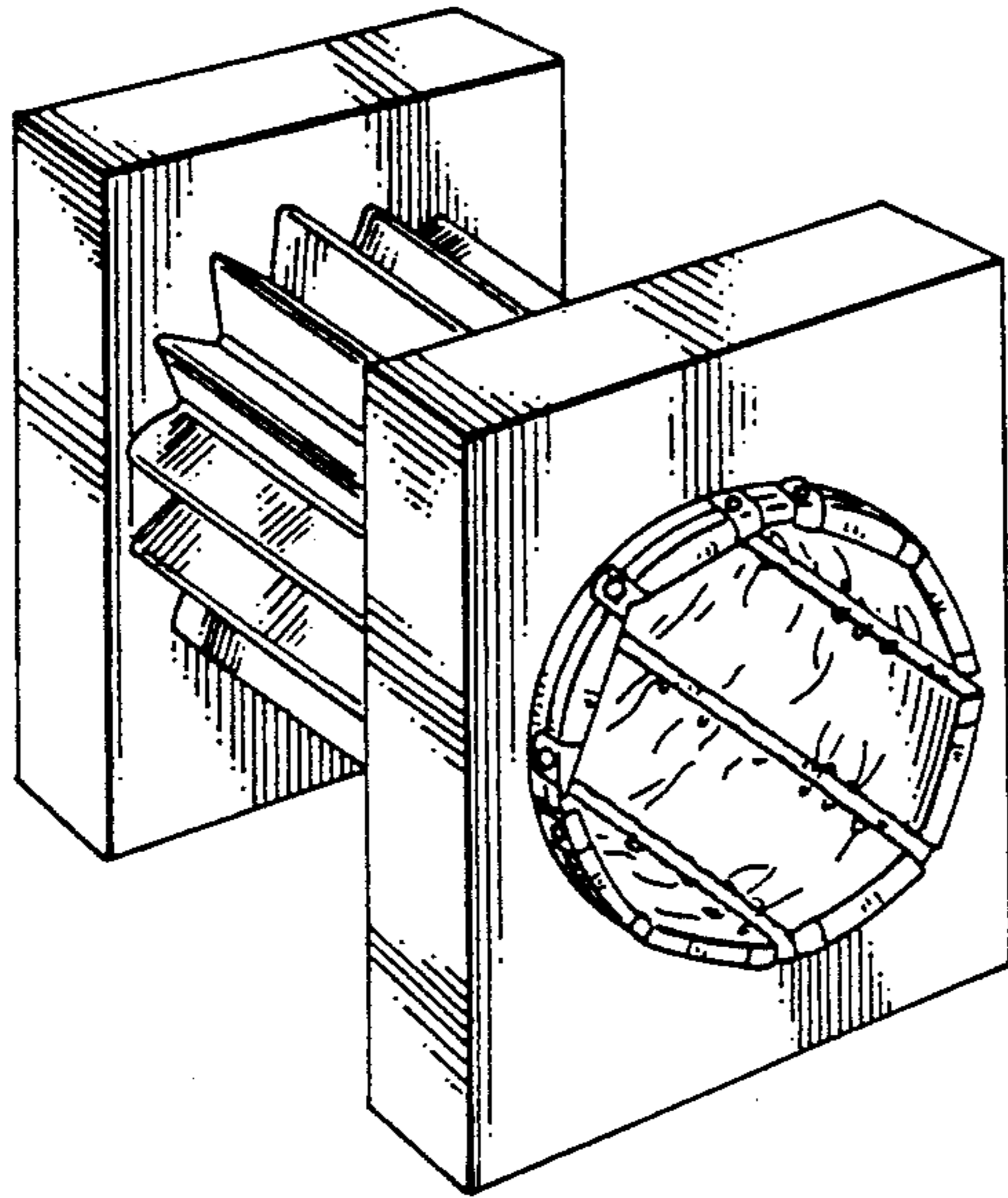


FIG. 2

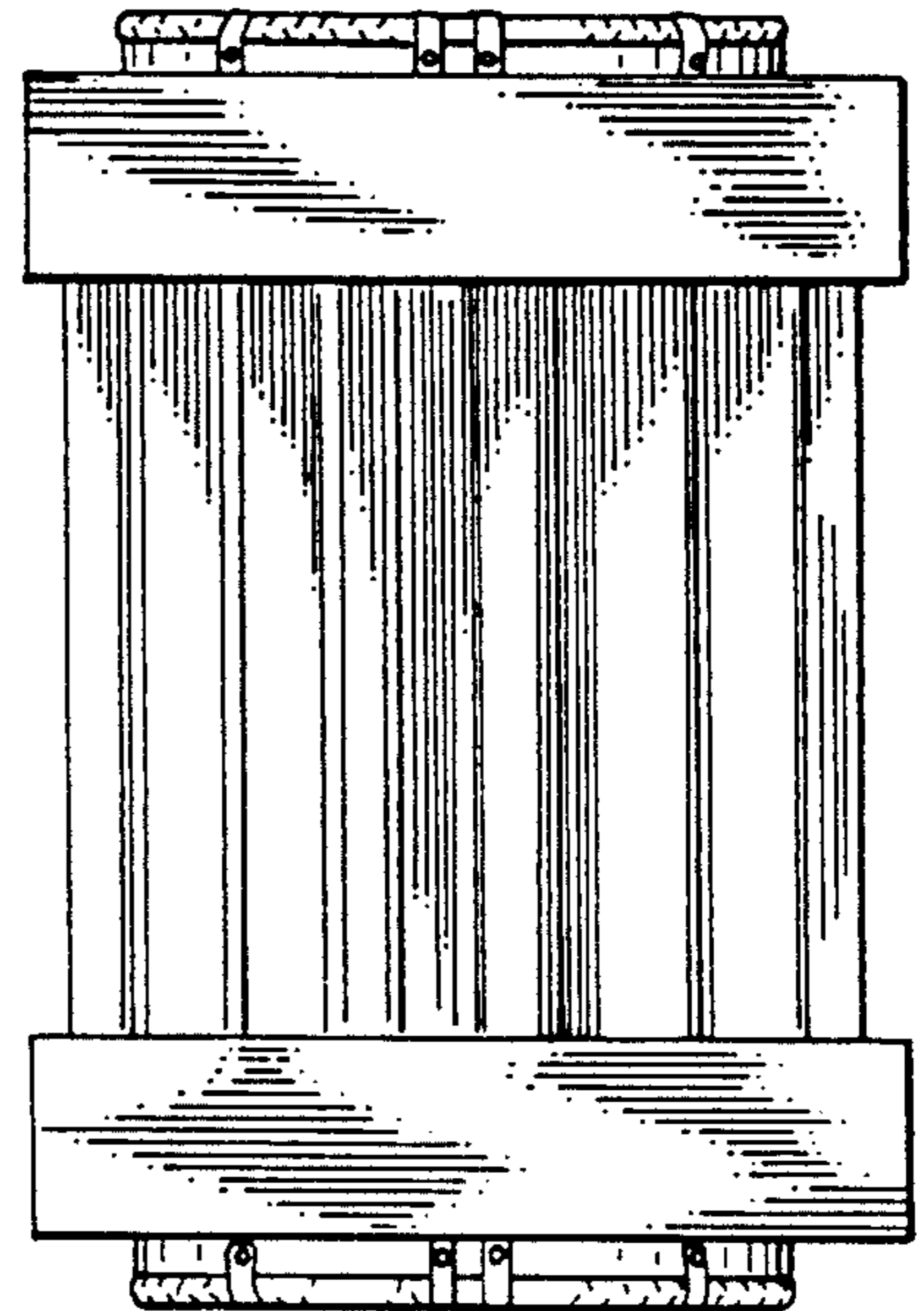


FIG. 3

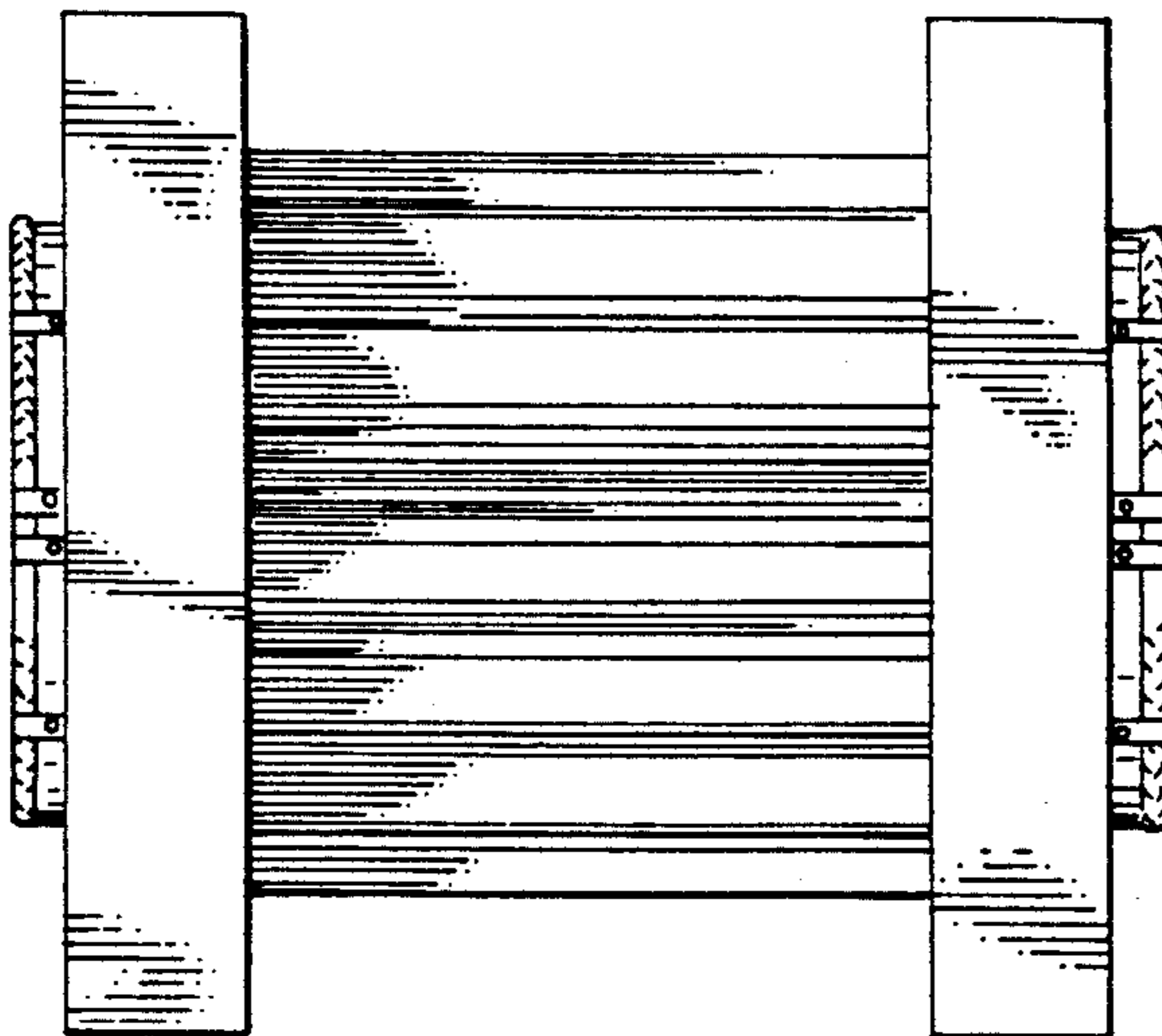


FIG. 4

