



US00D340495S

United States Patent [19]

[11] Patent Number: Des. 340,495

Mitch et al.

[45] Date of Patent: ** Oct. 19, 1993

[54] SKI TUBE

4,708,676 11/1987 Lin 441/67

[76] Inventors: Joseph E. Mitch; Klara D. Mitch,
both of 25 Pamaron Way, Novato,
Calif. 94949

Primary Examiner—Kay H. Chin
Attorney, Agent, or Firm—Larry D. Johnson

[**] Term: 14 Years

[57] CLAIM

The ornamental design for a ski tube, as shown and described.

[21] Appl. No.: 783,090

[22] Filed: Oct. 28, 1991

[52] U.S. Cl. D21/229; D21/237

[58] Field of Search D21/228, 229, 236, 237;
441/113, 127, 116, 88, 131; 114/346, 345

DESCRIPTION

FIG. 1 is a perspective view of a ski tube showing my new design;

FIG. 2 is a front elevational view thereof;

FIG. 3 is a right side elevational view thereof, the opposite side being a mirror image;

FIG. 4 is a rear elevational view thereof;

FIG. 5 is a top plan view thereof;

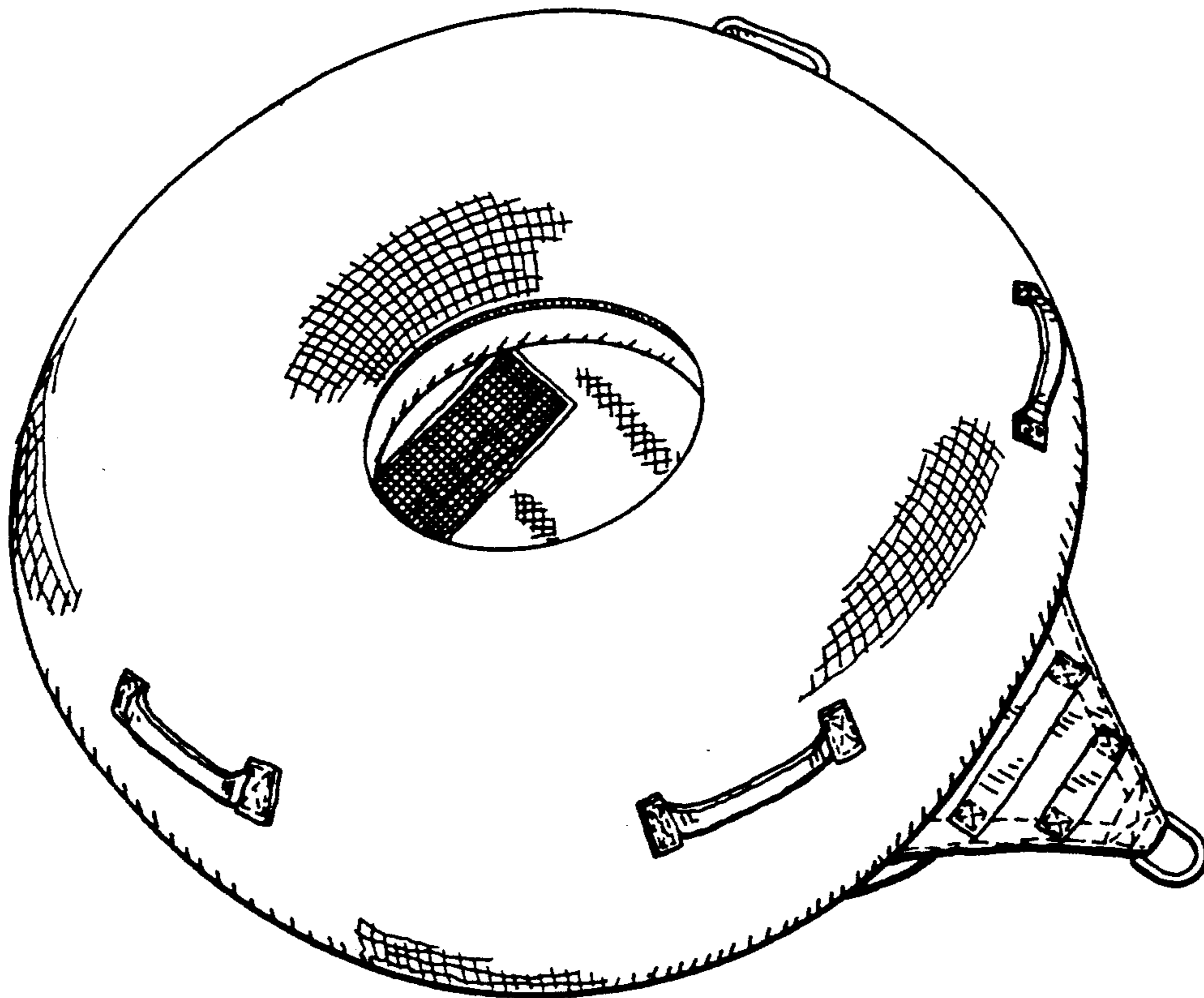
FIG. 6 is a bottom plan view thereof; and,

FIG. 7 is a a front elevation cross-sectional view thereof.

[56] References Cited

U.S. PATENT DOCUMENTS

D. 305,449	1/1990	Rundquist, Jr.	D21/237
4,427,394	1/1984	Felter	441/66
4,619,620	10/1986	Felter	441/66
4,635,581	1/1987	Scheurer	441/67



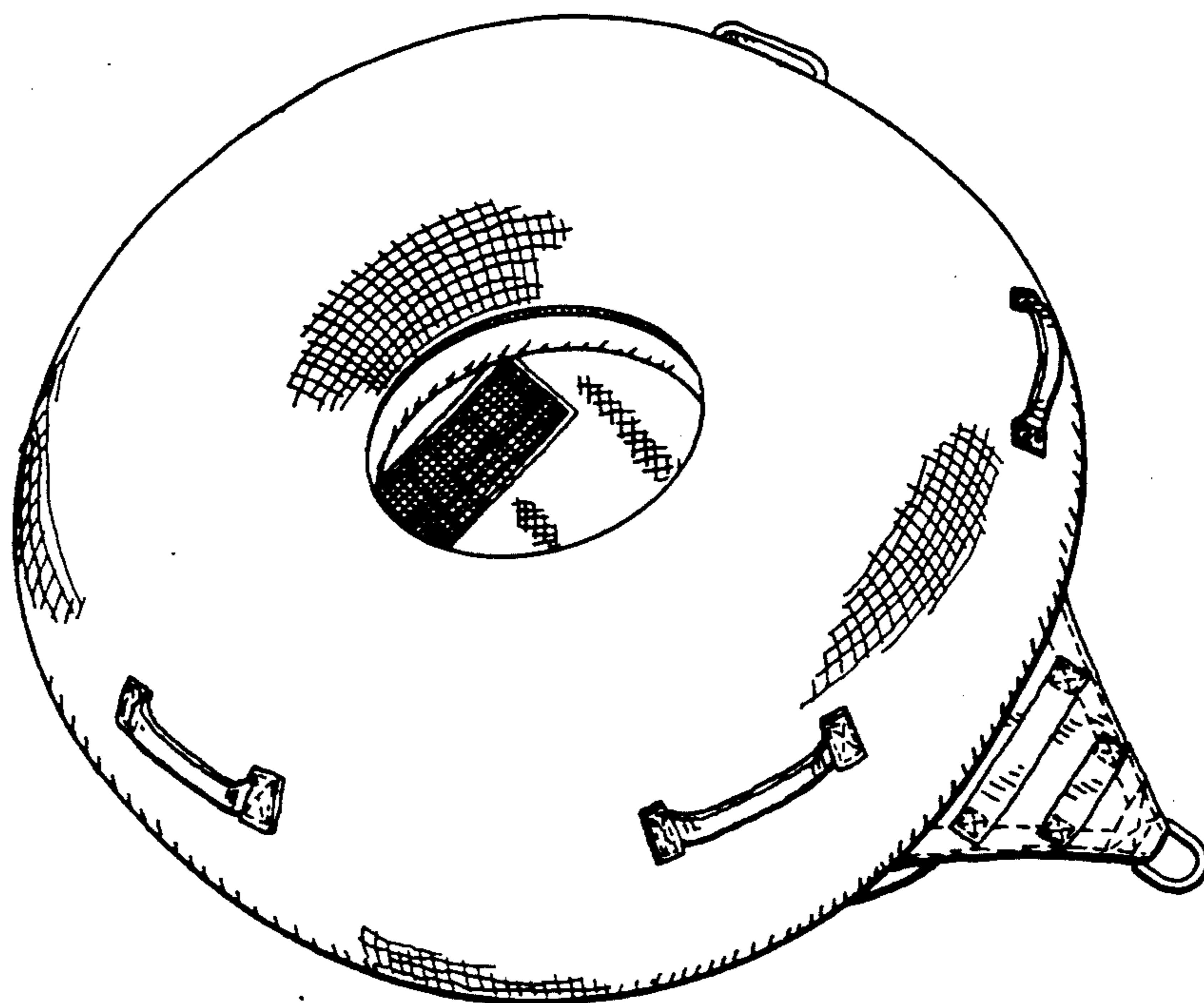


FIG._1

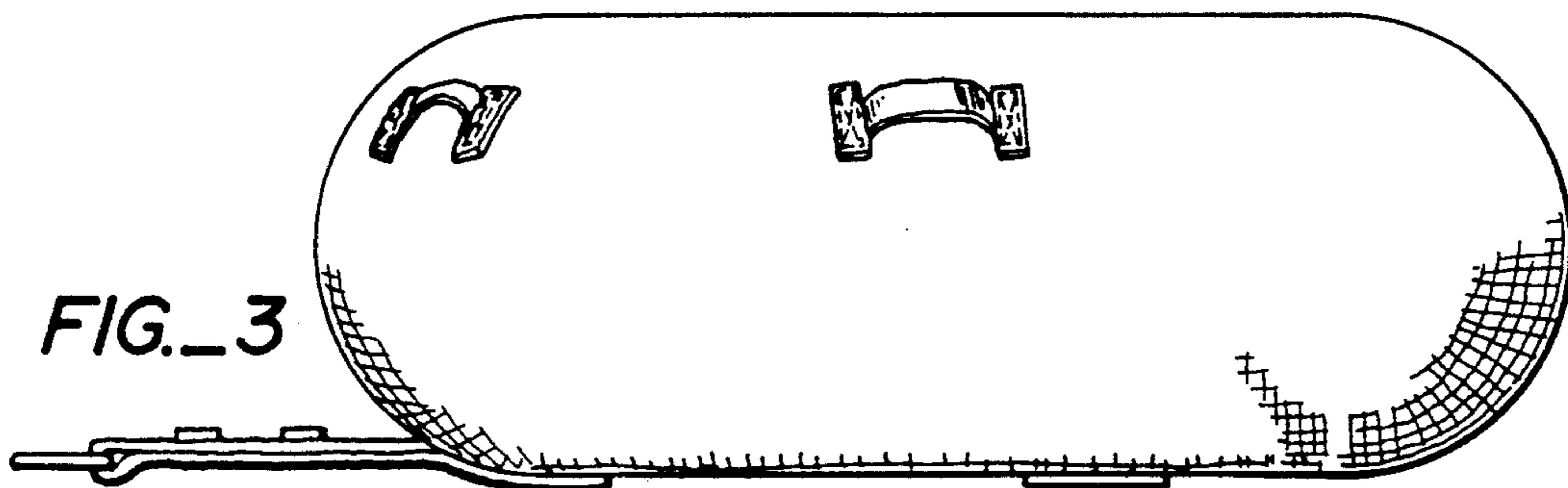


FIG._3

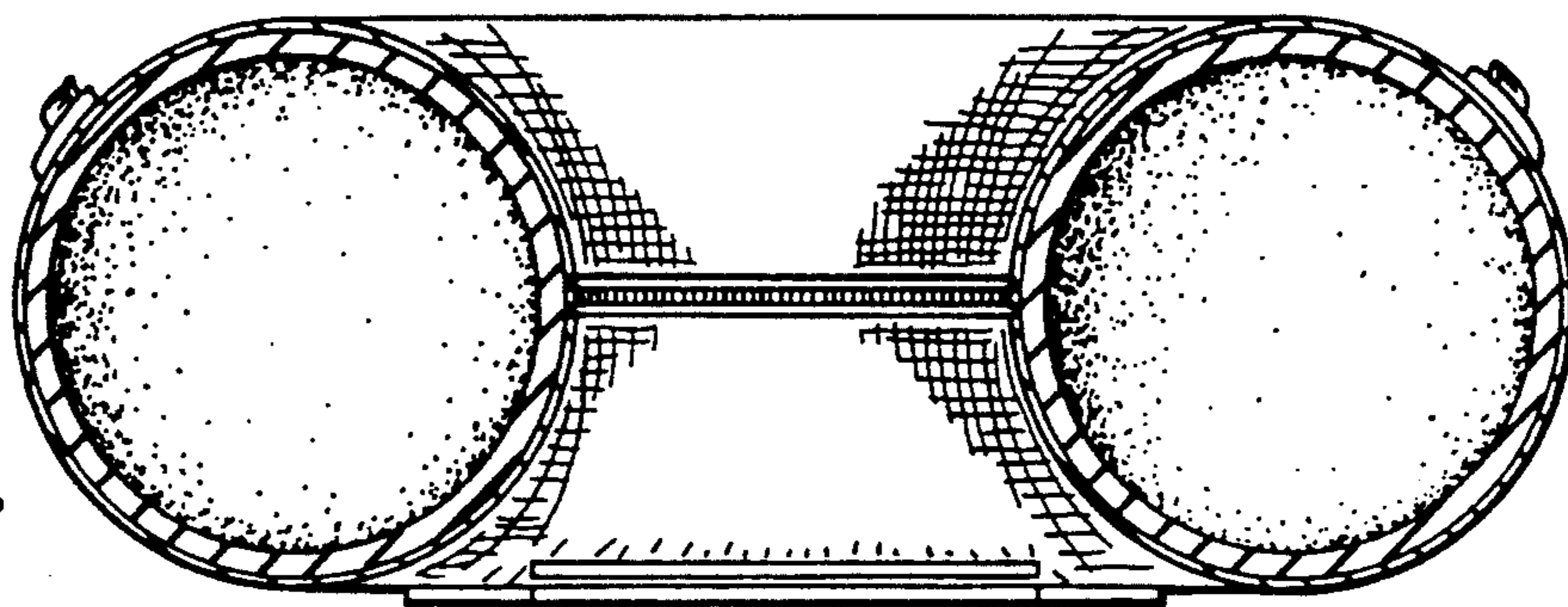


FIG._7

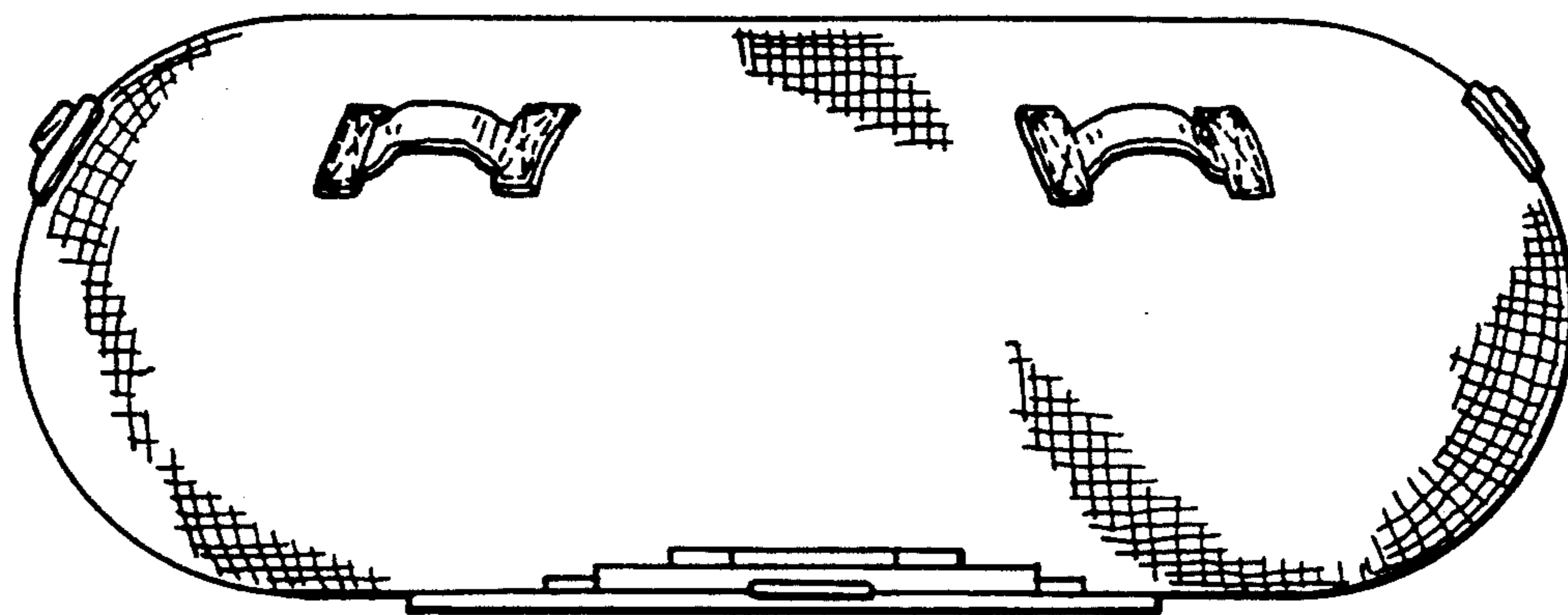


FIG. 2

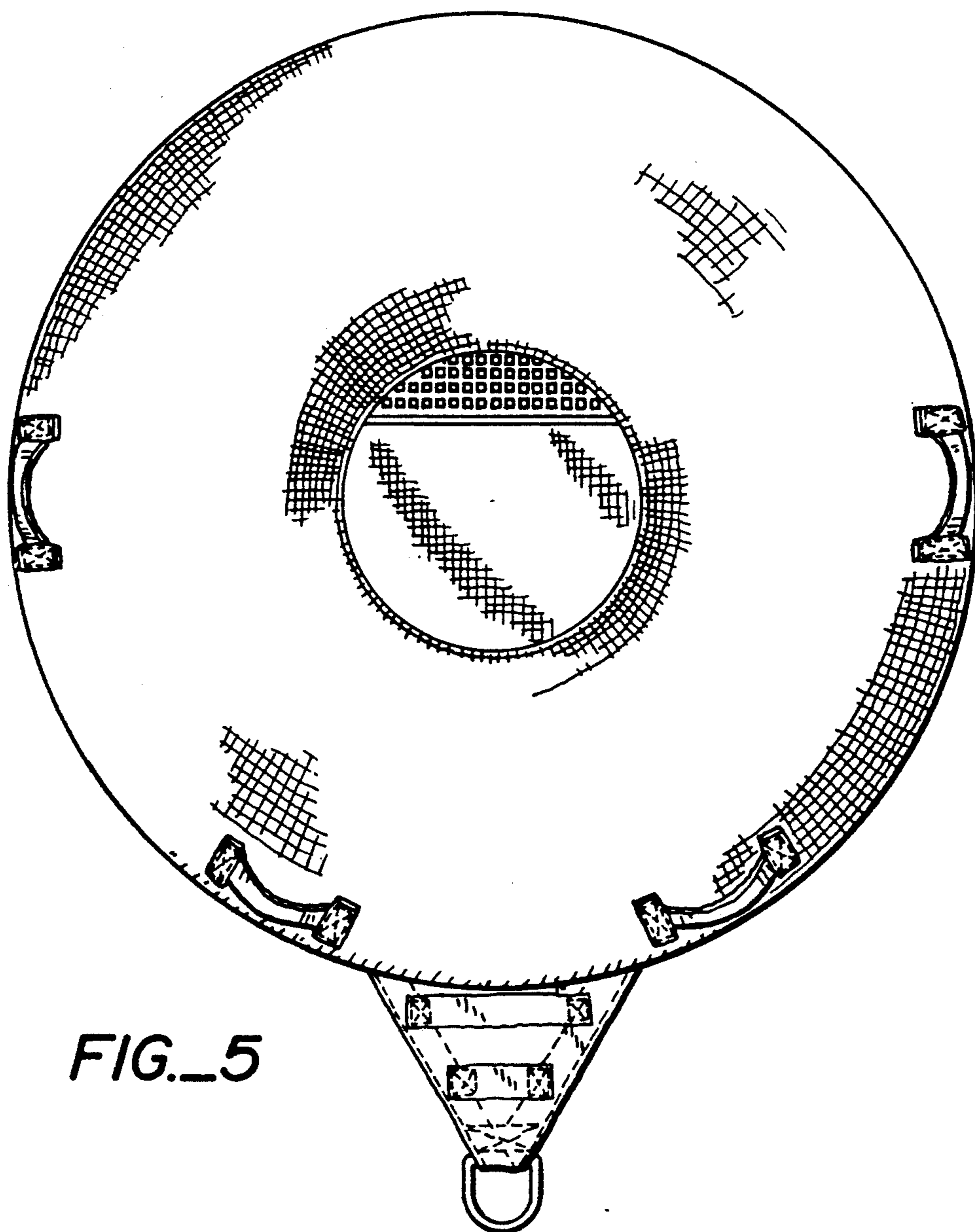


FIG. 5

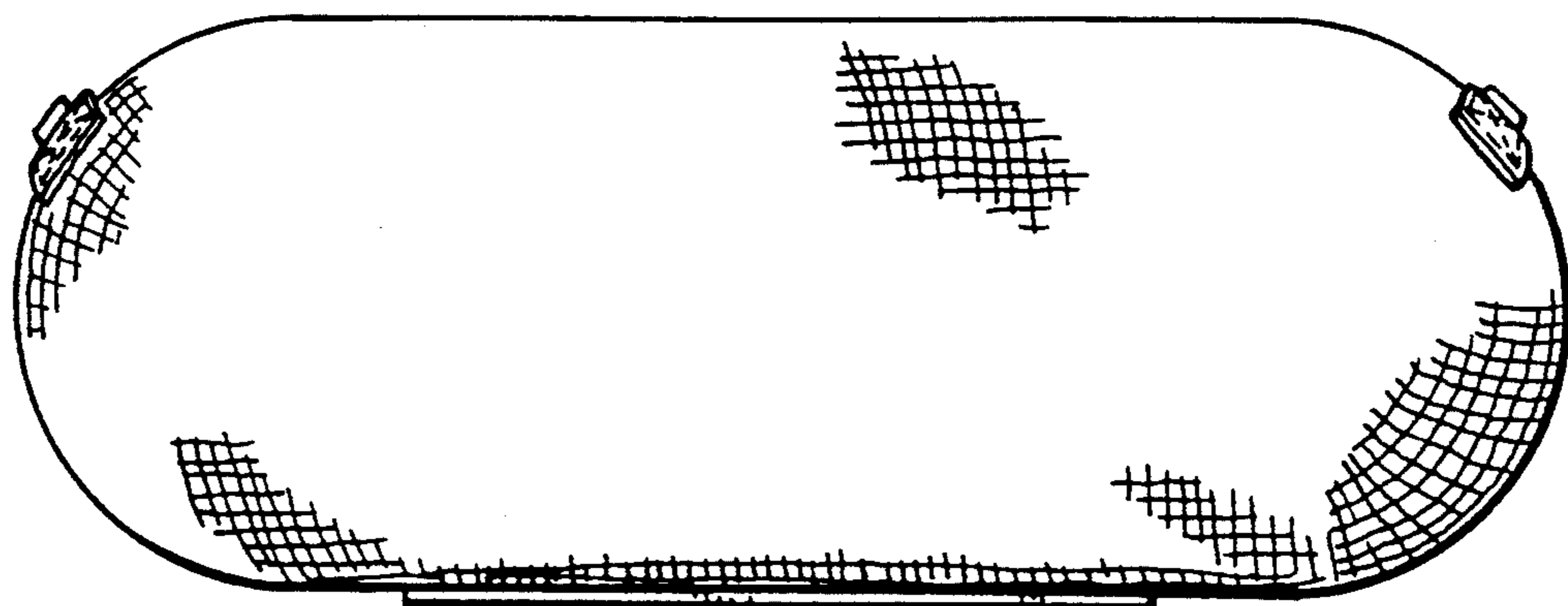


FIG._4

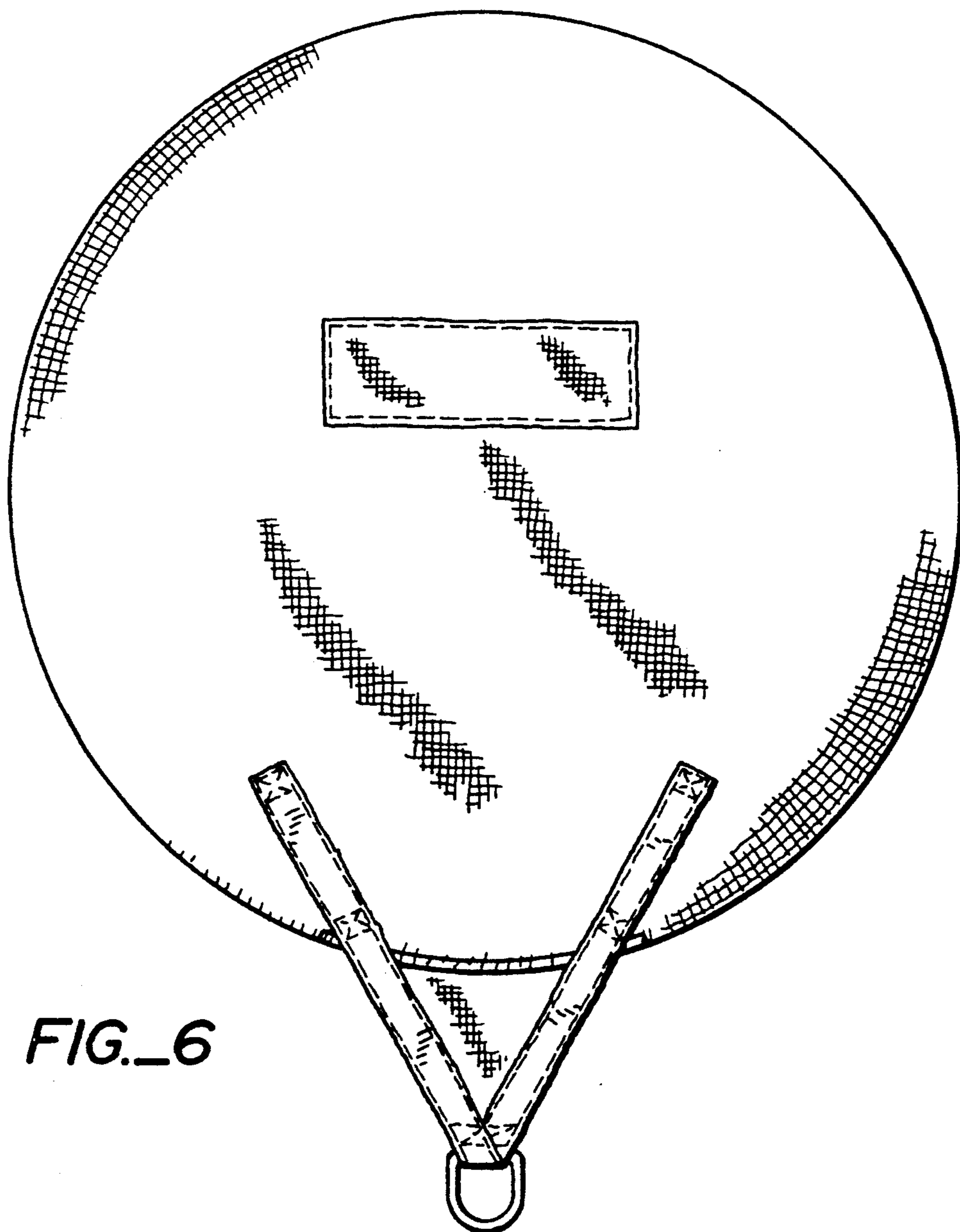


FIG._6