



US00D340491S

United States Patent [19]

[11] Patent Number: **Des. 340,491**

Nass

[45] Date of Patent: **** Oct. 19, 1993**

[54] **AUTOMATIC BALL THROWING MACHINE**

D. 294,411 2/1988 Merriman .

[76] Inventor: **Howard Nass**, 233 8th St., Fairview, N.J. 07022

Primary Examiner—Terry A. Pfeffer
Attorney, Agent, or Firm—Terry M. Gernstein

[**] Term: **14 Years**

[57] **CLAIM**

[21] Appl. No.: **838,010**

The ornamental design for a automatic ball throwing machine, as shown and described.

[22] Filed: **Feb. 21, 1992**

DESCRIPTION

[52] U.S. Cl. **D21/210; D30/160**

[58] Field of Search **D21/210, 2; D30/133, D30/158, 160; 119/29; 273/26 D; 124/4, 6, 7, 41.1**

FIG. 1 is a perspective view of the automatic ball throwing machine embodying the design of the present invention;

FIG. 2 is a front elevational view thereof;

FIG. 3 is a rear elevational view thereof;

FIG. 4 is a side elevational view thereof, the side opposite being a mirror image of the side shown in **FIG. 4**;

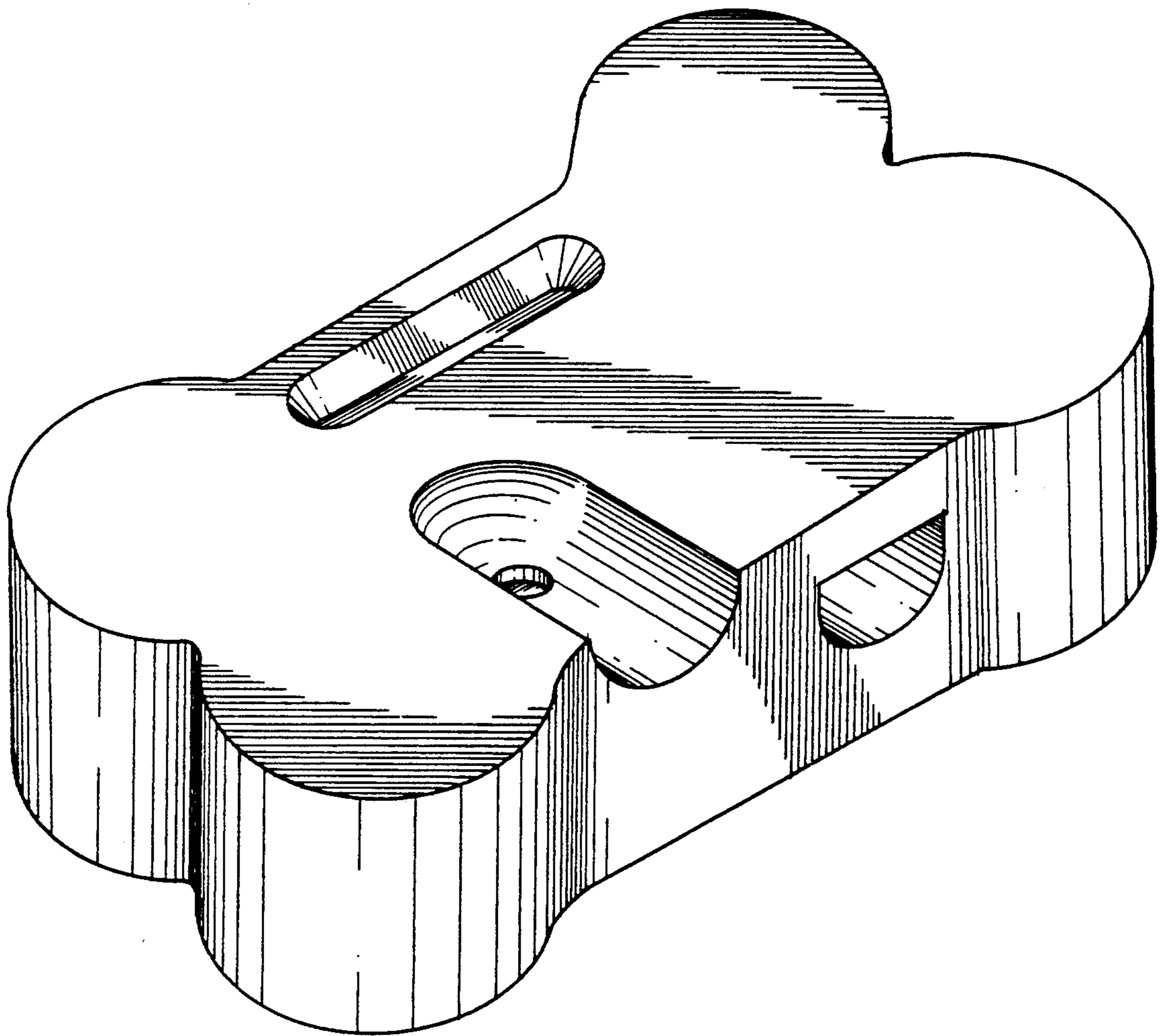
FIG. 5 is a top plan view thereof; and,

FIG. 6 is a bottom view thereof.

[56] **References Cited**

U.S. PATENT DOCUMENTS

- D. 250,361 11/1978 James .
- D. 251,029 2/1979 Haller .



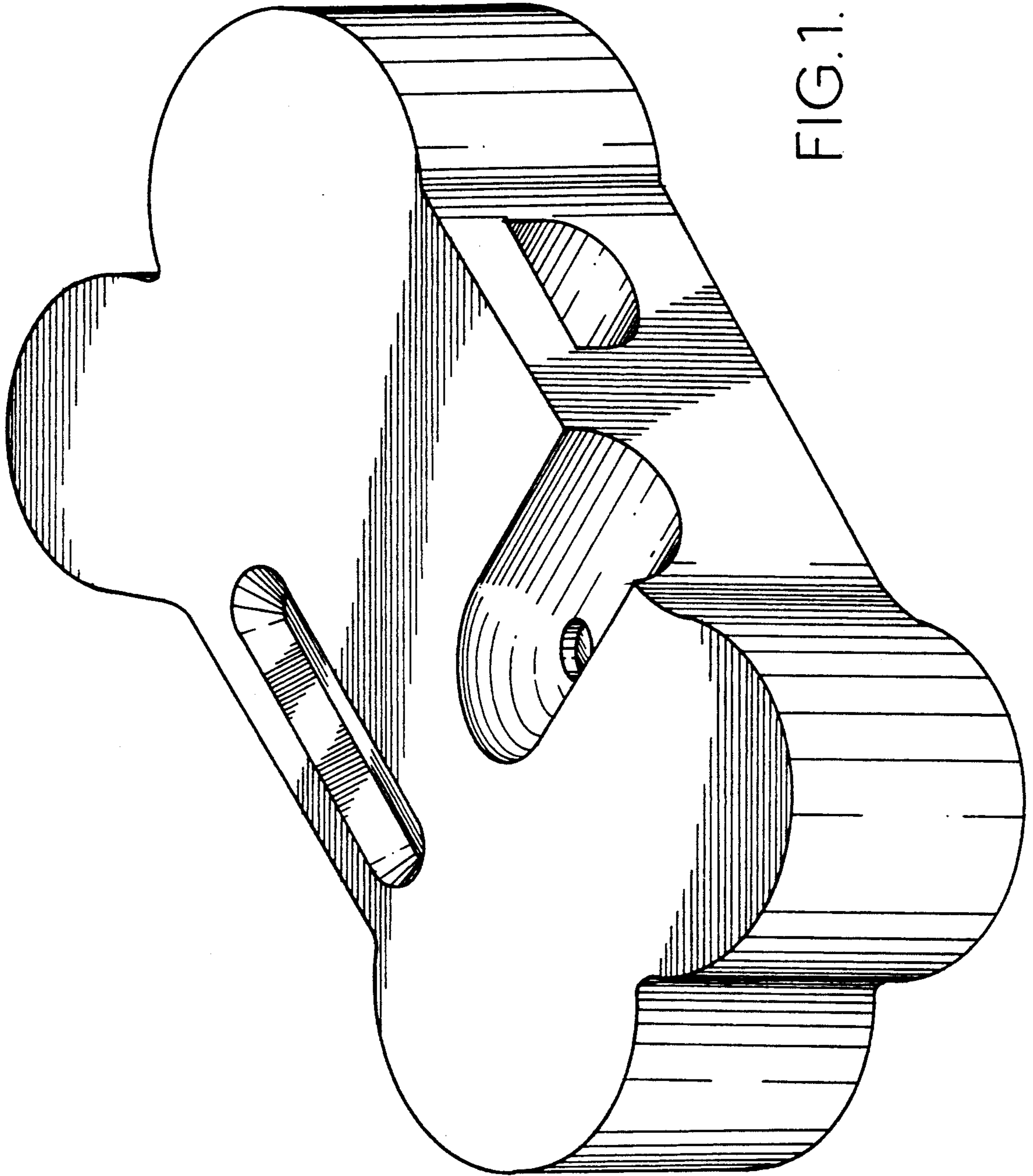


FIG. 1.

FIG. 5.

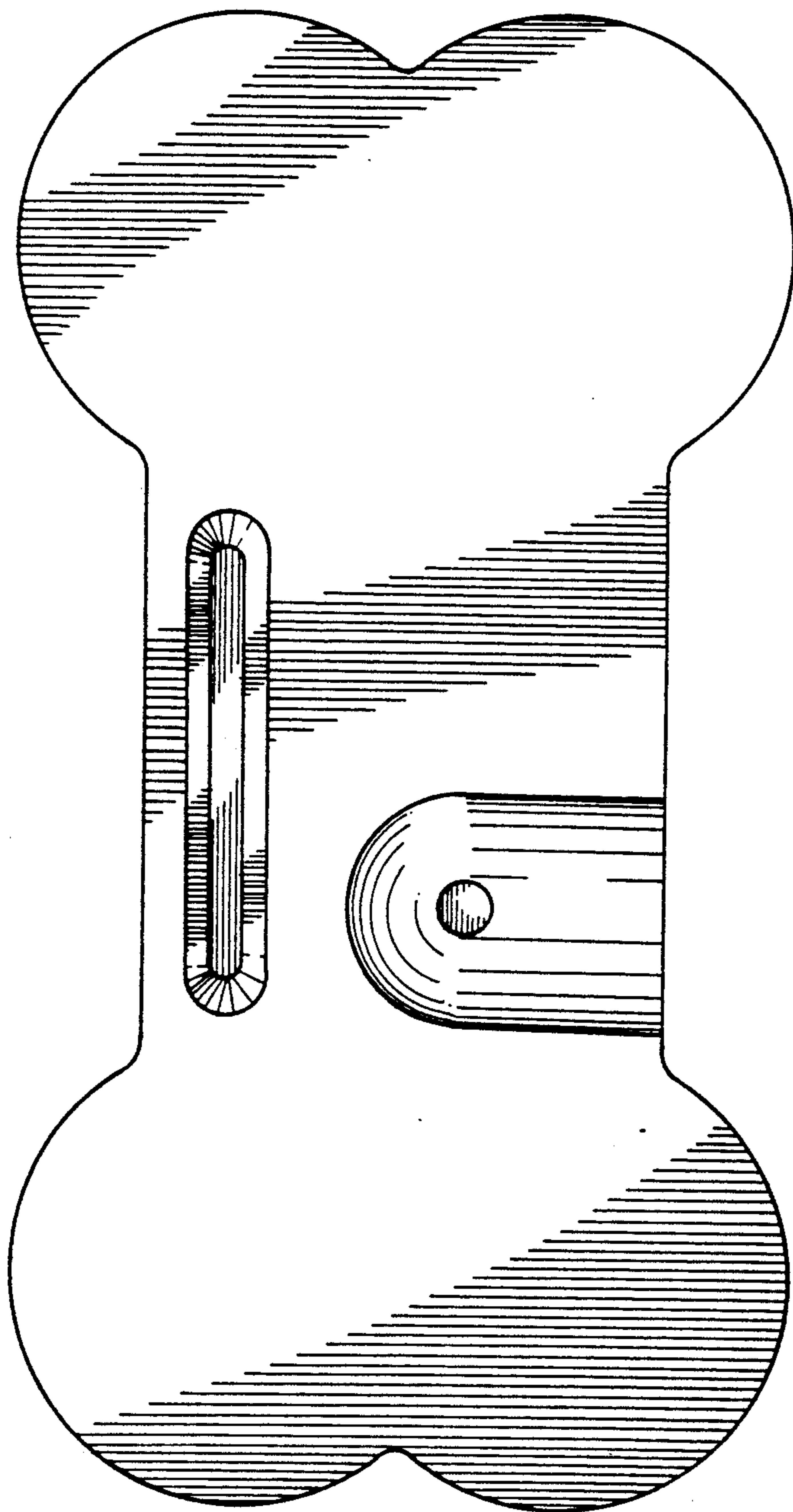


FIG. 2.

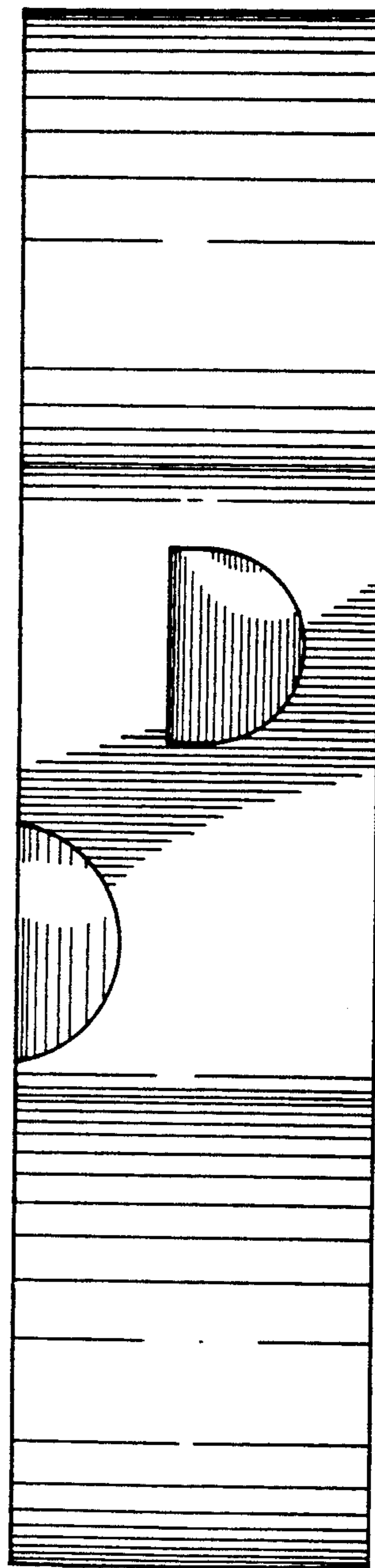


FIG. 4.

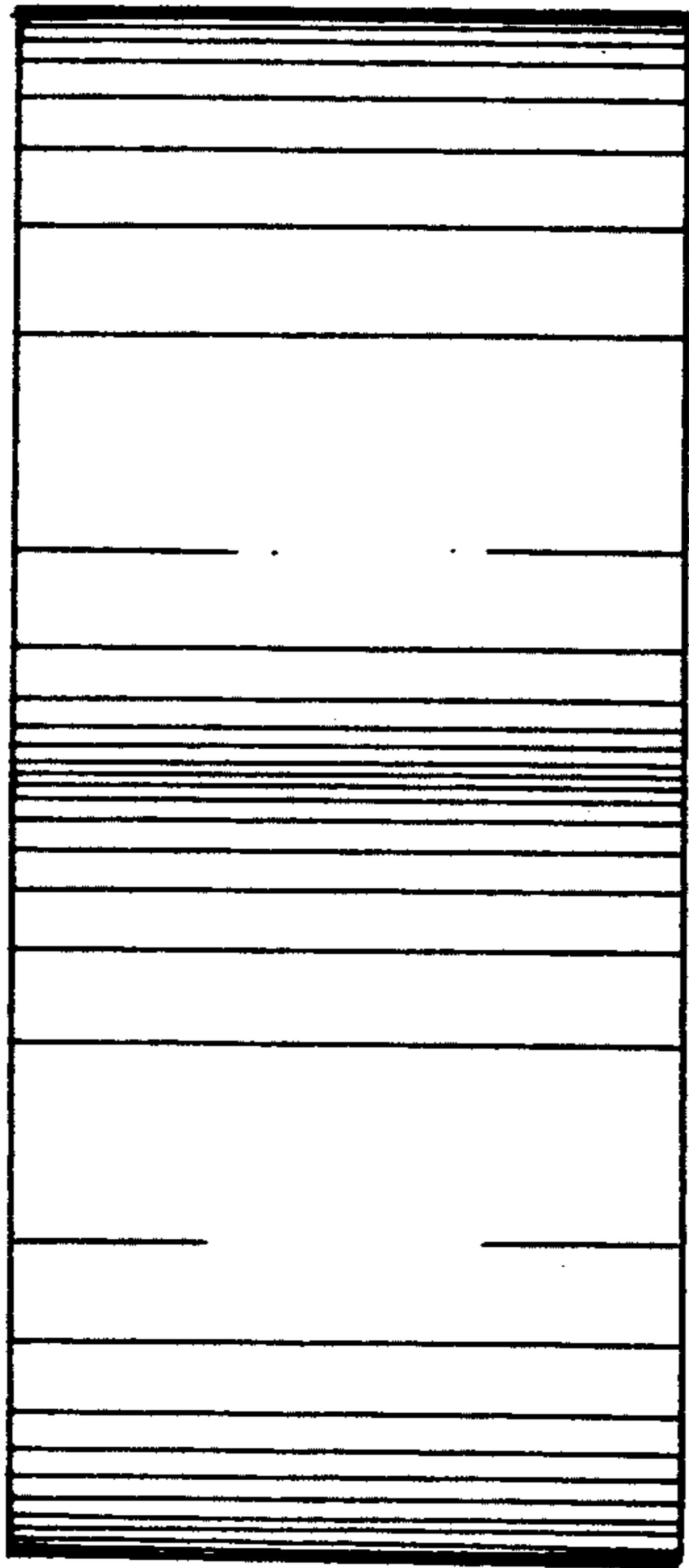
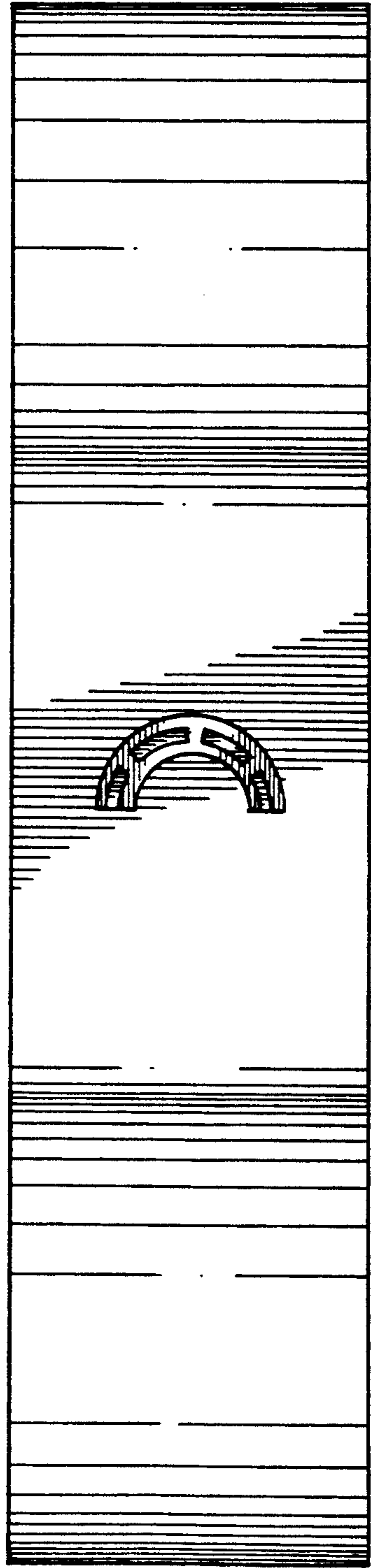


FIG. 3.



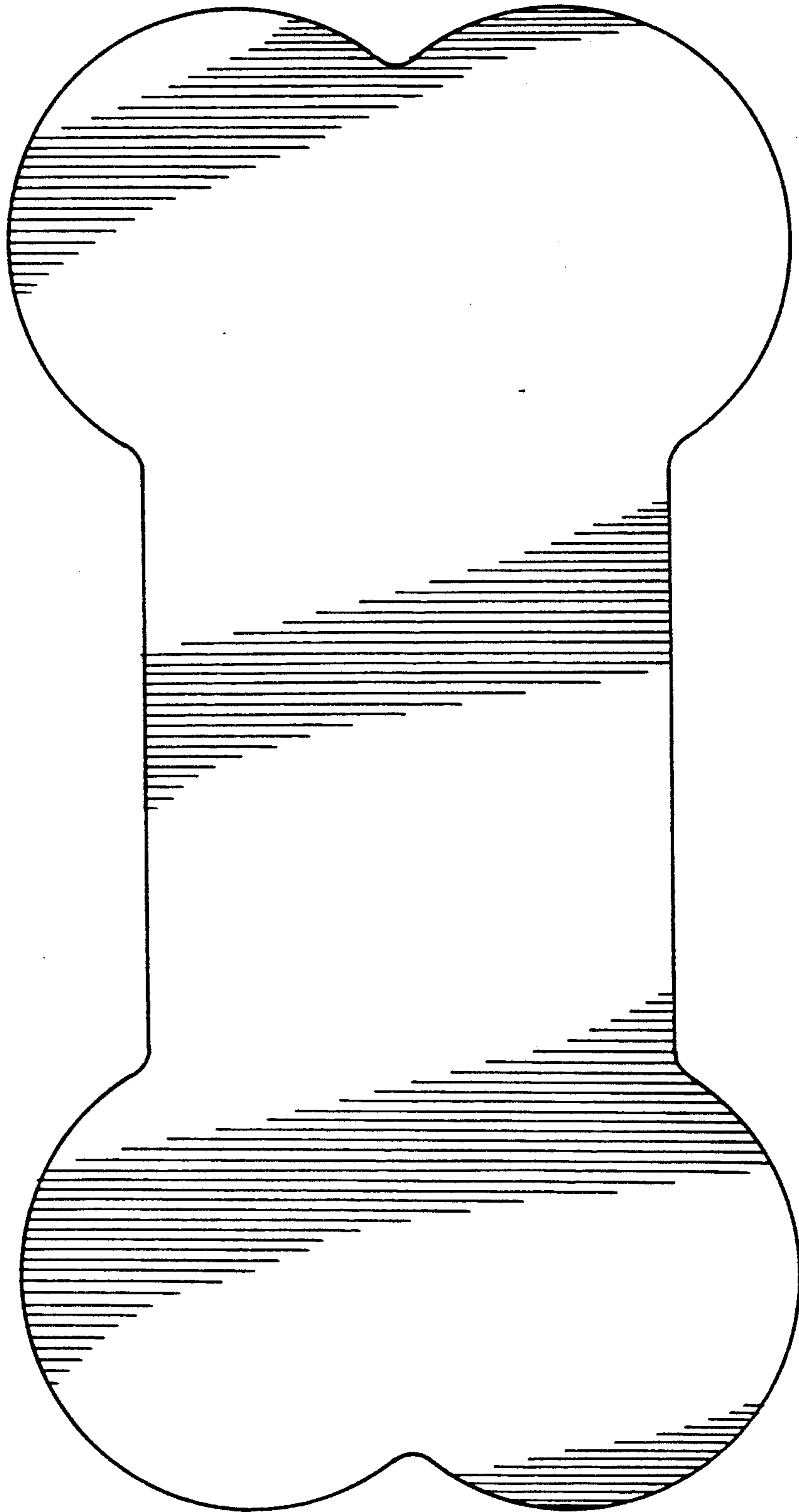


FIG. 6.