



US00D340474S

United States Patent [19]

[11] Patent Number: **Des. 340,474**

Visage

[45] Date of Patent: **** Oct. 19, 1993**

[54] **WRITING INSTRUMENT**

[75] Inventor: **Agnes Visage**, Paris, France
[73] Assignee: **Christian Dior, S.A.**, Paris, France
[**] Term: **14 Years**
[21] Appl. No.: **831,521**
[22] Filed: **Feb. 5, 1992**

D. 323,852 2/1992 Gomez D19/51 X
D. 328,919 8/1992 Bulgari D19/51

Primary Examiner—Nelson C. Holtje
Assistant Examiner—Martie Thompson
Attorney, Agent, or Firm—Philip H. Gottfried

[30] **Foreign Application Priority Data**

Aug. 23, 1991 [FR] France 915,203

[52] U.S. Cl. **D19/49; D19/51; D19/56; D19/57**

[58] Field of Search D19/35, 36, 41, 51, D19/54-58, 81-85; 401/99, 209, 101-104, 243, 244, 245, 246, 247

[57] **CLAIM**

The ornamental design for a writing instrument, as shown.

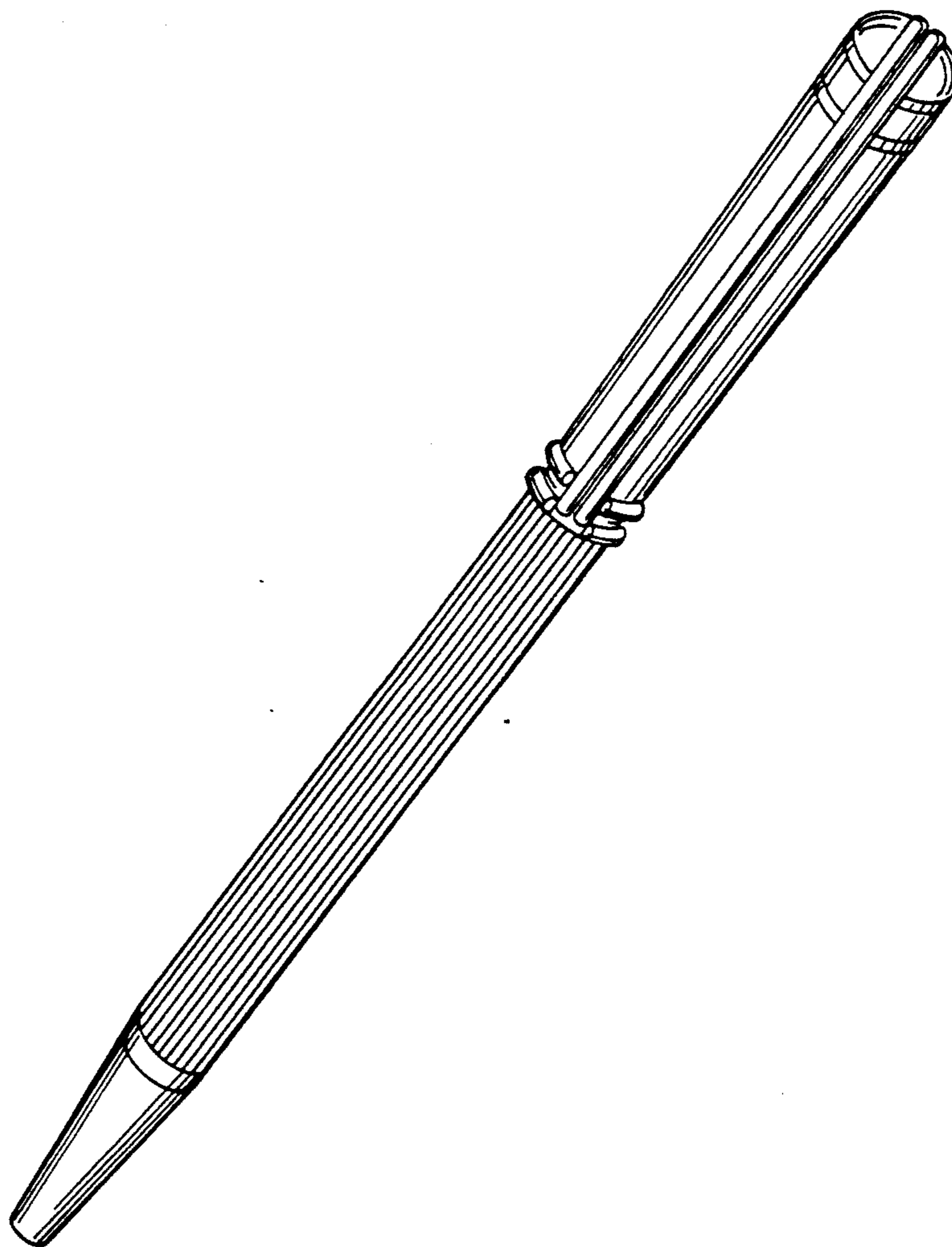
DESCRIPTION

FIG. 1 is a left-side elevational view of a writing instrument showing my new design; FIG. 2 is a rear elevational view thereof; FIG. 3 is a front elevational view thereof; FIG. 4 is a right-side elevational view thereof; FIG. 5 is a bottom plan view thereof, on an enlarged scale; FIG. 6 is a top plan view thereof, on an enlarged scale; FIG. 7 is a top, front perspective view; FIG. 8 is a top, rear perspective view; and, FIG. 9 is a sectional view, on an enlarged scale, taken along the line 9-9 of FIG. 1 and looking in the direction of the arrows.

[56] **References Cited**

U.S. PATENT DOCUMENTS

D. 234,471 3/1975 Carre D19/51
D. 242,855 12/1976 Grinberg D19/49
D. 252,998 9/1979 Turner D19/49
D. 259,574 6/1981 Anderson D19/51 X



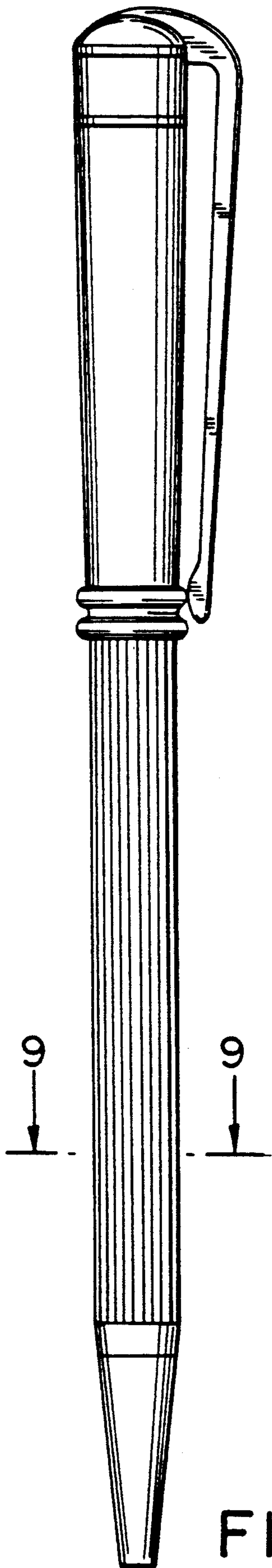


FIG. 1

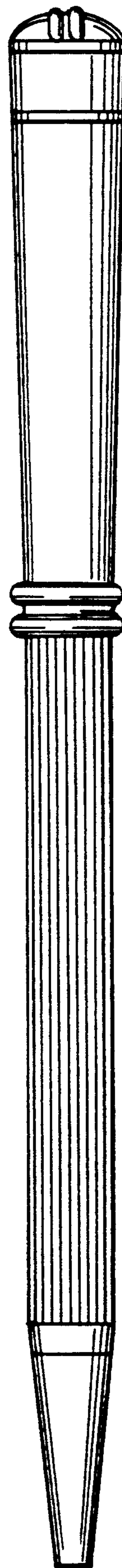


FIG. 2

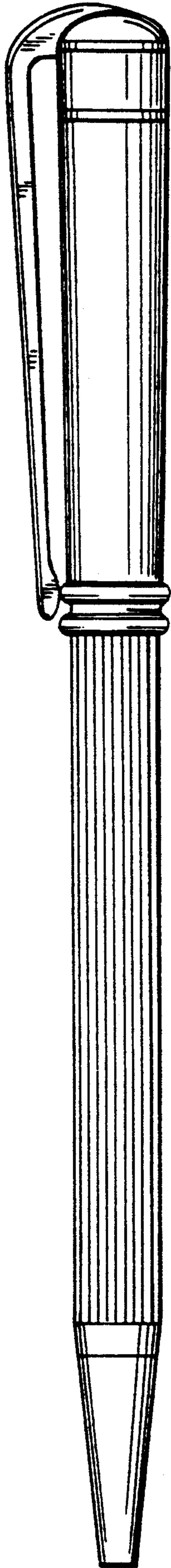


FIG. 4

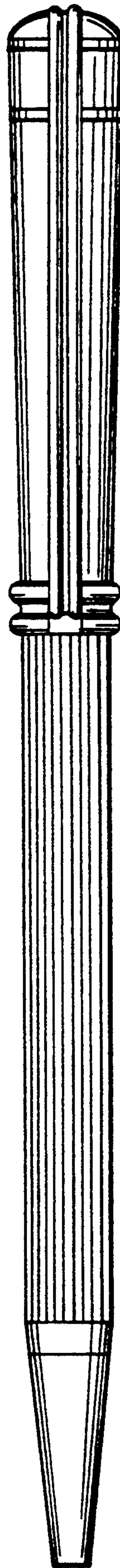


FIG. 3

FIG. 6

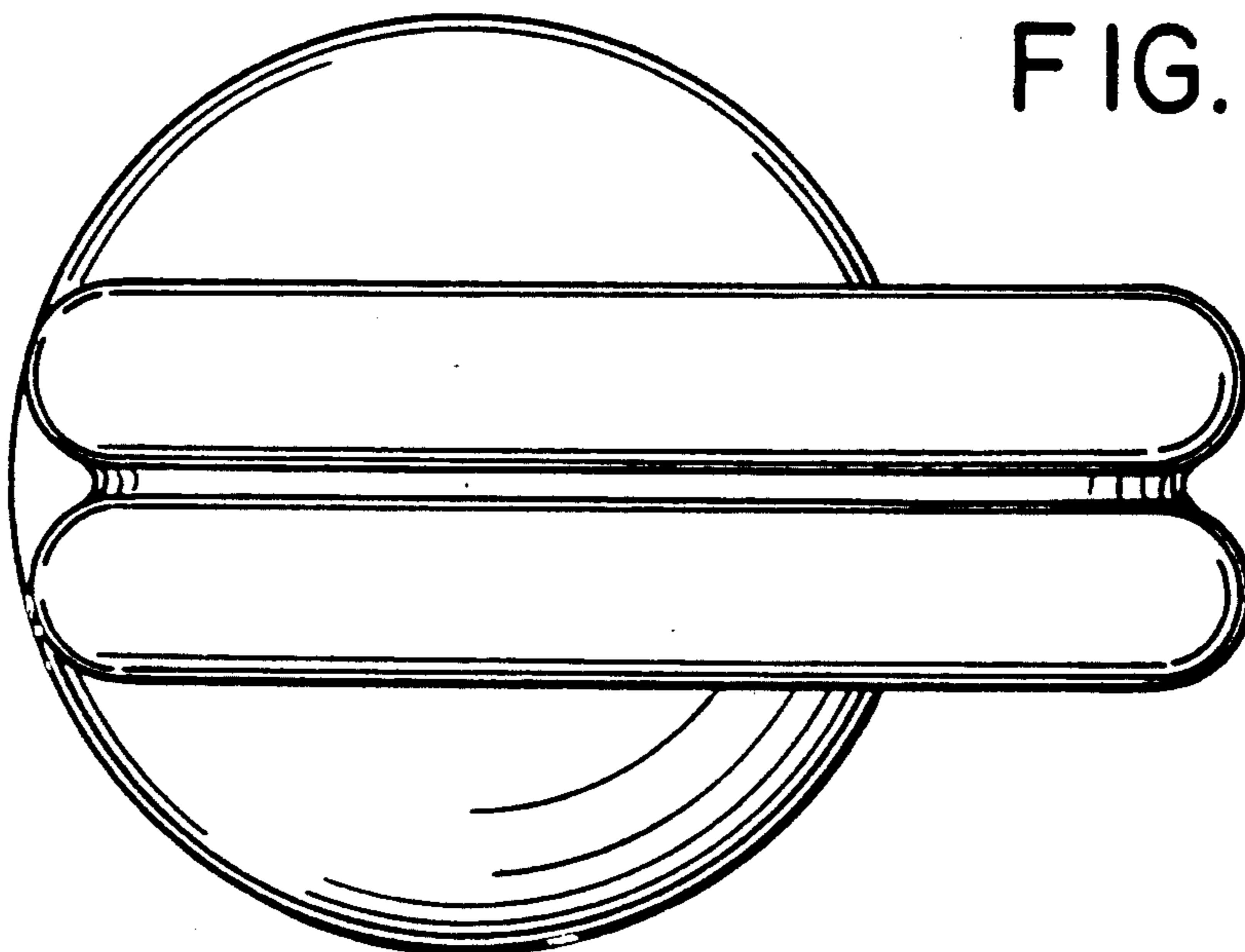


FIG. 5

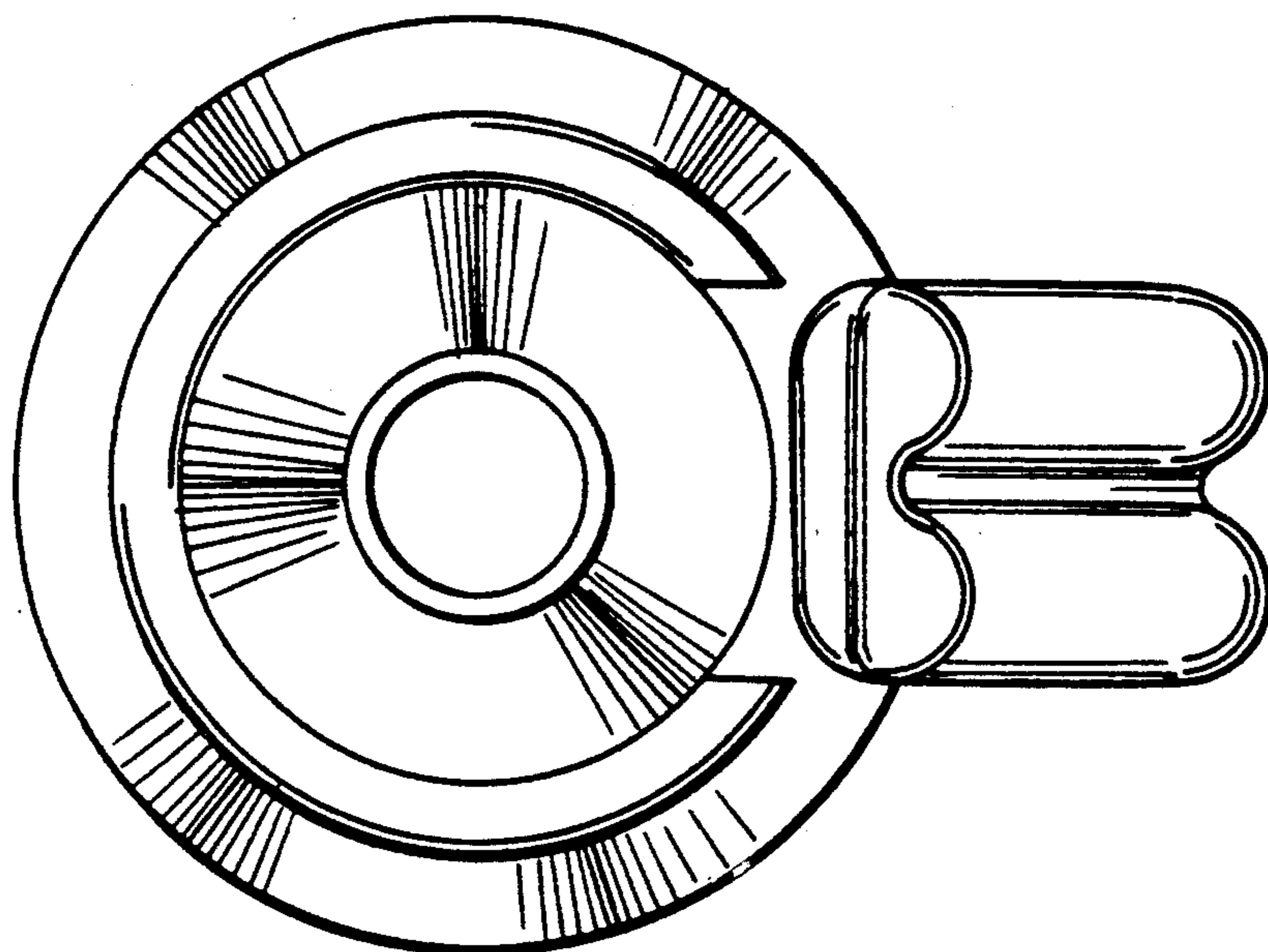


FIG. 9

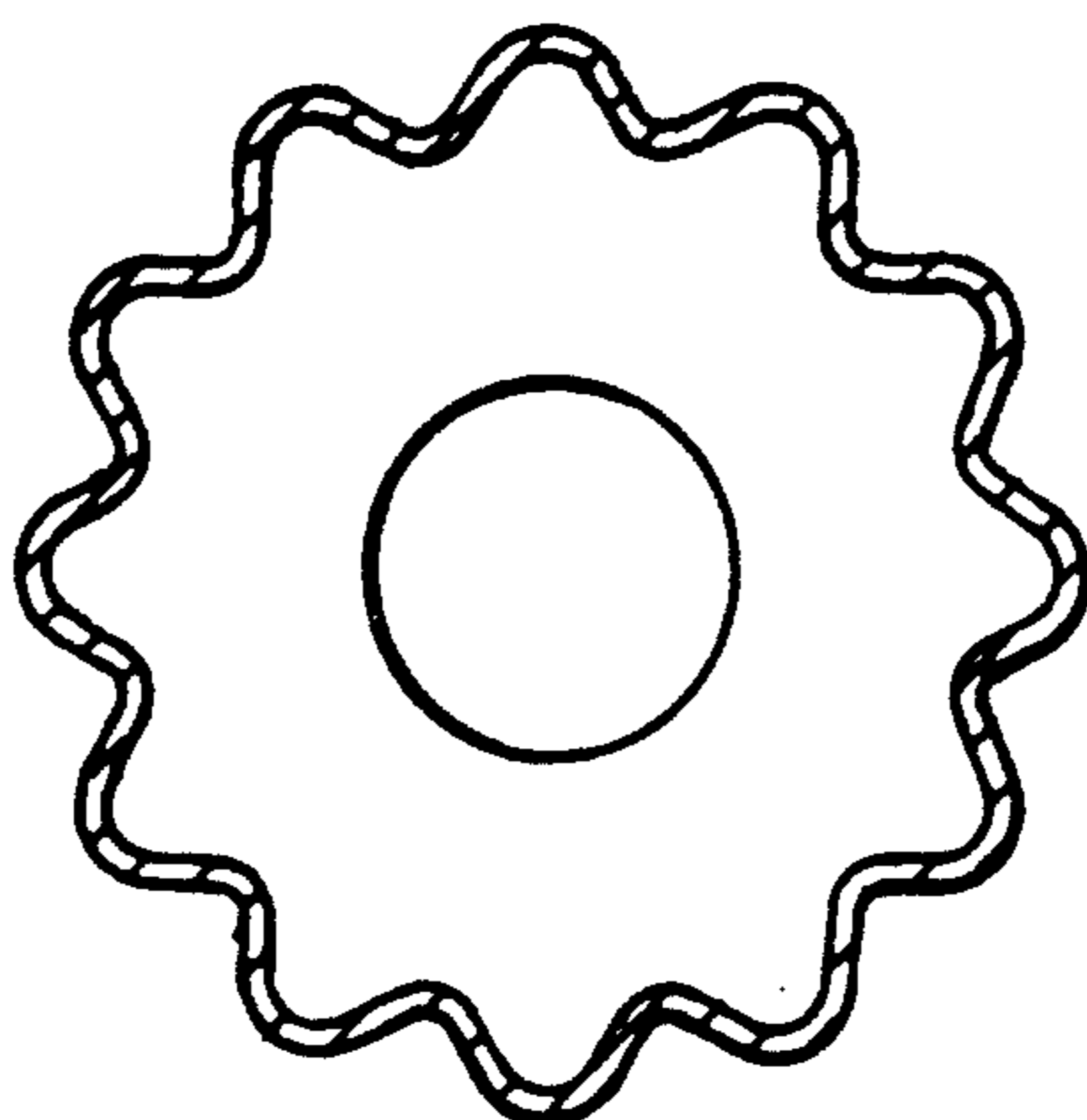


FIG. 7

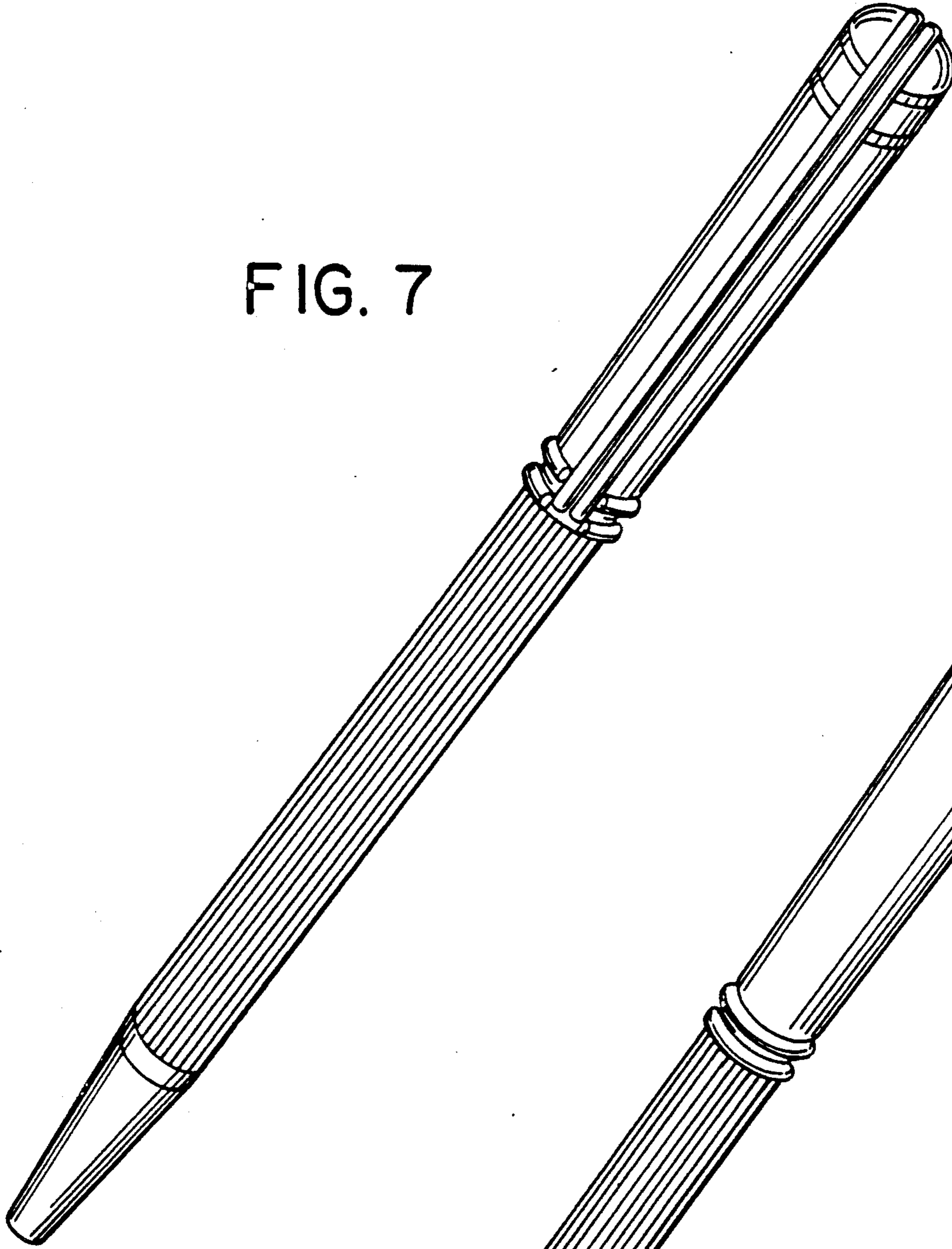


FIG. 8

