



US00D340467S

United States Patent [19]

[11] Patent Number: **Des. 340,467**

Pollak et al.

[45] Date of Patent: **** Oct. 19, 1993**

[54] **TWO-PIECE FUNNEL WITH LONG, RIBBED SPOUT**

[75] Inventors: **Louis M. Pollak, Bridgewater, N.J.; Michael W. K. Young, Flushing, N.Y.**

[73] Assignee: **Injectron Corporation, Plainfield, N.J.**

[**] Term: **14 Years**

[21] Appl. No.: **831,314**

[22] Filed: **Feb. 5, 1992**

[52] U.S. Cl. **D15/150; D7/700**

[58] Field of Search **D7/700; D15/150-152, D15/199; D23/200; 141/331, 337, 98**

[56] **References Cited**

U.S. PATENT DOCUMENTS

D. 234,123	1/1975	Ragagli	D7/700 X
D. 241,597	9/1976	Confer et al.	D7/700
4,806,902	2/1989	Gana	141/331 X
4,856,568	8/1989	Murphy et al.	141/337

OTHER PUBLICATIONS

Excerpts from "Rubber Queen" catalogs, date unknown, Items 6387, 6388, 6400 and 6390, funnels.

Excerpts from Allied Plastics, Inc. Catalogs (1989 and 1990), funnels.

Excerpts (p. 3) from York Plastics Catalog, date unknown all items, funnels.

Primary Examiner—Terry A. Pfeffer
Attorney, Agent, or Firm—Philip H. Gottfried

[57] **CLAIM**

The ornamental design for a two-piece funnel with long, ribbed spout, as shown and described.

DESCRIPTION

FIG. 1 is a front elevational view of a two-piece funnel with long, ribbed spout showing our new design, the rear elevational view being the same but reversed;

FIG. 2 is a top plan view thereof;

FIG. 3 is a left-side elevational view thereof;

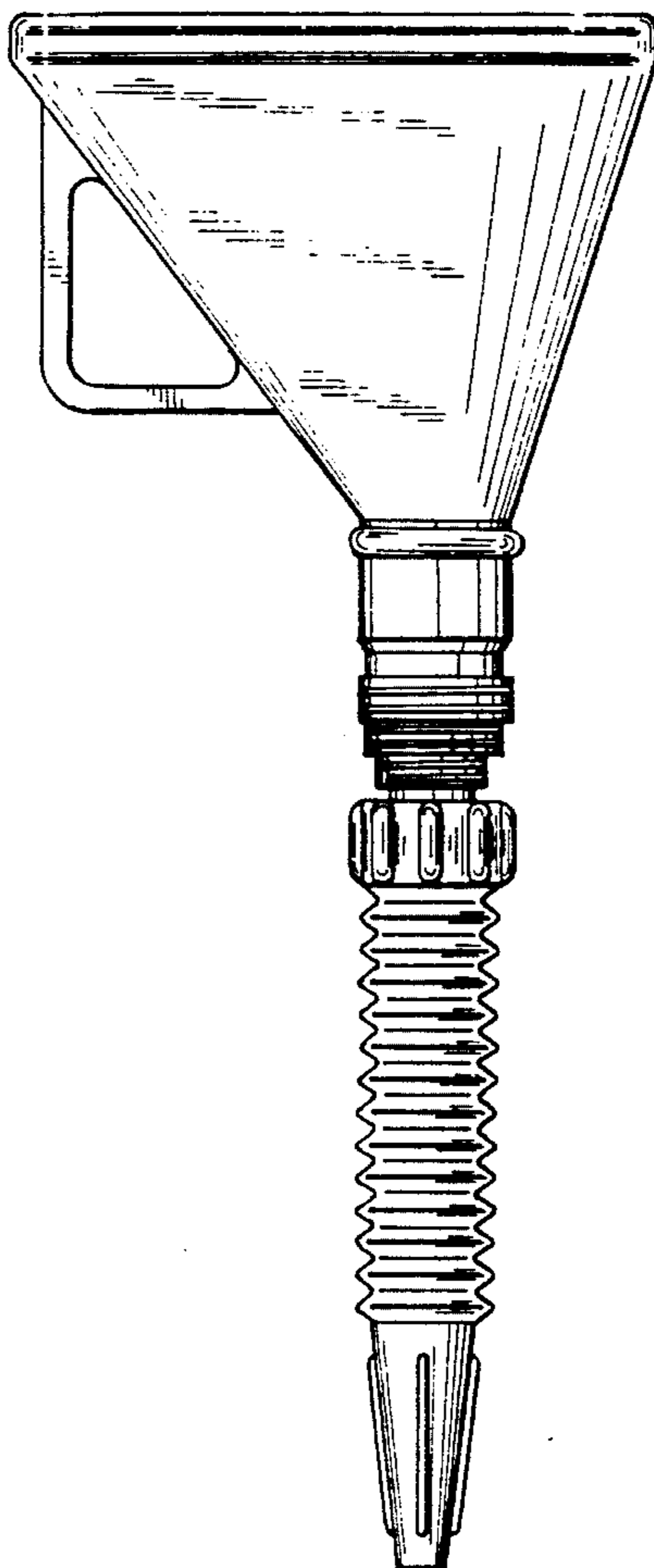
FIG. 4 is a right-side elevational view thereof;

FIG. 5 is a bottom plan view thereof;

FIG. 6 is a front elevational exploded view of the funnel and spout as shown in FIG. 1, the rear elevational exploded view being the same but reversed;

FIG. 7 is a bottom plan view of the funnel as shown in FIG. 6; and,

FIG. 8 is a top plan view of the spout as shown in FIG. 6.



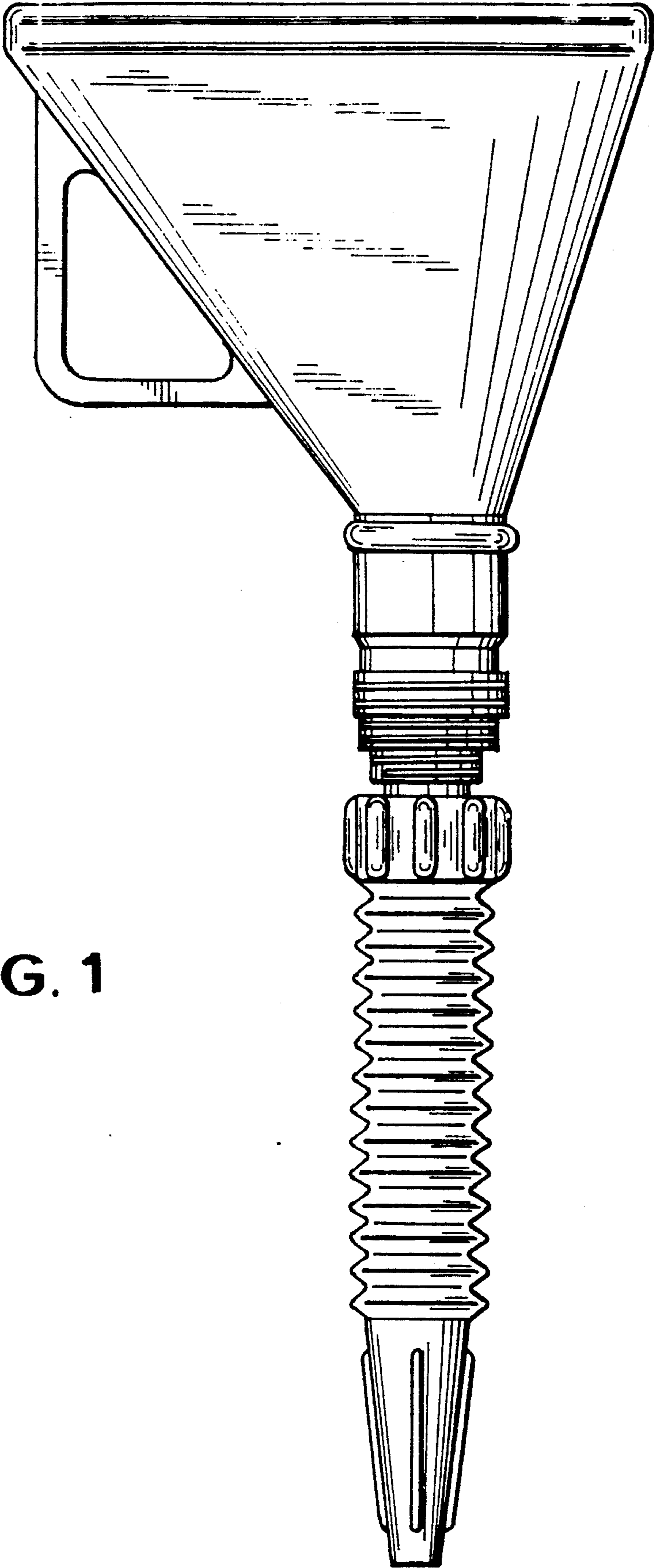


FIG. 1

FIG. 2

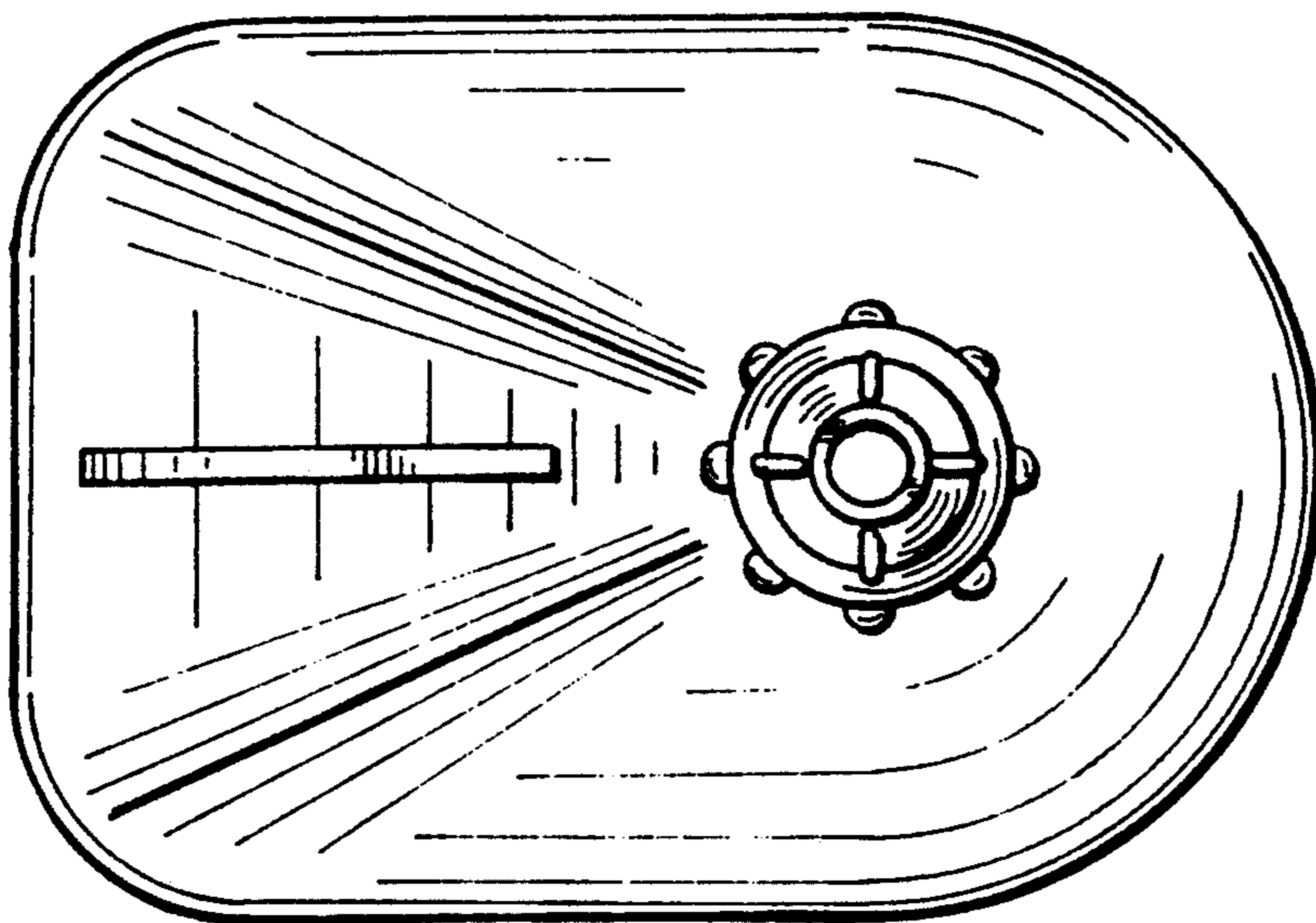
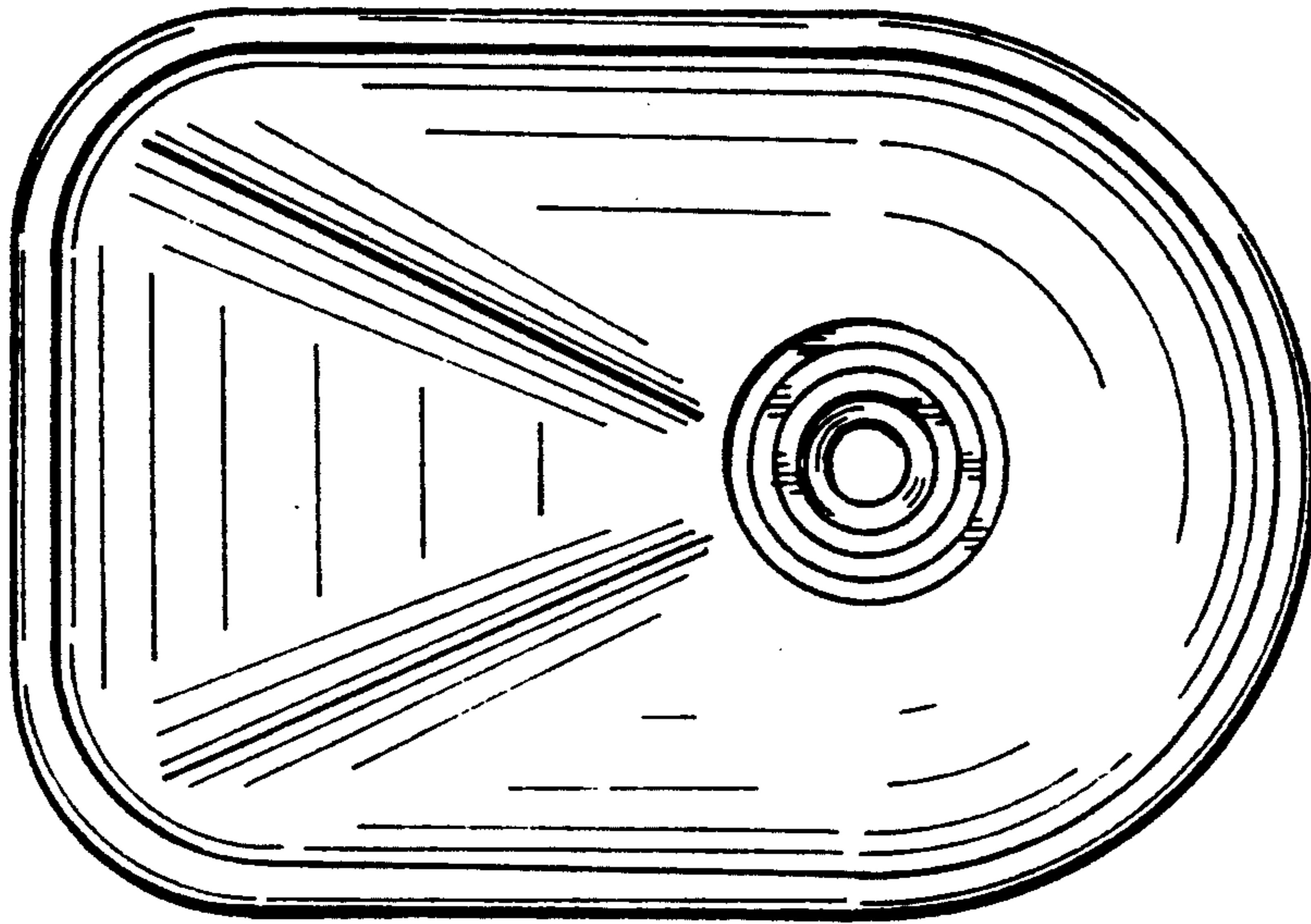


FIG. 5

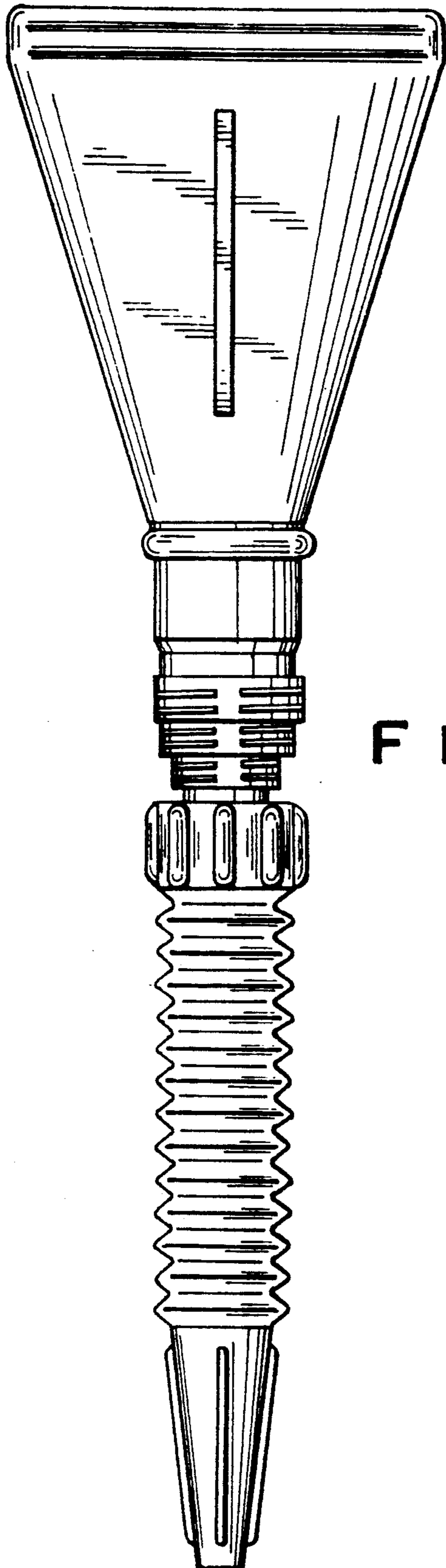


FIG. 3

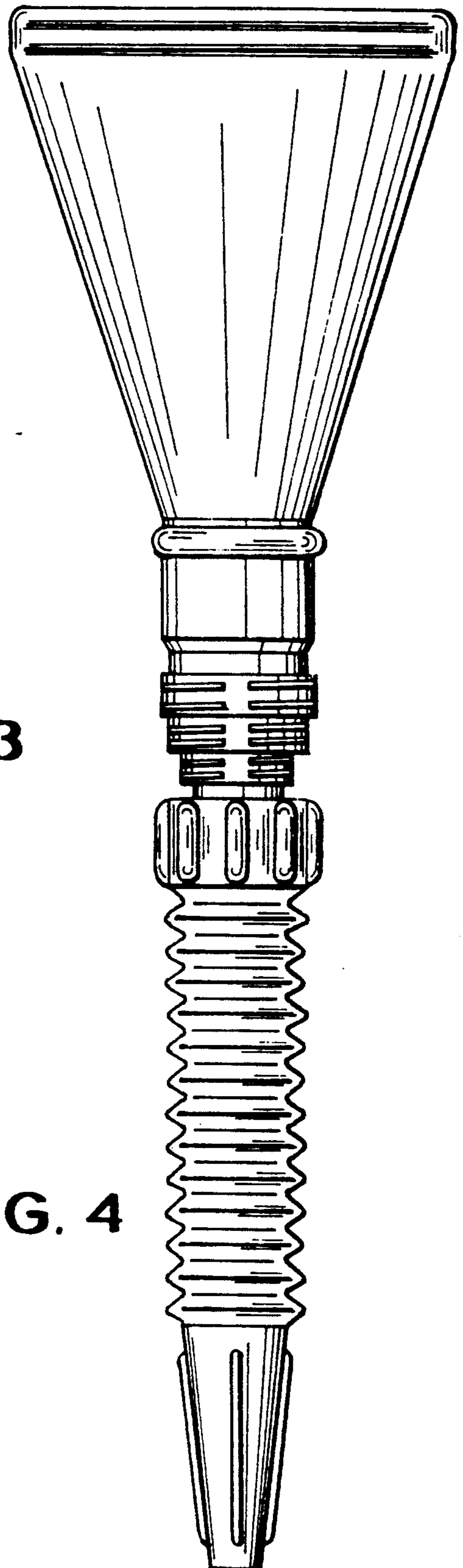


FIG. 4

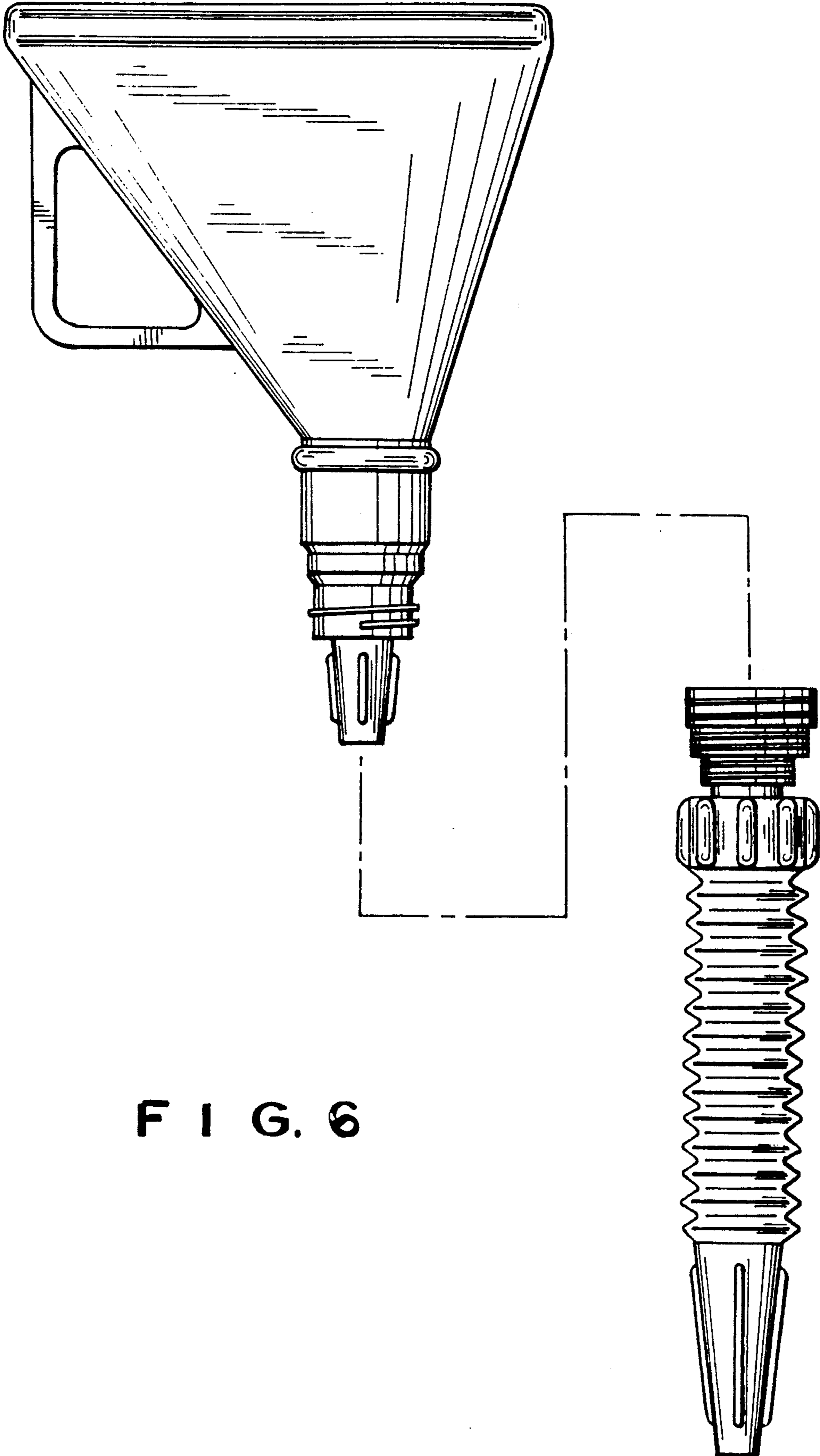
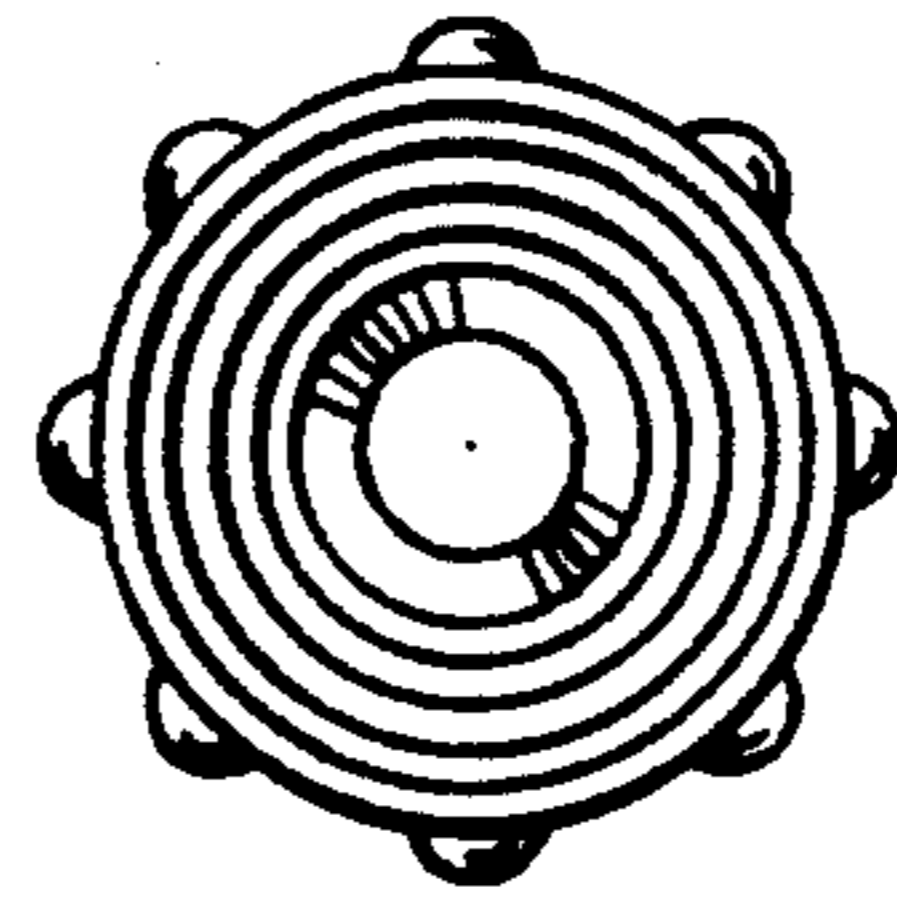
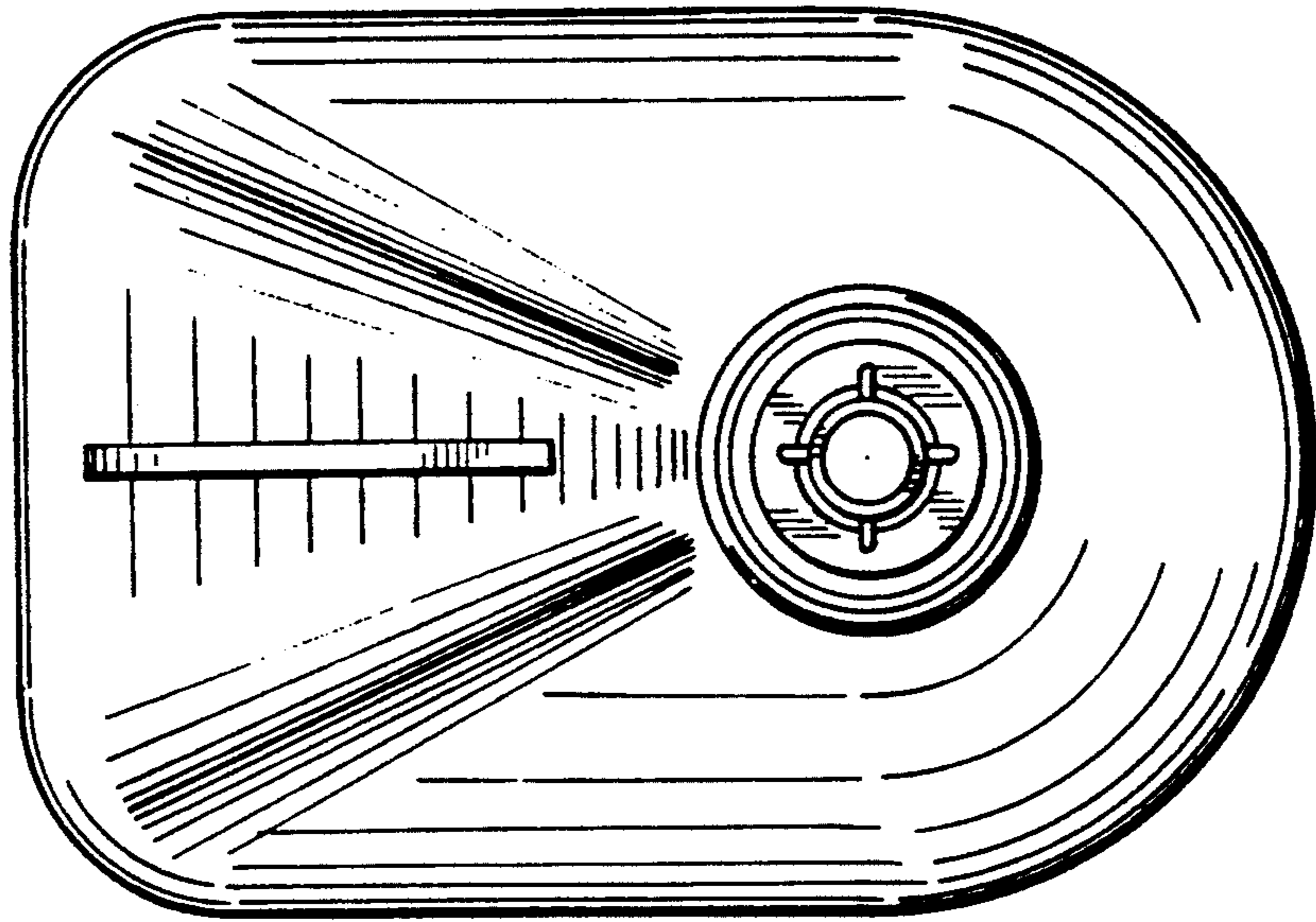


FIG. 6

F I G . 7



F I G . 8