



US00D340465S

# United States Patent [19]

[11] Patent Number: **Des. 340,465**

**Guertin**

[45] Date of Patent: **\*\* Oct. 19, 1993**

[54] **PORTABLE SKILL MASTER JIG**

4,521,006	6/1985	Waters .....	83/468 X
4,712,462	12/1987	Cvek .....	83/468 X
4,717,058	1/1988	Gobert .....	83/468 X
5,136,909	8/1992	Mellick .....	83/762

[76] Inventor: **Mitchel T. Guertin, R.R. 4**  
Wilbraham Rd., Monson, Mass.  
01057

*Primary Examiner*—Alan P. Douglas  
*Assistant Examiner*—Antoine D. Davis  
*Attorney, Agent, or Firm*—Leon Gilden

[\*\*] Term: **14 Years**

[21] Appl. No.: **685,484**

[57] **CLAIM**

[22] Filed: **Apr. 15, 1991**

The ornamental design for a portable skill master jig, as shown and described.

[52] U.S. Cl. .... **D15/140**

[58] Field of Search ..... D10/70, 71; D15/133,  
D15/140; 83/375, 453, 454, 455, 468, 471,  
477.2, 490, 574, DIG. 1; 144/286 R, 286 A,  
287; 269/290, 292

**DESCRIPTION**

FIG. 1 is a front elevational view of the portable skill master jig showing my new design;  
FIG. 2 is a rear elevational view thereof;  
FIG. 3 is a left side elevational view thereof;  
FIG. 4 is a right side elevational view thereof;  
FIG. 5 is a top plan view thereof;  
FIG. 6 is a bottom plan view thereof; and,  
FIG. 7 is a perspective view thereof.

[56] **References Cited**

**U.S. PATENT DOCUMENTS**

D. 245,668	9/1977	Bretthauer .....	D15/140 X
D. 272,711	2/1984	Griset .....	D15/140 X
1,013,010	12/1911	Graham .....	83/762

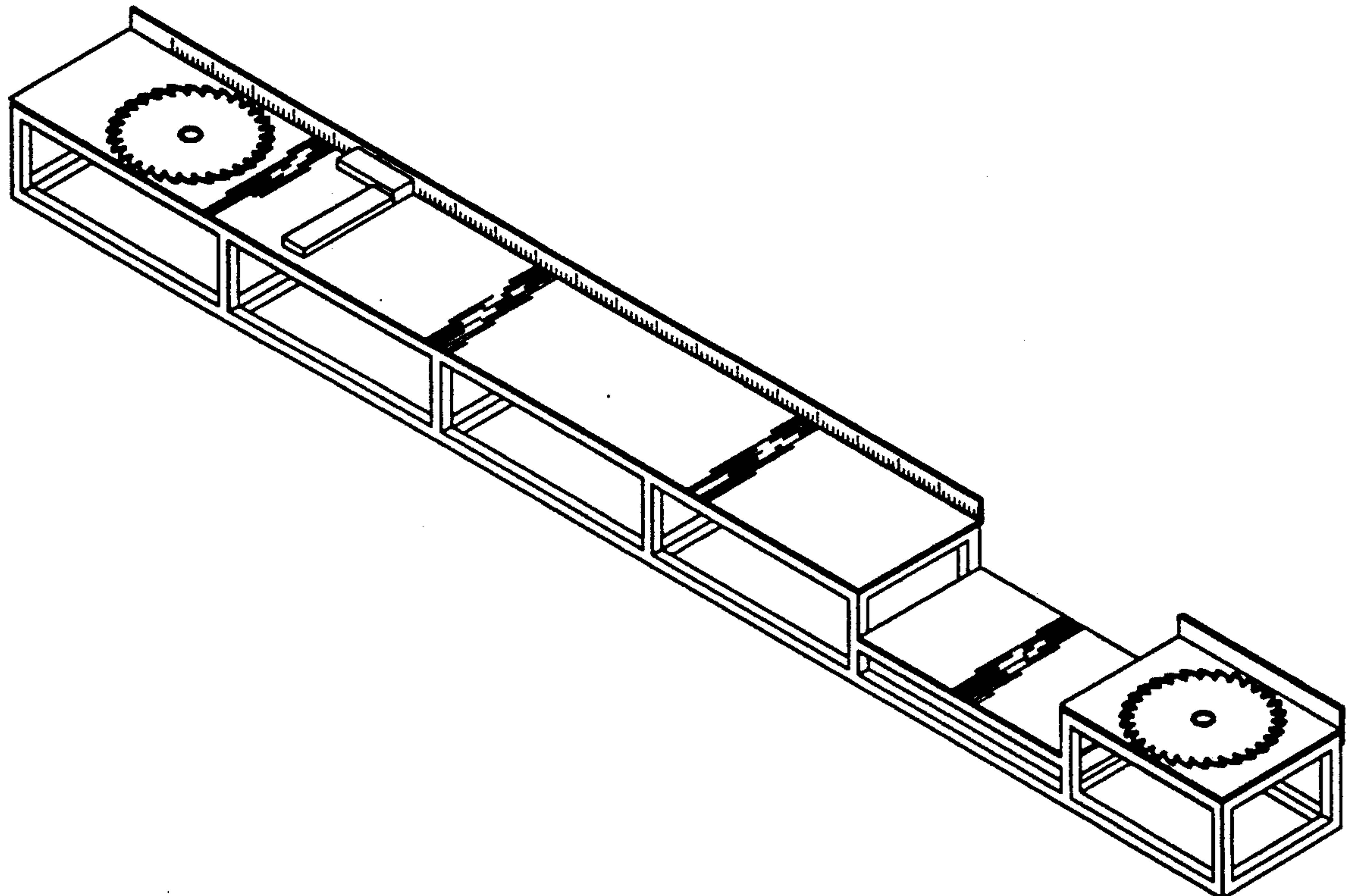


FIG. 1

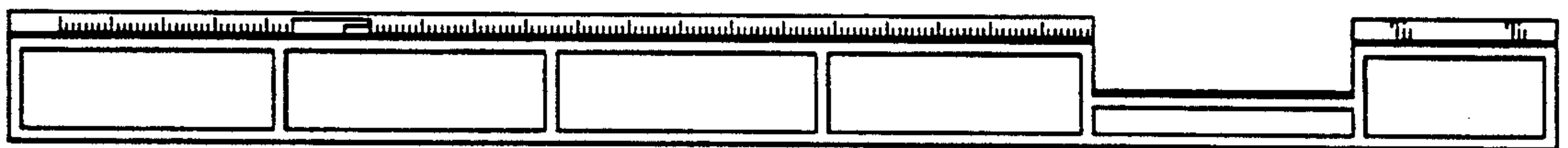
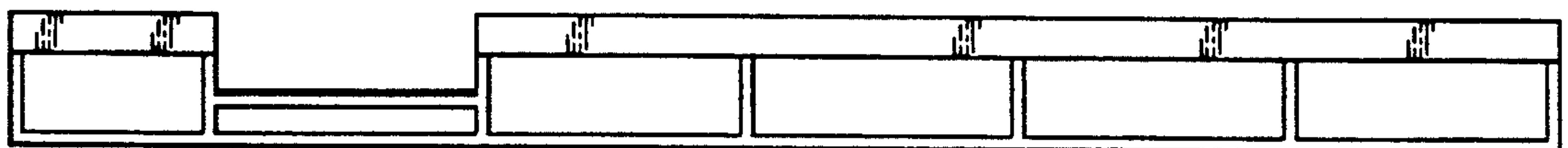


FIG. 2



*FIG. 3*



*FIG. 4*

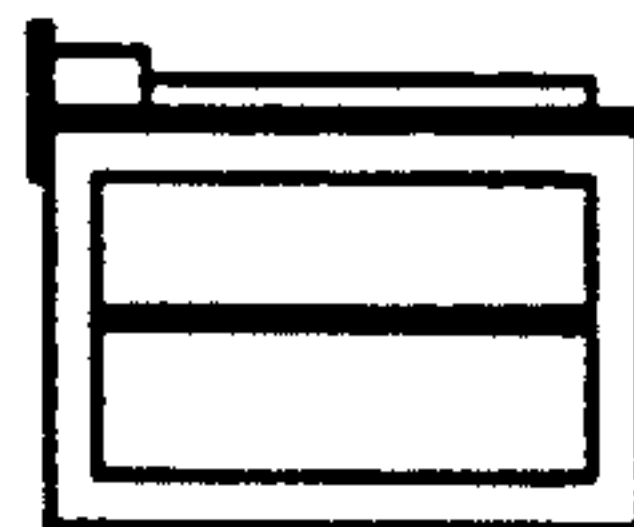


FIG. 5

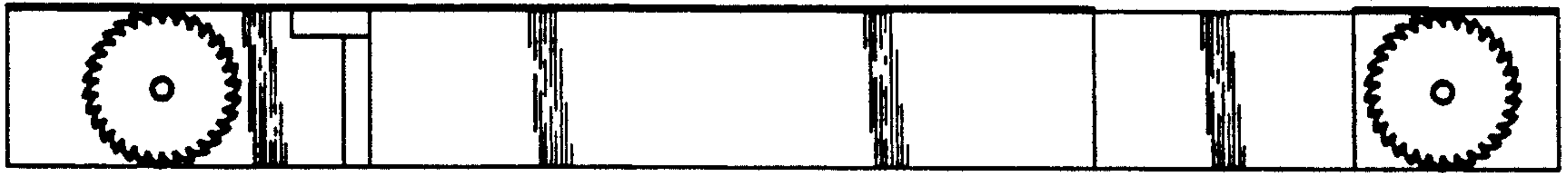


FIG. 6

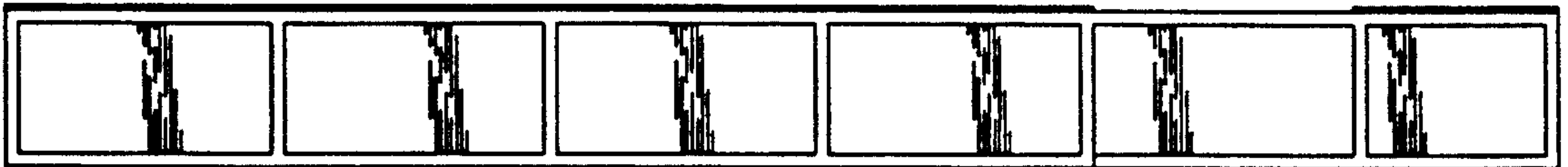


FIG. 7

