



US00D340460S

United States Patent [19]

[11] Patent Number: **Des. 340,460**

Pollak et al.

[45] Date of Patent: **** Oct. 19, 1993**

[54] **FUNNEL WITH LONG RIBBED SPOUT**

D. 241,597	9/1976	Confer	D7/700
4,806,902	2/1989	Gana	141/331 X
4,856,568	8/1989	Murphy et al.	141/337

[75] Inventors: **Louis M. Pollak**, Bridgewater, N.J.;
Michael W. K. Young, Flushing, N.Y.

[73] Assignee: **Injectron Corporation**, Plainfield, N.J.

Primary Examiner—Terry A. Pfeffer
Attorney, Agent, or Firm—Philip H. Gottfried

[**] Term: **14 Years**

[57] **CLAIM**

[21] Appl. No.: **831,316**

The ornamental design for a funnel with long ribbed spout, as shown and described.

[22] Filed: **Feb. 5, 1992**

DESCRIPTION

[52] U.S. Cl. **D15/150; D7/700**

[58] Field of Search **D7/700; D15/150-152, D15/199; D23/200; 141/331, 337, 98**

FIG. 1 is a front elevational view of a funnel with long ribbed spout showing our new design, the rear elevational view being the same but reversed;

FIG. 2 is a top plan view thereof;

FIG. 3 is a right-side elevational view thereof;

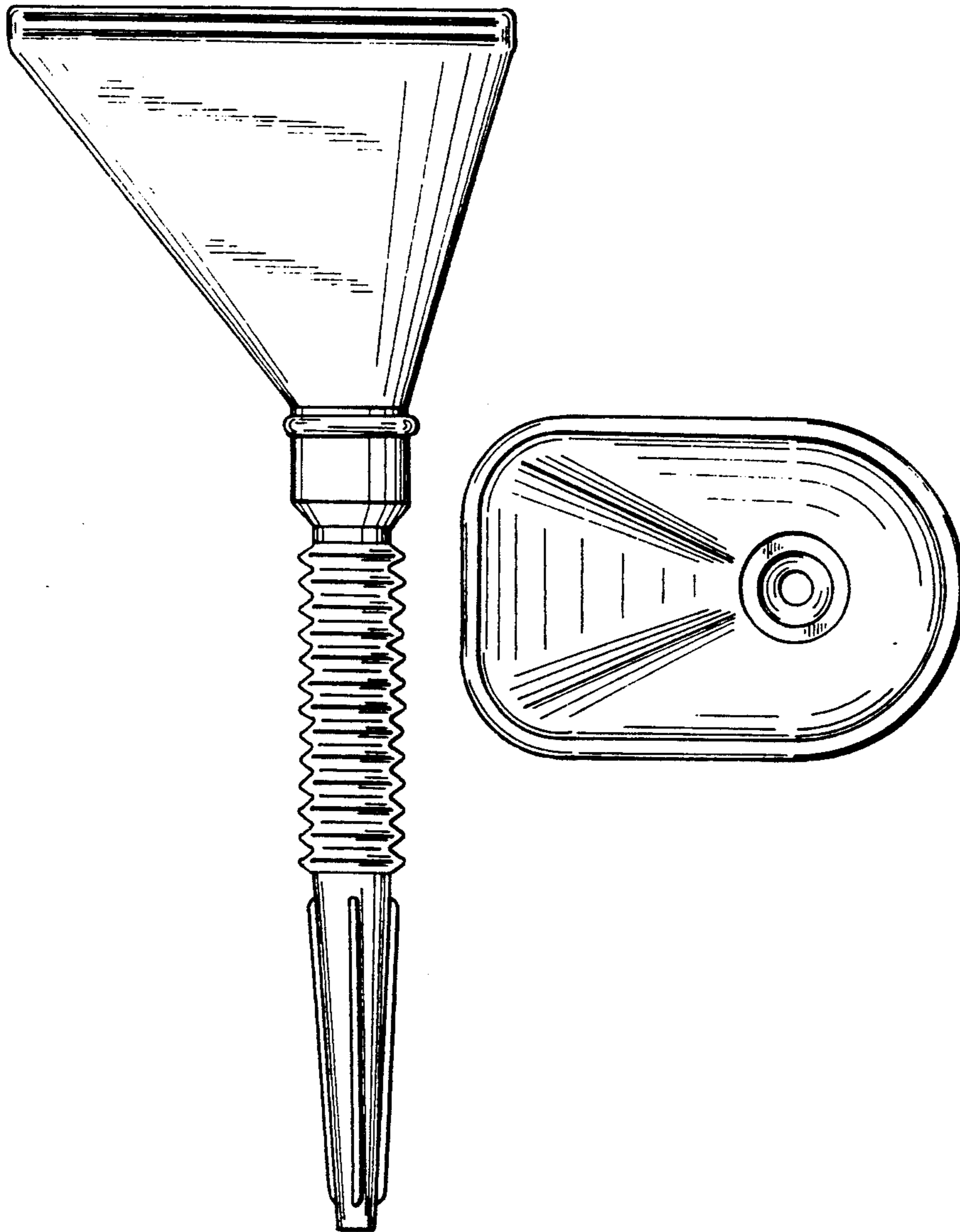
FIG. 4 is a left-side elevational view thereof; and,

FIG. 5 is a bottom plan view thereof.

[56] **References Cited**

U.S. PATENT DOCUMENTS

D. 234,123 1/1975 Ragagu D7/700 X



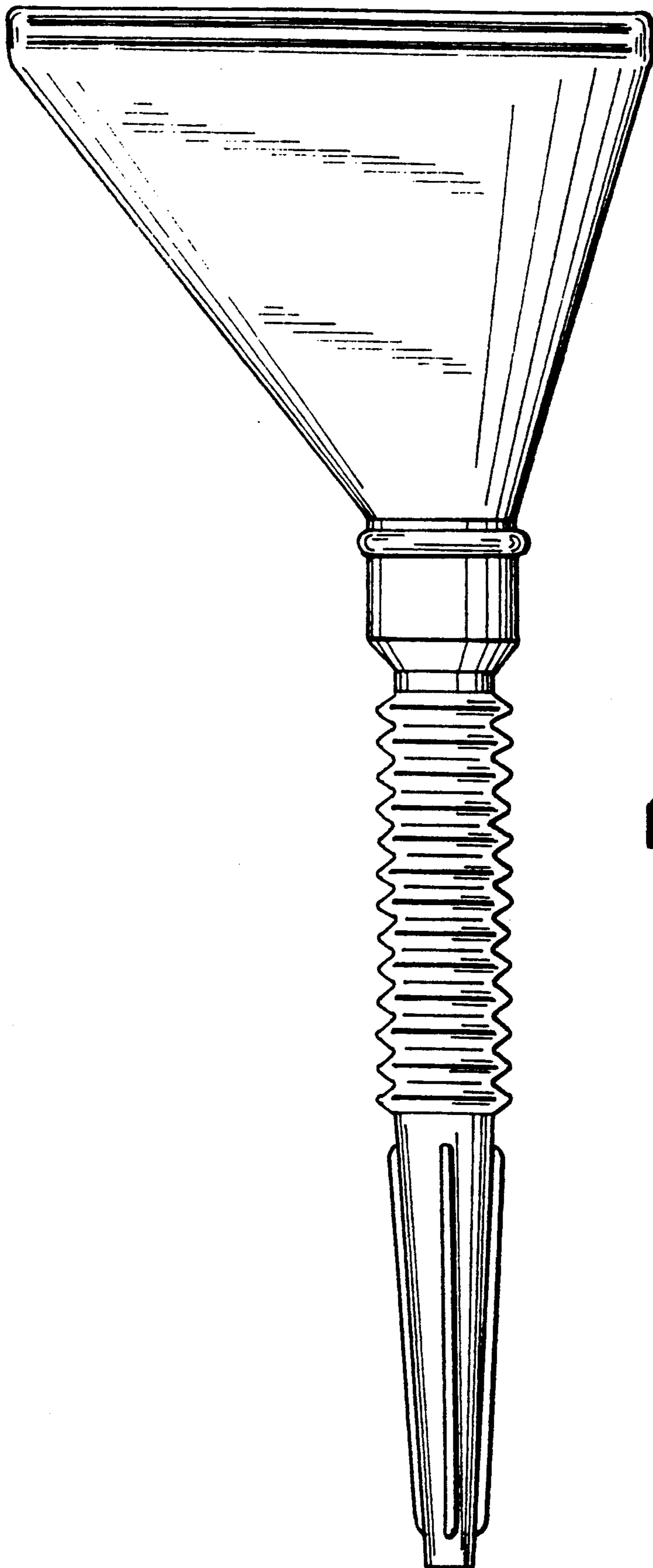


FIG. 1

FIG. 2

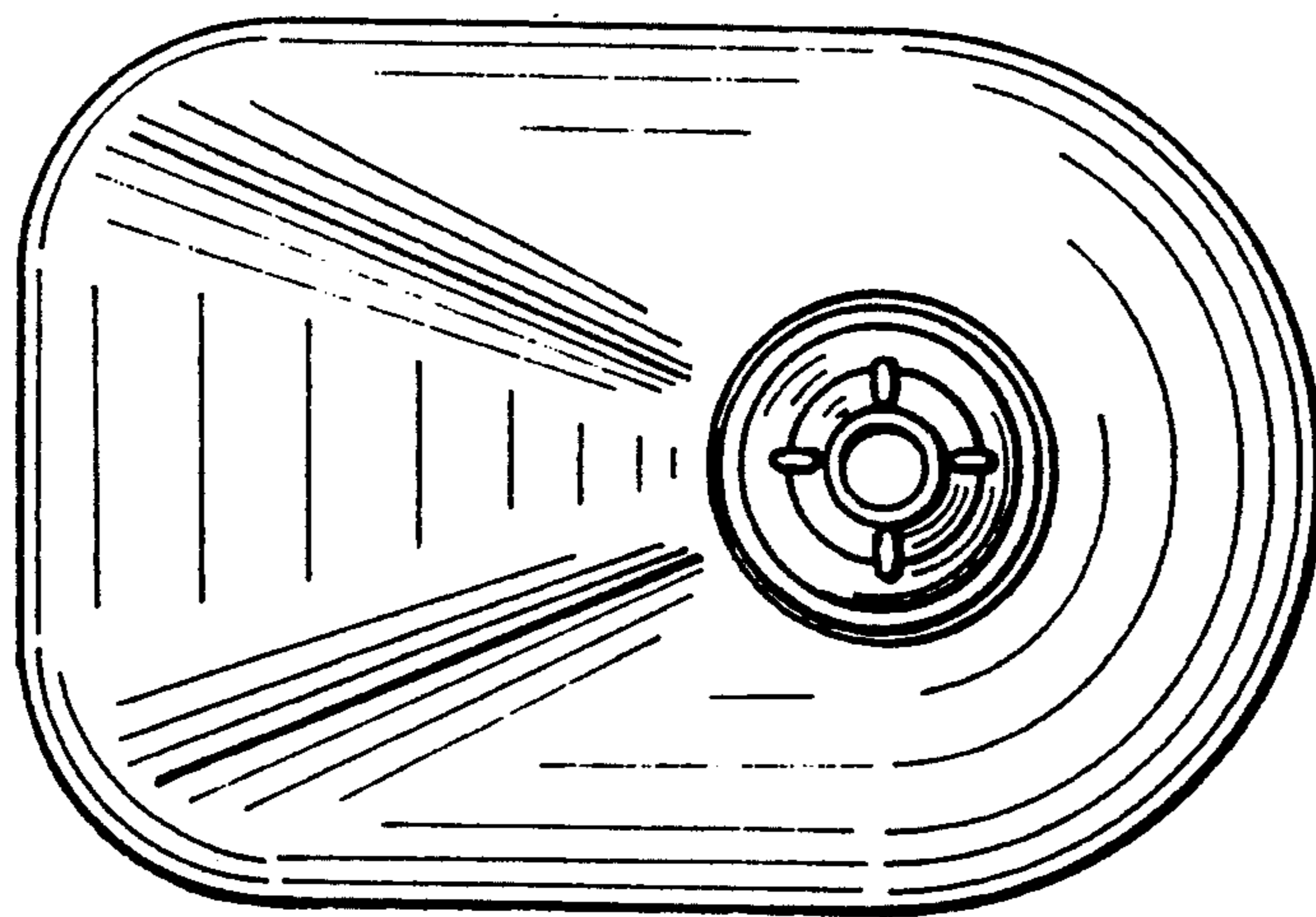
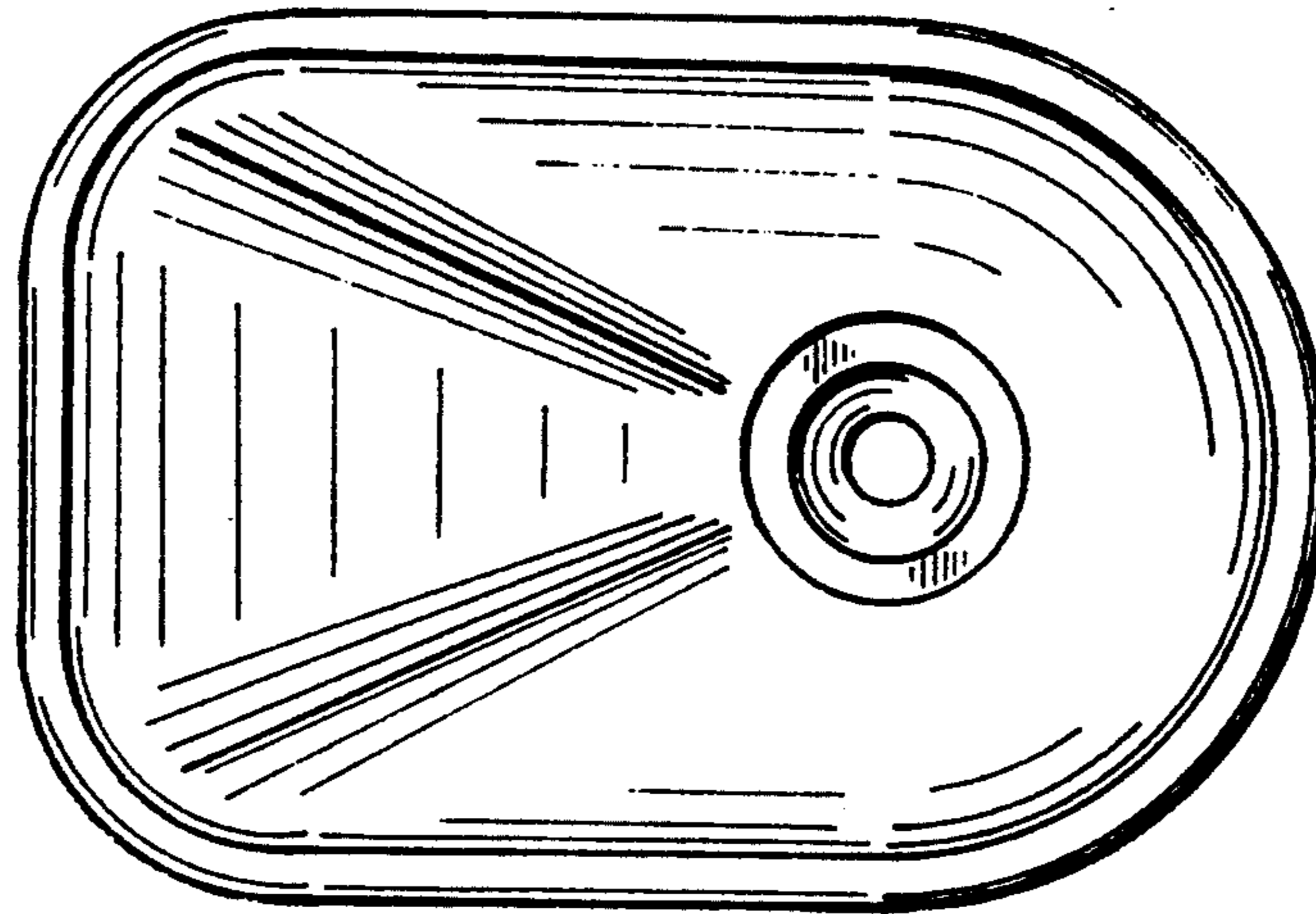


FIG. 5

FIG. 3

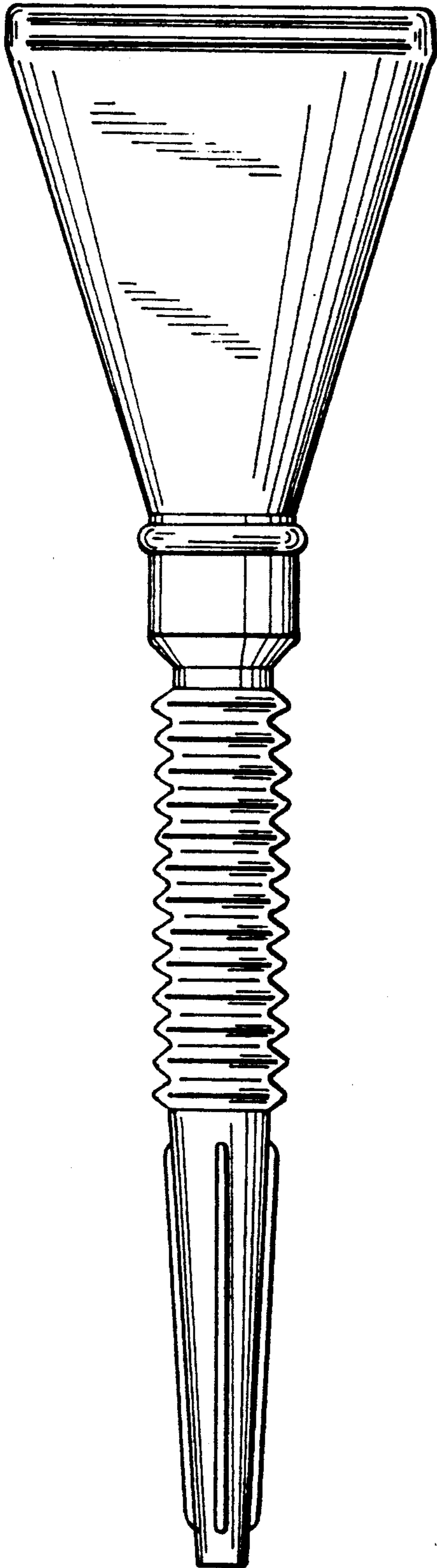


FIG. 4

