



US00D340459S

United States Patent [19]

[11] Patent Number: Des. 340,459

Kawakita et al.

[45] Date of Patent: ** Oct. 19, 1993

[54] **LAWN MOWER**

[75] Inventors: **Hiroaki Kawakita; Toshihiko Hamada; Yoshihiro Kawahara; Akiyoshi Takemoto; Terutaka Takei,** all of Sakai, Japan

[73] Assignee: **Kubota Corporation, Osaka, Japan**

[**] Term: **14 Years**

[21] Appl. No.: **681,196**

[22] Filed: **Apr. 3, 1991**

[30] **Foreign Application Priority Data**

Mar. 11, 1991 [JP] Japan 3-6634

[52] U.S. Cl. **D15/15**

[58] Field of Search **D15/10, 14-17; 56/13.3, 13.4, 15.8, 16.7, 17.1, 202, 255, 320.2; 180/89.1, 89.12, 900**

[56] **References Cited**

U.S. PATENT DOCUMENTS

- D. 227,392 6/1973 Skyer D15/15
- D. 242,940 1/1977 Ehrlin et al. D15/15
- D. 243,270 2/1977 Ehrlin et al. D15/15

- D. 249,267 9/1978 Brackin et al. D15/15
- 4,311,204 1/1982 Shupert 180/89.1
- 4,747,257 5/1988 Hutchison 56/15.8
- 4,787,646 11/1988 Kamlukin et al. 56/15.8
- 4,835,951 6/1989 Walker 56/202
- 4,899,525 2/1990 Takei et al. 56/202
- 5,029,437 7/1991 Dobberpuhl 56/15.8

OTHER PUBLICATIONS

John Deere Front Mowers, pub Dec. 1987 p. 10 mower F910, right.

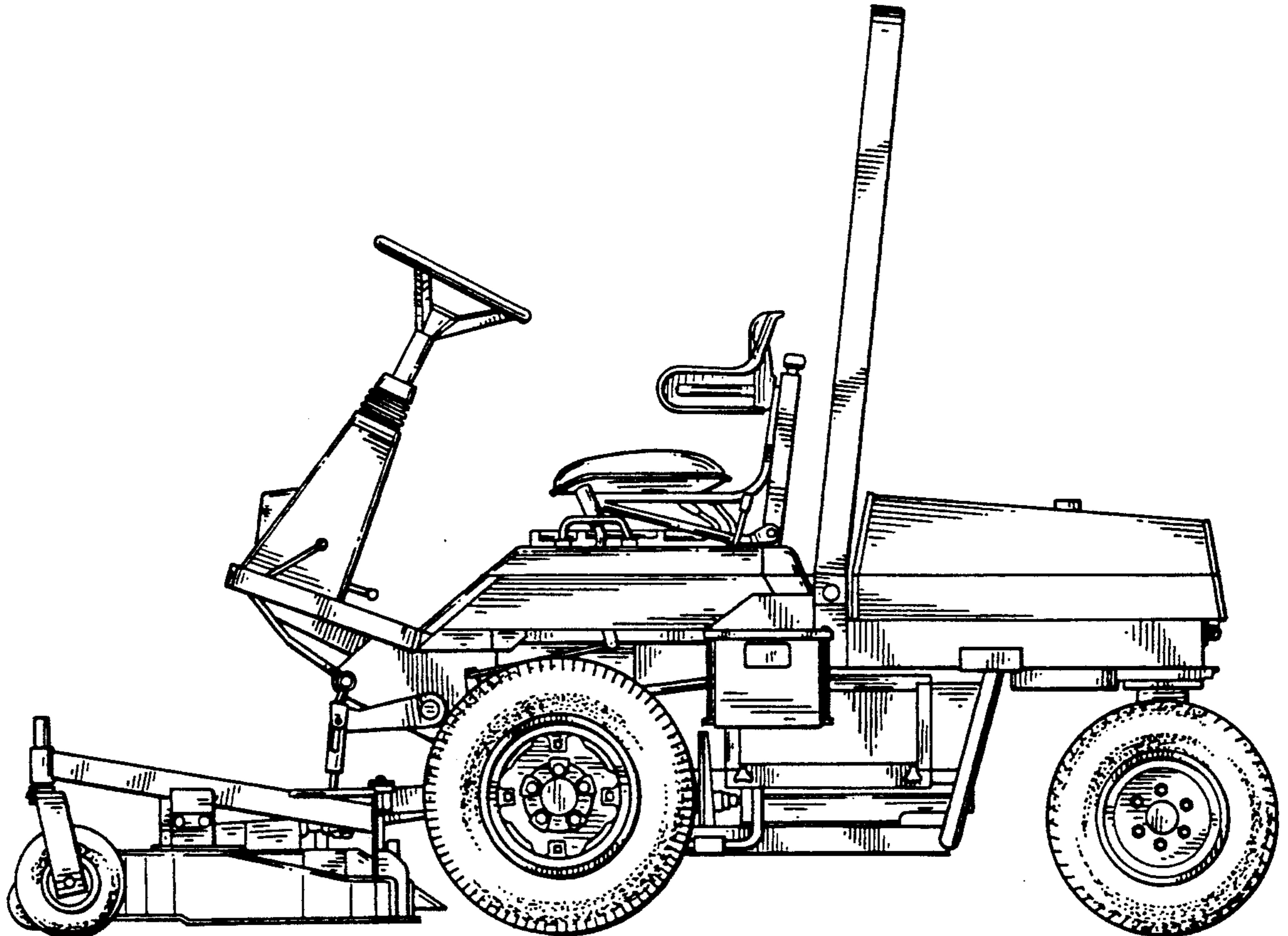
Primary Examiner—Bernard Ansher
Assistant Examiner—Sandra Morris
Attorney, Agent, or Firm—Jordan and Hamburg

[57] CLAIM

The ornamental design of a lawn mower, as shown and described.

DESCRIPTION

FIG. 1 is a right side elevation view of our lawn mower; FIG. 2 is a left side elevation view thereof; FIG. 3 is a top plan view thereof; FIG. 4 is a front elevation view thereof; and, FIG. 5 is a rear elevation view thereof.



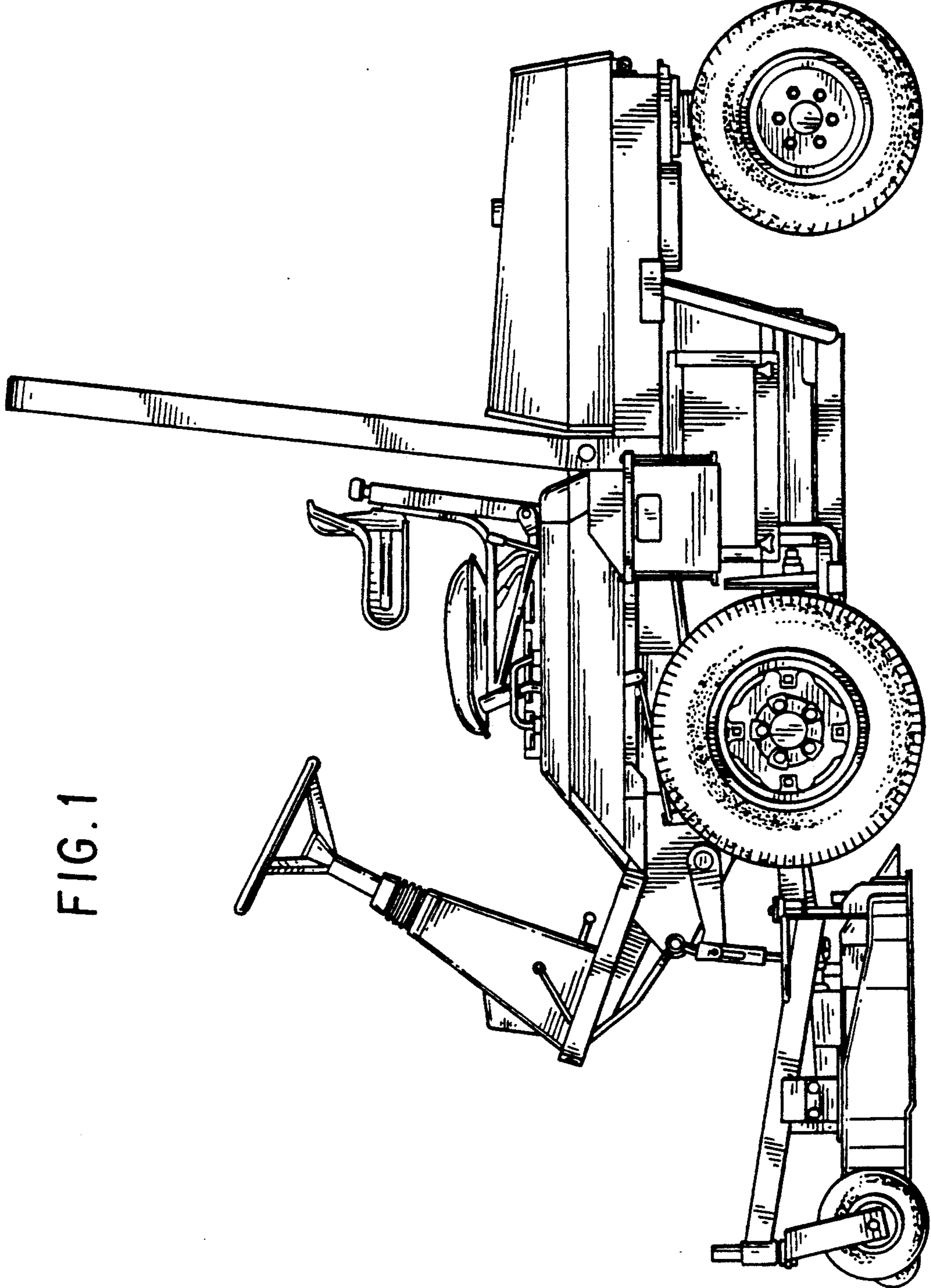


FIG. 1

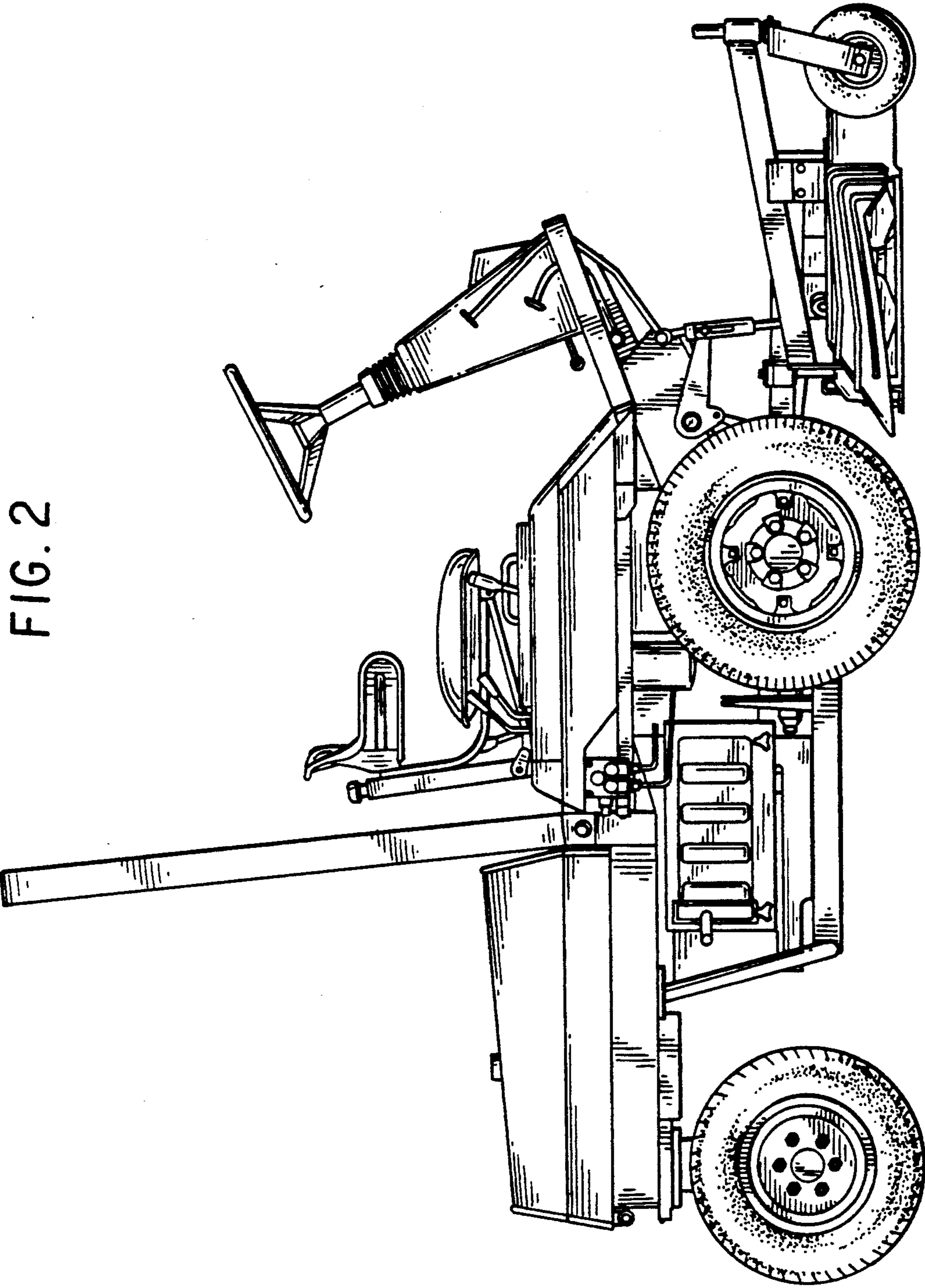


FIG. 2

FIG. 3

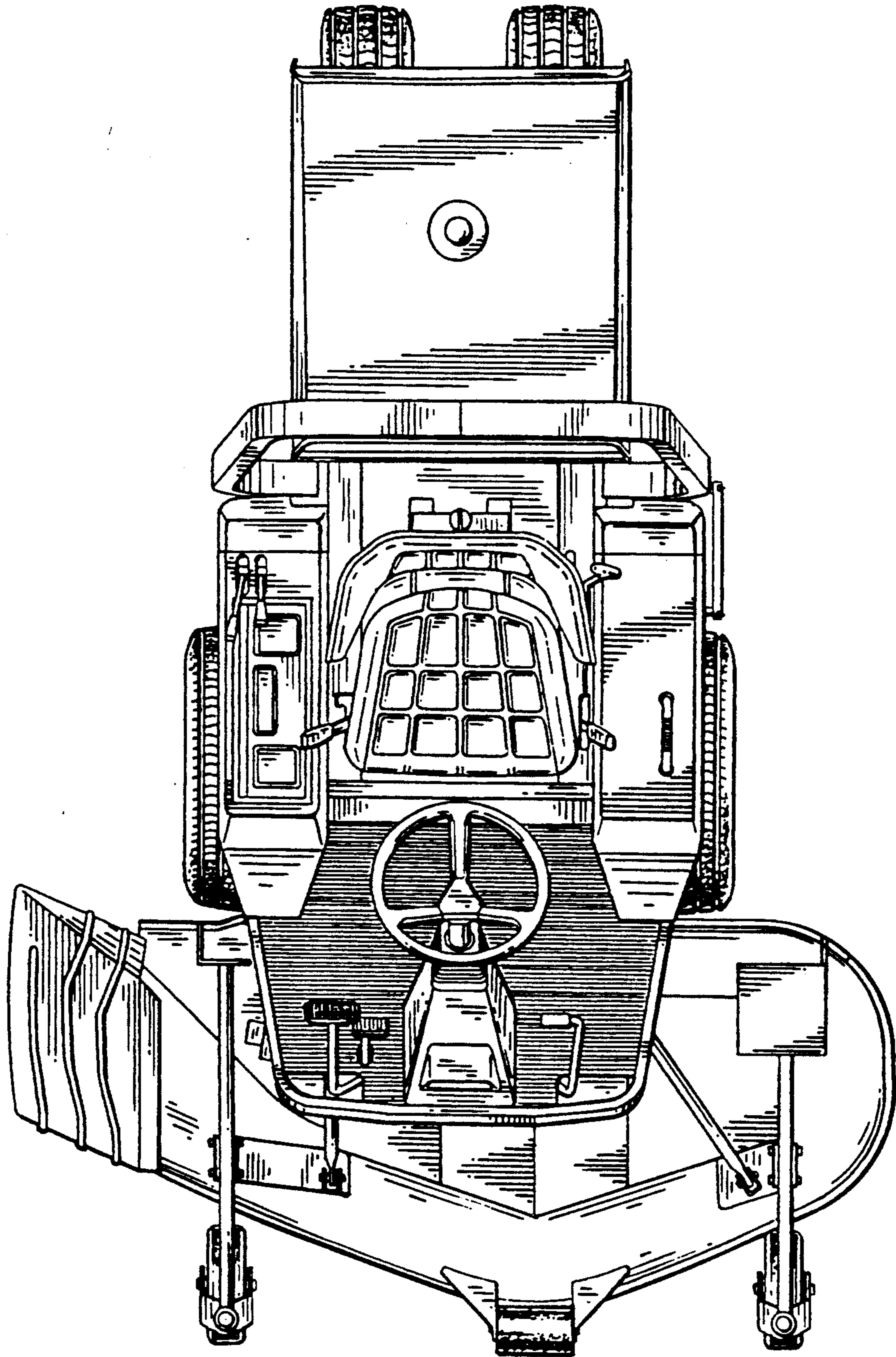


FIG. 4

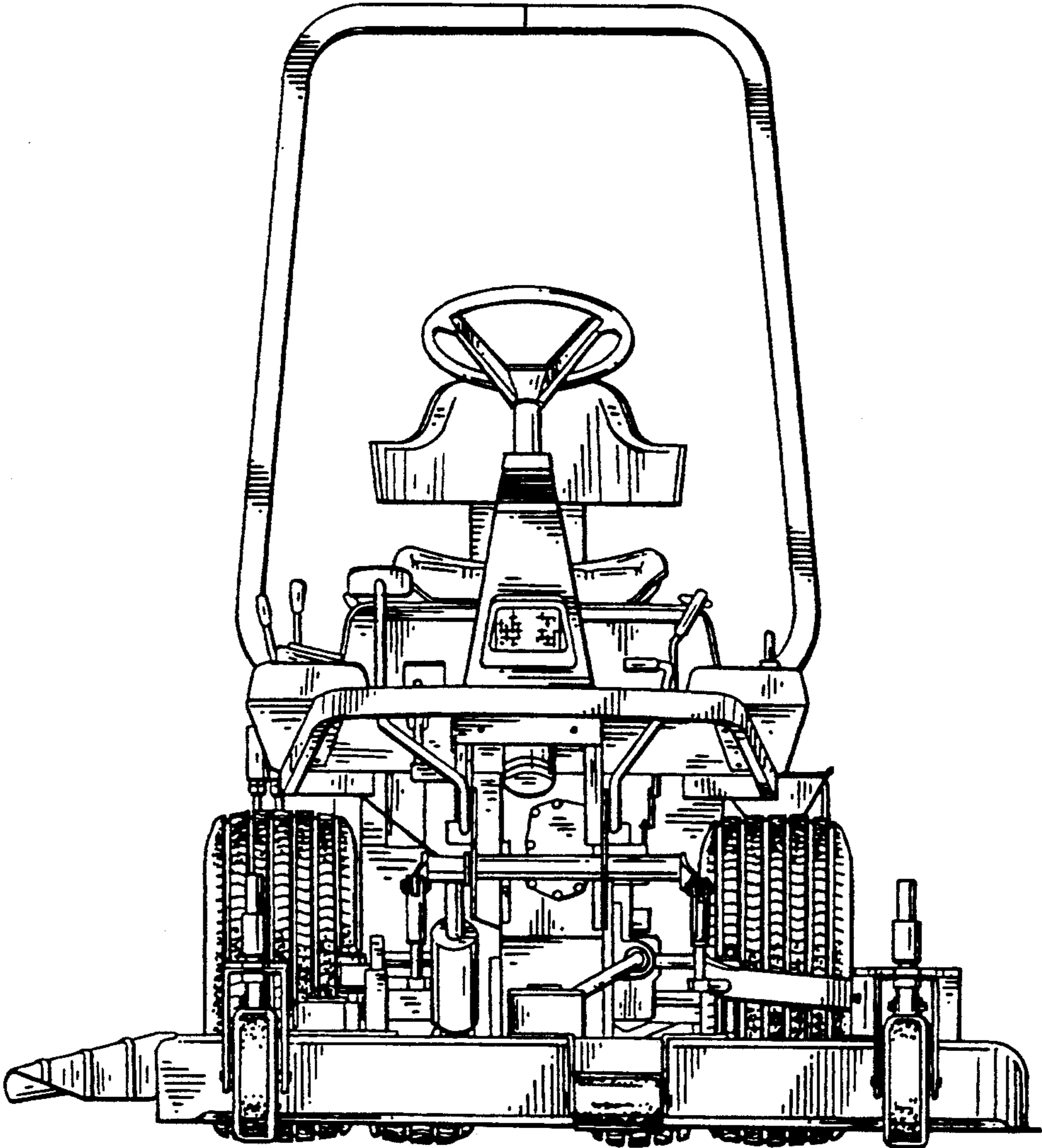


FIG. 5

