



US00D340457S

United States Patent [19]

Lennon, III

[11] Patent Number: Des. 340,457

[45] Date of Patent: ** Oct. 19, 1993

[54] TELEPHONE LINE NOISE SUPPRESSOR

5,099,514 3/1992 Acree 379/442 X

[76] Inventor: William E. Lennon, III, P.O. Box 8166, Lakeland, Fla. 33802

FOREIGN PATENT DOCUMENTS

2942771 5/1981 Fed. Rep. of Germany D13/162 X

[**] Term: 14 Years

[21] Appl. No.: 804,166

Primary Examiner—Alan P. Douglas
Assistant Examiner—Jeffrey Asch
Attorney, Agent, or Firm—George A. Bode

[22] Filed: Dec. 9, 1991

[52] U.S. Cl. D14/240

[58] Field of Search D14/256, 240, 242, 243, D14/140; D13/160-162, 184; 379/442, 400, 412; 378/197, 193; 361/119

[57] CLAIM

The ornamental design for a telephone line noise suppressor, as shown and described.

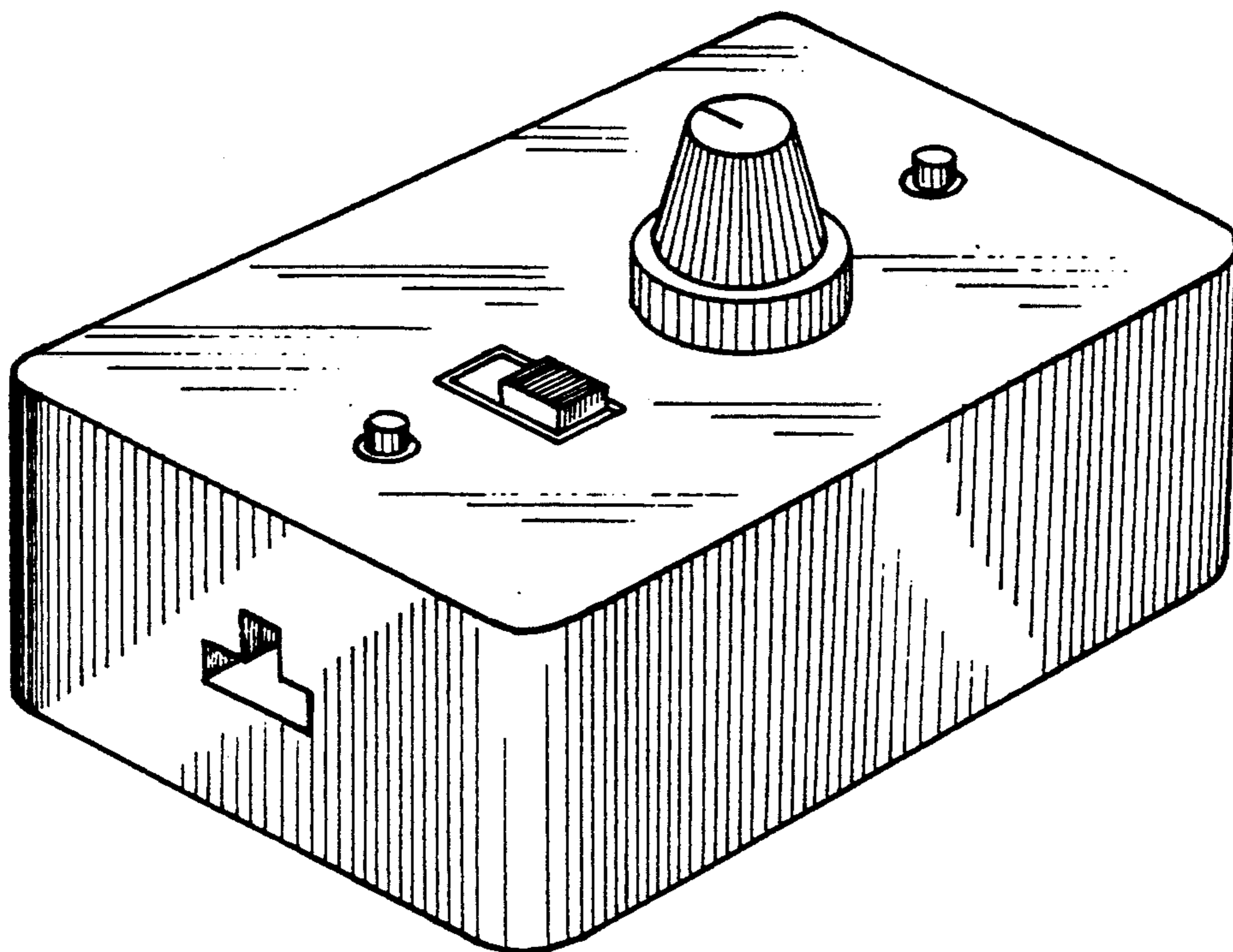
DESCRIPTION

FIG. 1 is a top perspective view of a telephone line noise suppressor showing my new design; FIG. 2 is a left side elevational view thereof, the side opposite being a mirror image of that shown; FIG. 3 is a top plan view thereof, the bottom being of the same shape, but having no design features on the surface; FIG. 4 is a front elevational view thereof; and, FIG. 5 is a rear elevational view thereof.

[56] References Cited

U.S. PATENT DOCUMENTS

D. 275,667	9/1984	Dellinger et al.	D14/256
D. 308,664	6/1990	Freeman et al.	D14/256
D. 312,612	12/1990	Seymour	D13/162 X
2,866,868	12/1958	Carlson et al.	D13/160 X
4,362,905	12/1982	Ismail	379/442
4,373,120	2/1983	McDonald	379/442 X
4,879,437	11/1989	Dard et al.	D13/162 X



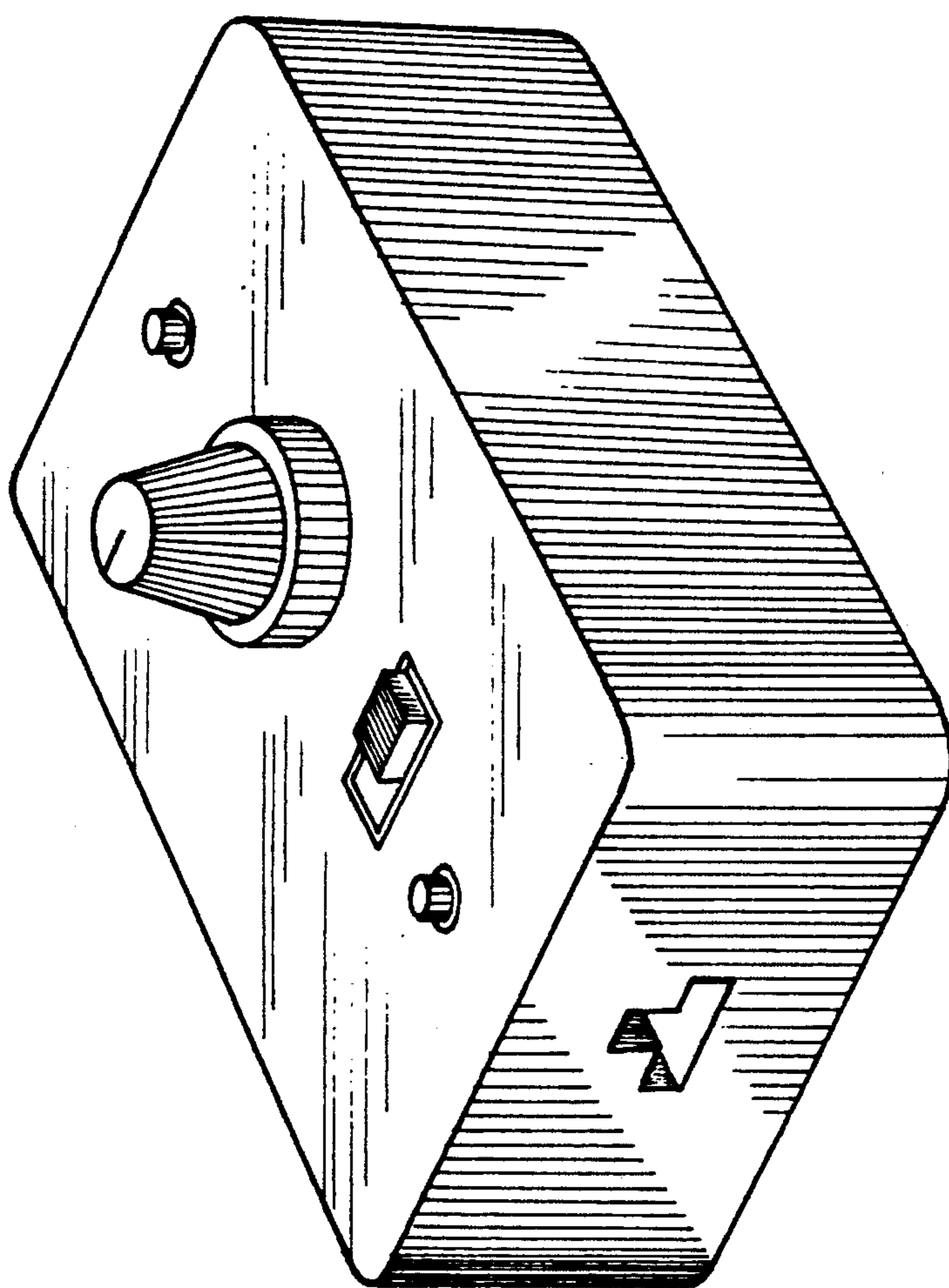


FIG. 1

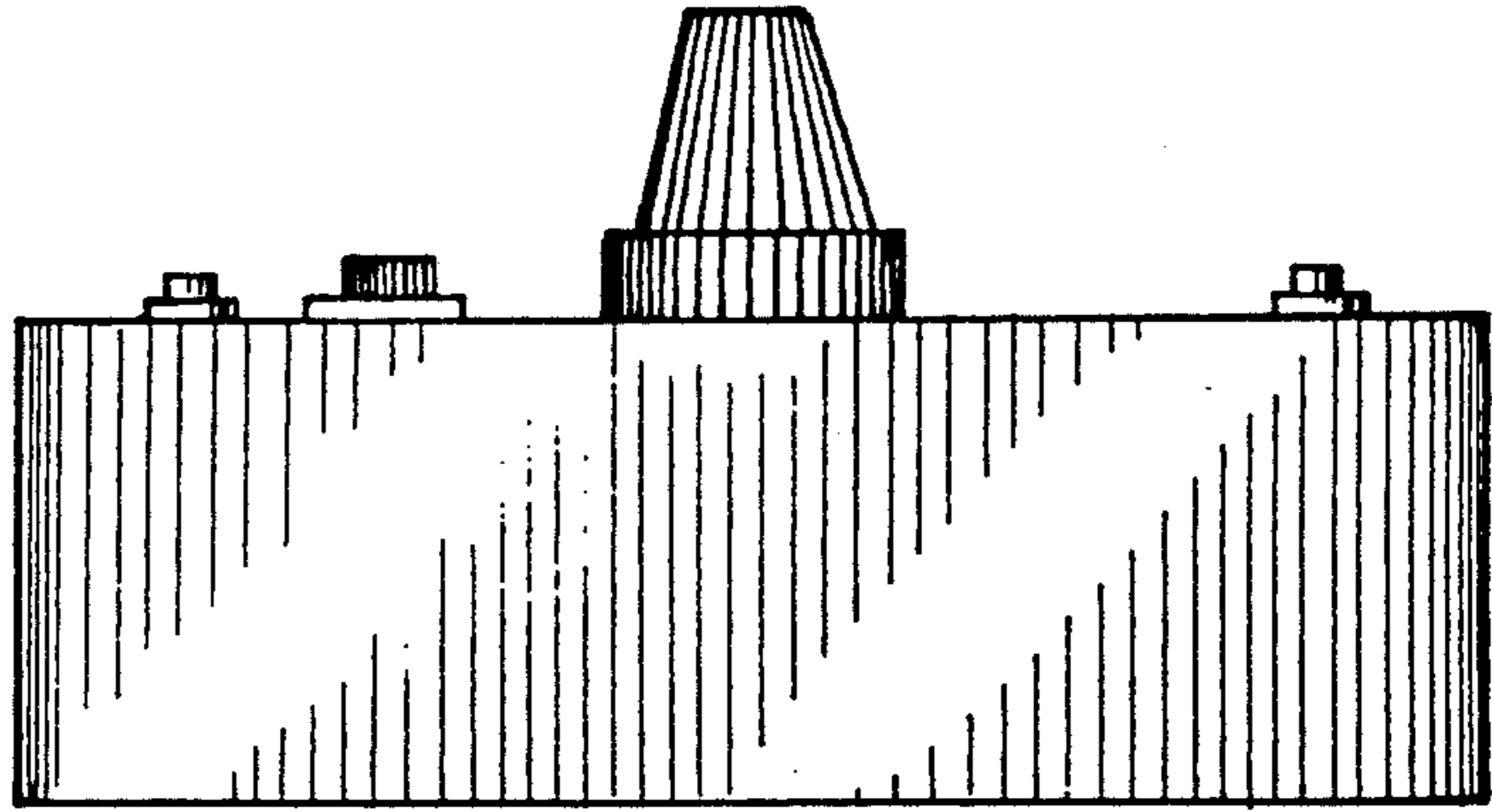


FIG. 2

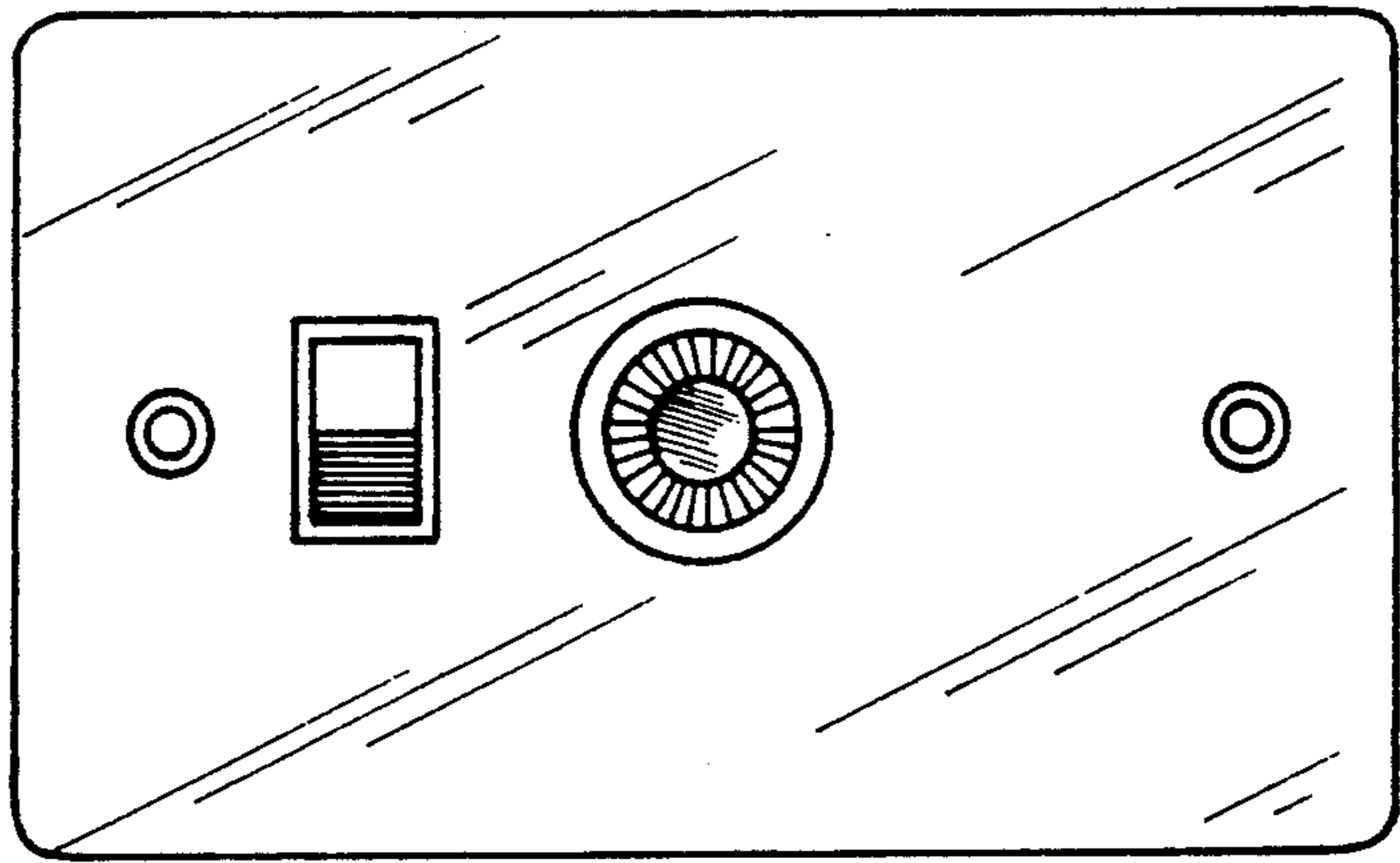


FIG. 3

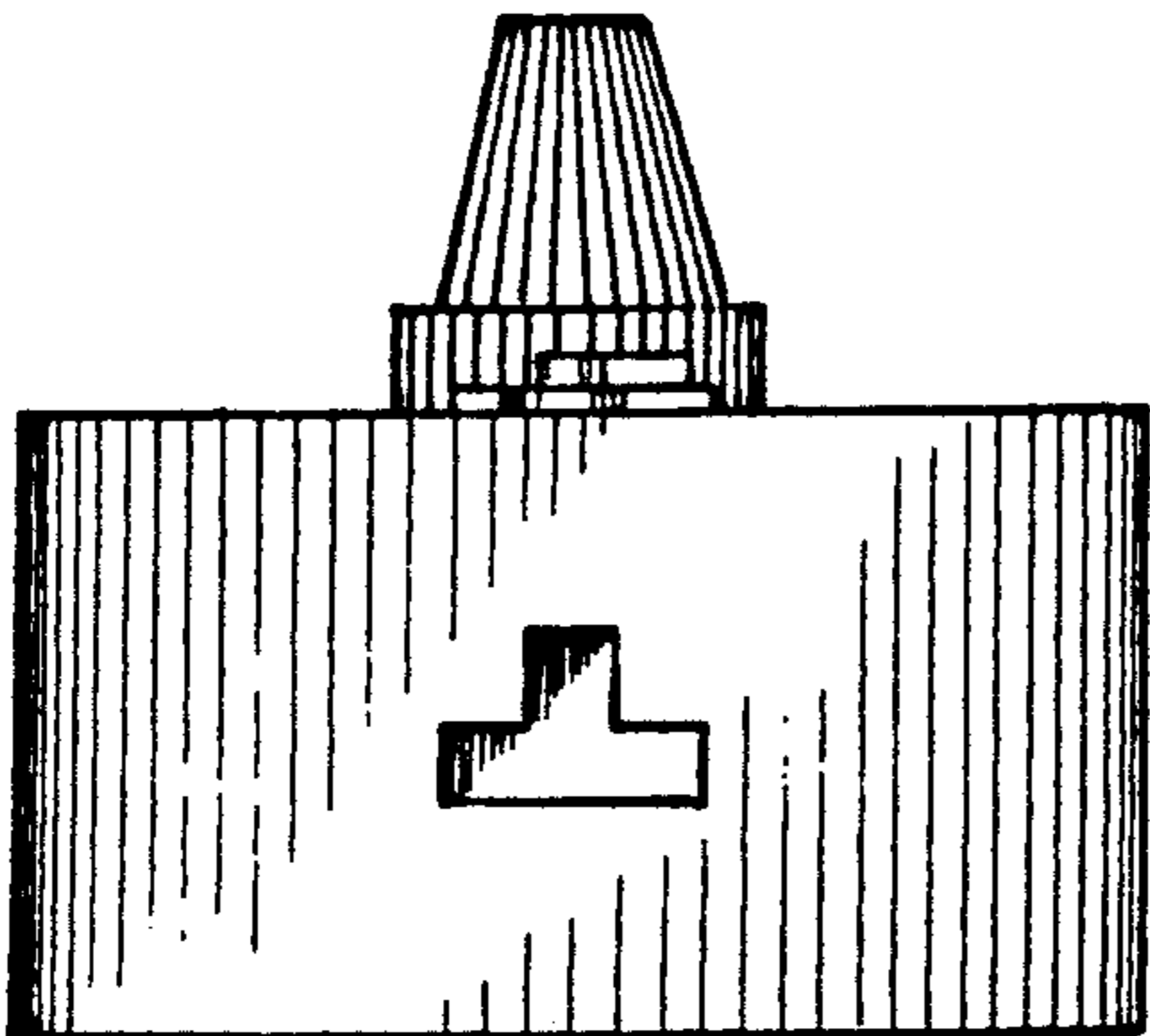


FIG. 4

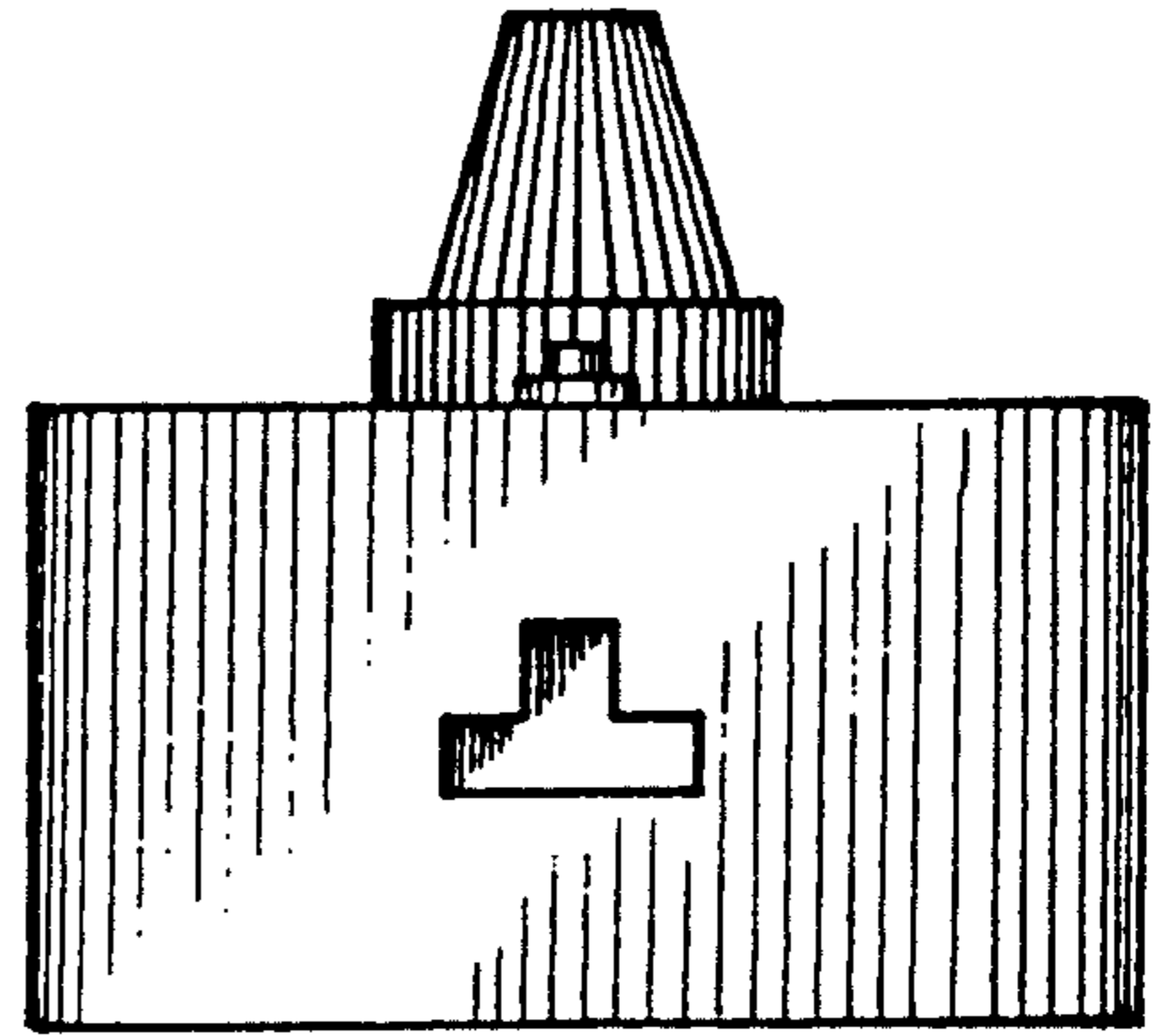


FIG. 5