



US00D340456S

United States Patent [19] Watson

[11] Patent Number: Des. 340,456
[45] Date of Patent: ** Oct. 19, 1993

[54] LIGHTED REMOTE CONTROL

4,825,200 4/1989 Evans et al. D14/353 X

[76] Inventor: **Barbara A. Watson**, Rte. 3 - Box
785-G, Hilliard, Fla. 32046

OTHER PUBLICATIONS

High Fidelity, Oct. 1988, p. 57, Proton remote control.

[**] Term: **14 Years**

Primary Examiner—Theodore M. Shooman
Attorney, Agent, or Firm—Hugh E. Smith

[21] Appl. No.: 225

[57] CLAIM

[22] Filed: **Oct. 7, 1992**

The ornamental design for a lighted remote control, as shown and described.

[52] U.S. Cl. **D14/218**

[58] Field of Search D14/124, 217-218,
D14/299; D13/168; D18/6-7, 11; 455/151.1,
352-355; 358/194.1

DESCRIPTION

FIG. 1 is a front elevational view of the lighted remote control showing my new design;
FIG. 2 is a rear elevational view thereof;
FIG. 3 is a left side elevational view thereof;
FIG. 4 is a right side elevational view thereof;
FIG. 5 is a top plan view thereof; and,
FIG. 6 is a bottom plan view thereof.

[56] References Cited

U.S. PATENT DOCUMENTS

- D. 301,037 5/1989 Matsuda D14/218
- D. 310,219 8/1990 Carlile D14/218 X
- D. 328,902 8/1992 Lee D14/218

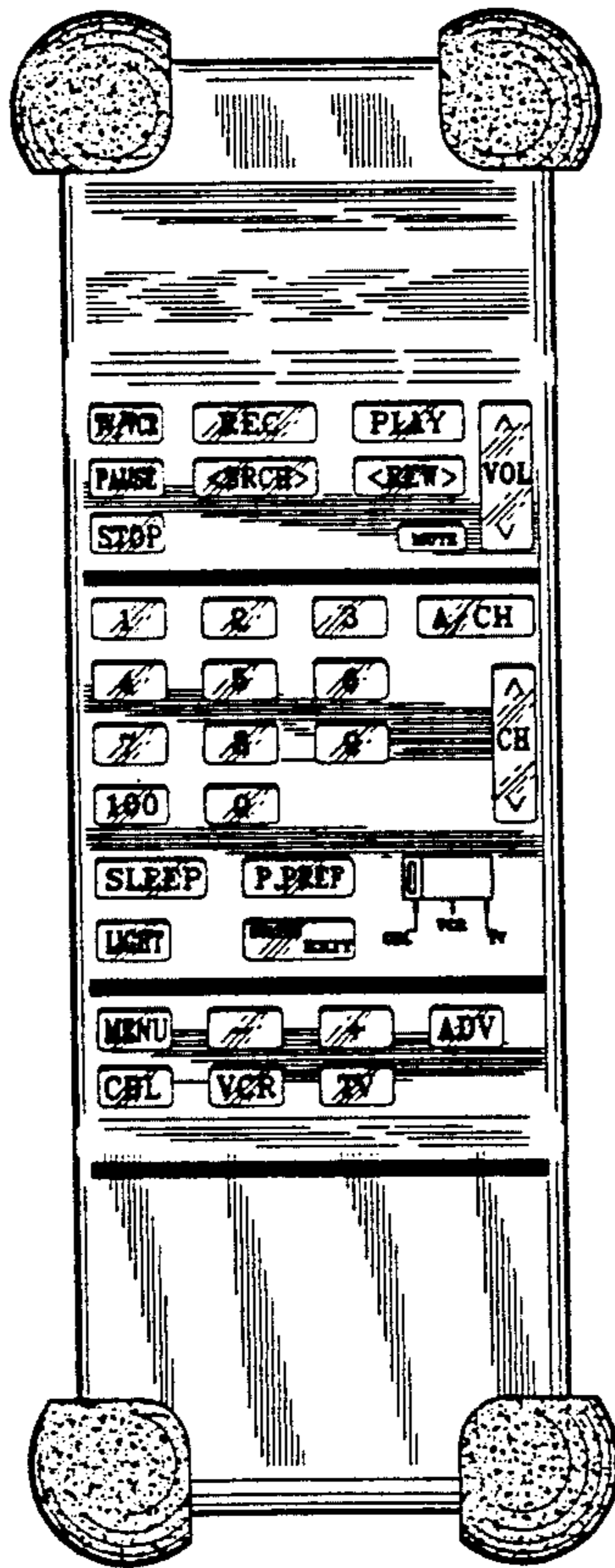
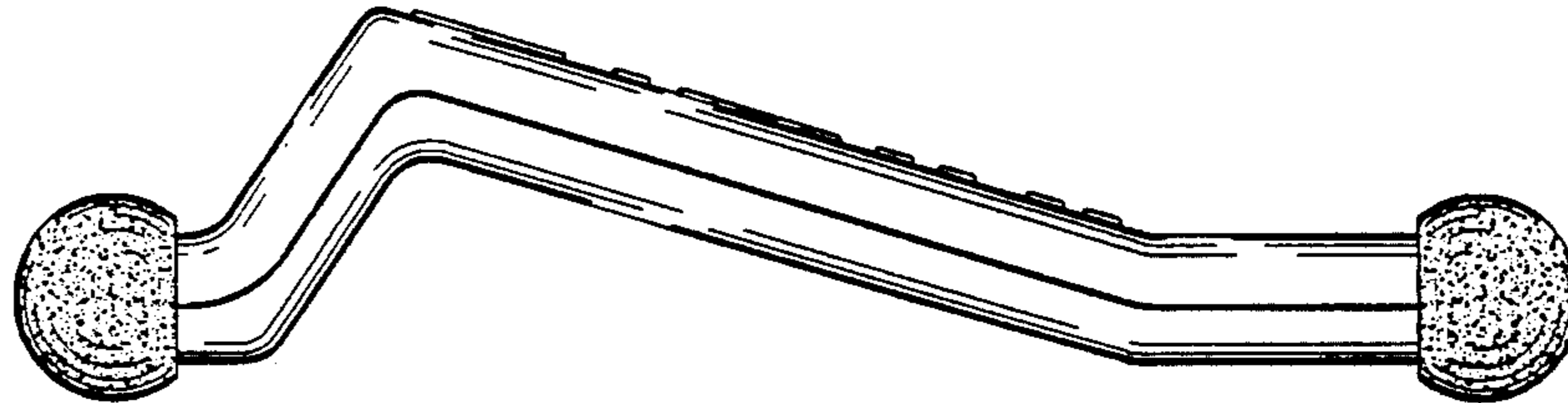


FIG. 1

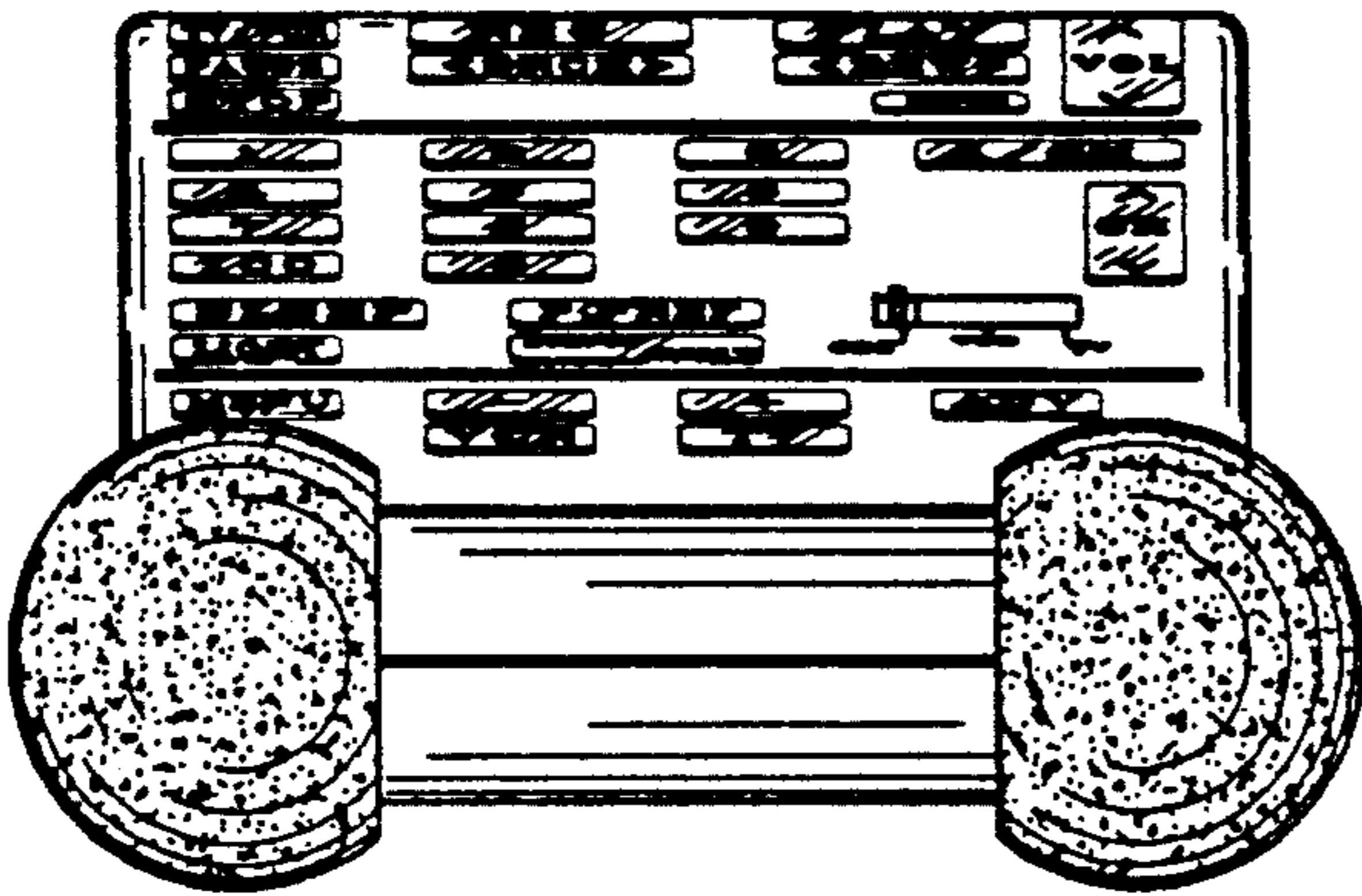


FIG. 2

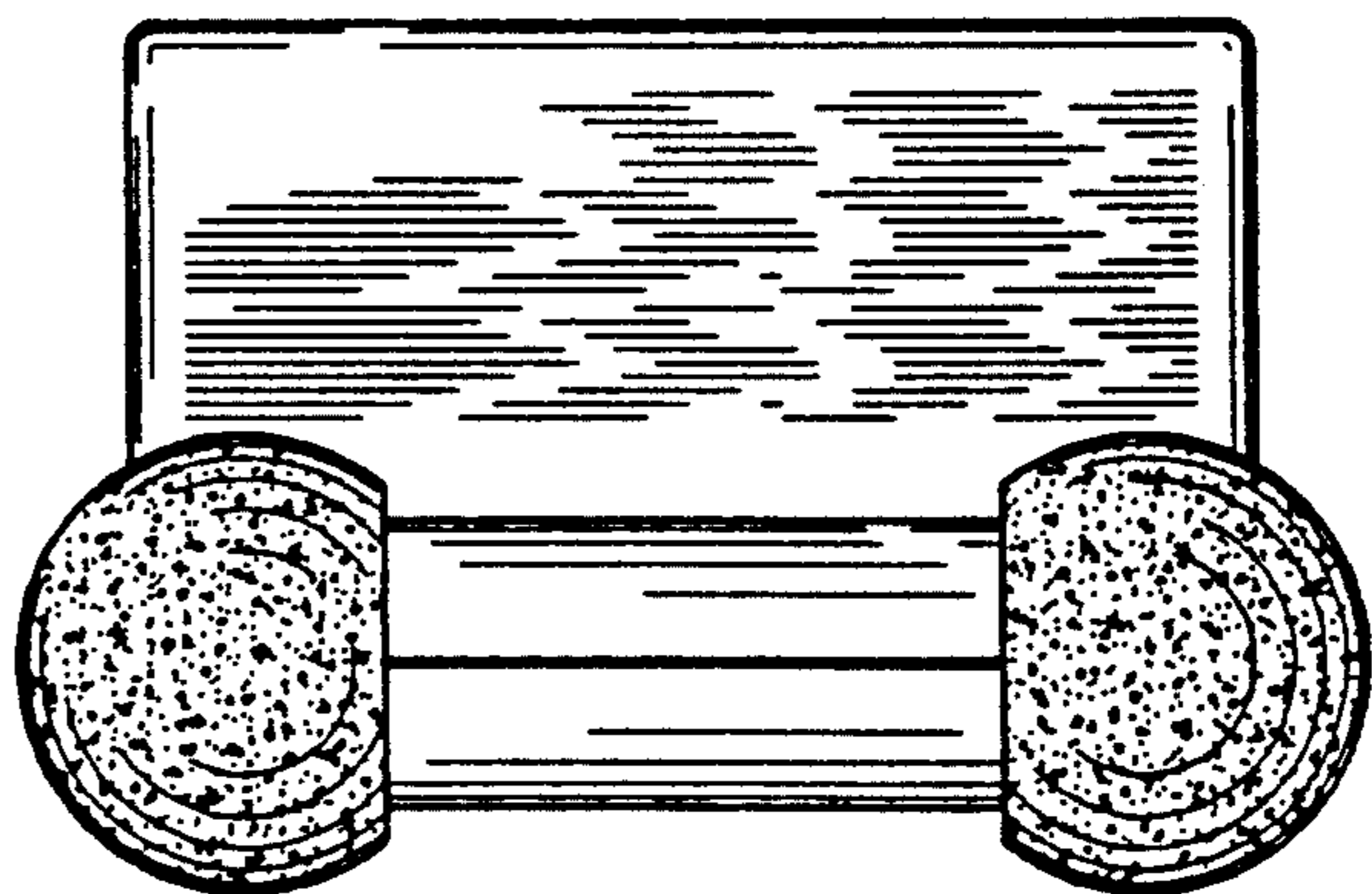


FIG. 3

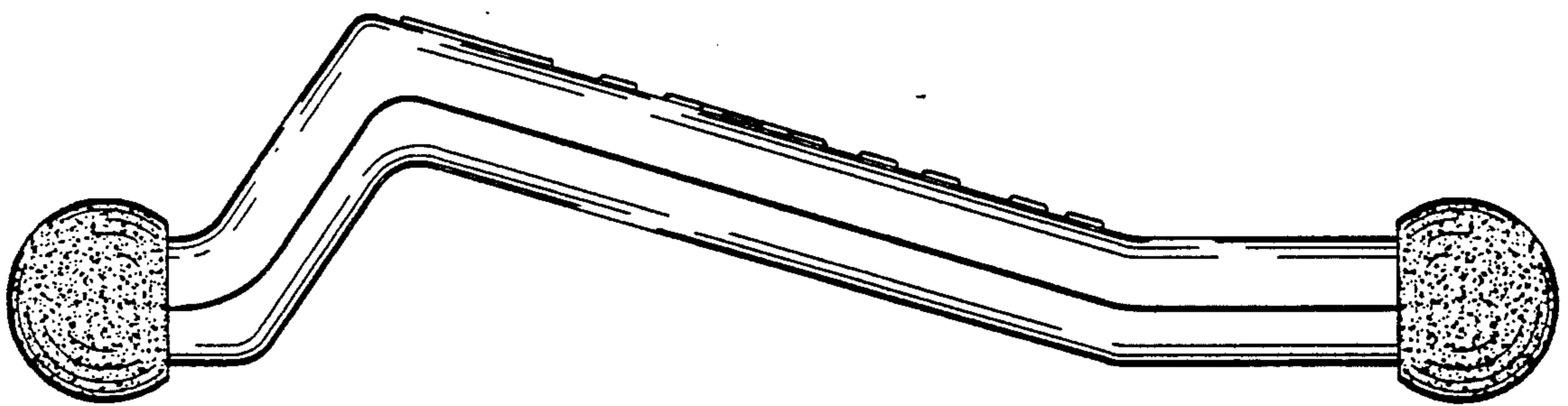


FIG. 4

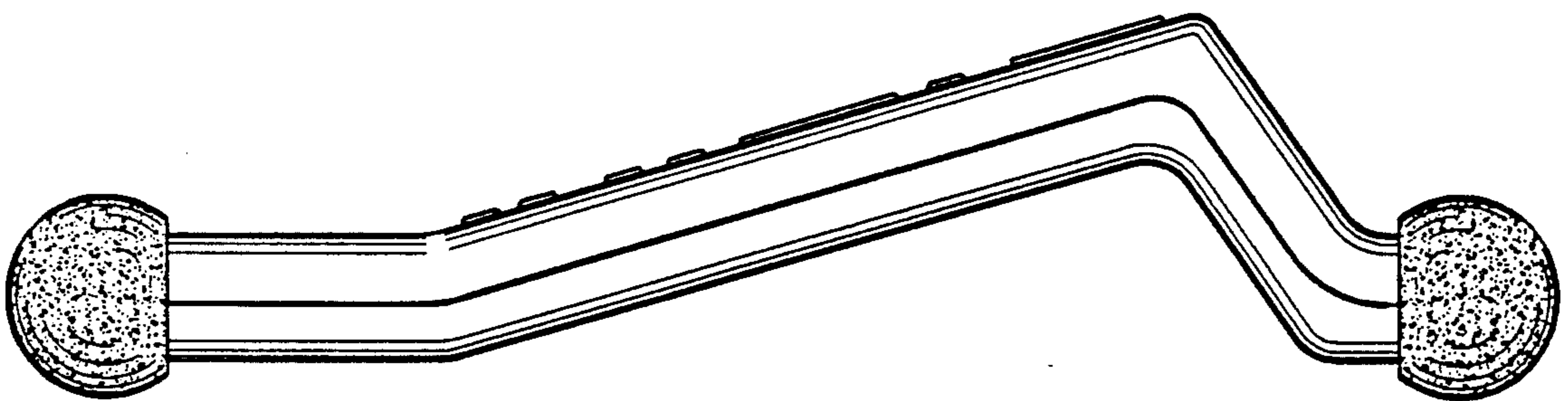


FIG. 5

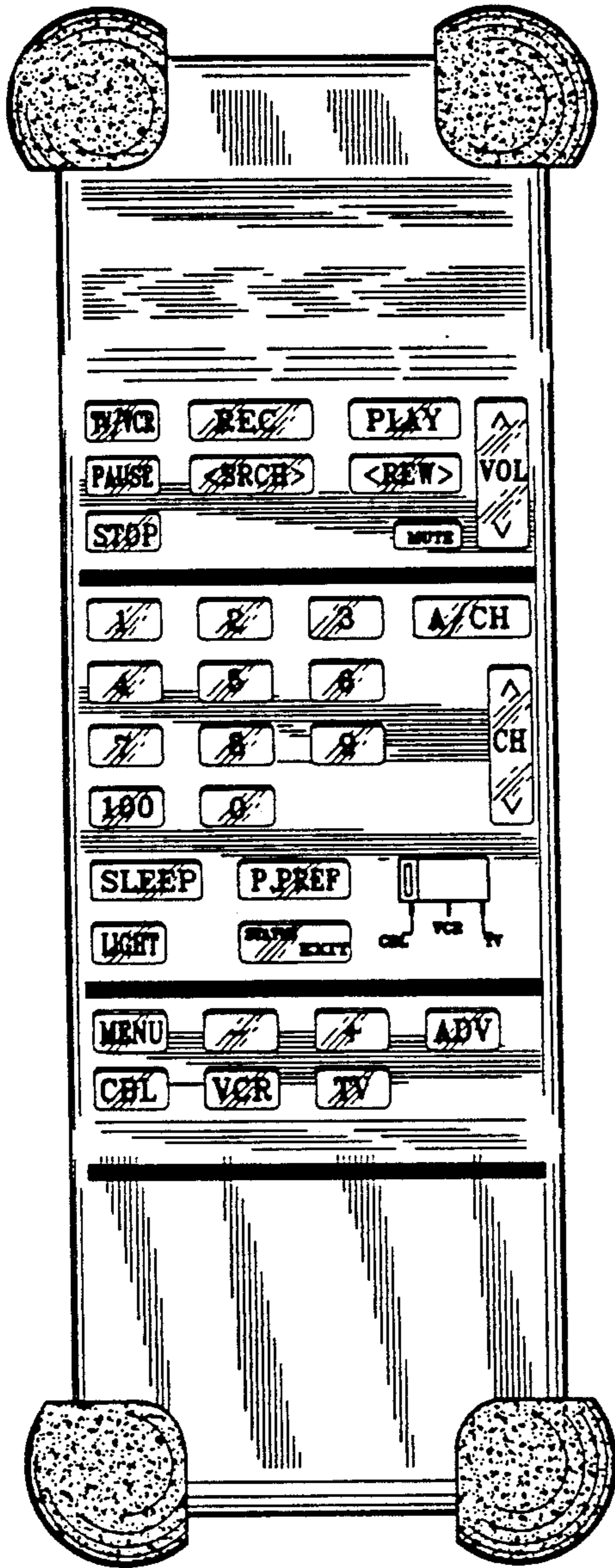


FIG. 6

