



US00D340448S

United States Patent [19]

[11] Patent Number: **Des. 340,448**

Inoue et al.

[45] Date of Patent: **** Oct. 19, 1993**

[54] **DISC DRIVE**

[75] Inventors: **Kazuhiko Inoue, Houya; Takashi Watanabe, Ichikawa, both of Japan**

[73] Assignee: **Teac Corporation, Tokyo, Japan**

[**] Term: **14 Years**

[21] Appl. No.: **753,672**

[22] Filed: **Sep. 3, 1991**

[30] **Foreign Application Priority Data**

Mar. 5, 1991 [JP] Japan 3-5916

[52] U.S. Cl. **D14/109**

[58] Field of Search **D14/100, 102, 108, 109; D13/162, 184, 199; 360/99.12; 361/390-395**

[56] **References Cited**

U.S. PATENT DOCUMENTS

- D. 297,537 9/1988 Noda et al. D14/109
- D. 308,966 7/1990 Alfonso et al. D14/109
- D. 311,175 10/1990 Lin D14/100 X
- D. 314,561 2/1991 Watanabe D14/108
- D. 331,391 12/1992 Furuta et al. D14/100

OTHER PUBLICATIONS

PC Magazine Dec. 12, 1989 p. 157—Bridge-File 3.5 Floppy disk drive.

Primary Examiner—Wallace R. Burke
Assistant Examiner—Freda S. Nunn
Attorney, Agent, or Firm—Michael N. Meller

[57] **CLAIM**

The ornamental design for a disc drive, as shown and described.

DESCRIPTION

FIG. 1 is a top plan view of a disc drive showing our new design;
FIG. 2 is a bottom plan view thereof;
FIG. 3 is a front view thereof;
FIG. 4 is a rear view thereof;
FIG. 5 is a left side view thereof;
FIG. 6 is a right side view thereof;
FIG. 7 is a perspective view thereof; and,
FIG. 8 is a sectional view thereof taken along line 8—8 of FIG. 3.

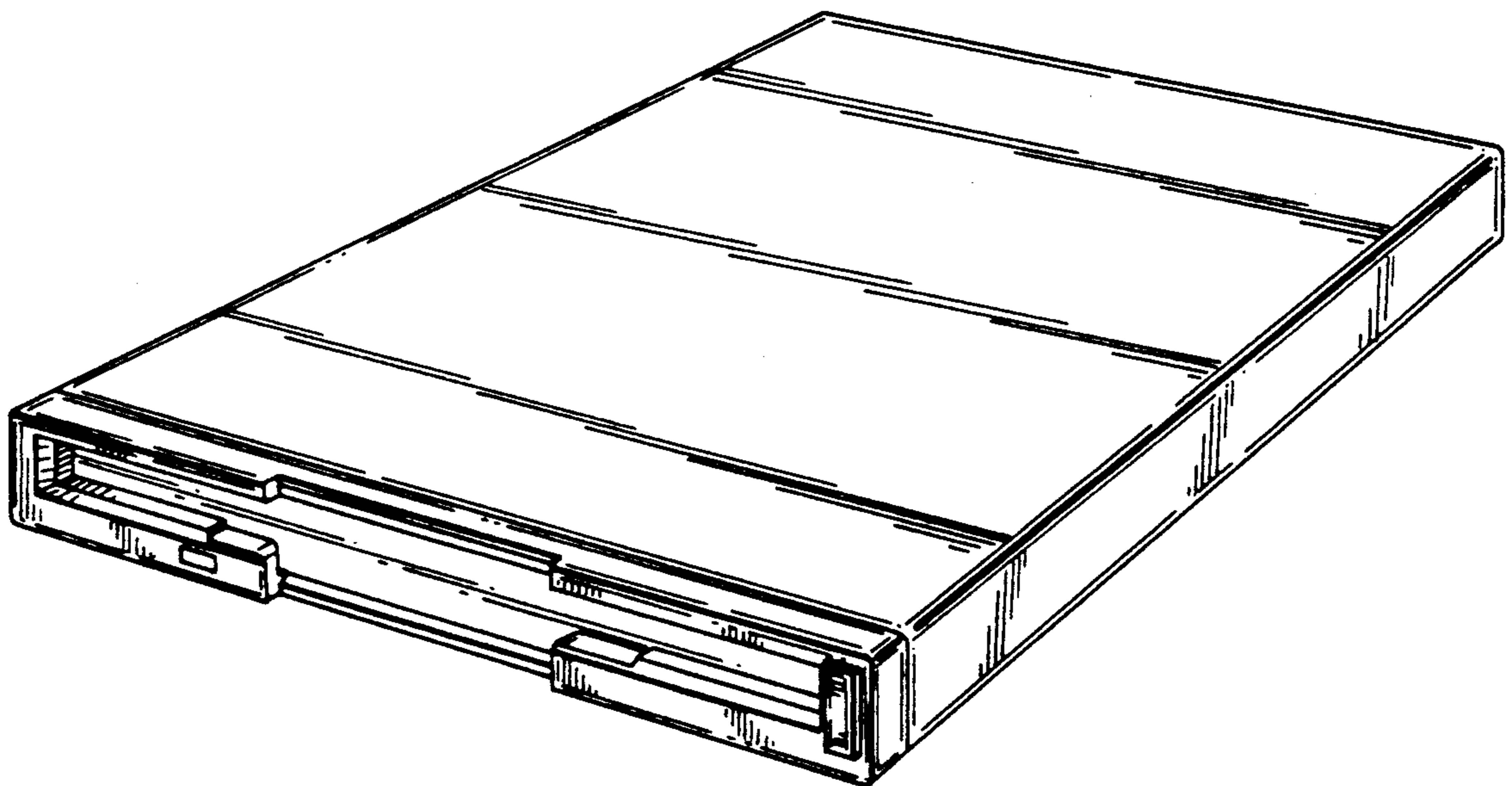


FIG. 1

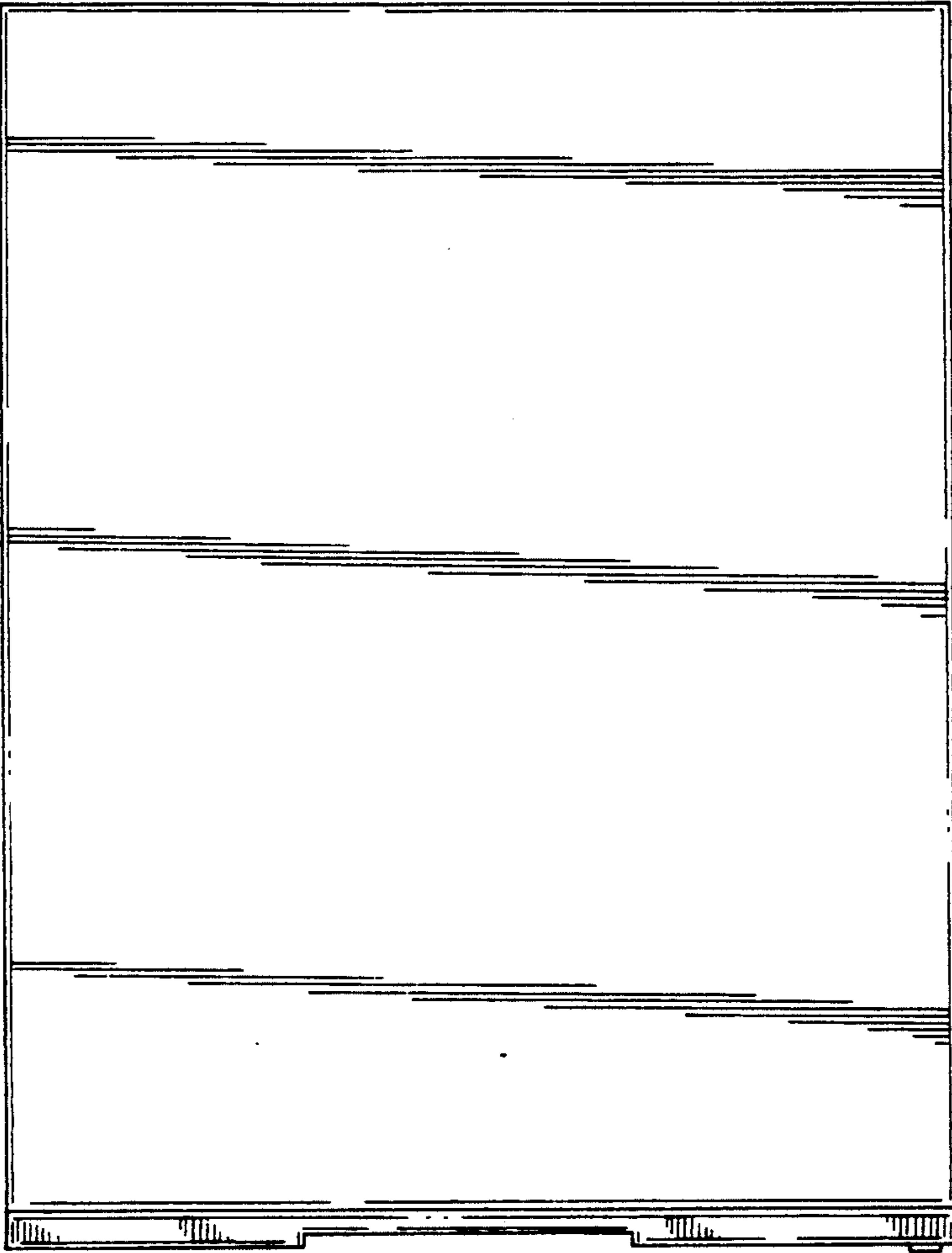


FIG. 2

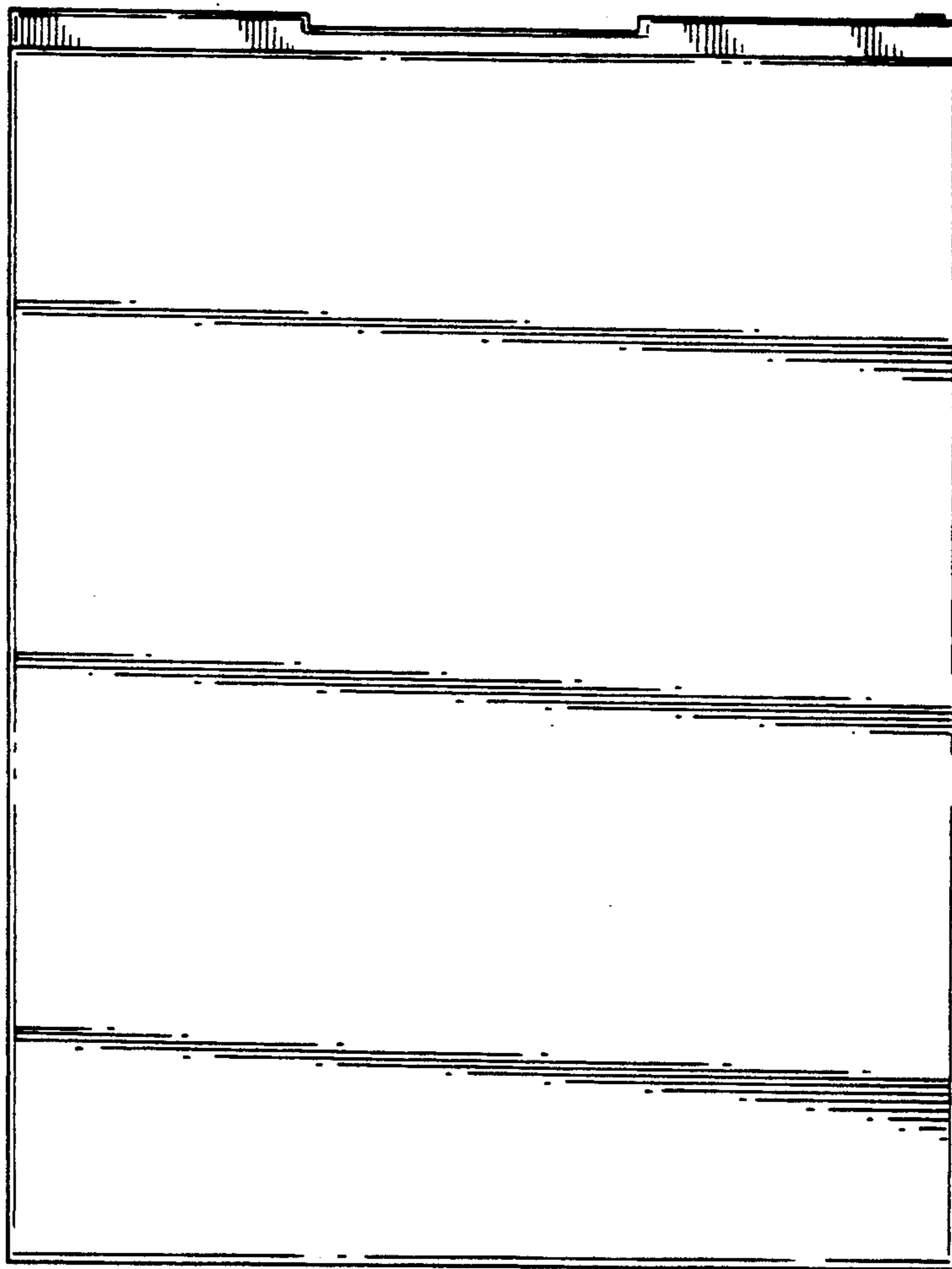


FIG. 3

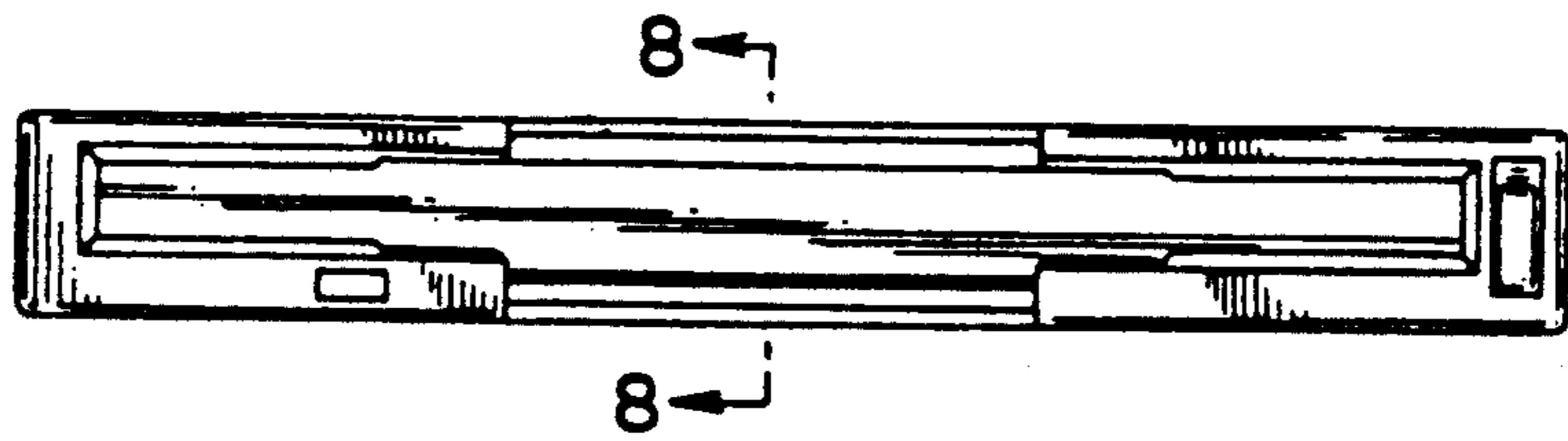


FIG. 4

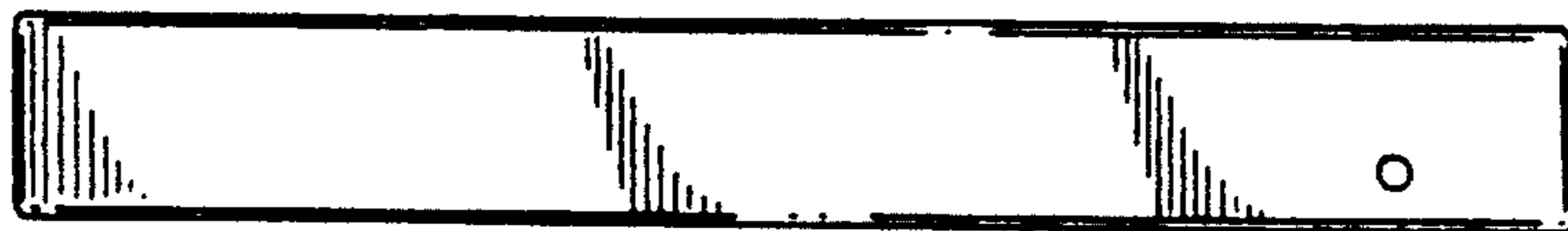


FIG. 5



FIG. 6



FIG. 8



FIG. 7

