



US00D340447S

# United States Patent [19]

[11] Patent Number: **Des. 340,447**

Fukagawa et al.

[45] Date of Patent: **\*\* Oct. 19, 1993**

[54] **COMPUTER**

[75] Inventors: **Yuka Fukagawa; Masaharu Sawatani; Shimon Okada; Nobuaki Iwabuchi; Kouji Kurihara**, all of Kamakura, Japan

[73] Assignee: **Mitsubishi Denki Kabushiki Kaisha**, Tokyo, Japan

[\*\*] Term: **14 Years**

[21] Appl. No.: **819,511**

[22] Filed: **Jan. 13, 1992**

[30] **Foreign Application Priority Data**

Jul. 19, 1991 [JP] Japan ..... 3-21597

[52] U.S. Cl. .... **D14/106**

[58] Field of Search ..... D14/100, 106; D18/1, D18/7, 11, 12; 235/145 A, 145 R; 340/700, 706; 341/22, 23; 364/708, 709.04; 361/390, 394

[56] **References Cited**

**U.S. PATENT DOCUMENTS**

- D. 293,677 1/1988 Hara et al. .... D14/106
- D. 293,678 1/1988 Sawatani et al. .... D14/106
- D. 294,831 3/1988 Hara et al. .... D14/106
- D. 303,523 9/1989 Shiozawa et al. .... D14/106
- D. 310,517 9/1990 Hara et al. .... D14/106
- D. 313,978 1/1991 Miyakuni ..... D14/106
- D. 313,979 1/1991 Miyakuni ..... D14/106

- D. 320,008 9/1991 Choi ..... D14/106
- D. 329,045 9/1992 Kobayashi ..... D14/106
- D. 330,016 10/1992 Mizusugi et al. .... D14/106

**OTHER PUBLICATIONS**

Trade Winners Computers, May 8, 1991 No. 212.

*Primary Examiner*—Wallace R. Burke  
*Assistant Examiner*—Freda S. Nunn  
*Attorney, Agent, or Firm*—Wolf, Greenfield & Sacks

[57] **CLAIM**

The ornamental design for a computer, as shown and described.

**DESCRIPTION**

FIG. 1 is a perspective view of a computer showing our new design;  
 FIG. 2 is a front view thereof;  
 FIG. 3 is a top plan view thereof;  
 FIG. 4 is a bottom plan view thereof;  
 FIG. 5 is a rear view thereof;  
 FIG. 6 is a left side view thereof;  
 FIG. 7 is a right side view thereof;  
 FIG. 8 is a front view thereof showing the computer with its cover closed;  
 FIG. 9 is a top plan view thereof;  
 FIG. 10 is a right side view thereof; and,  
 FIG. 11 is an enlarged cross sectional view thereof taken along line 11—11 of FIG. 2 showing the inner structure omitted.

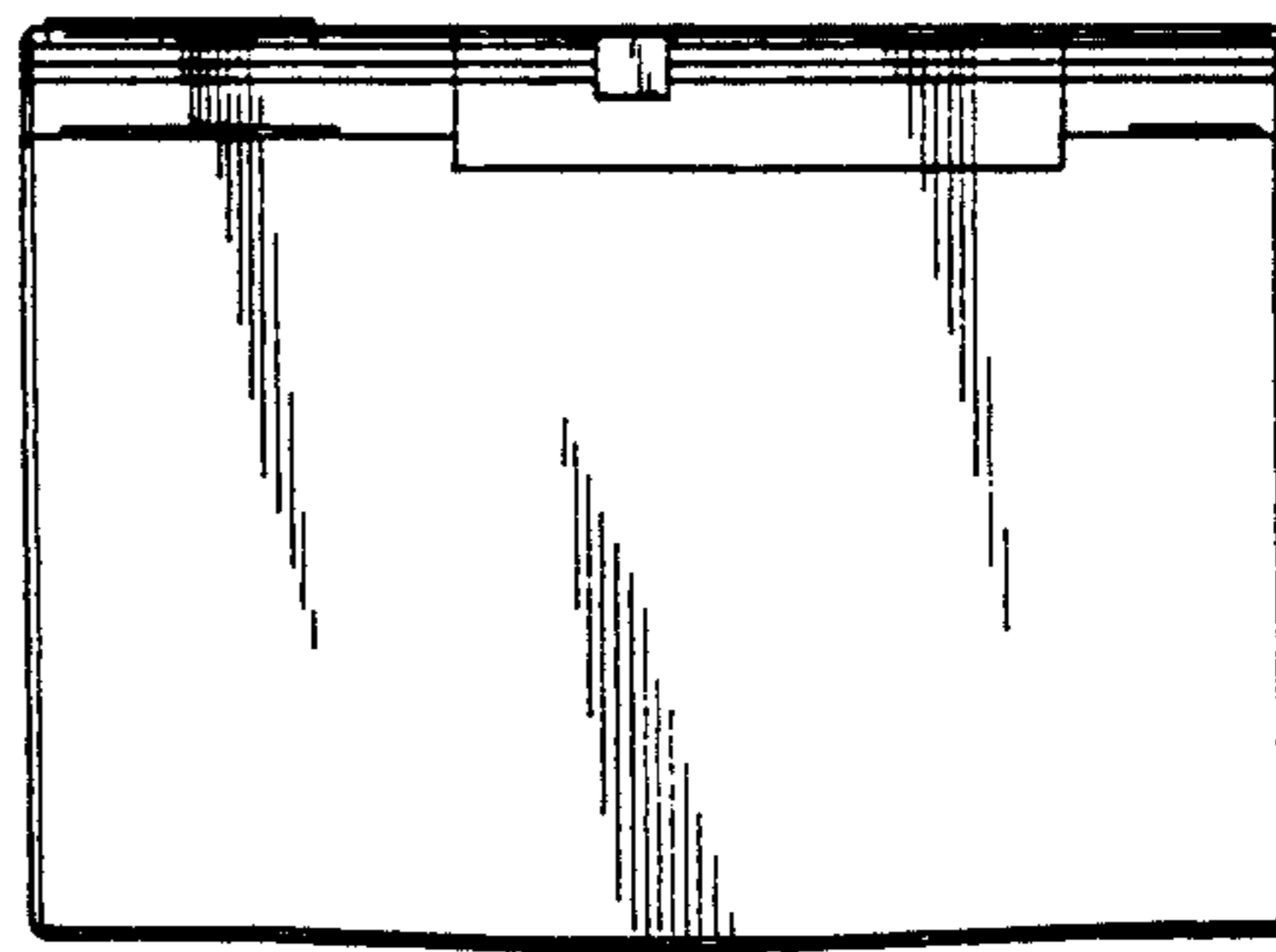
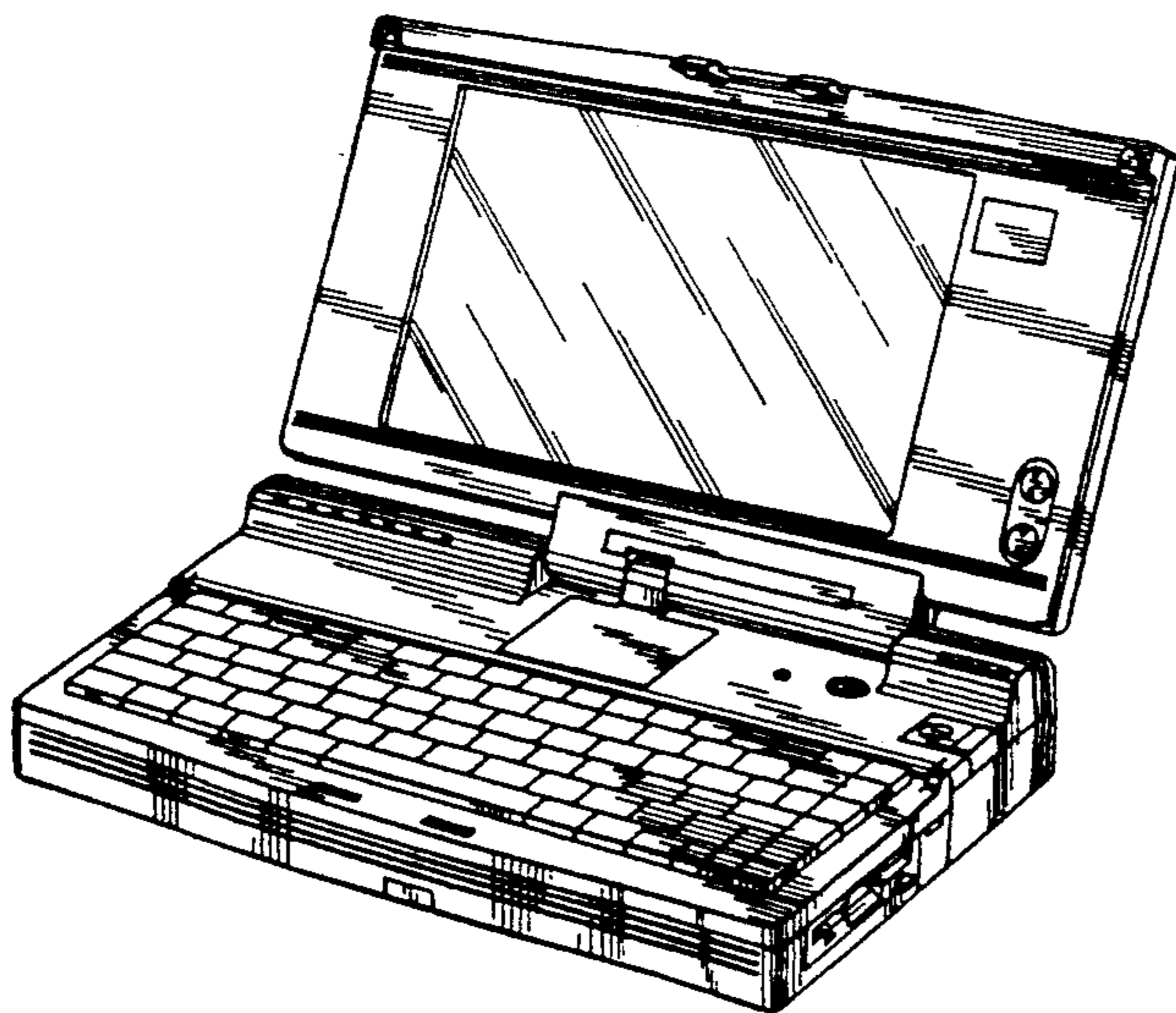


FIG. 1

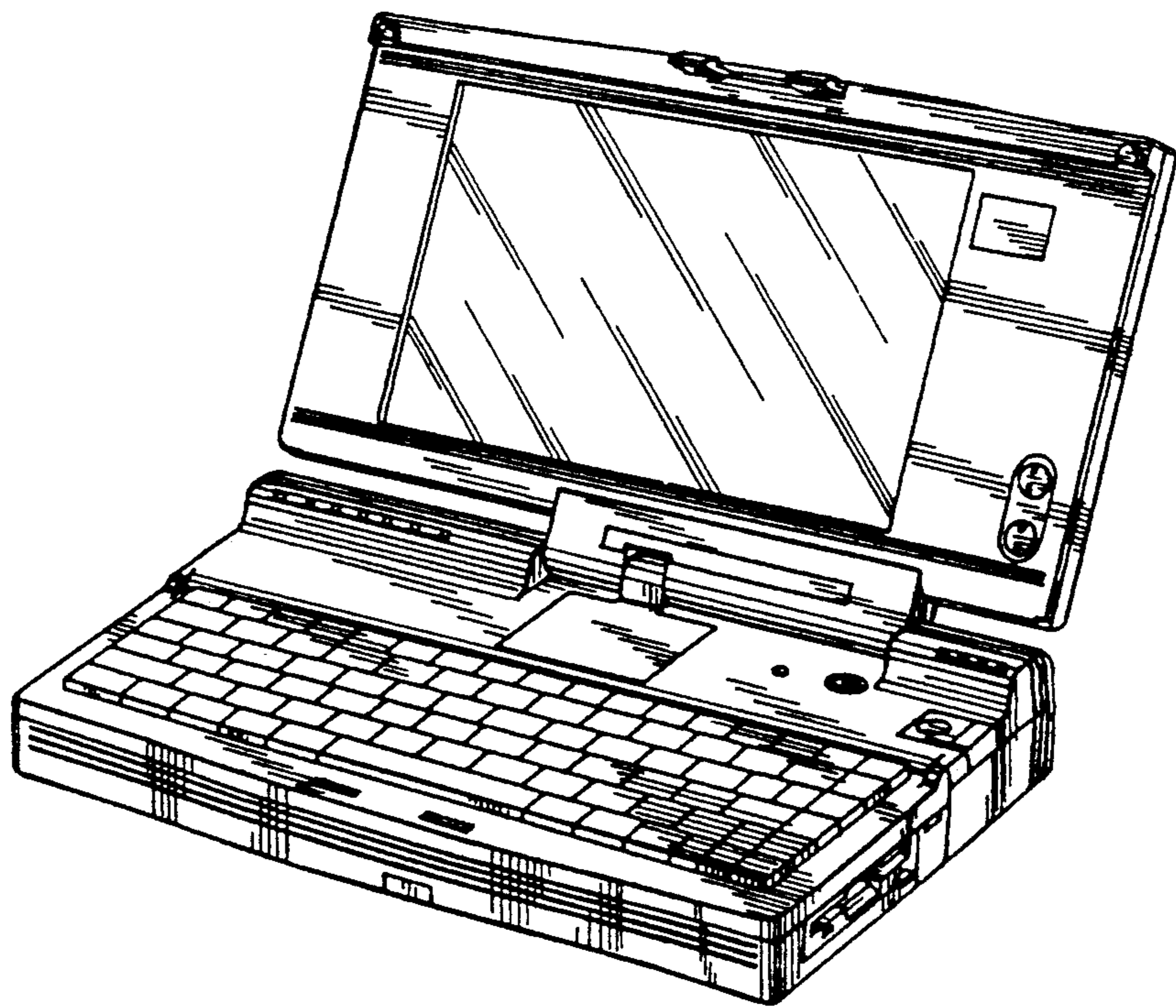


FIG. 2

11 ←

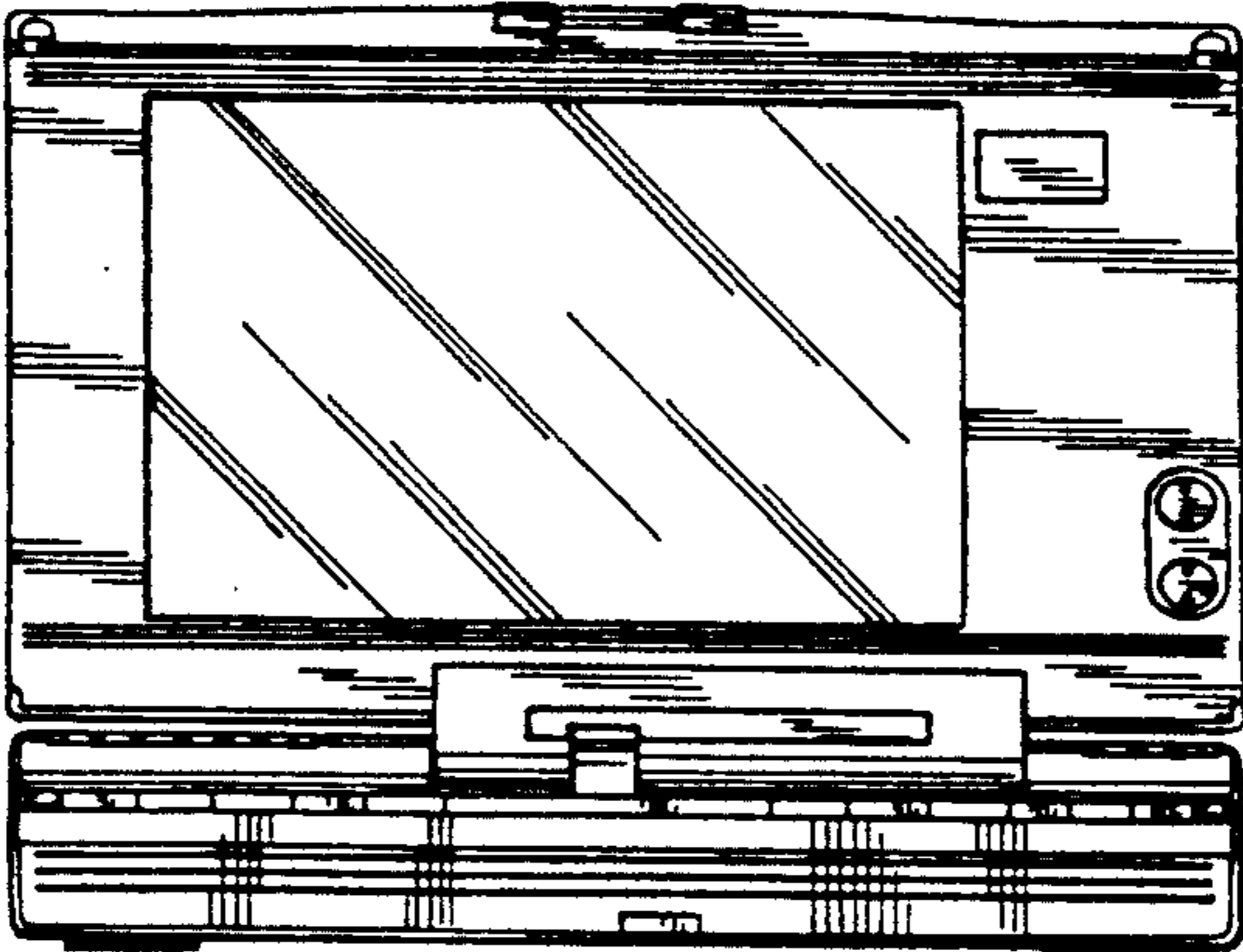


FIG. 3

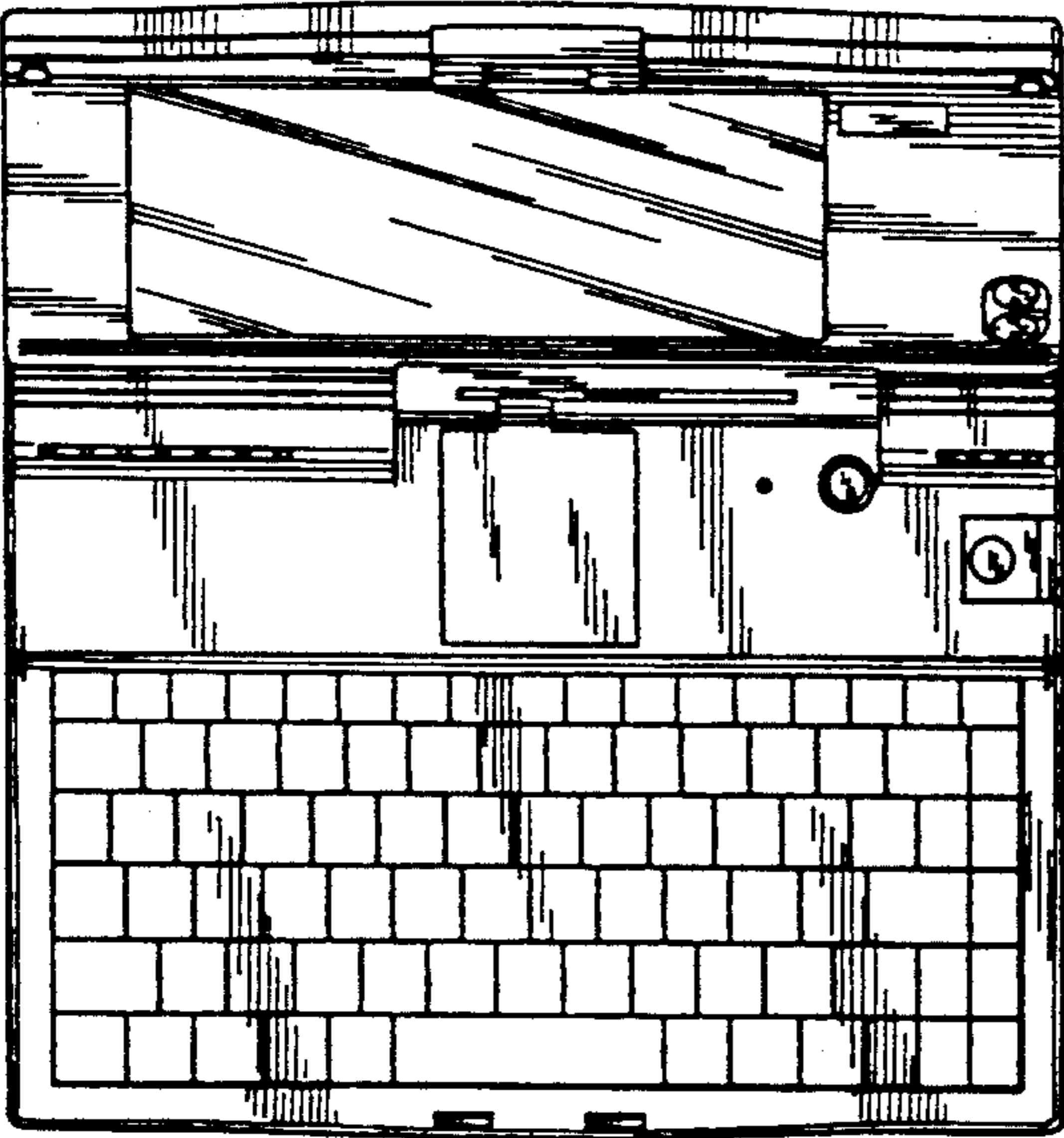


FIG. 4

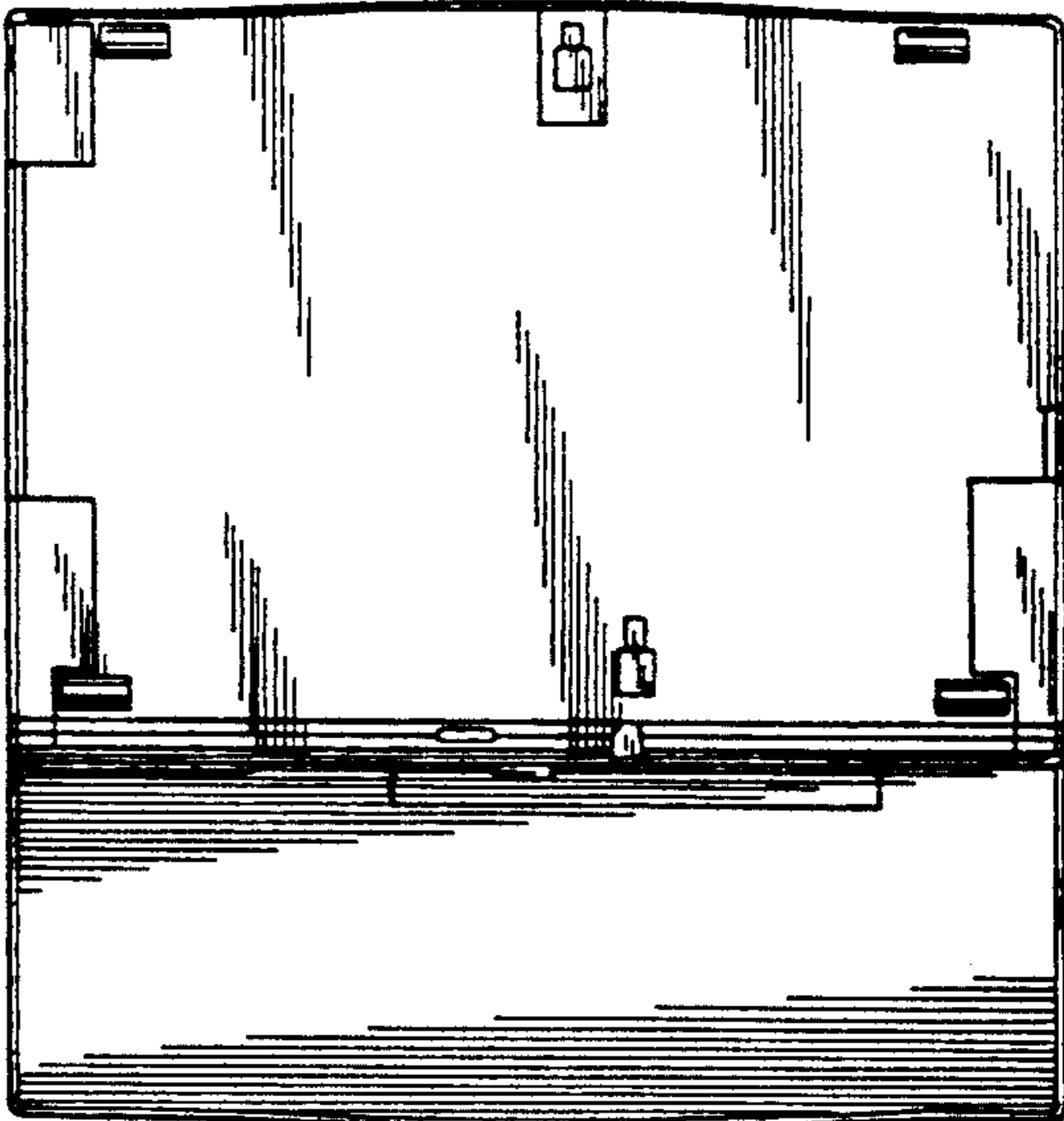


FIG. 5

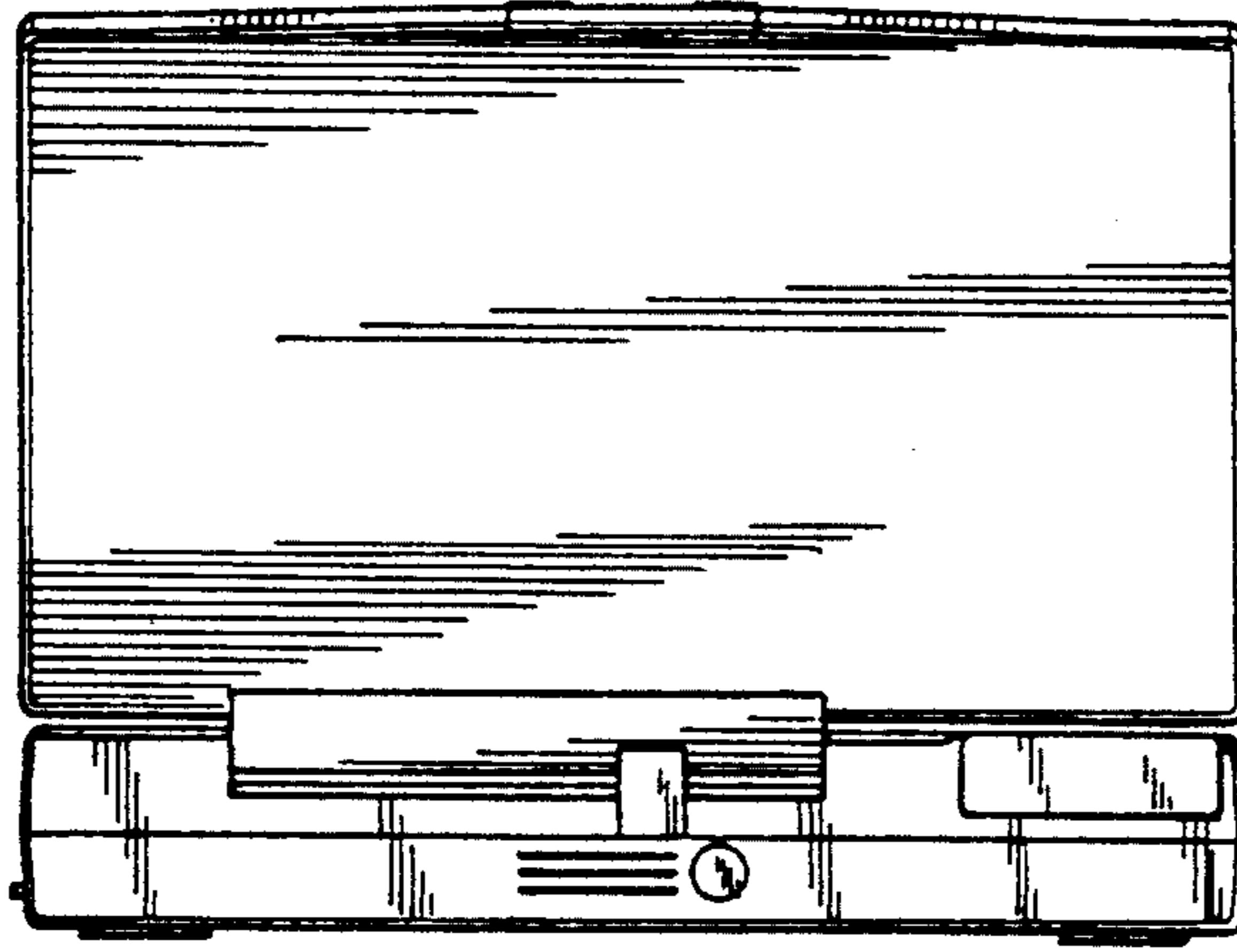


FIG. 6

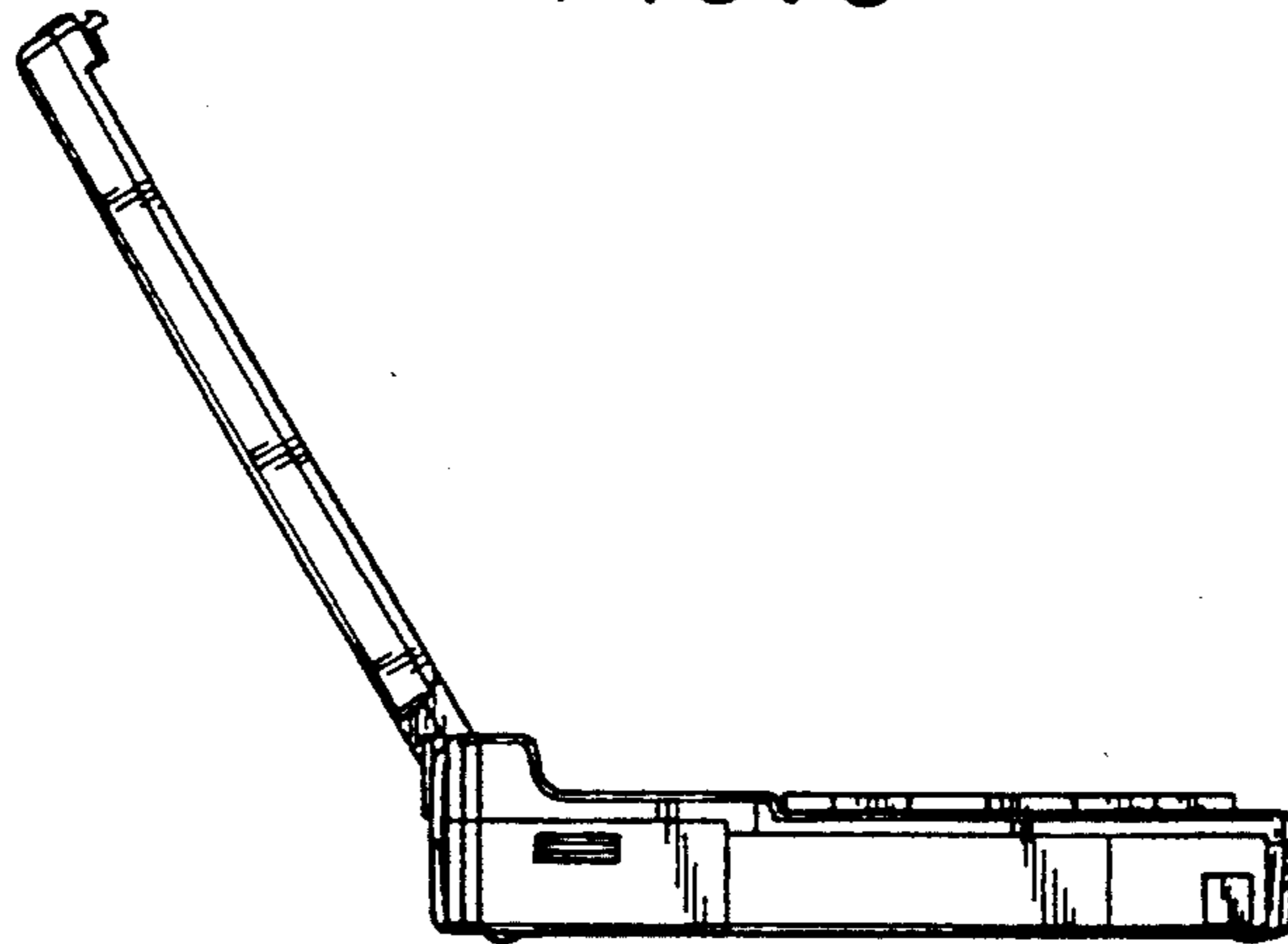


FIG. 7

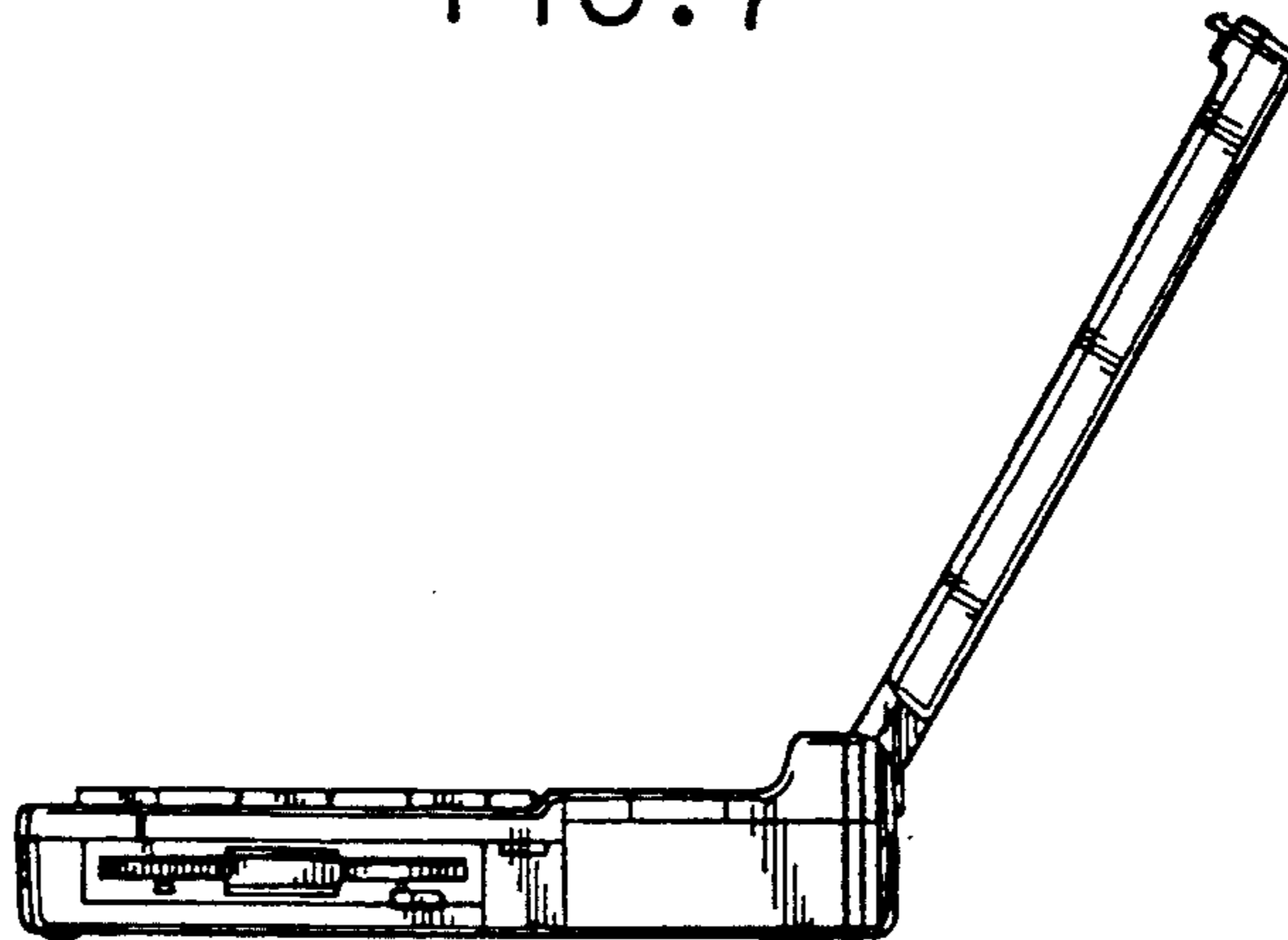


FIG. 8

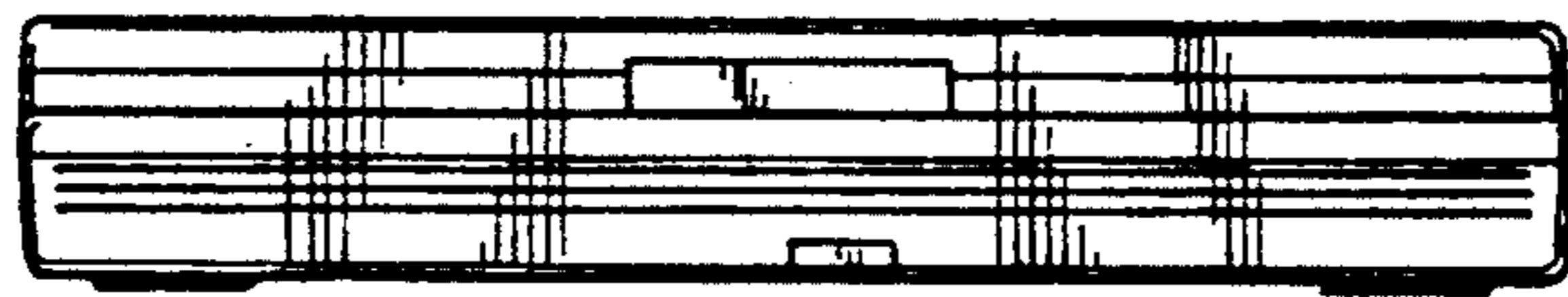


FIG. 9

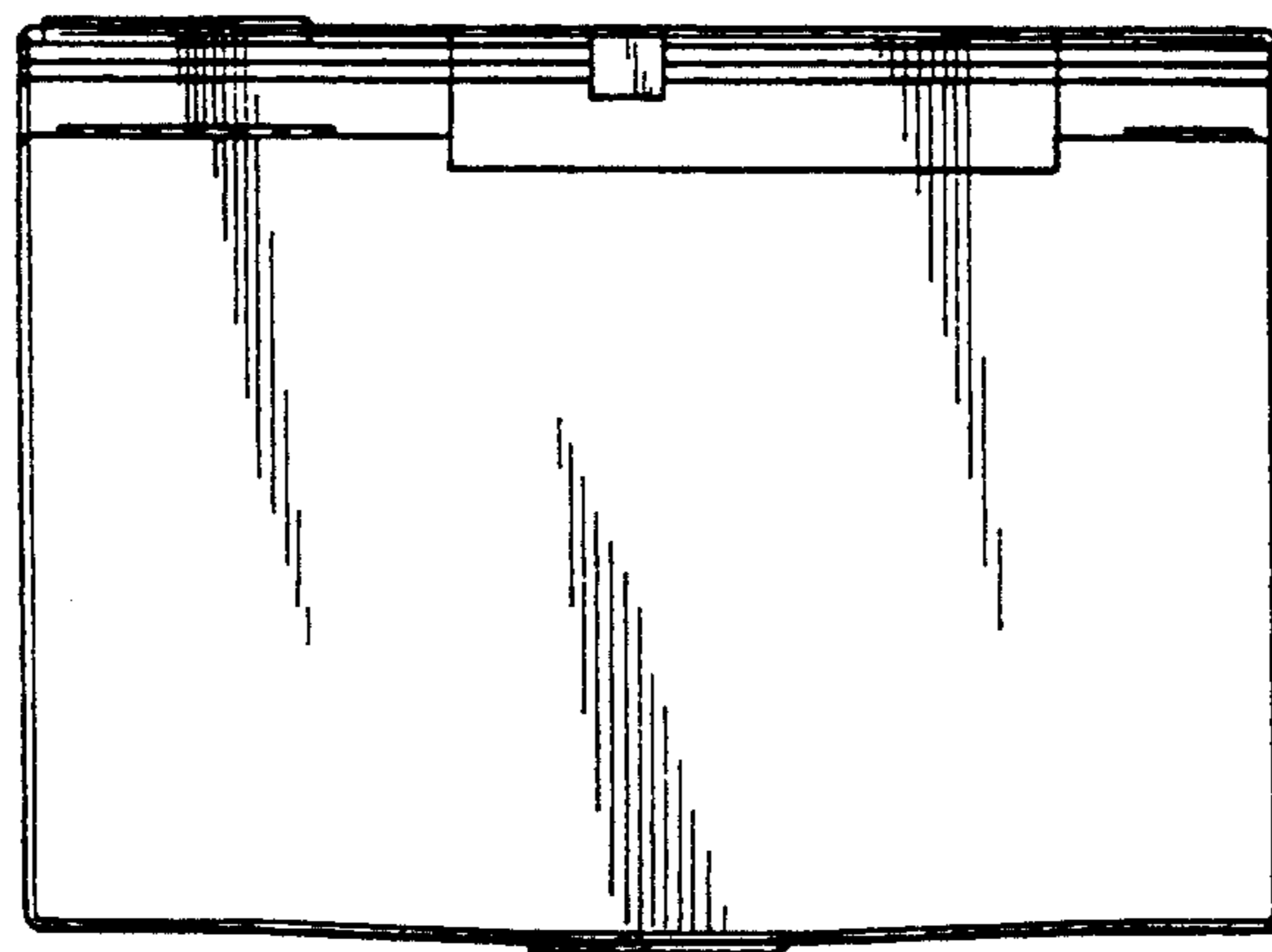


FIG. 10

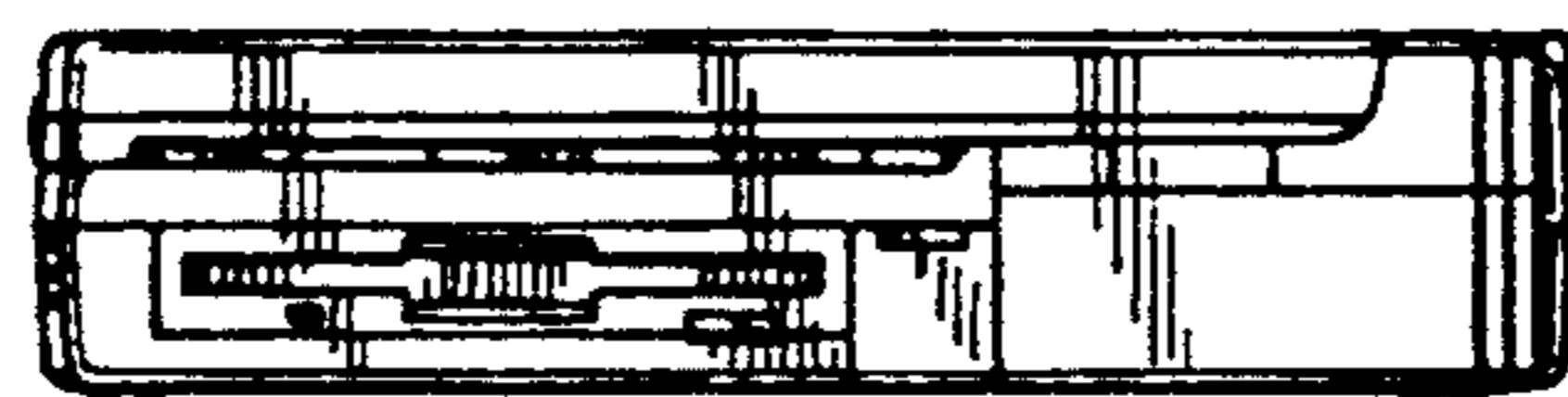


FIG. 11

