



US00D340438S

United States Patent [19]

[11] Patent Number: **Des. 340,438**

Sheeler

[45] Date of Patent: **** Oct. 19, 1993**

[54] WHEEL FOR A PNEUMATIC TIRE

[75] Inventor: **Joseph W. Sheeler, Mechanicsburg, Pa.**

[73] Assignee: **Carlisle Tire & Rubber Company, Carlisle, Pa.**

[**] Term: **14 Years**

[21] Appl. No.: **938,653**

[22] Filed: **Sep. 3, 1992**

[52] U.S. Cl. **D12/209**

[58] Field of Search **D12/209, 210; 301/63.1, 301/64.1, 64.7, 65, 37.1**

[56] **References Cited**

U.S. PATENT DOCUMENTS

D. 31,683 10/1899 Phillips **D12/210**

OTHER PUBLICATIONS

1990 Tread Design Guide, p. 90, Western Wheel Corp. Magnum Wheel, bottom right side of page.

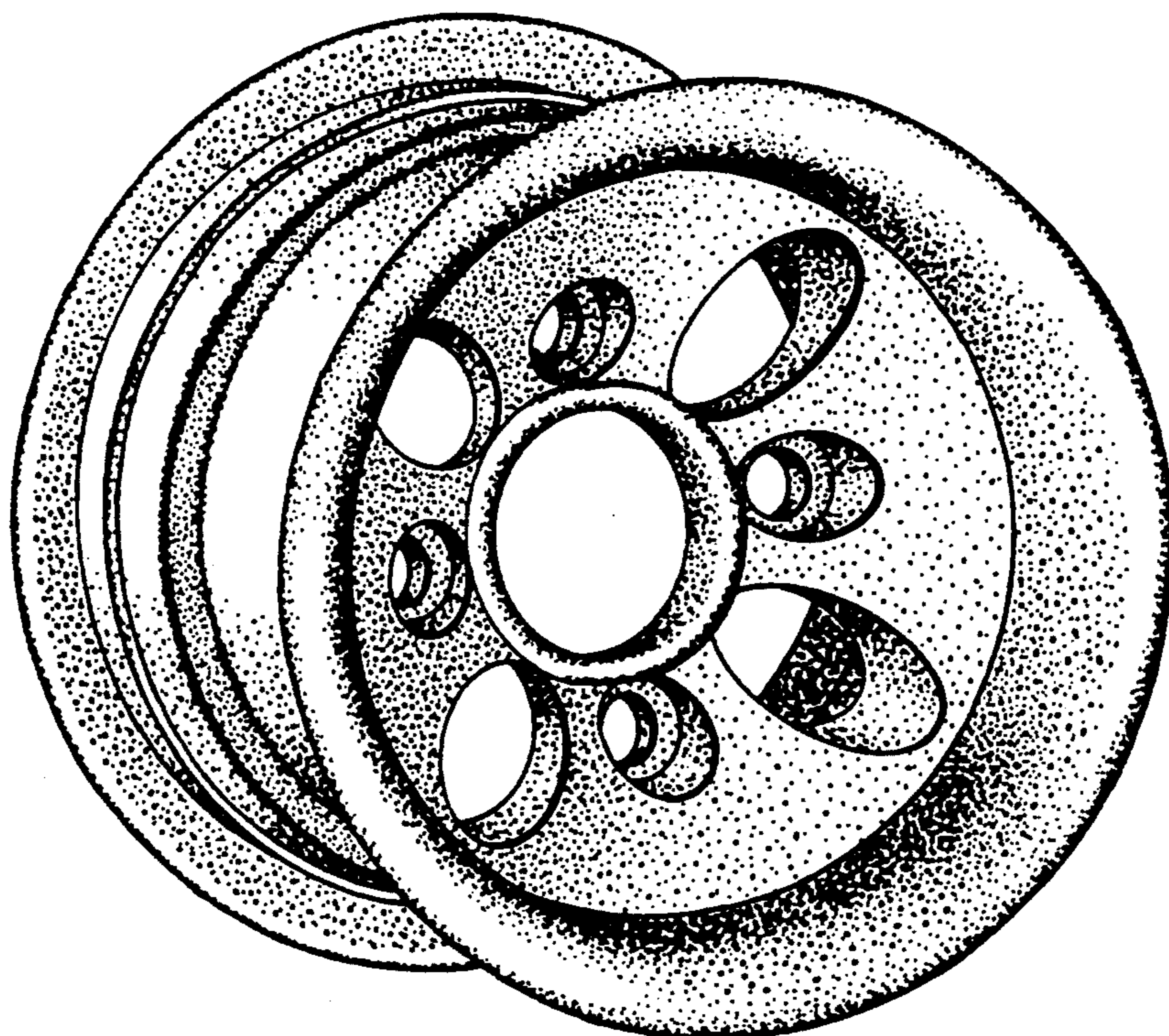
Primary Examiner—James M. Gandy
Attorney, Agent, or Firm—Wood, Herron & Evans

[57] **CLAIM**

The ornamental design for a wheel for a pneumatic tire, as shown and described.

DESCRIPTION

FIG. 1 is a perspective view of a wheel for a pneumatic tire;
FIG. 2 is a front elevational view thereof;
FIG. 3 is a side elevational view thereof, the other sides being identical;
FIG. 4 is a rear elevational view thereof;
FIG. 5 is a cross-sectional view taken on line 5—5 of FIG. 2; and,
FIG. 6 is a cross-sectional view taken on line 6—6 on FIG. 2.



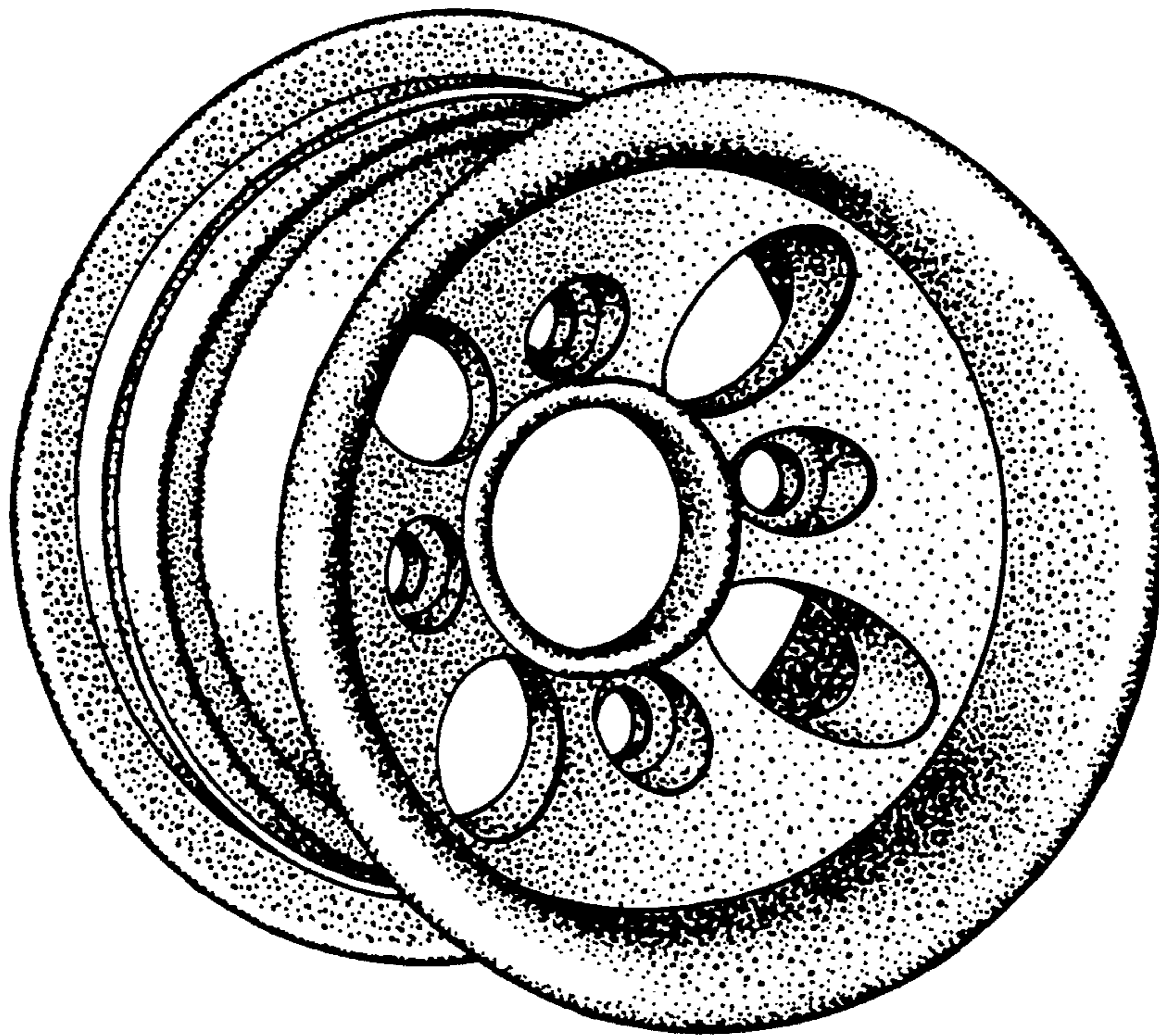


FIG. 1

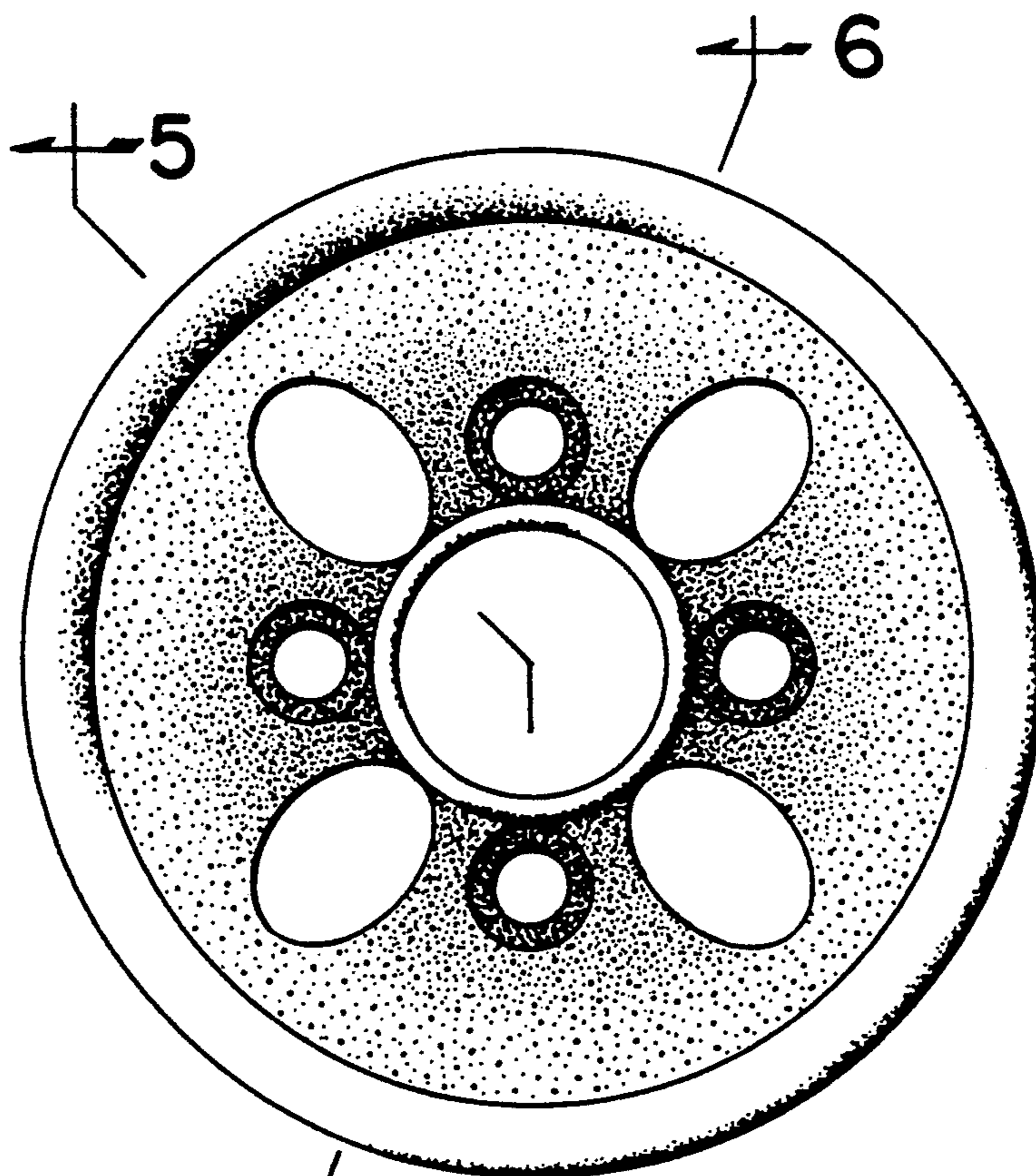


FIG. 2

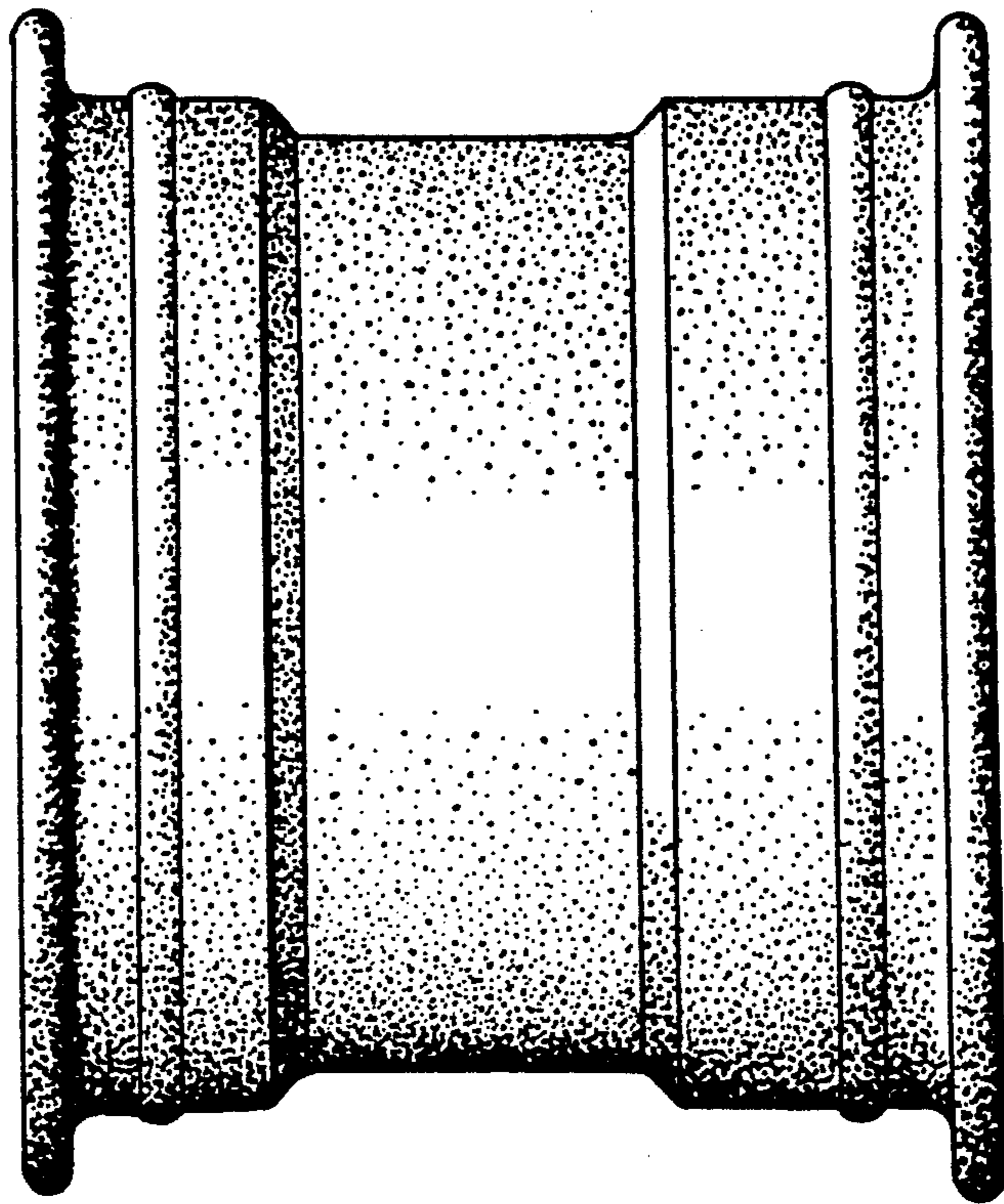


FIG. 3

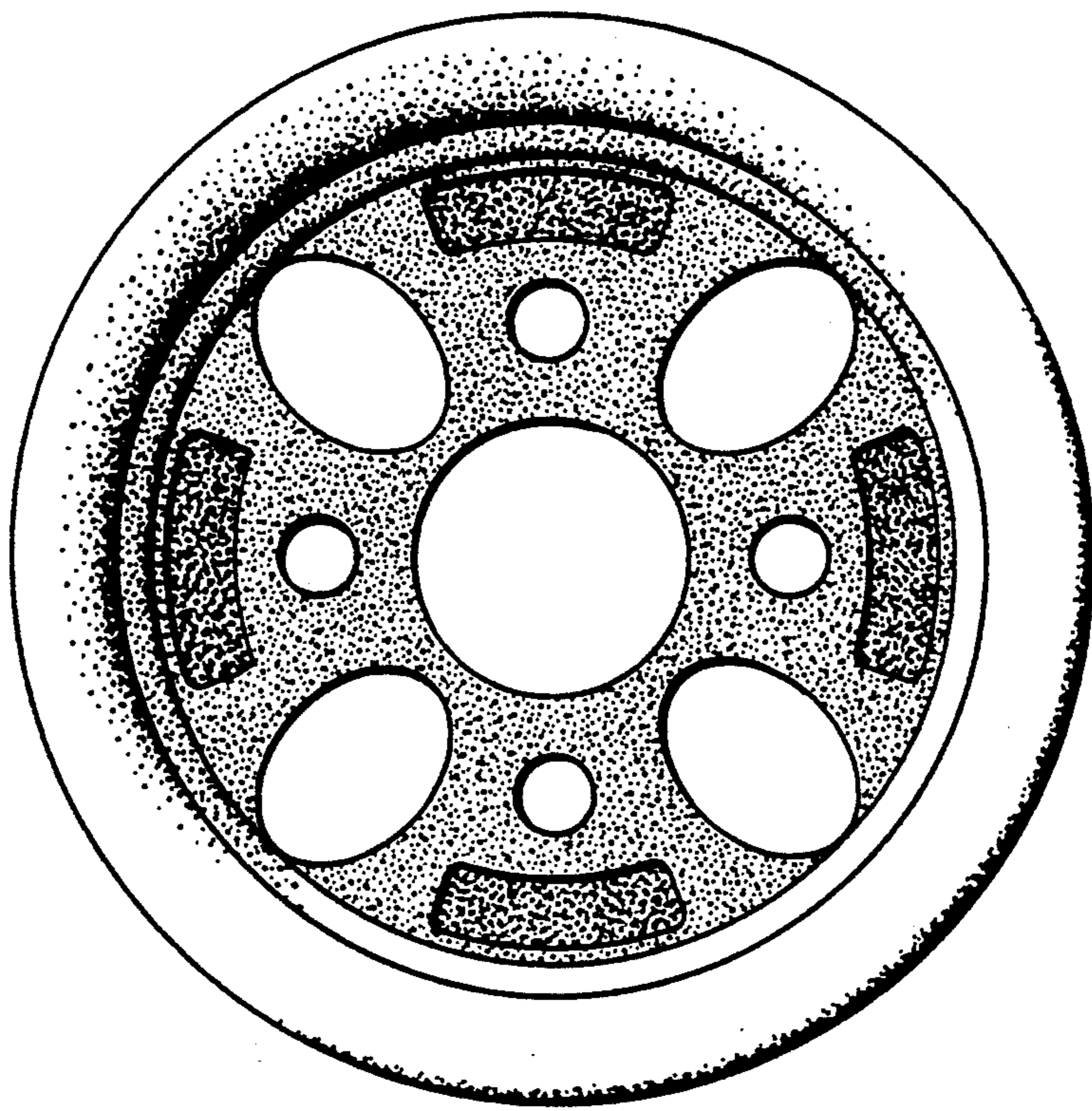


FIG. 4

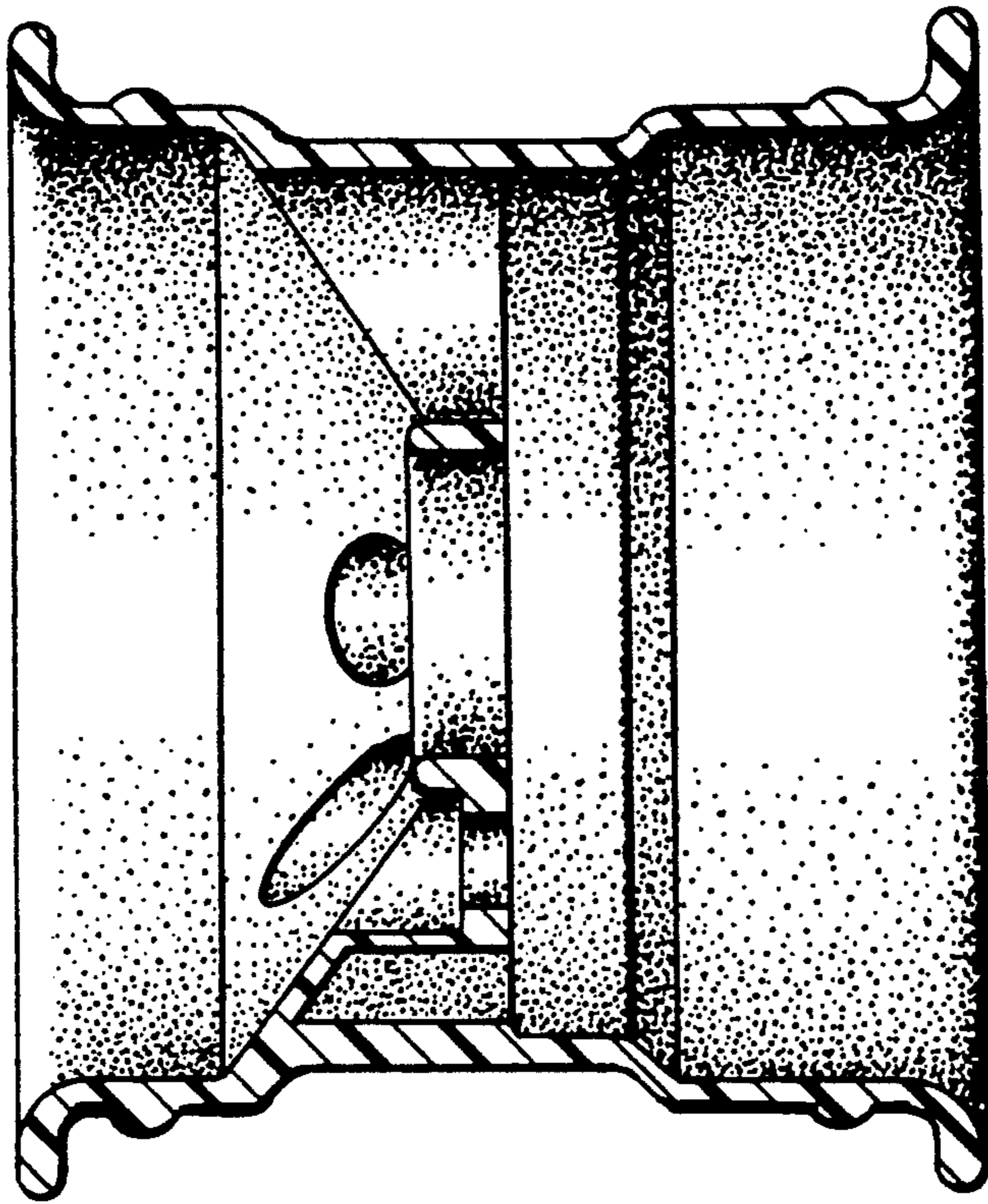


FIG. 5

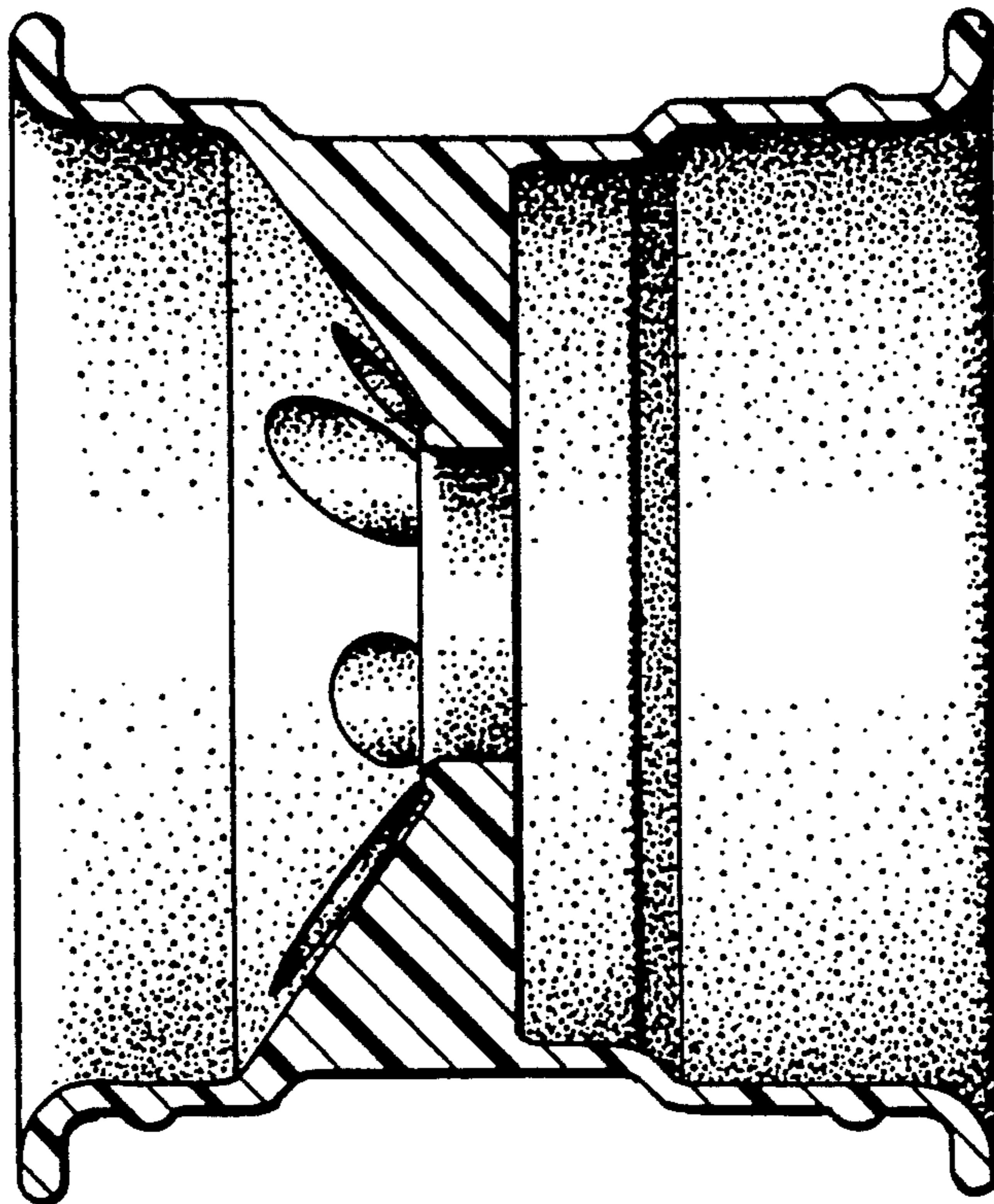


FIG. 6