



US00D340430S

United States Patent [19]

[11] Patent Number: **Des. 340,430**

Krah

[45] Date of Patent: **** Oct. 19, 1993**

[54] TRAILER

3,574,388 4/1971 Stone 296/168

[75] Inventor: **Donald W. Krah, Bristol, Ind.**

Primary Examiner—Wallace R. Burke

[73] Assignee: **Shadow Cruiser, Inc., Bristol, Ind.**

Assistant Examiner—Melody Brown

[**] Term: **14 Years**

Attorney, Agent, or Firm—James D. Hall; Thomas J. Dodd

[21] Appl. No.: **747,193**

[57] **CLAIM**

[22] Filed: **Aug. 16, 1991**

The ornamental design for a trailer, as shown and described.

[52] U.S. Cl. **D12/103**

[58] Field of Search **D12/103, 101, 104;**
296/168, 156; 280/423, 424

DESCRIPTION

[56] **References Cited**

U.S. PATENT DOCUMENTS

- D. 231,344 4/1974 Miller et al. D12/103
- D. 314,165 1/1991 Sanders D12/103
- D. 328,728 8/1992 Shea, Sr. D12/103

FIG. 1 is a top side perspective view of a trailer showing my new design;

FIG. 2 is a right elevational view thereof;

FIG. 3 is a front elevational view thereof;

FIG. 4 is a top plan view thereof;

FIG. 5 is a left side elevational view thereof; and,

FIG. 6 is a rear elevational view thereof.

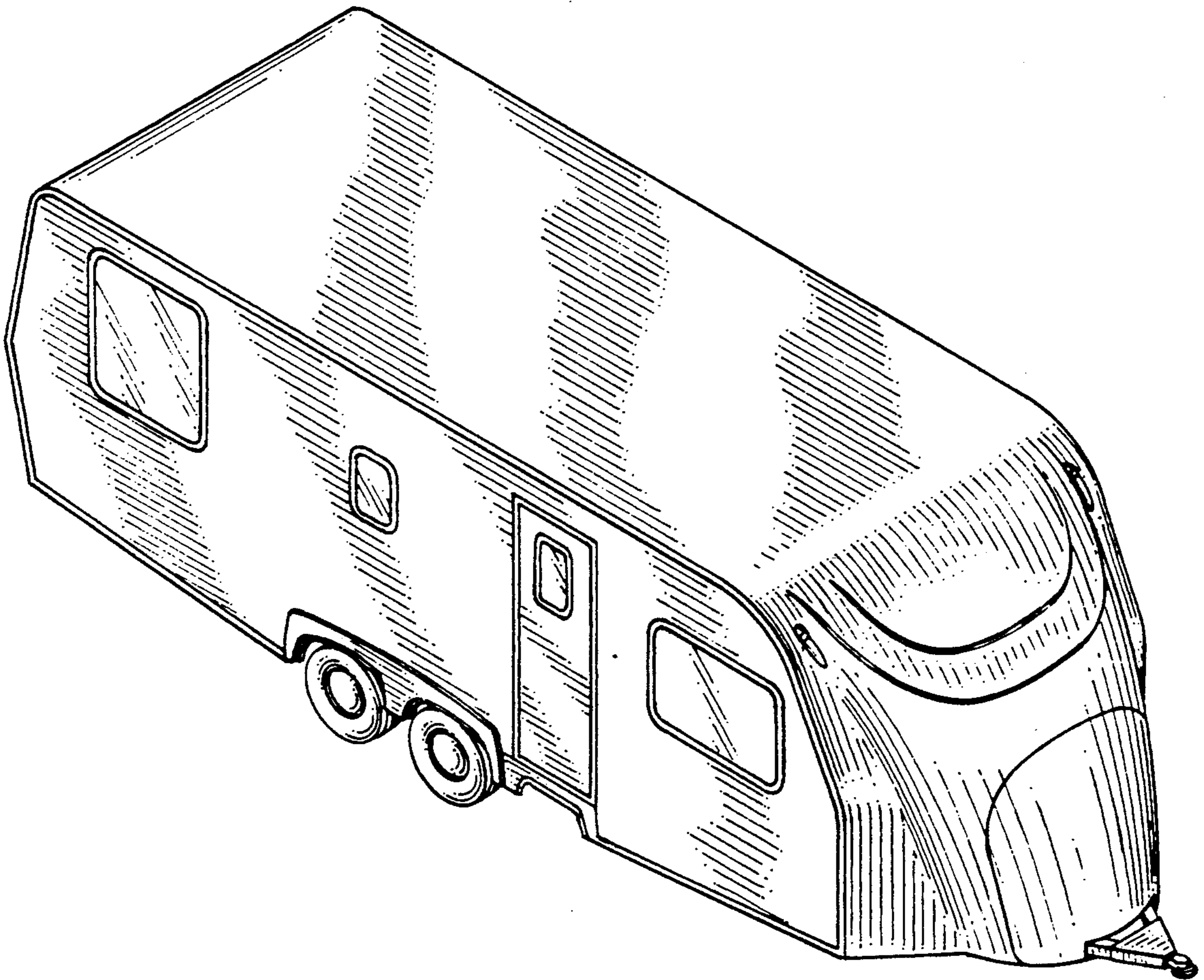


Fig. 1

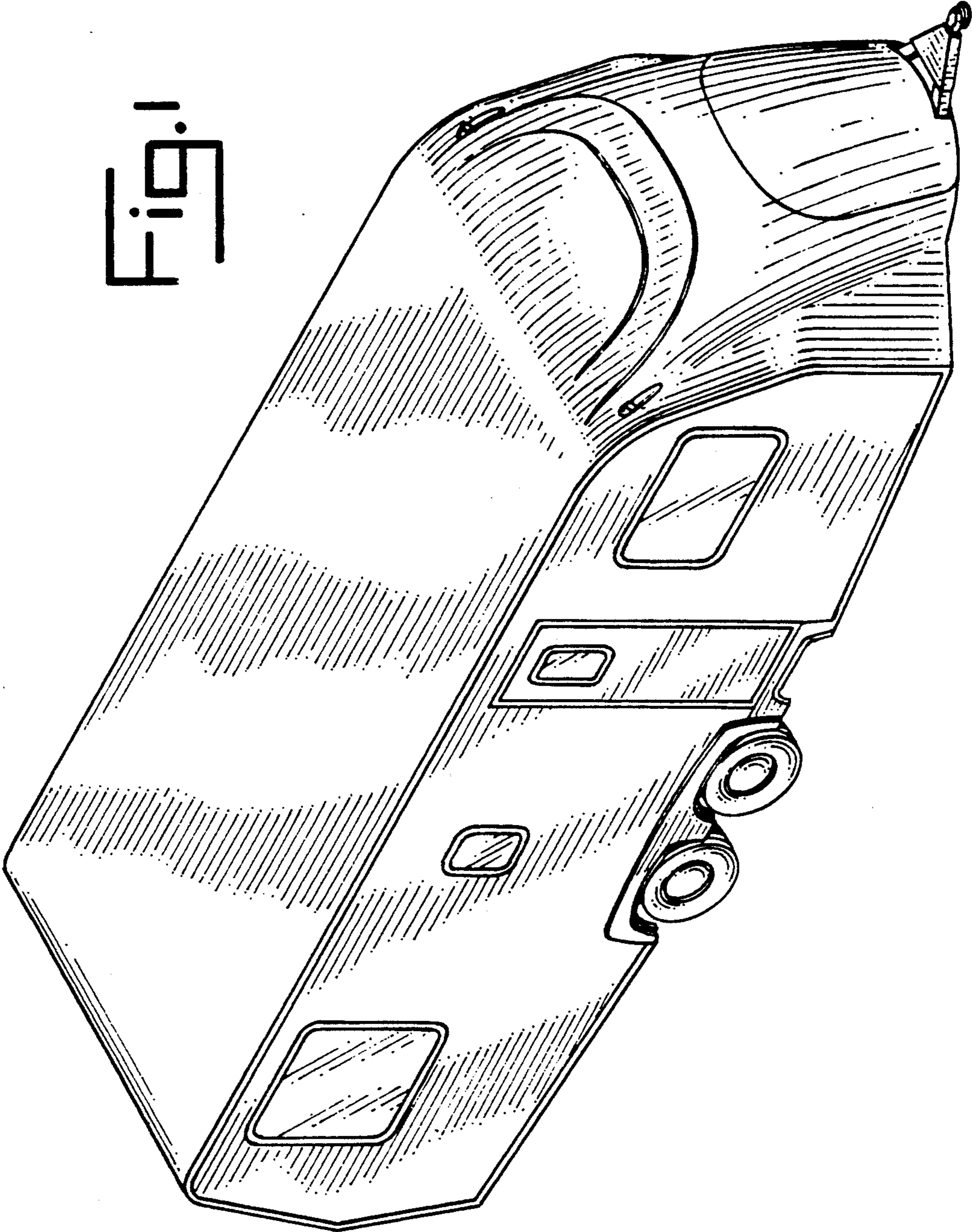


Fig. 3

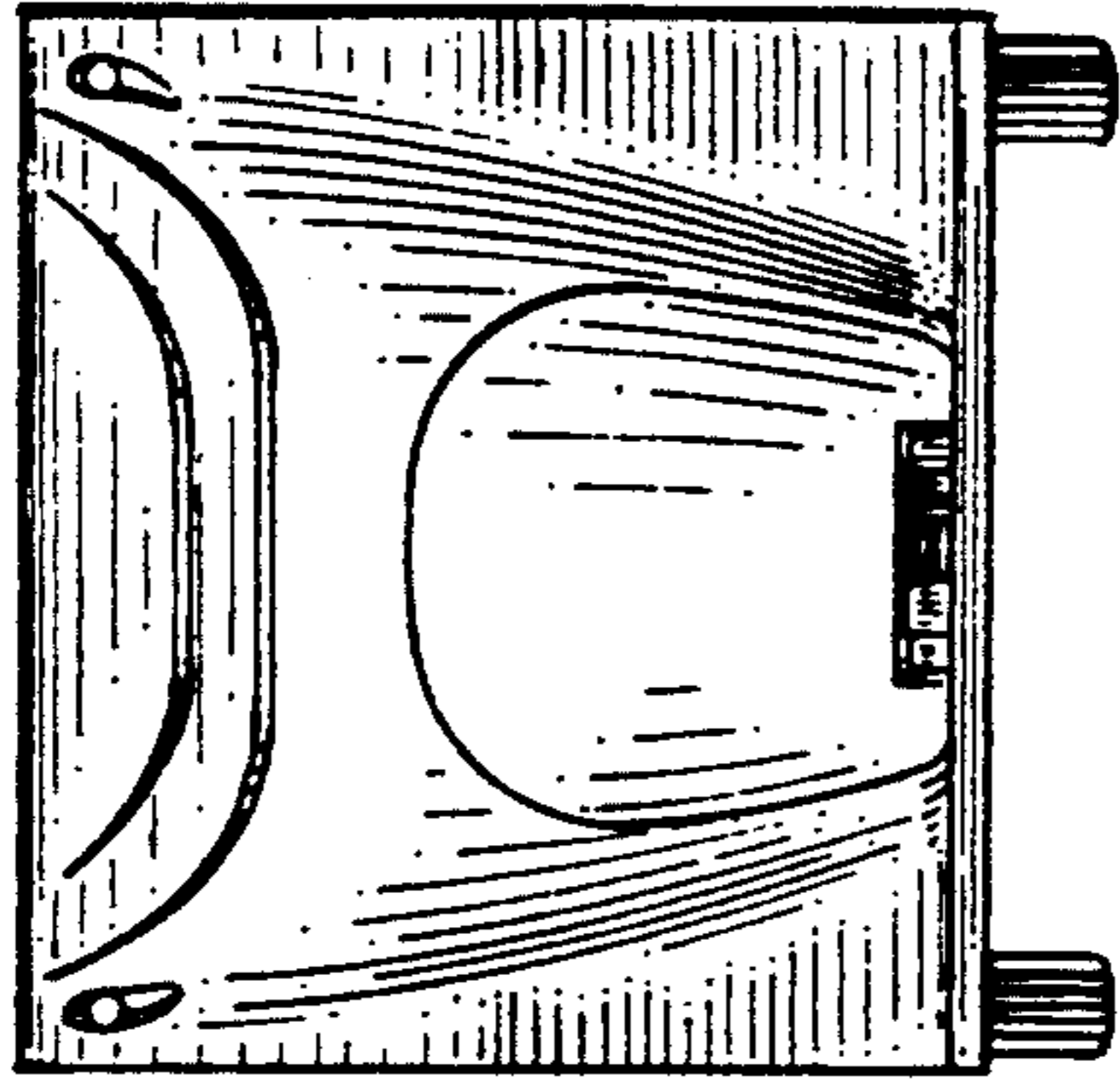


Fig. 2

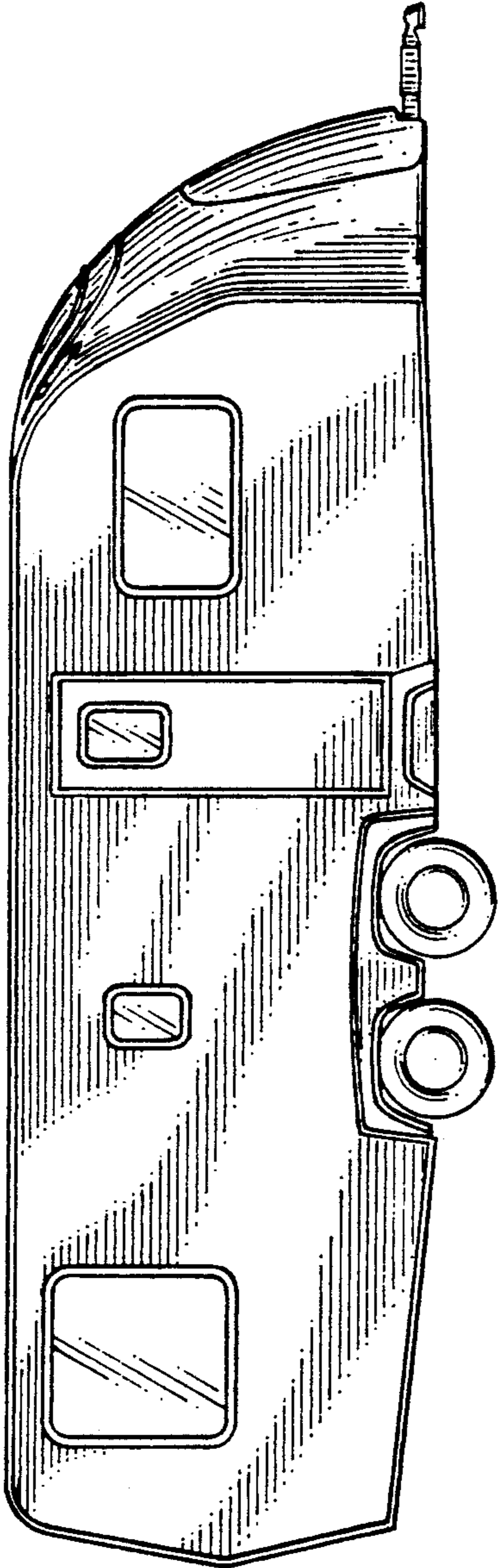


Fig. 4

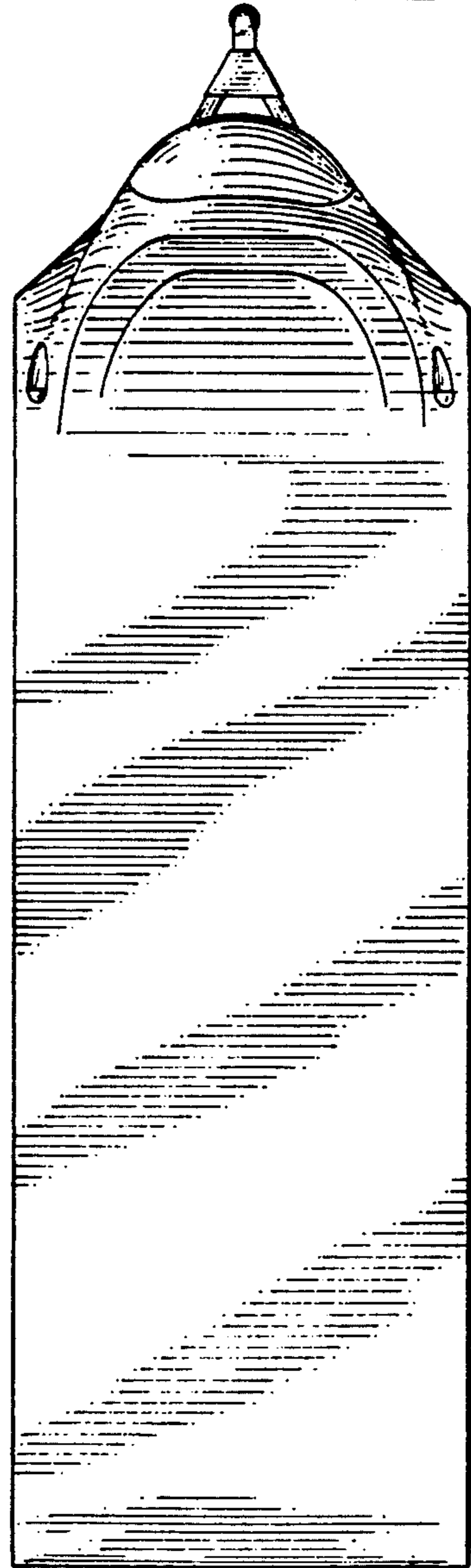


Fig. 6

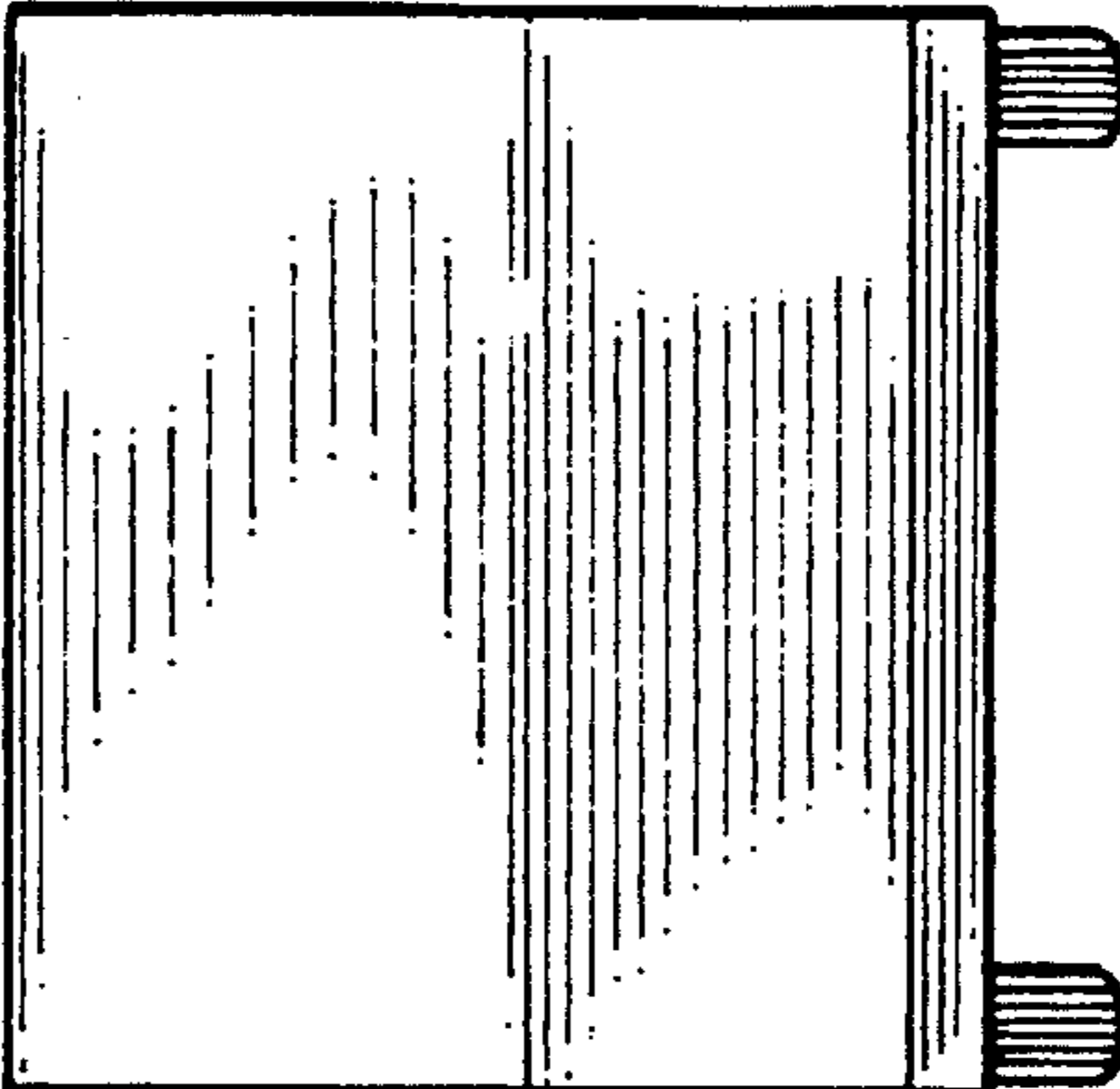


Fig. 5

