



US00D340415S

United States Patent [19]

[11] Patent Number: **Des. 340,415**

Shadday et al.

[45] Date of Patent: **** Oct. 19, 1993**

[54] **BOLT MEASUREMENT DEVICE**

3,071,171 1/1963 Guerrero 33/563 X
4,502,232 3/1985 Broders 33/562 X

[76] Inventors: **David Shadday; Joel Shadday**, both of
1316 N. Osage Dr., Tulsa, Okla.
74103

Primary Examiner—Alan P. Douglas
Assistant Examiner—Antoine D. Davis
Attorney, Agent, or Firm—Head & Johnson

[**] Term: **14 Years**

[57] **CLAIM**

[21] Appl. No.: **912,602**

The ornamental design for a bolt measurement device,
as shown and described.

[22] Filed: **Jul. 13, 1992**

DESCRIPTION

[52] U.S. Cl. **D10/71; D10/64**

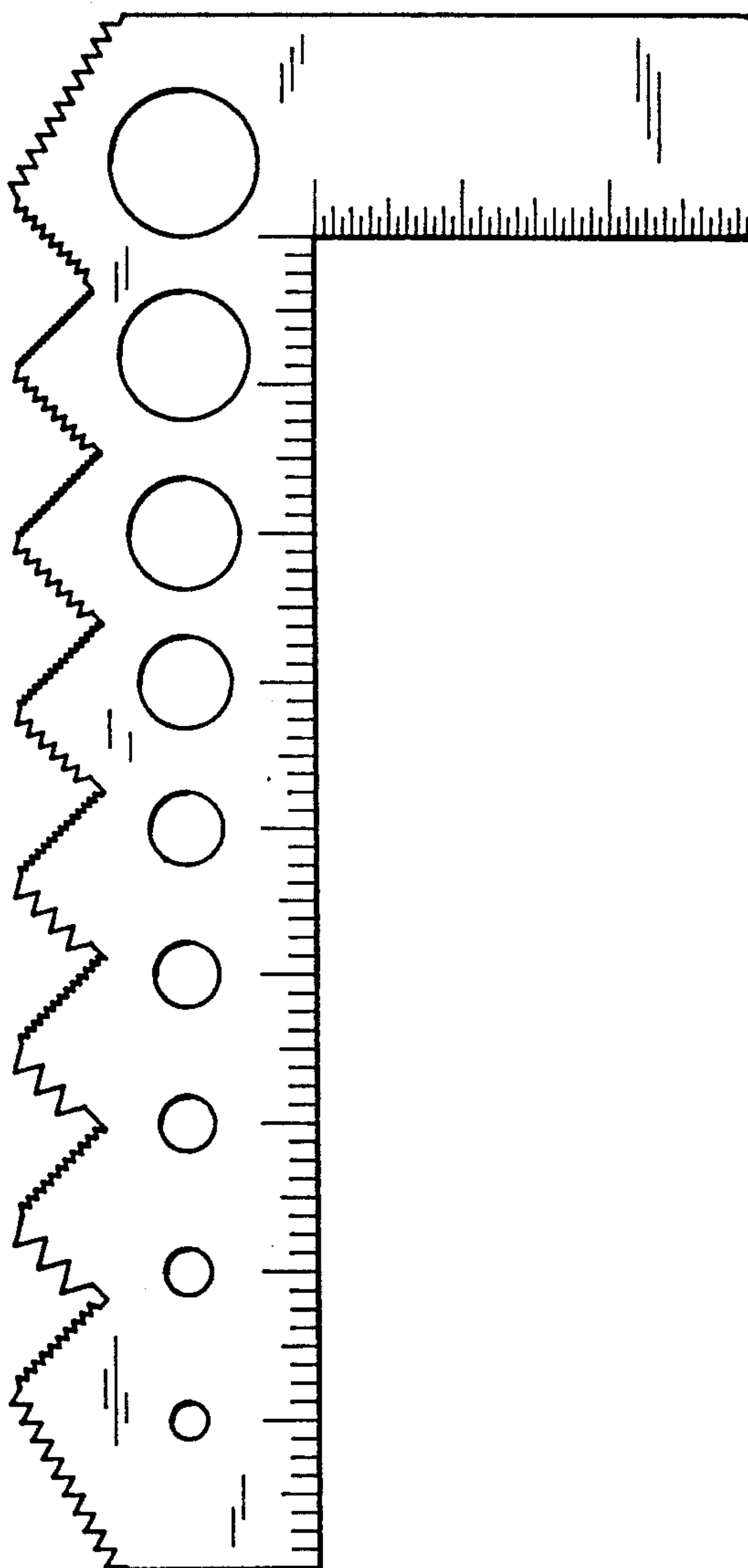
[58] Field of Search **D10/62, 64, 65, 71;**
D19/35, 36, 37; 38/484-493, 562, 563

FIG. 1 is a left side elevational view of a bolt measurement device showing our new design;
FIG. 2 is a right side elevational view thereof;
FIG. 3 is a rear view thereof;
FIG. 4 is a front view thereof;
FIG. 5 is a top elevational view thereof; and,
FIG. 6 is a bottom elevational view thereof.

[56] **References Cited**

U.S. PATENT DOCUMENTS

1,415,615 5/1922 Stock D10/64 X
1,945,987 2/1934 Ware D10/65 X



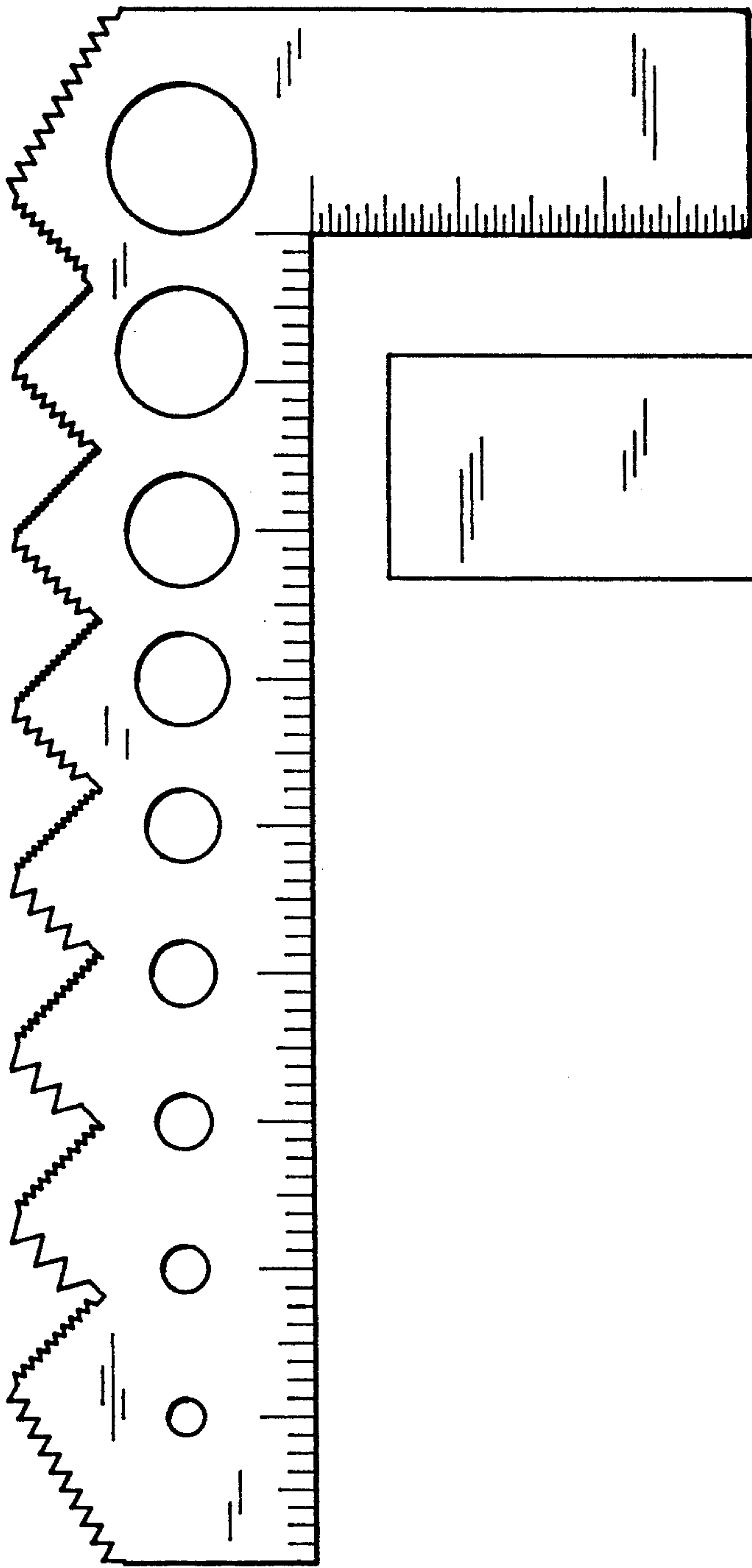


Fig. 1

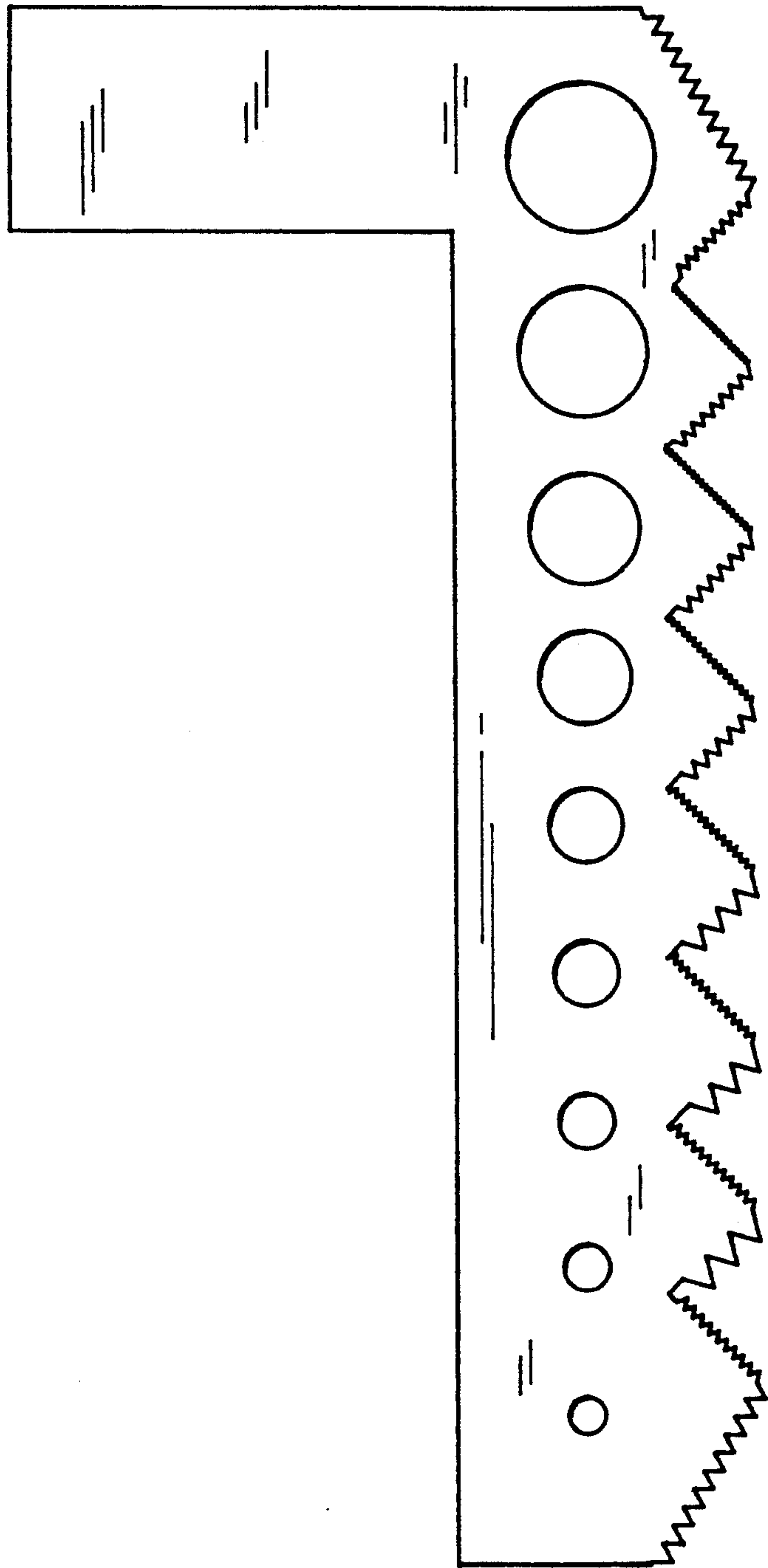


Fig. 2



Fig. 3



Fig. 4



Fig. 5



Fig. 6