



US00D340412S

**United States Patent** [19]  
**Smith**

[11] **Patent Number: Des. 340,412**

[45] **Date of Patent: \*\* Oct. 19, 1993**

[54] **WATER BOTTLE CAP**

[75] **Inventor: Don S. Smith, Mission Viejo, Calif.**

[73] **Assignee: Don S. Smith, Mission Viejo, Calif.**

[\*\*] **Term: 14 Years**

[21] **Appl. No.: 740,016**

[22] **Filed: Aug. 2, 1991**

[52] **U.S. Cl. .... D9/435**

[58] **Field of Search ..... D9/435, 438, 518, 519;  
220/269, 270, 276**

[56] **References Cited**

**U.S. PATENT DOCUMENTS**

D. 325,697	4/1992	Parr	.....	D9/435
D. 330,332	10/1992	Pezzoli et al.	.....	D9/435
3,109,548	11/1963	Wood	.....	D9/438
3,200,985	8/1965	Ashley	.....	D9/438
3,276,613	10/1966	Bozek	.....	D9/438

*Primary Examiner*—Alan P. Douglas

*Assistant Examiner*—Ann S. Hunt

*Attorney, Agent, or Firm*—Knobbe, Martens, Olson & Bear

[57] **CLAIM**

The ornamental design for a water bottle cap, as shown and described.

**DESCRIPTION**

FIG. 1 is a side elevation view of a water bottle cap embodying the design of the present invention;

FIG. 2 is a bottom plan view of the water bottle cap of FIG. 1;

FIG. 3 is a top plan view of the water bottle cap of FIG. 1;

FIG. 4 is a side elevation view of a water bottle cap showing a second embodiment of the design of the present invention;

FIG. 5 is a bottom plan view of the water bottle cap of FIG. 4;

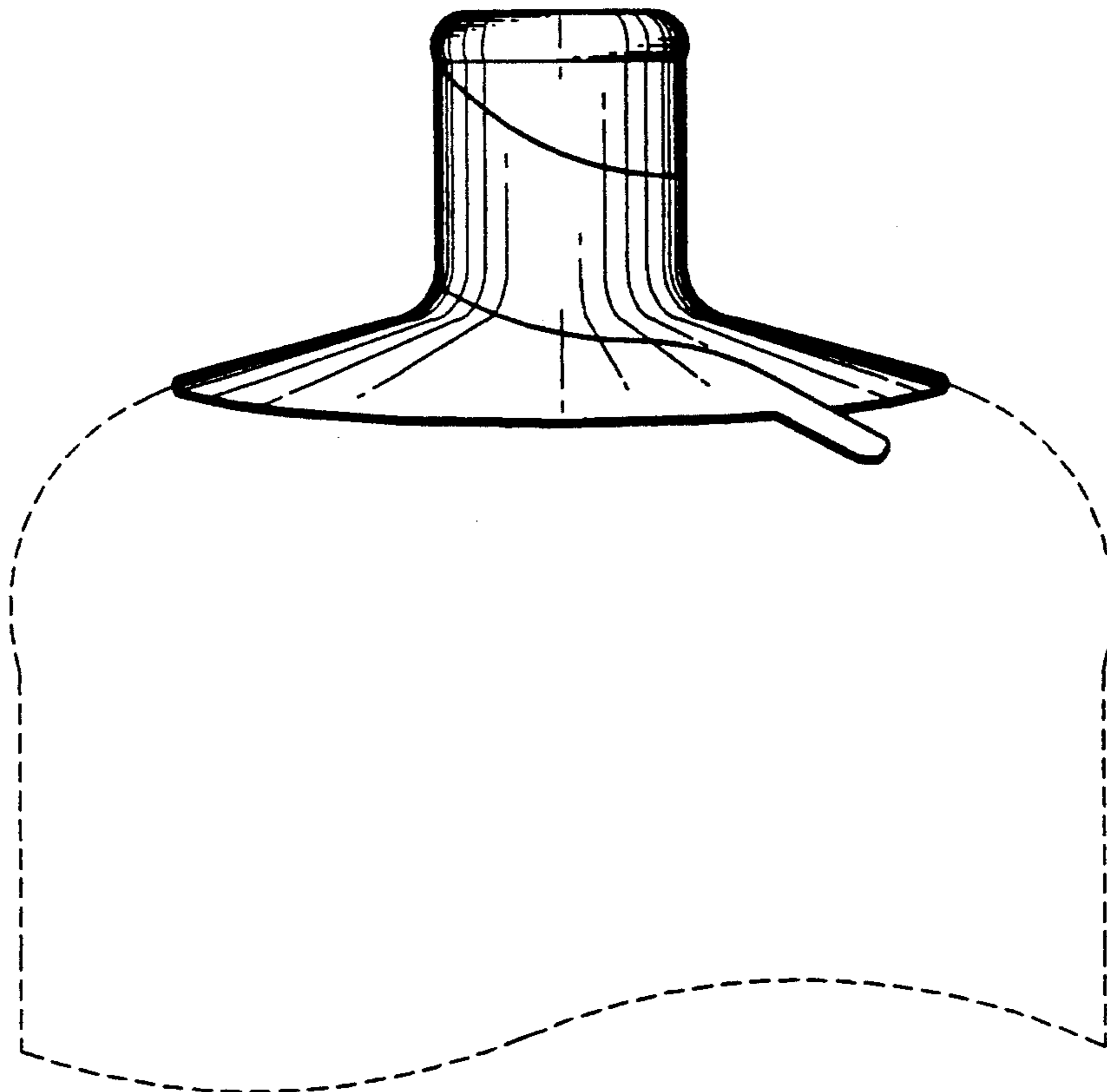
FIG. 6 is a top plan view of the water bottle cap of FIG. 4;

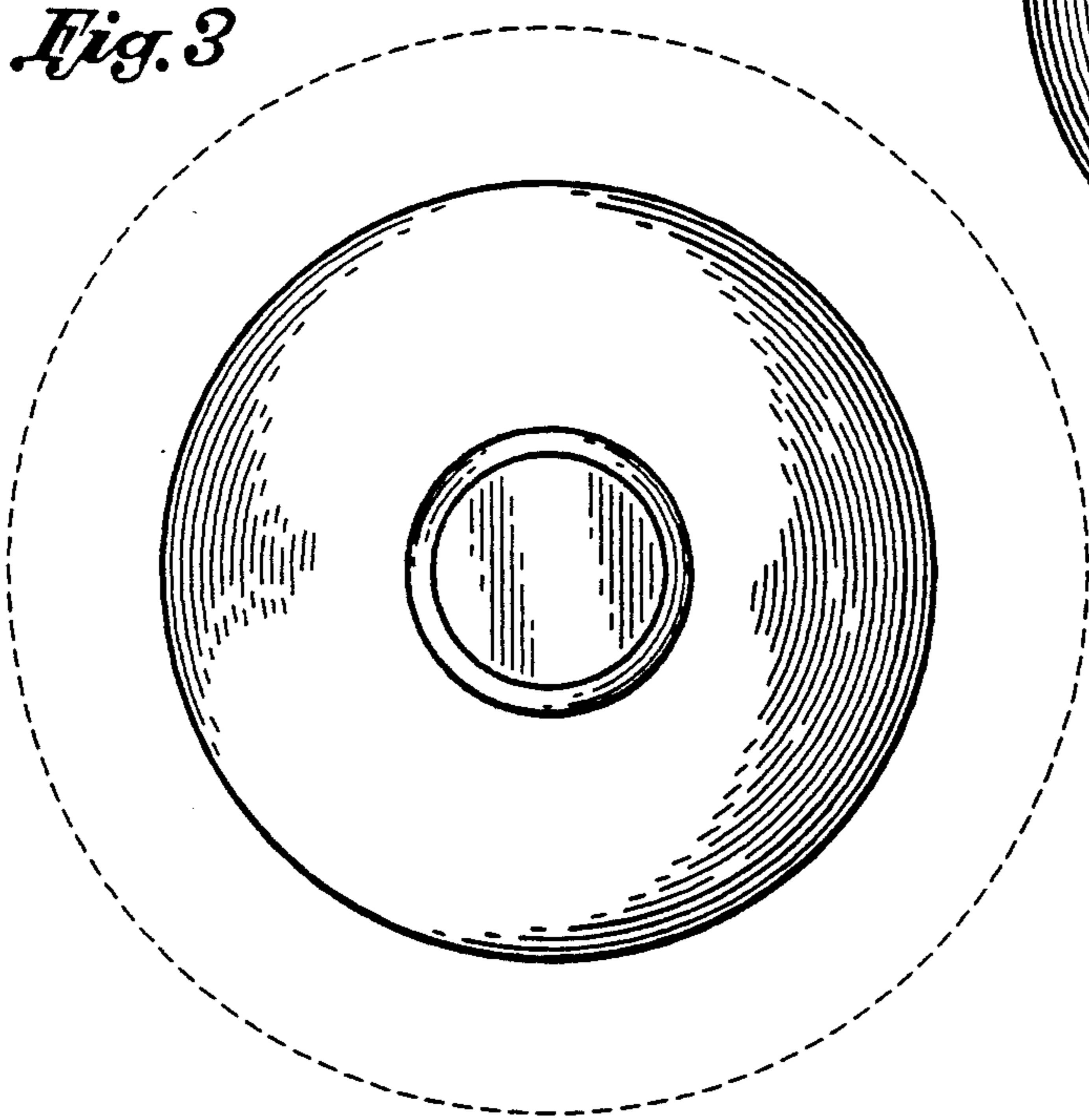
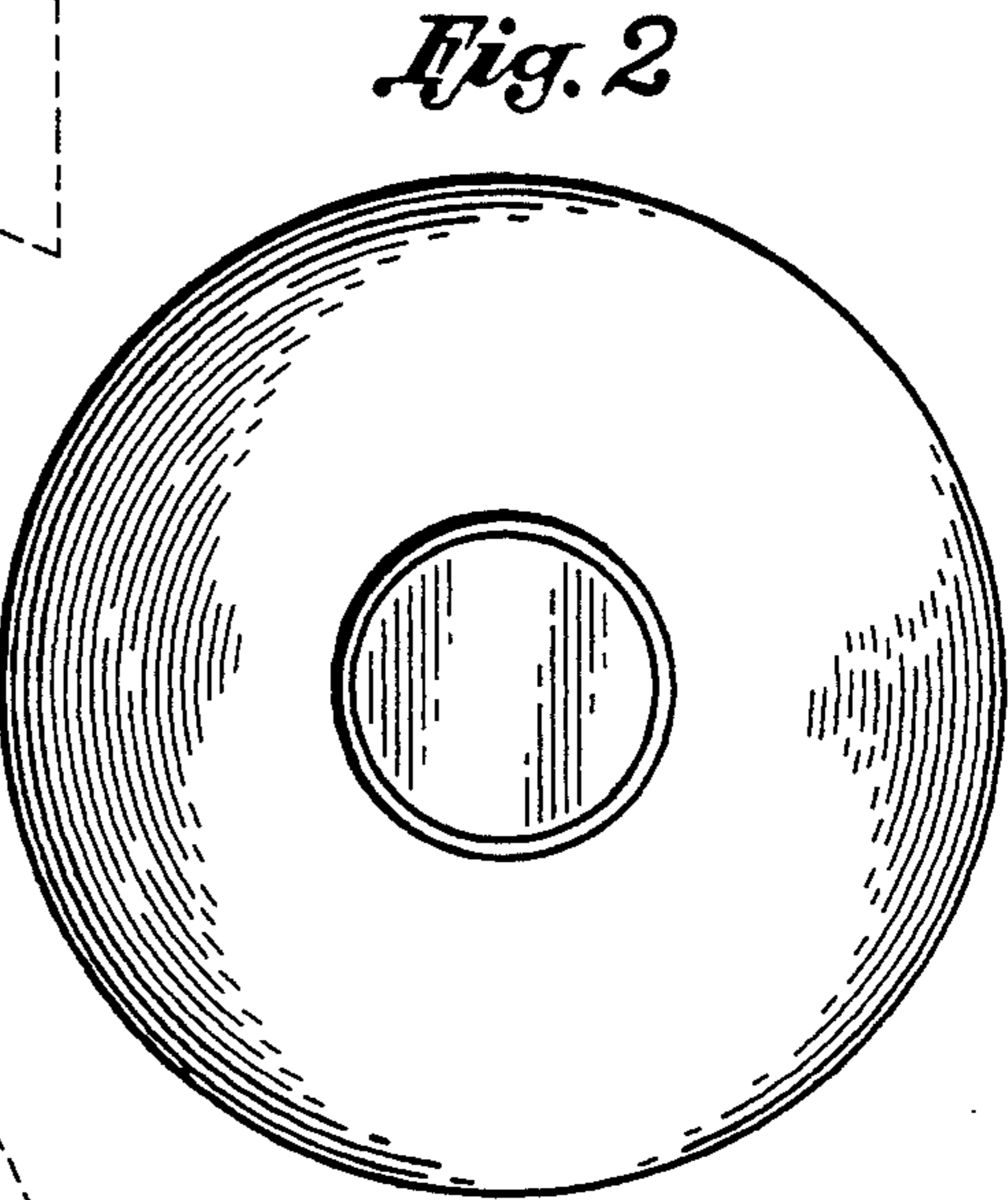
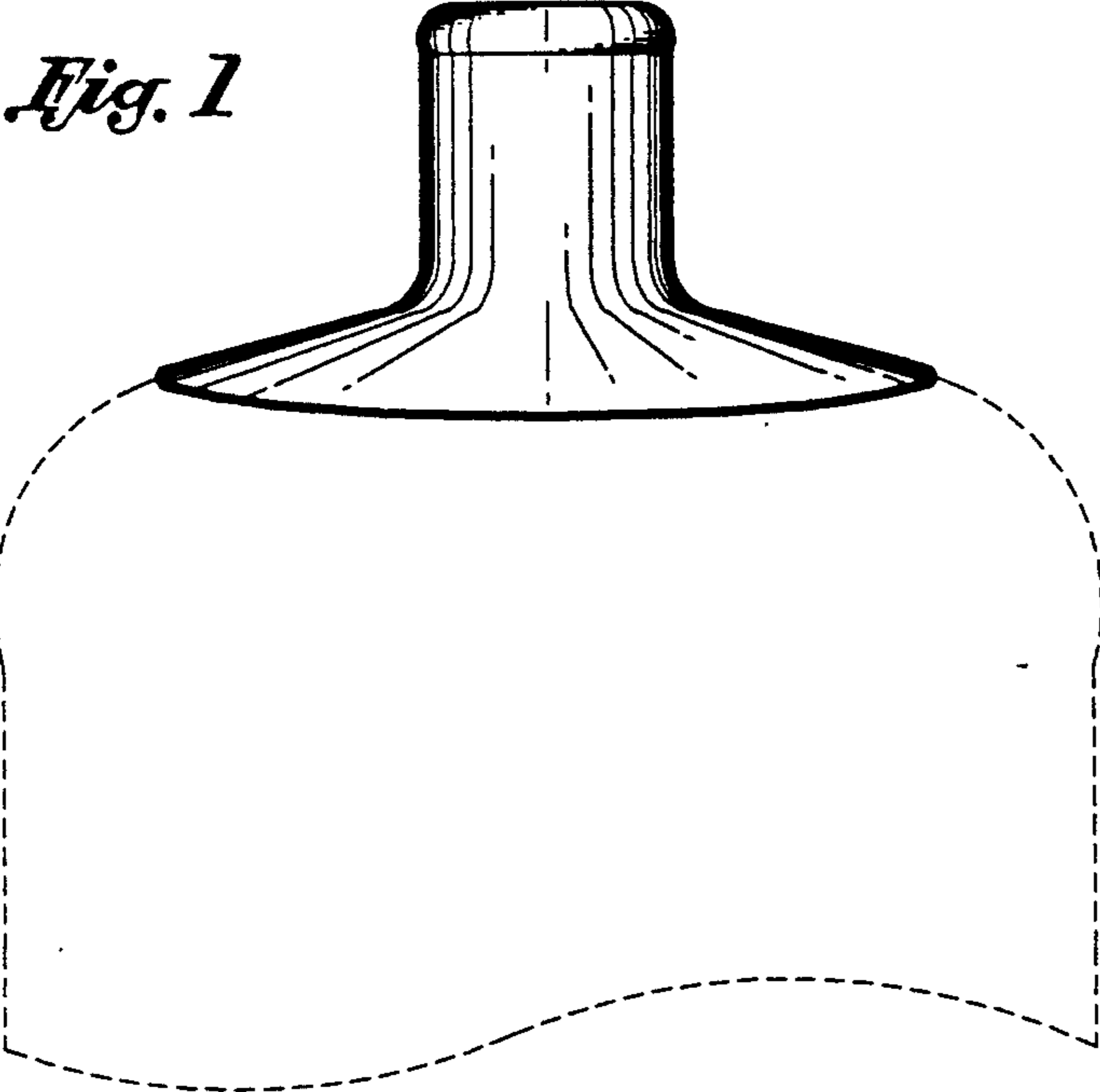
FIG. 7 is a side elevation view of a water bottle cap showing a third embodiment of the design of the present invention;

FIG. 8 is a bottom plan view of the water bottle cap of FIG. 7; and,

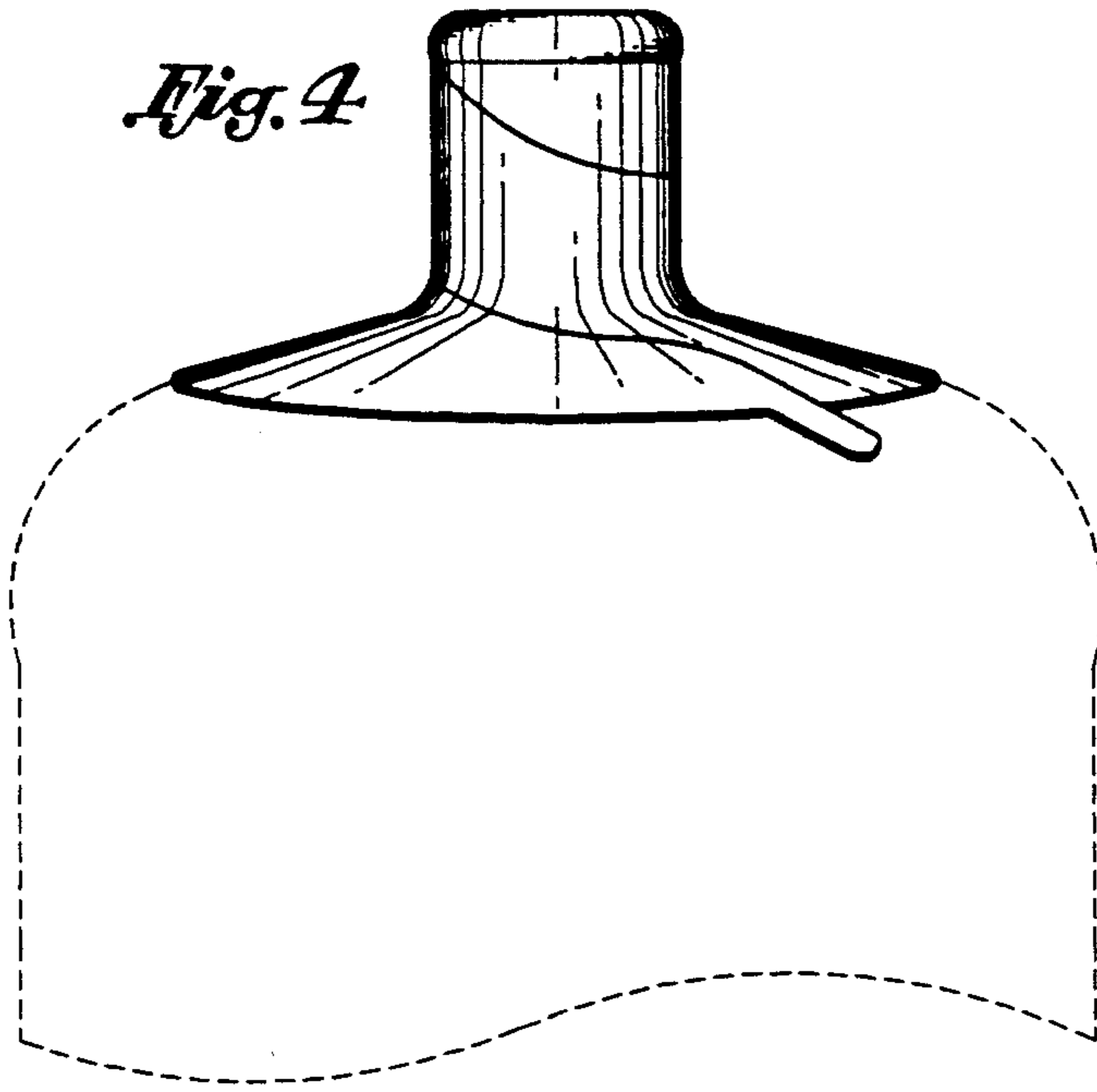
FIG. 9 is a top plan view of the water bottle cap of FIG. 7.

The broken-line showing of a water bottle in FIGS. 1, 3, 4, 6, 7 and 9 is for illustrative purposes only and forms no part of the claimed design.

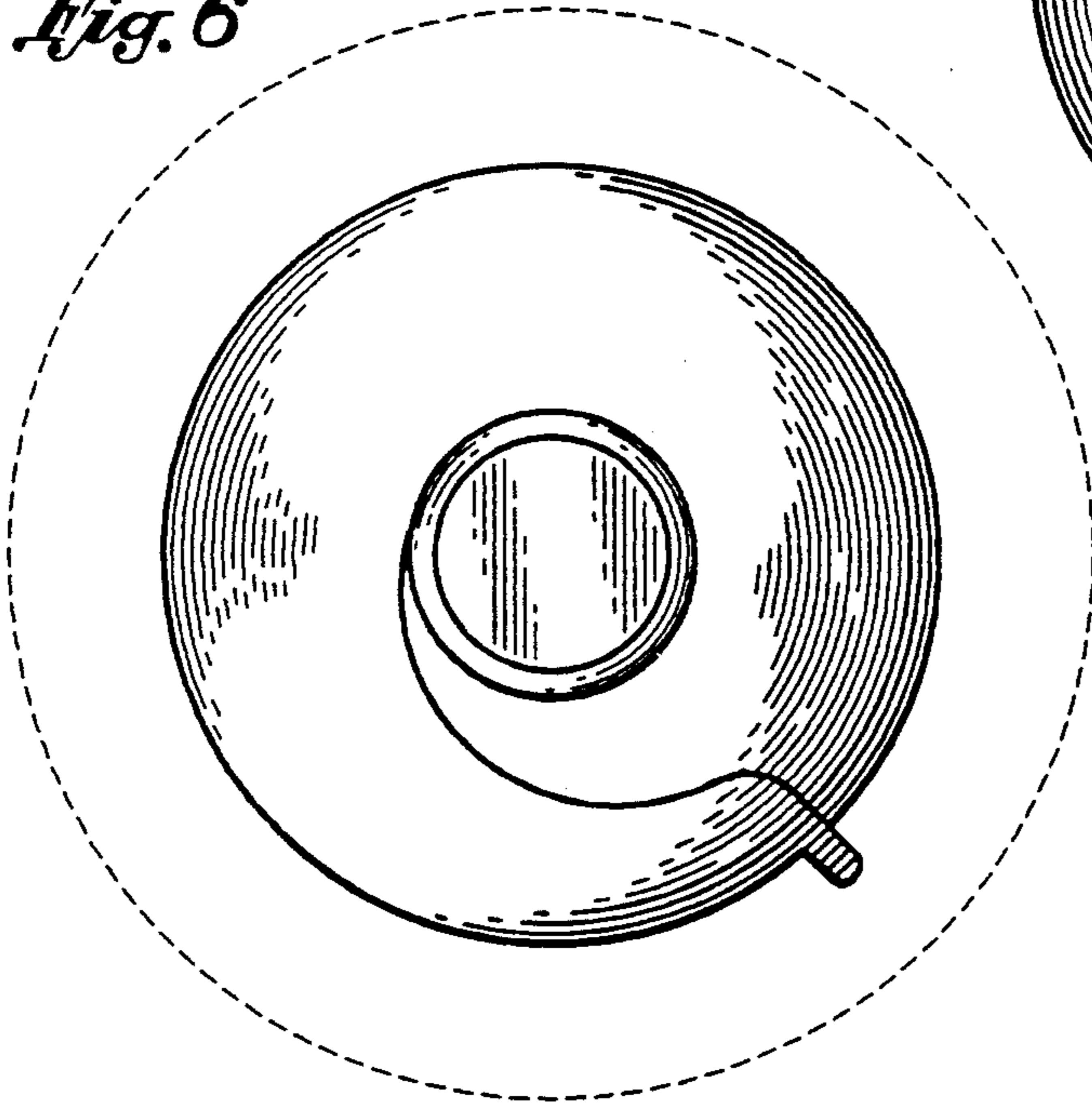




*Fig. 4*



*Fig. 6*



*Fig. 5*

