



US00D340410S

United States Patent [19]

[11] Patent Number: **Des. 340,410**

Hirsch

[45] Date of Patent: **** Oct. 19, 1993**

[54] **SHIPPING CONTAINER FOR JEWELRY ITEMS AND WATCH BANDS**

5,027,947 7/1991 Reighart 206/335

[75] Inventor: **Hermann Hirsch, Klagenfurt, Austria**

Primary Examiner—Prabhakar G. Deshmukh
Attorney, Agent, or Firm—Kurt Kelman

[73] Assignee: **Hirsch Armbänder Gesellschaft mbH, Klagenfurt, Austria**

[57] **CLAIM**

The ornamental design for a shipping container for jewelry items and watch bands, as shown and described.

[**] Term: **14 Years**

[21] Appl. No.: **748,916**

[22] Filed: **Aug. 23, 1991**

DESCRIPTION

[30] **Foreign Application Priority Data**

Feb. 26, 1991 [AT] Austria MU401/91

[52] U.S. Cl. **D9/418**

[58] Field of Search D9/414, 415, 418, 420, D9/423, 424, 337, 339; 206/335, 301, 6.1, 56.6, 44.31, 44.36, 45.19; 220/345, 346

FIG. 1 is a perspective view of a shipping container for jewelry items and watch bands showing my new design; FIG. 2 is a perspective view of the base thereof without the cover;

FIG. 3 is a perspective view of the cover thereof without the base;

FIG. 4 is a left side elevational view of FIG. 2, the right side elevational view being a mirror image thereof;

FIG. 5 is a top plan view of FIG. 2;

FIG. 6 is a left side elevational view of FIG. 3, the right side elevational view being a mirror image thereof; and,

FIG. 7 is a top plan view of FIG. 3.

The base and cover of the shipping container in FIGS. 2-7 are shown separately for clarity of illustration. The bottom surface is plane and unornamented.

[56] **References Cited**

U.S. PATENT DOCUMENTS

- D. 166,147 3/1952 Dunbar D9/339
- D. 209,953 1/1968 Stahl D9/415
- D. 248,148 6/1978 Chamberlin D9/414
- D. 327,013 6/1992 Reighart D9/415

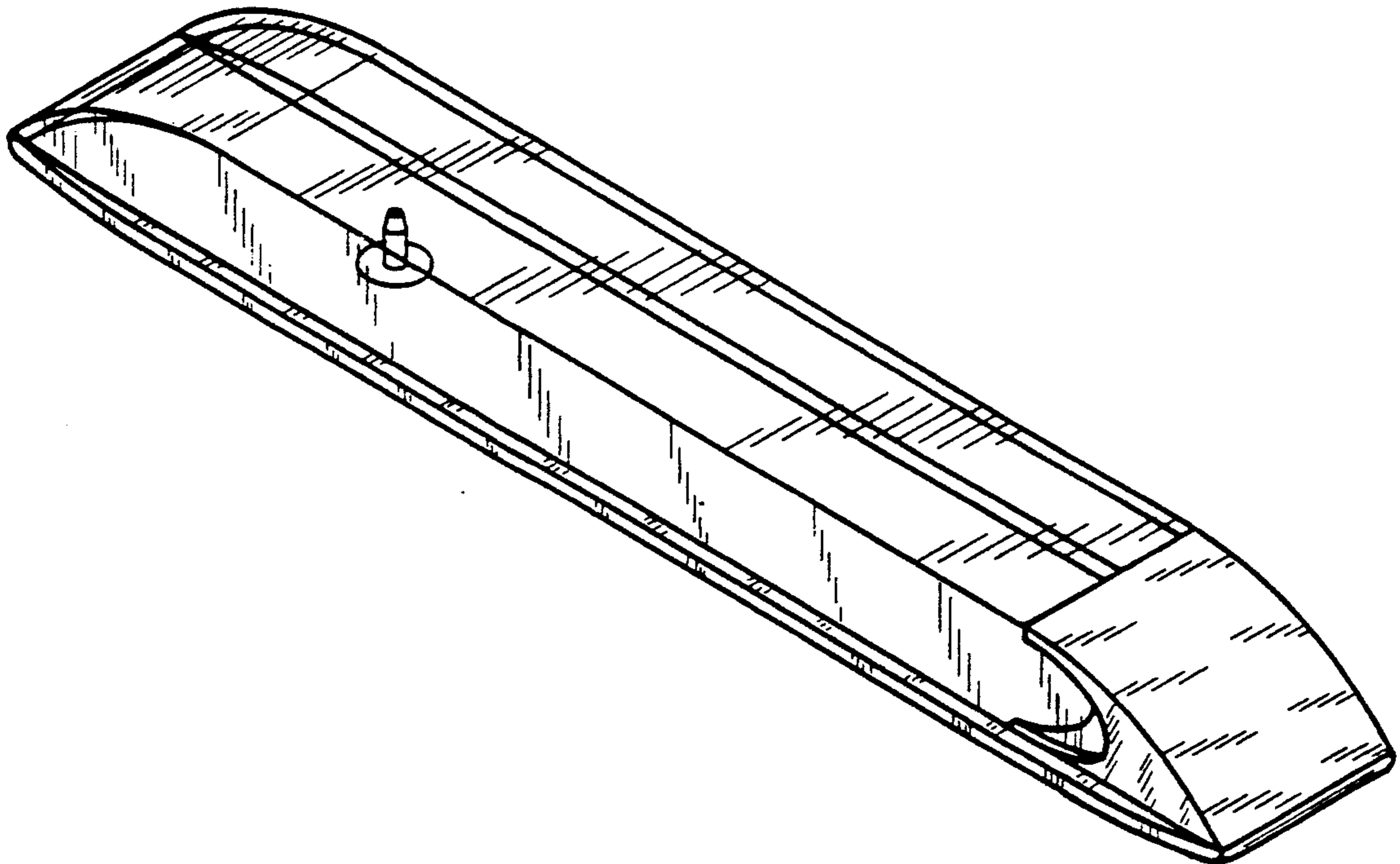


FIG. 1

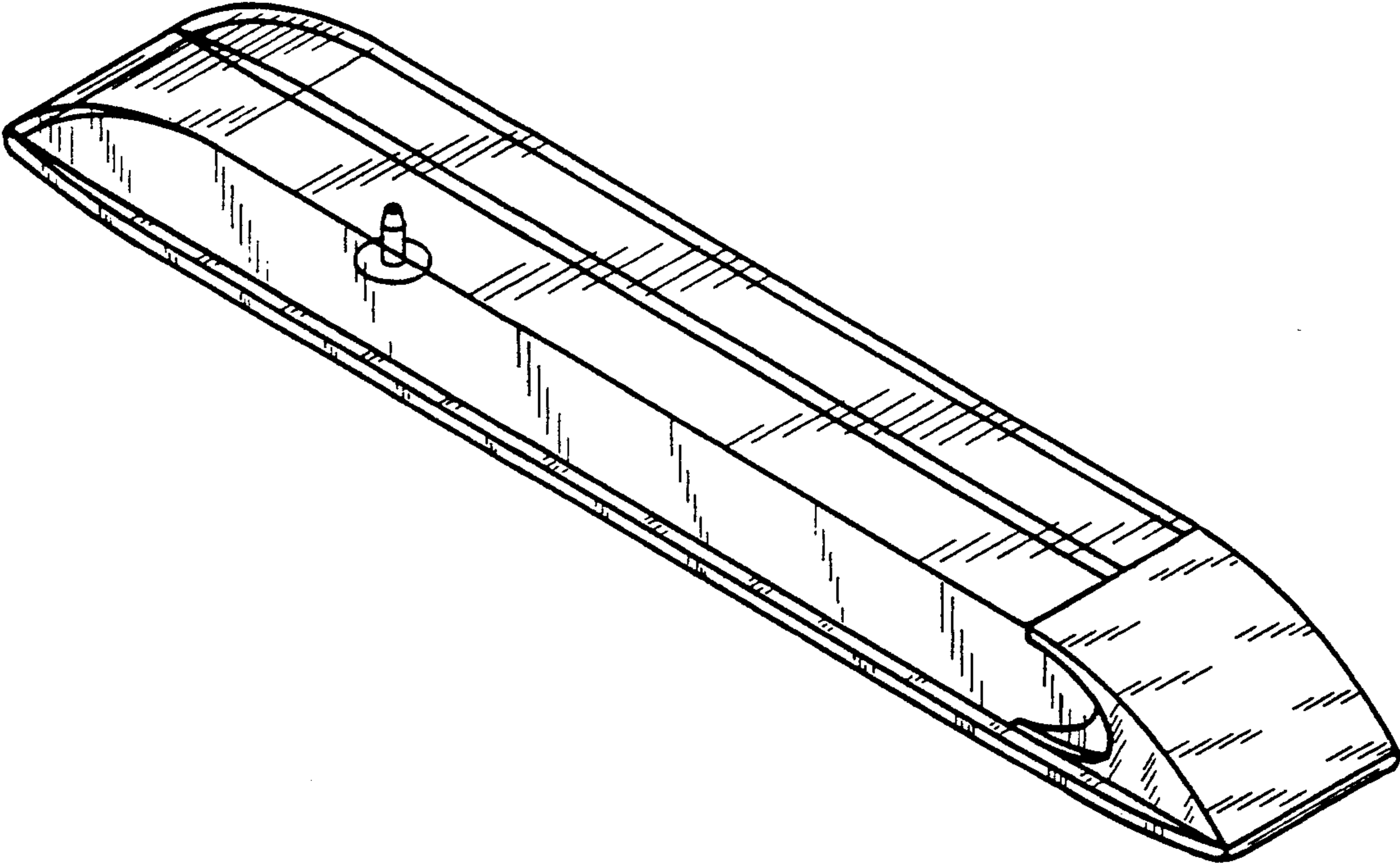


FIG. 2

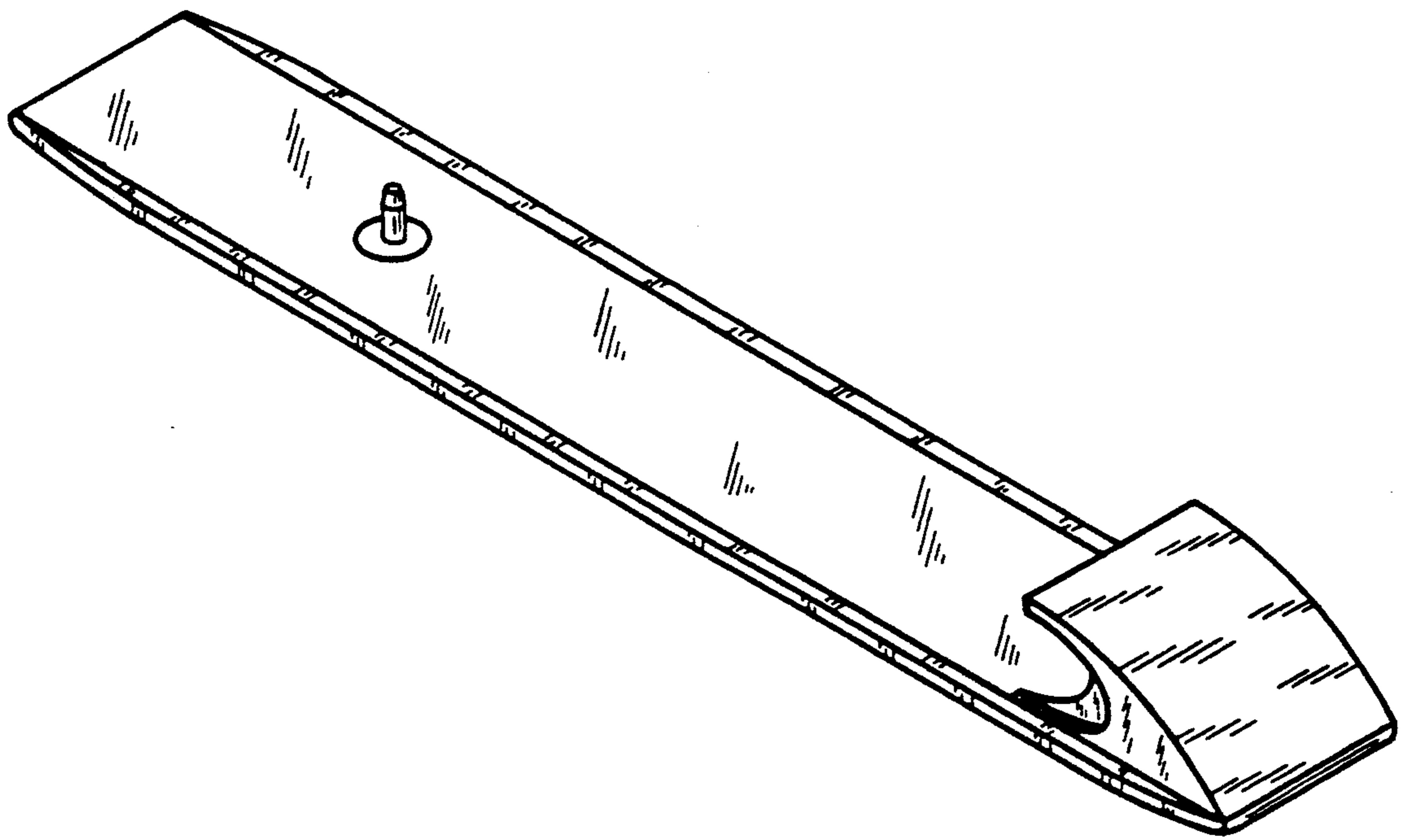


FIG. 3

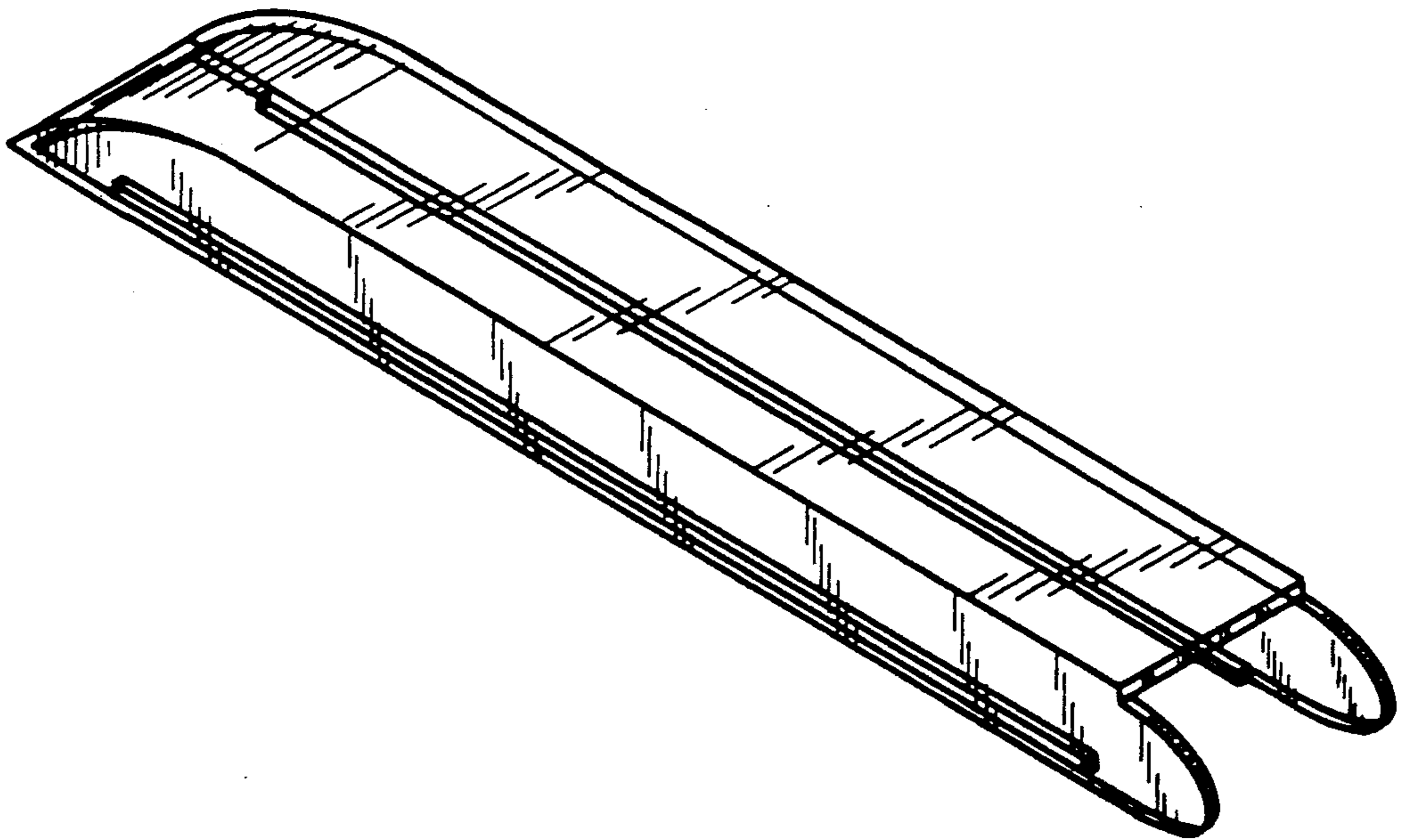


FIG. 4



FIG. 5

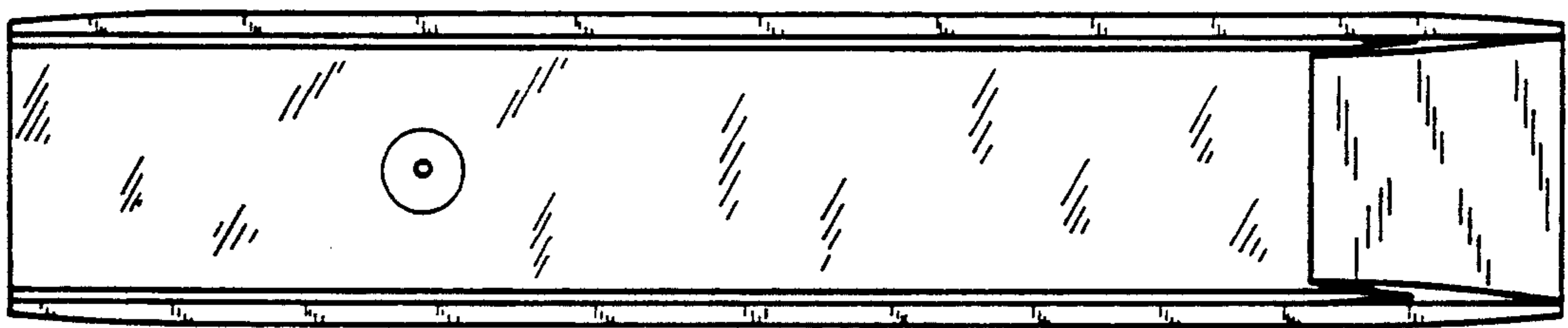


FIG. 6



FIG. 7

