



US00D340408S

# United States Patent [19]

[11] Patent Number: Des. 340,408

Hirsch

[45] Date of Patent: \*\* Oct. 19, 1993

[54] SHIPPING CONTAINER FOR JEWELRY ITEMS AND WATCH BANDS

5,027,947 7/1991 Reighart ..... 206/335

[75] Inventor: Hermann Hirsch, Klagenfurt, Austria

Primary Examiner—Prabhakar G. Deshmukh  
Attorney, Agent, or Firm—Kurt Kelman

[73] Assignee: Hirsch Armbänder Gesellschaft mbH, Klagenfurt, Austria

### [57] CLAIM

[\*\*] Term: 14 Years

The ornamental design for a shipping container for jewelry items and watch bands, as shown and described.

[21] Appl. No.: 748,913

### DESCRIPTION

[22] Filed: Aug. 23, 1991

### [30] Foreign Application Priority Data

Feb. 26, 1991 [AT] Austria ..... MU 398/91

[52] U.S. Cl. .... D9/418

[58] Field of Search ..... D9/414-415, D9/418, 420, 423, 424, 337, 339; 206/335, 301, 6.1, 566, 44.34, 44.31, 45.19; 220/345, 346

FIG. 1 is a perspective view of a shipping container for jewelry items and watch bands showing my new design; FIG. 2 is a perspective view of the base thereof without the cover;

FIG. 3 is a perspective view of the cover thereof without the base;

FIG. 4 is a left side elevational view of FIG. 2, the right side elevational view being a mirror image thereof;

FIG. 5 is a top plan view of FIG. 2;

FIG. 6 is a left side elevational view of FIG. 3, the right side elevational view being a mirror image thereof; and,

FIG. 7 is a top plan view of FIG. 3.

The base and cover of the shipping container in FIGS. 2-7 are shown separately for clarity of illustration. The bottom surface is plane and unornamented.

### [56] References Cited

#### U.S. PATENT DOCUMENTS

- D. 166,147 3/1952 Dunbar ..... D9/339
- D. 209,953 1/1968 Stehl ..... D9/415
- D. 248,148 6/1978 Chamblin ..... D9/414
- D. 327,013 6/1992 Reighart ..... D9/415

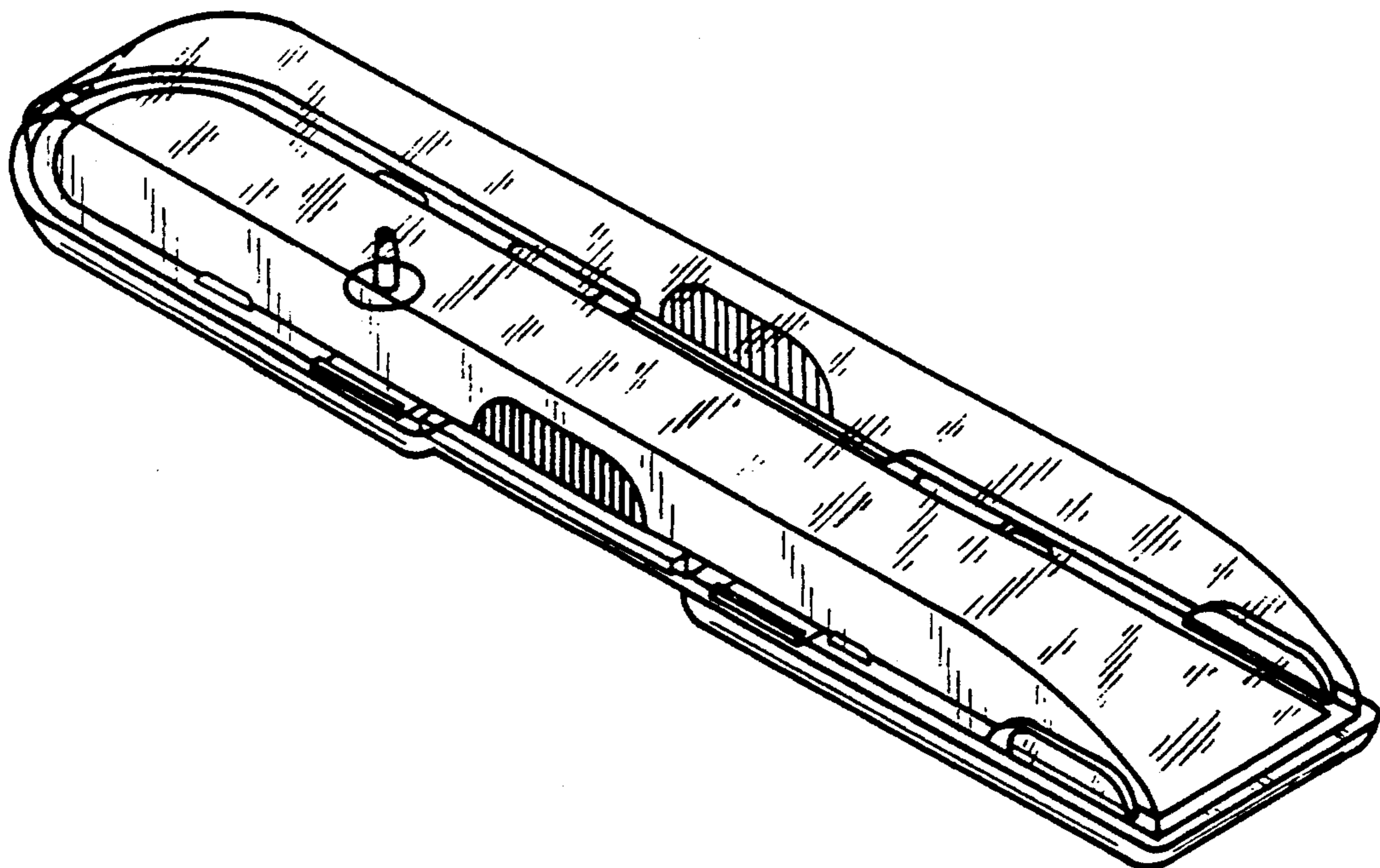


FIG. 1

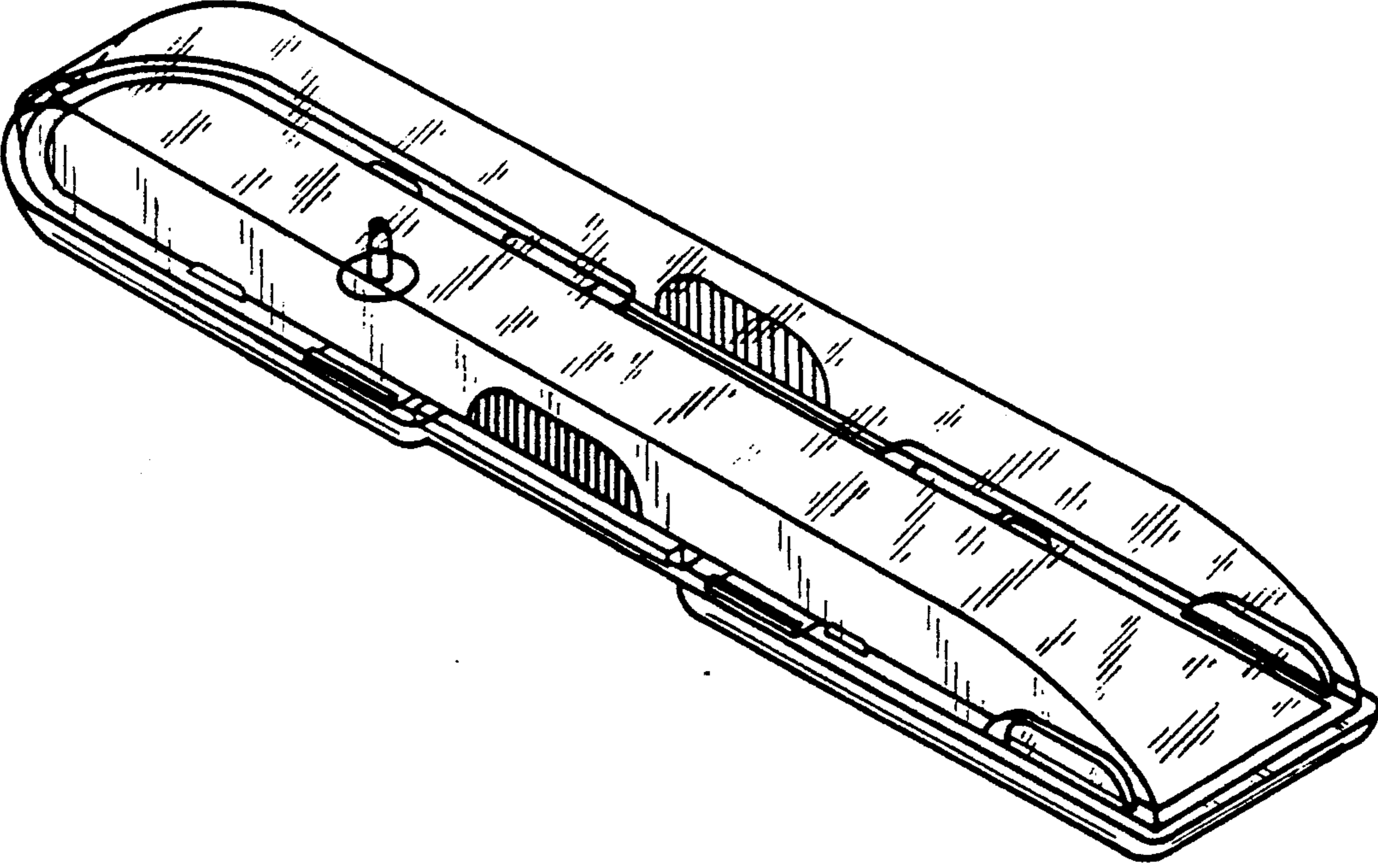


FIG. 2

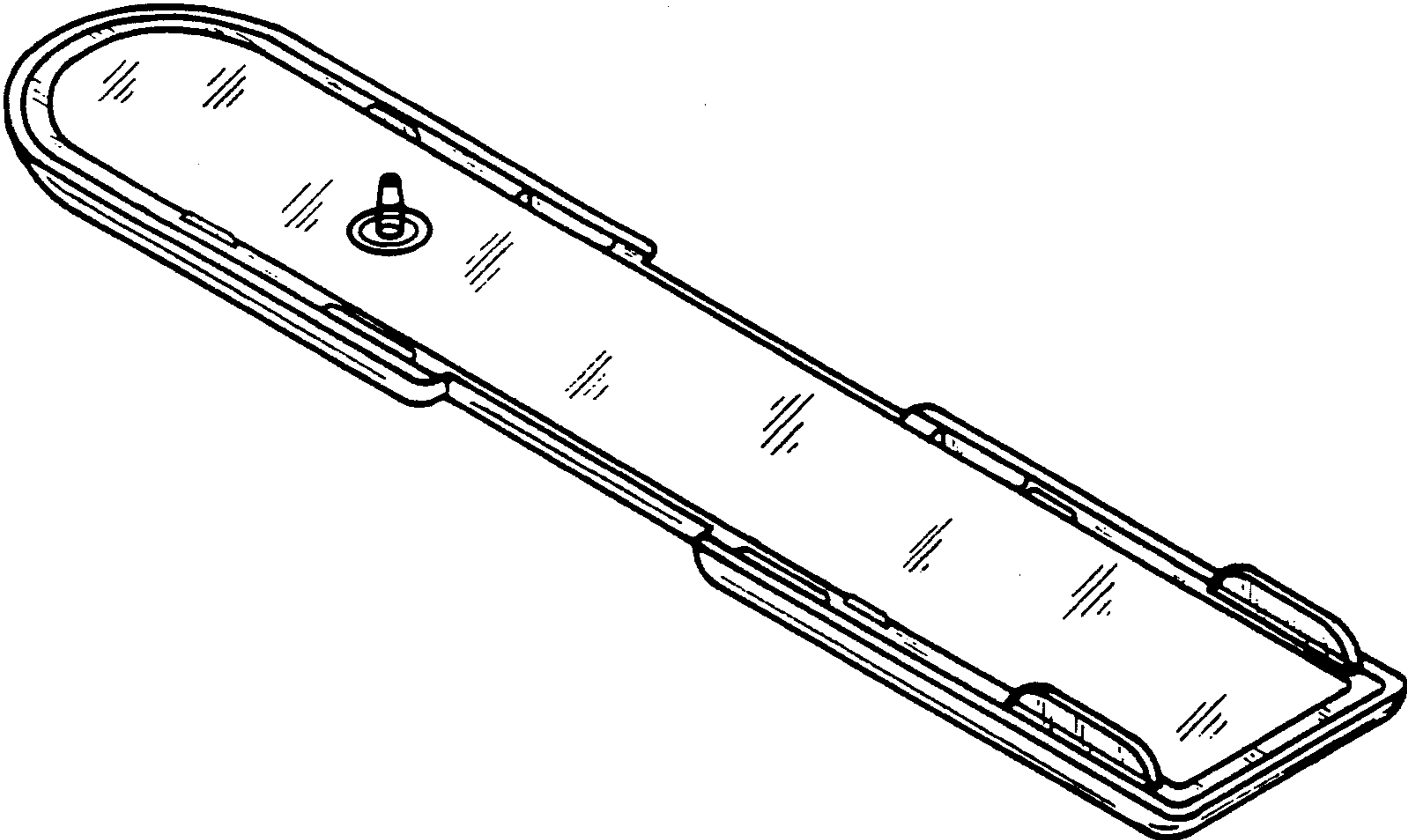


FIG. 3

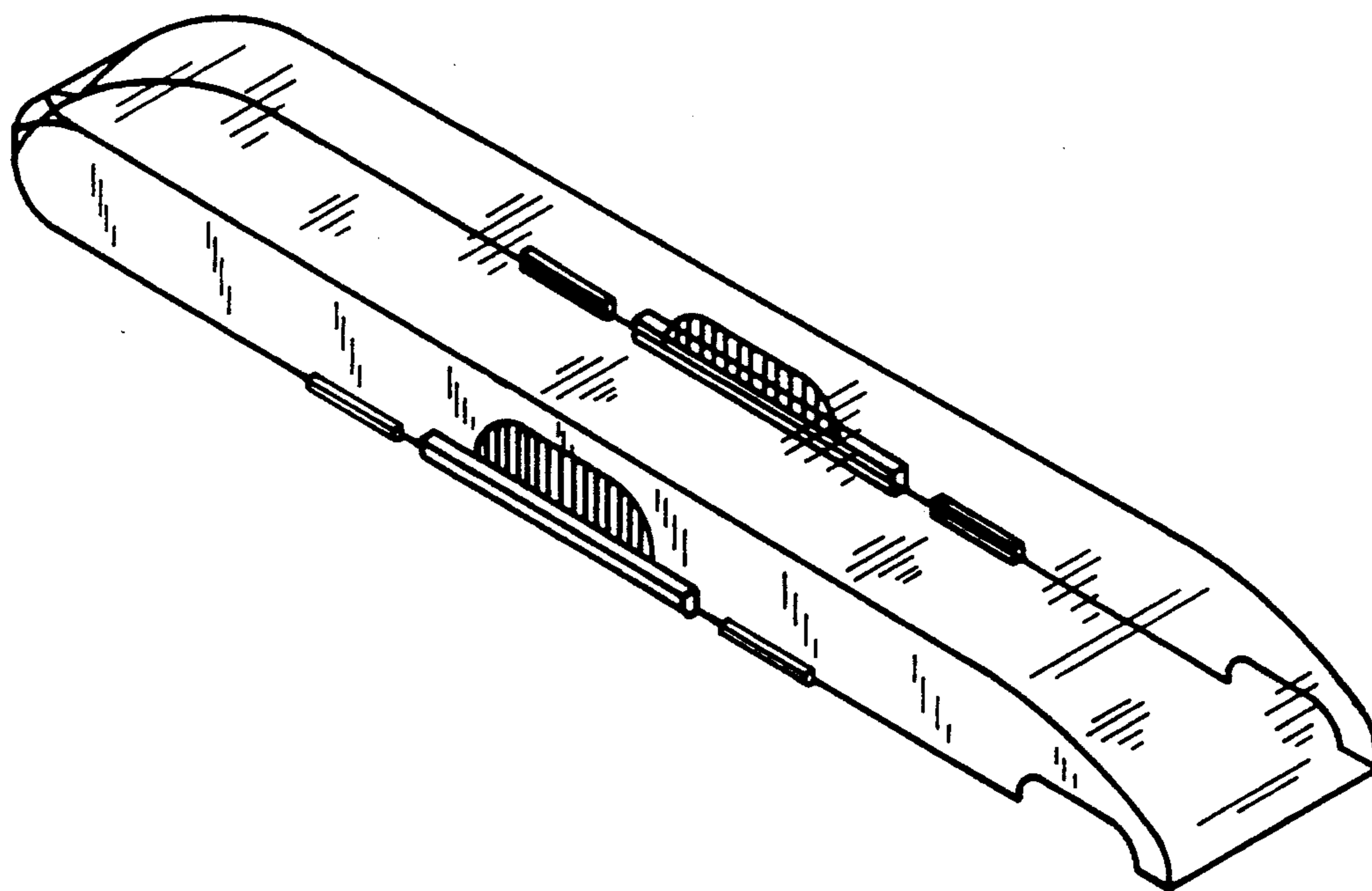


FIG. 4



FIG. 5

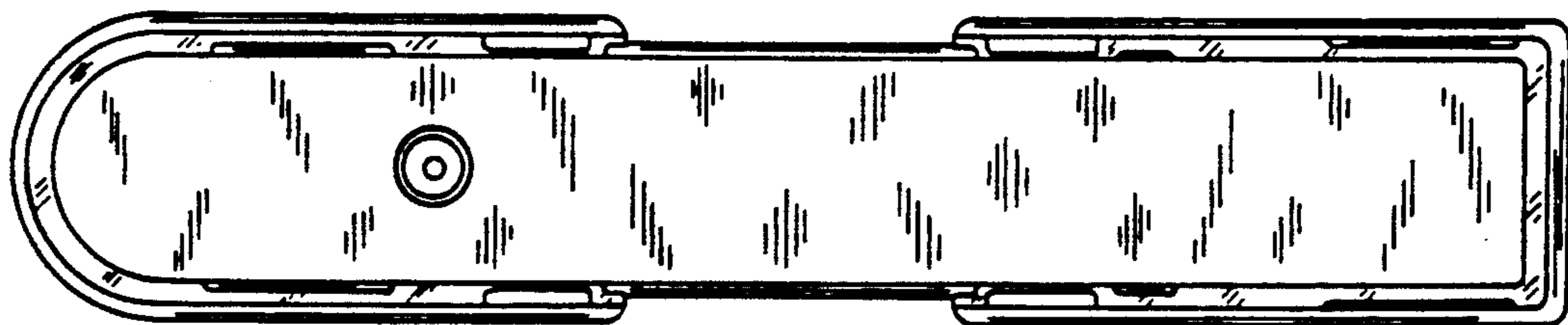


FIG. 6



FIG. 7

