



US00D340402S

United States Patent [19] Holt

[11] Patent Number: **Des. 340,402**

[45] Date of Patent: **** Oct. 19, 1993**

[54] **PICTURE HANGING APPARATUS**

[76] Inventor: **G. Richard Holt**, 100 Pin Oak Forest,
San Antonio, Tex. 78232

[**] Term: **14 Years**

[21] Appl. No.: **874,763**

[22] Filed: **Apr. 27, 1992**

[52] U.S. Cl. **D8/373**

[58] Field of Search **D8/373; 248/544, 493;
D6/300**

4,893,776 1/1990 Floyd .
4,993,168 2/1991 Acuna .
5,028,030 7/1991 Lewis 248/493

FOREIGN PATENT DOCUMENTS

708874 7/1941 Fed. Rep. of Germany .

Primary Examiner—Wallace R. Burke
Assistant Examiner—H. Baynham
Attorney, Agent, or Firm—Richard J. Smith

[57] **CLAIM**

The ornamental design for a picture hanging apparatus,
as shown and described.

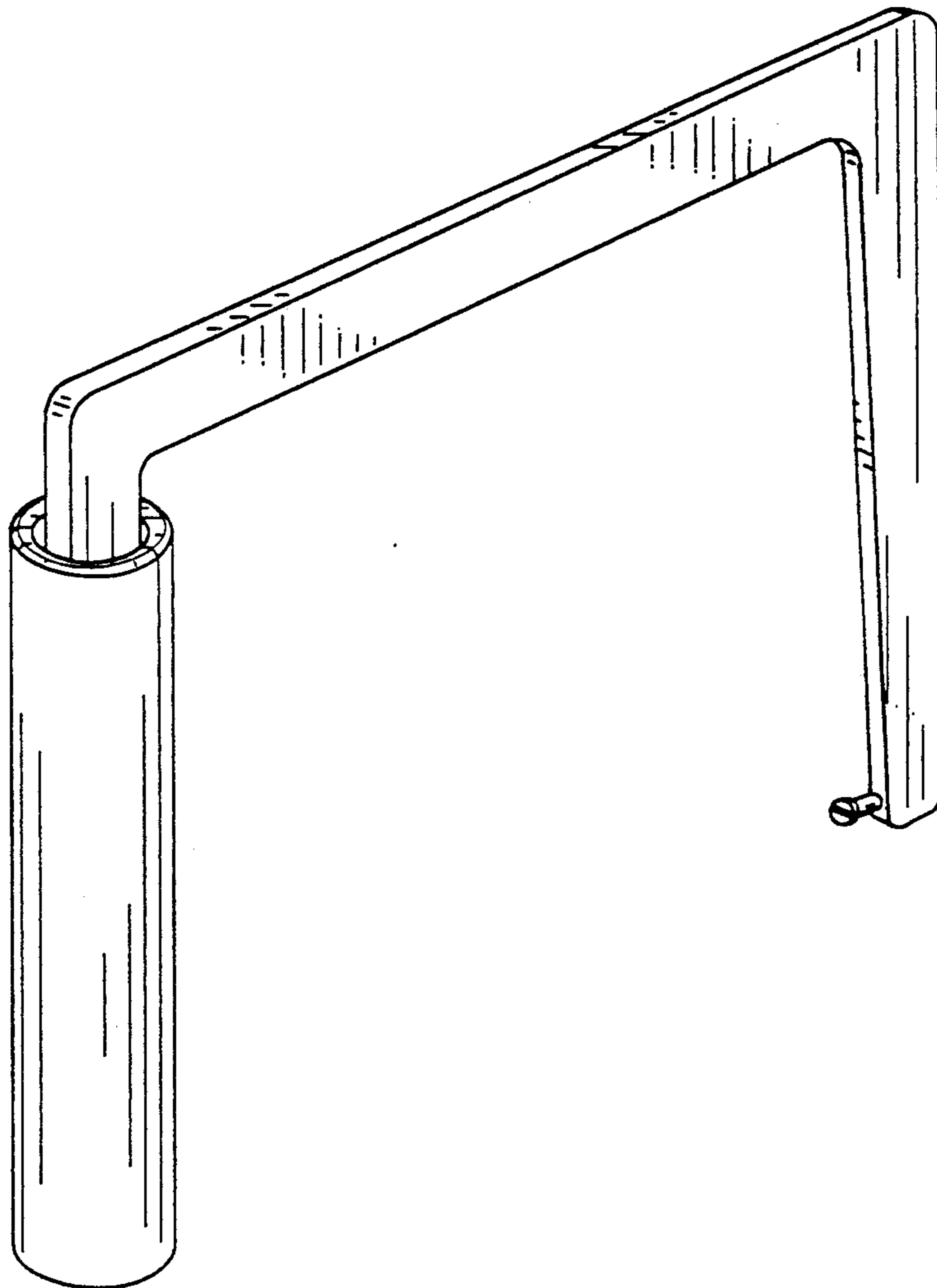
DESCRIPTION

FIG. 1 is a perspective view of a picture hanging apparatus showing my new design;
FIG. 2 is a top plan view thereof;
FIG. 3 is a right side view thereof;
FIG. 4 is a front elevational view thereof;
FIG. 5 is a rear elevational view thereof;
FIG. 6 is a right side view thereof; and,
FIG. 7 is a bottom plan view thereof.

[56] **References Cited**

U.S. PATENT DOCUMENTS

- 1,294,643 2/1919 Farb .
- 2,428,213 9/1947 Gloede .
- 3,406,460 10/1968 Colwell .
- 4,026,510 5/1977 Holmes 248/493
- 4,382,337 5/1983 Bendick .
- 4,443,949 4/1984 Newton .
- 4,559,690 12/1985 Asmus .
- 4,637,583 1/1987 Babitz .



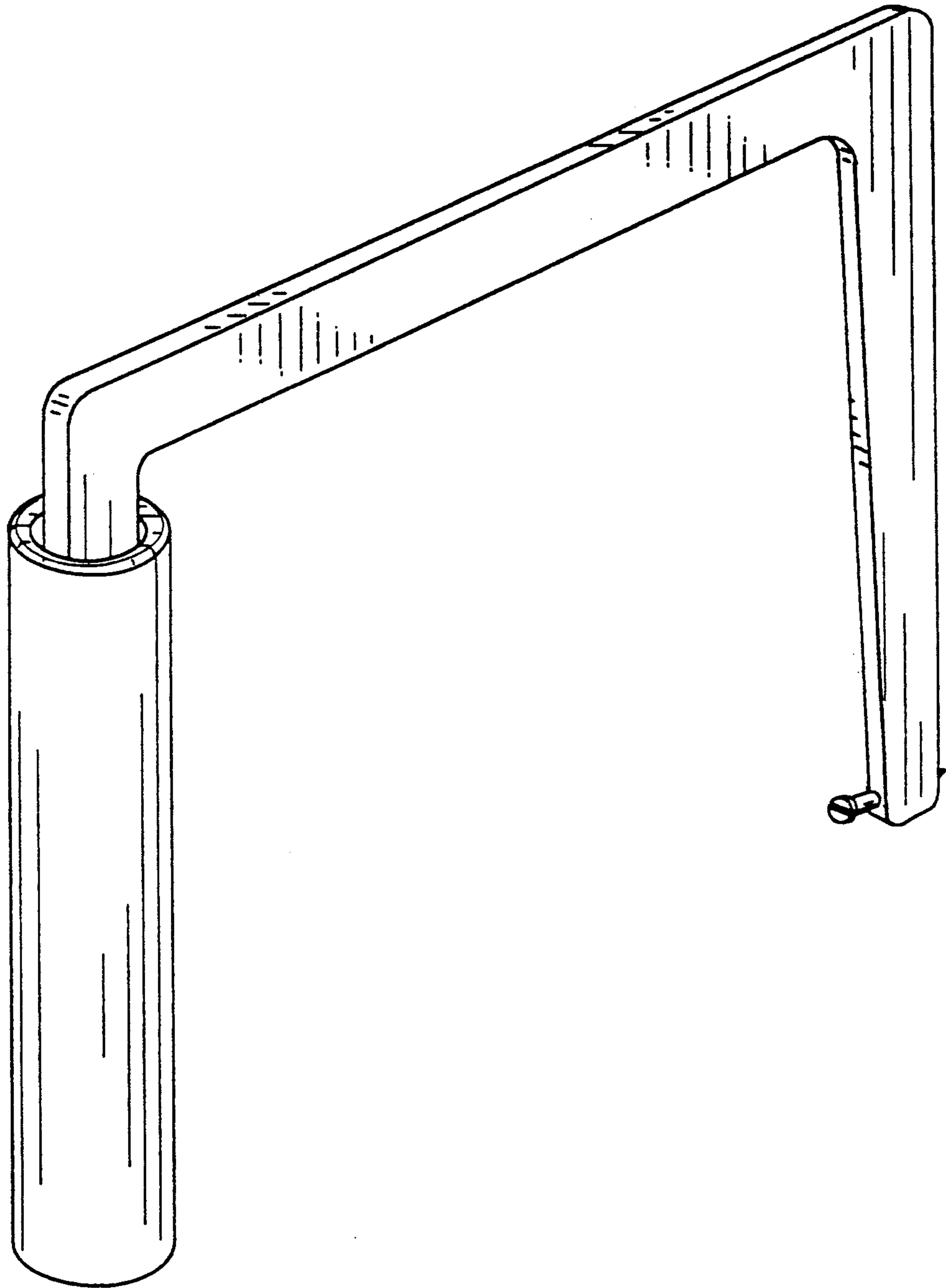


Fig. 1

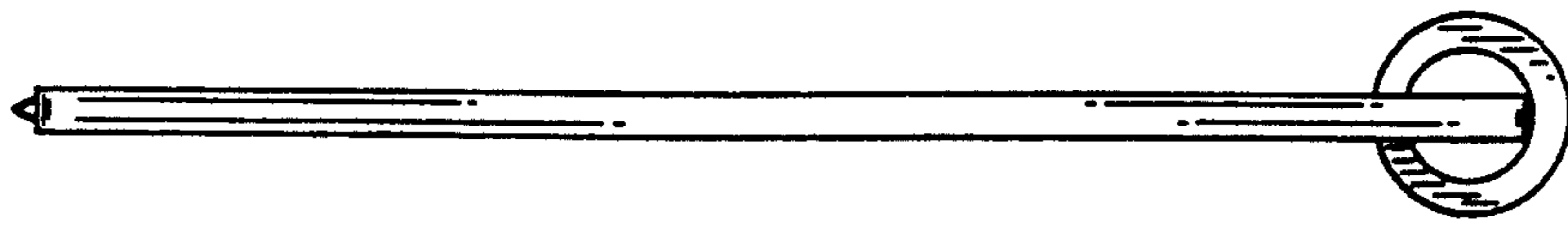


Fig. 2

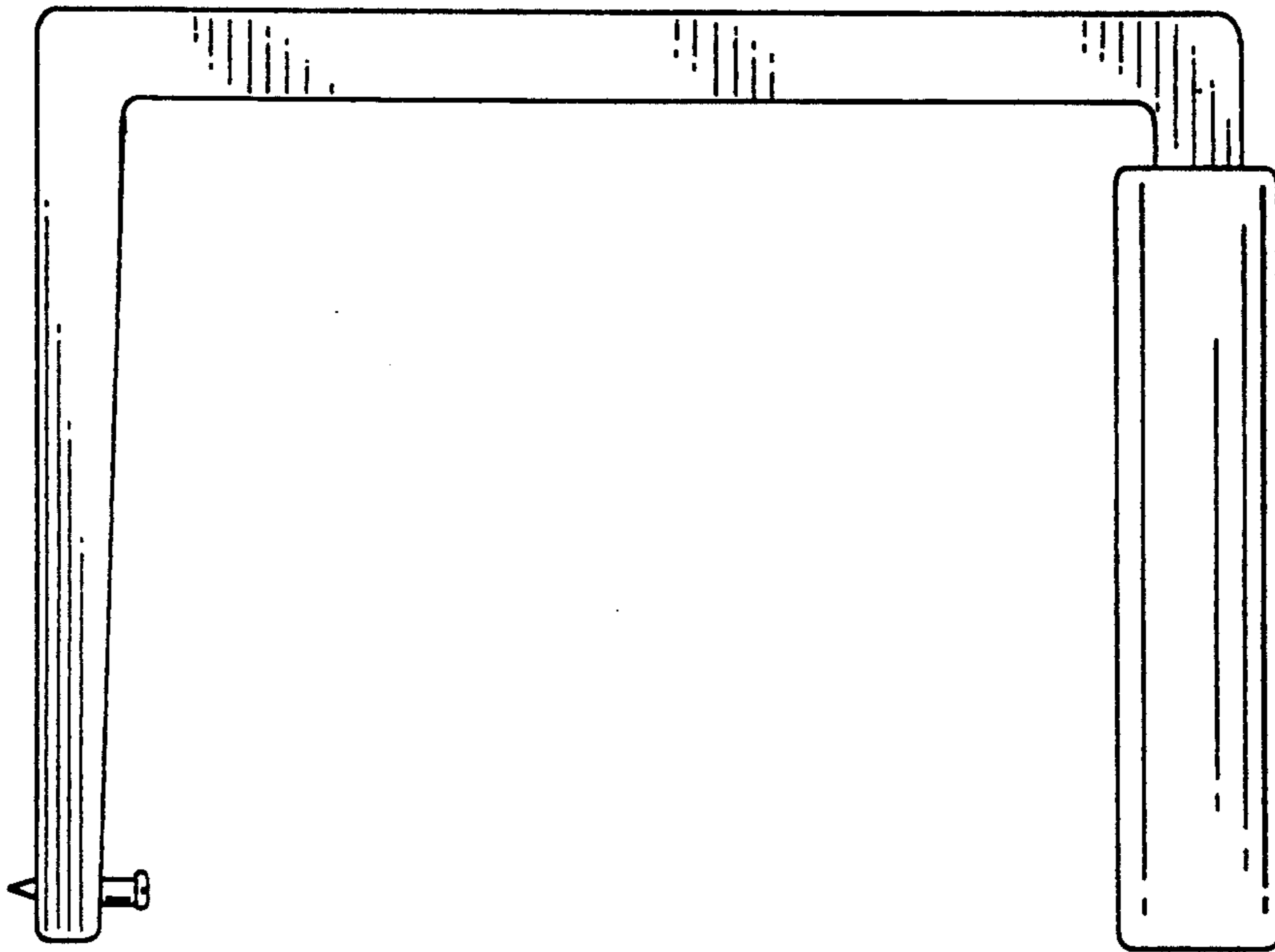


Fig. 3



Fig. 4

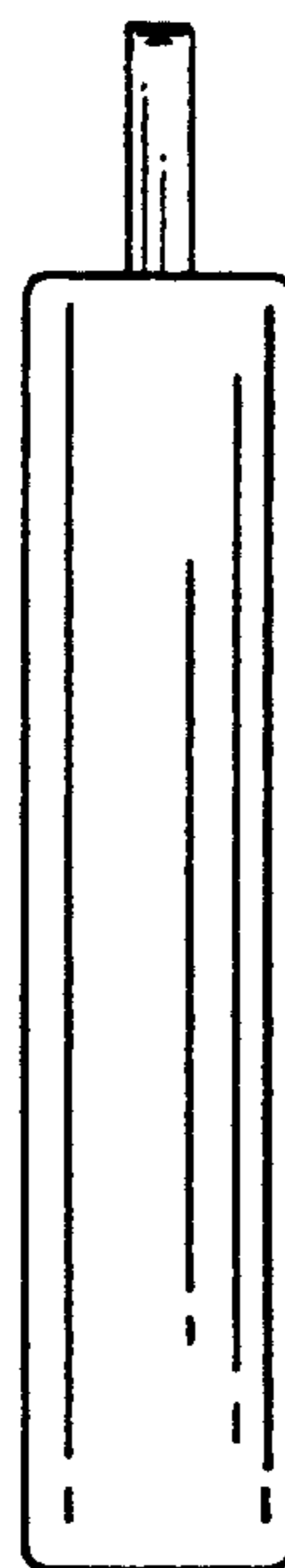


Fig. 5

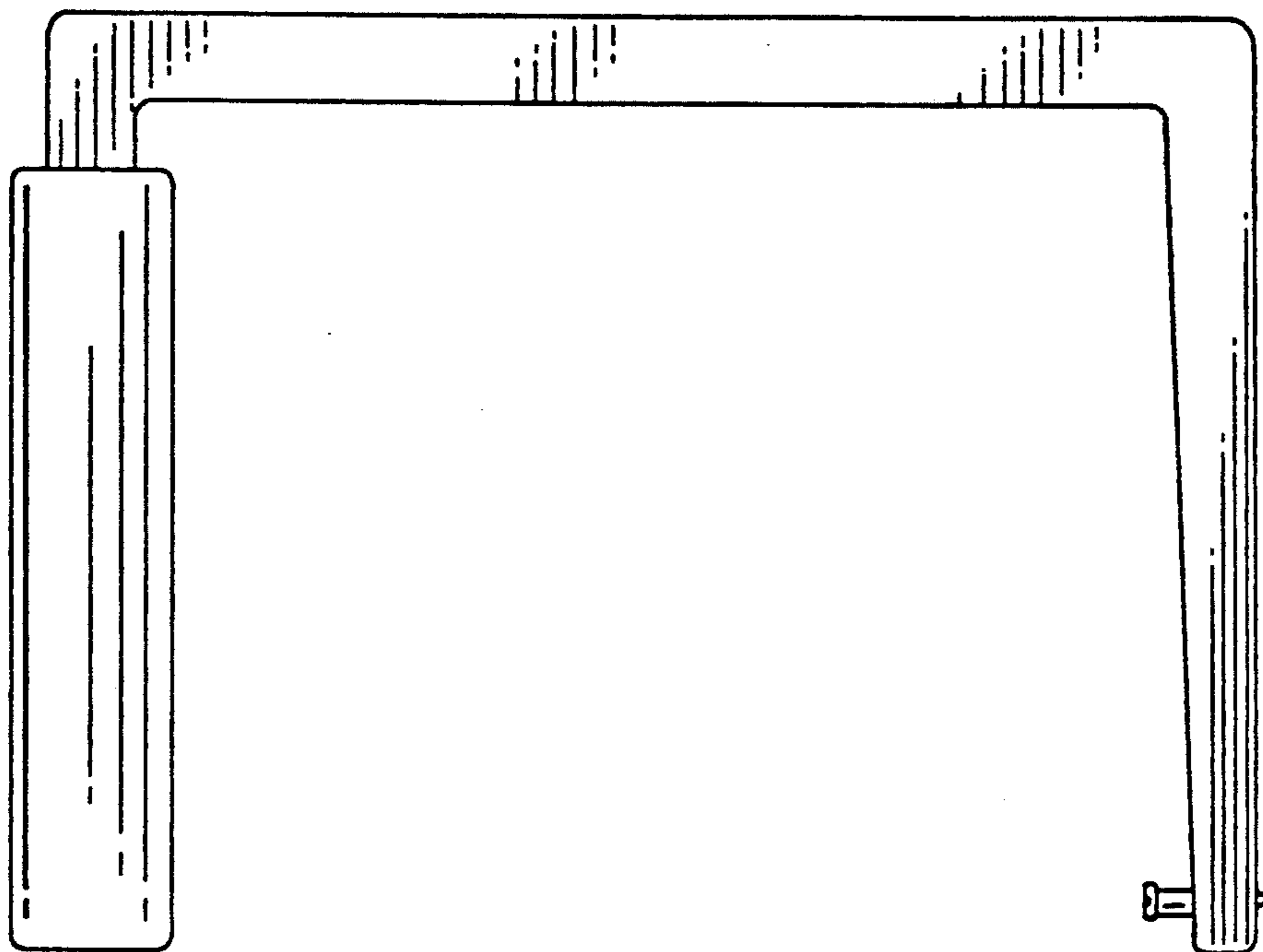


Fig. 6

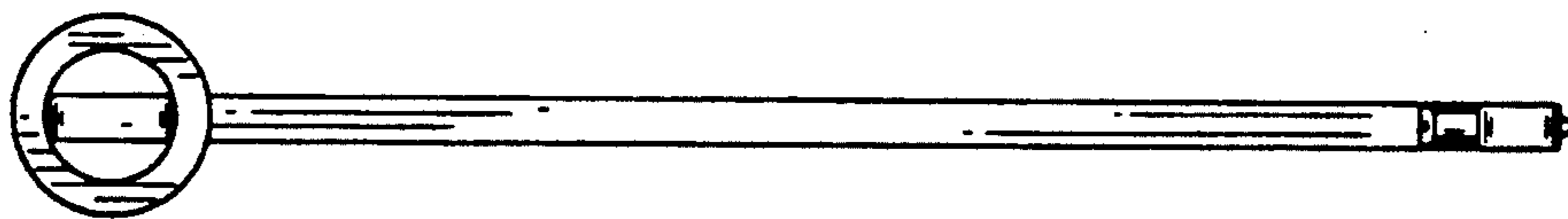


Fig. 7