



US00D340399S

United States Patent [19]

Paglia

[11] Patent Number: **Des. 340,399**

[45] Date of Patent: **** Oct. 19, 1993**

[54] **TOILET SEAT POSITIONING HANDLE**

[76] Inventor: **John Paglia**, 1680 Narcissa Rd., Blue Bell, Pa. 19422

[**] Term: **14 Years**

[21] Appl. No.: **802,778**

[22] Filed: **Dec. 6, 1991**

[52] U.S. Cl. **D8/317**

[58] Field of Search **D23/250-254; D8/300, 307, 317; 4/246.1**

D. 308,813	6/1990	Robinson	D8/307
1,127,919	2/1915	Pfau	4/246.1 X
2,758,315	8/1956	Hylton	4/246.1
3,717,884	2/1973	Mantooth	4/251
3,935,601	2/1976	Herman	4/251
4,742,582	5/1988	Giallourakis	4/246.1
4,920,586	5/1990	Giallourakis	4/246.1

Primary Examiner—James R. Largen

[57] **CLAIM**

The ornamental design for a toilet seat positioning handle, as shown and described.

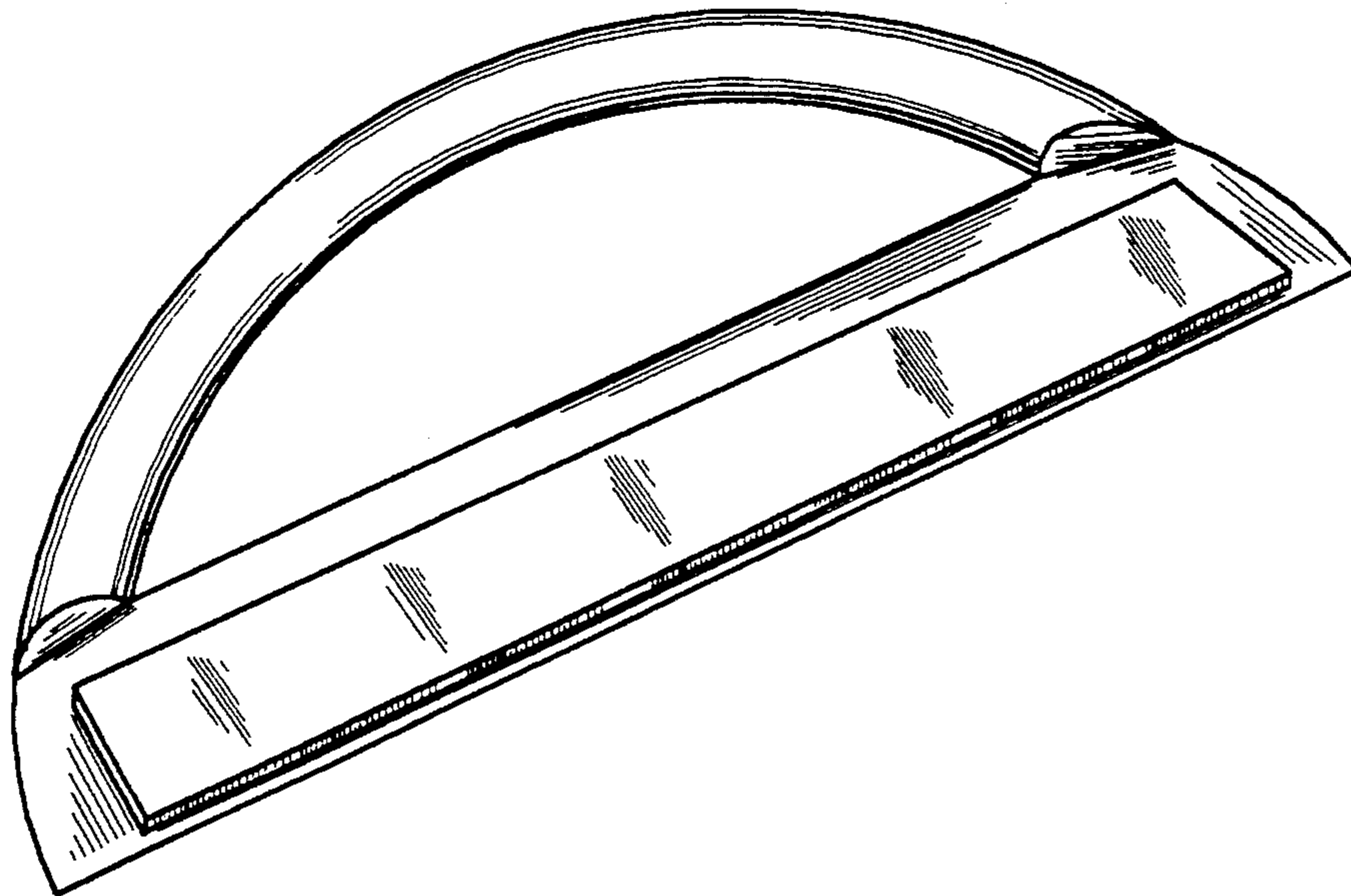
DESCRIPTION

FIG. 1 is a top perspective view of a toilet seat positioning handle showing my new design; FIG. 2 is a top plan view thereof; FIG. 3 is a bottom plan view thereof; FIG. 4 is a rear elevational view thereof; and, FIG. 5 is a right side elevational view thereof, the left side being a mirror image of the right side.

[56] **References Cited**

U.S. PATENT DOCUMENTS

D. 138,909	9/1944	Stone et al.	D8/317
D. 161,108	5/1950	Kandarian	D4/5
D. 191,497	10/1961	Hottle	D8/300
D. 245,095	7/1977	Murray	D8/307
D. 295,603	5/1988	Giallourakis	D8/307
D. 295,604	5/1988	Purdy	D8/307



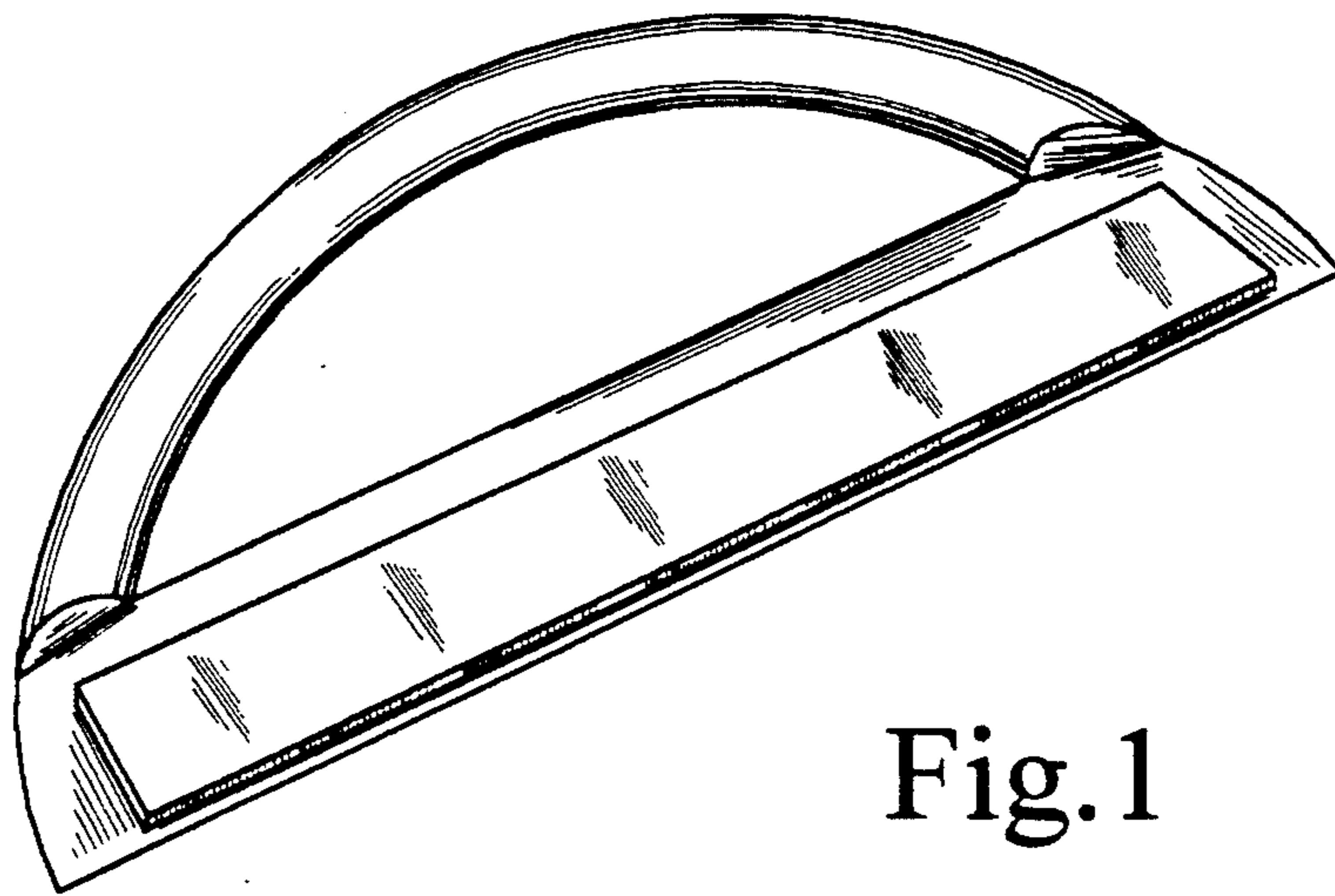


Fig. 1

Fig. 2

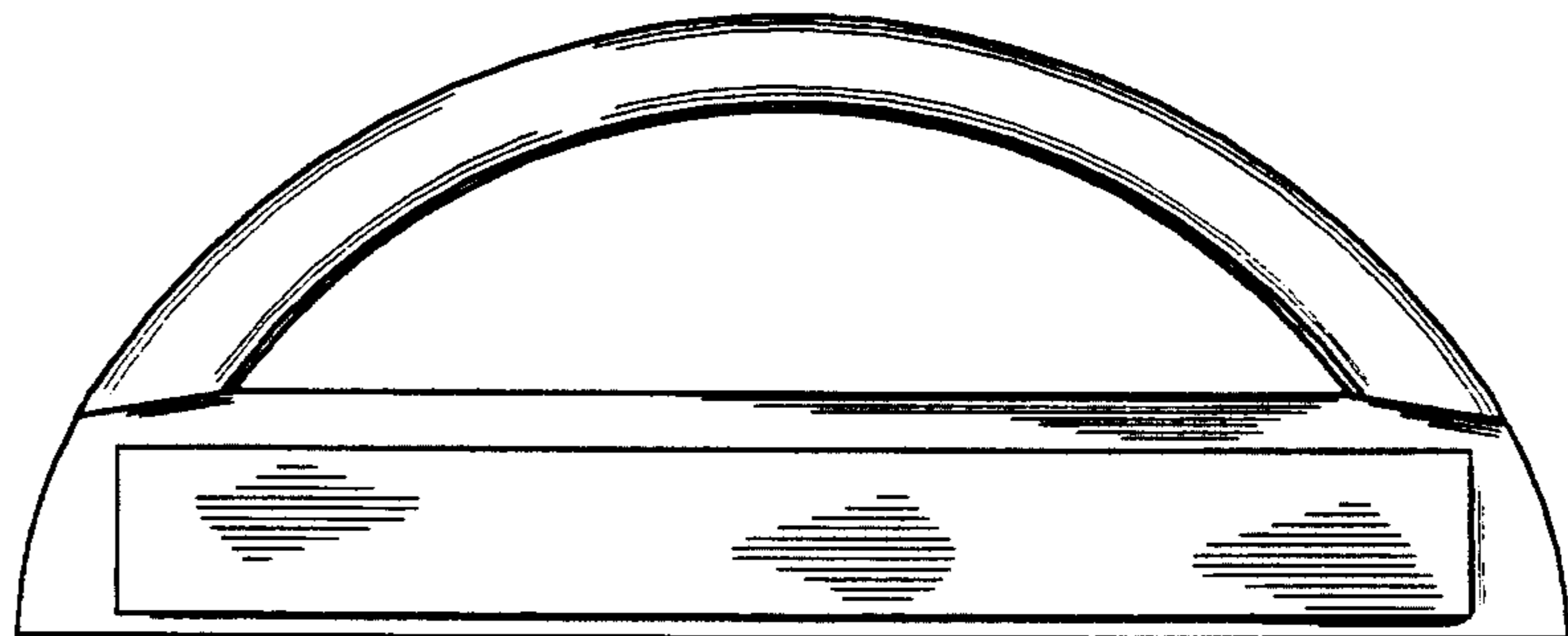


Fig. 3

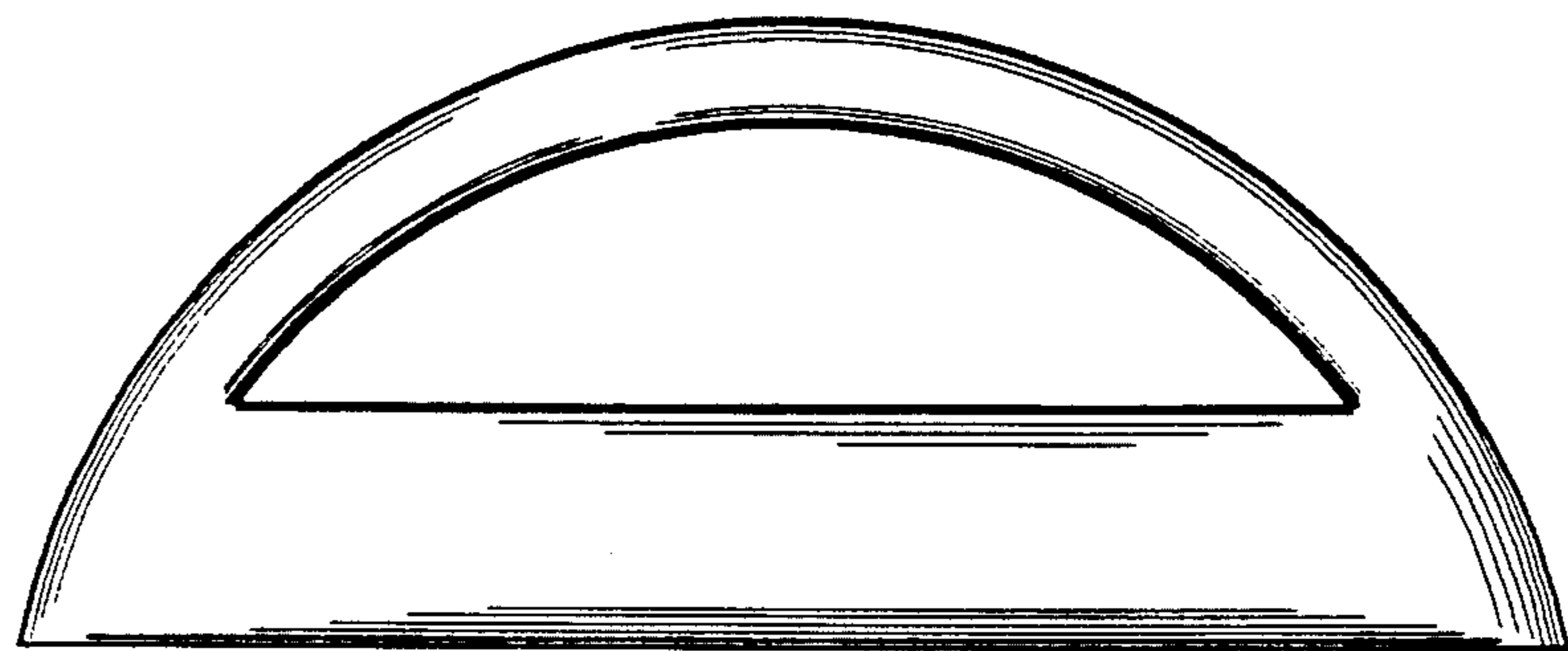


Fig. 4

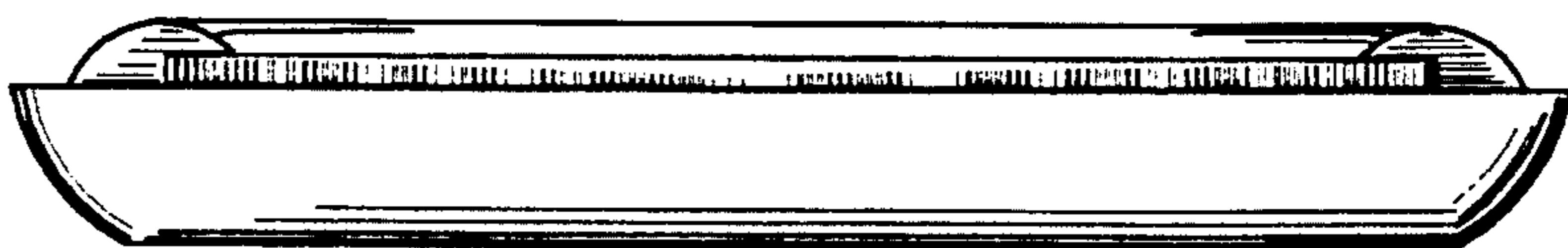


Fig. 5

