



US00D340397S

United States Patent [19]

[11] Patent Number: **Des. 340,397**

Demers

[45] Date of Patent: **** Oct. 19, 1993**

[54] **CONTOUR SANDER**

4,542,610 9/1985 Weimar D25/124
4,845,901 7/1989 Hamlin 51/391

[76] Inventor: **Michael J. Demers**, 75 Cambridge St., Lawrence, Mass. 01843

OTHER PUBLICATIONS

Anchor Plastics Catalog, 1960, cover page, Extrusions.

[**] Term: **14 Years**

Primary Examiner—Bernard Ansher

[21] Appl. No.: **703,335**

Assistant Examiner—P. Hyder

[22] Filed: **May 21, 1991**

Attorney, Agent, or Firm—Edward A. Gordon

[52] U.S. Cl. **D8/90**

[58] Field of Search D8/90, 91, 14; D21/108; D25/121, 122, 124; 51/358, 359, 380, 391, 392

[57] CLAIM

The ornamental design for a contour sander, as shown and described.

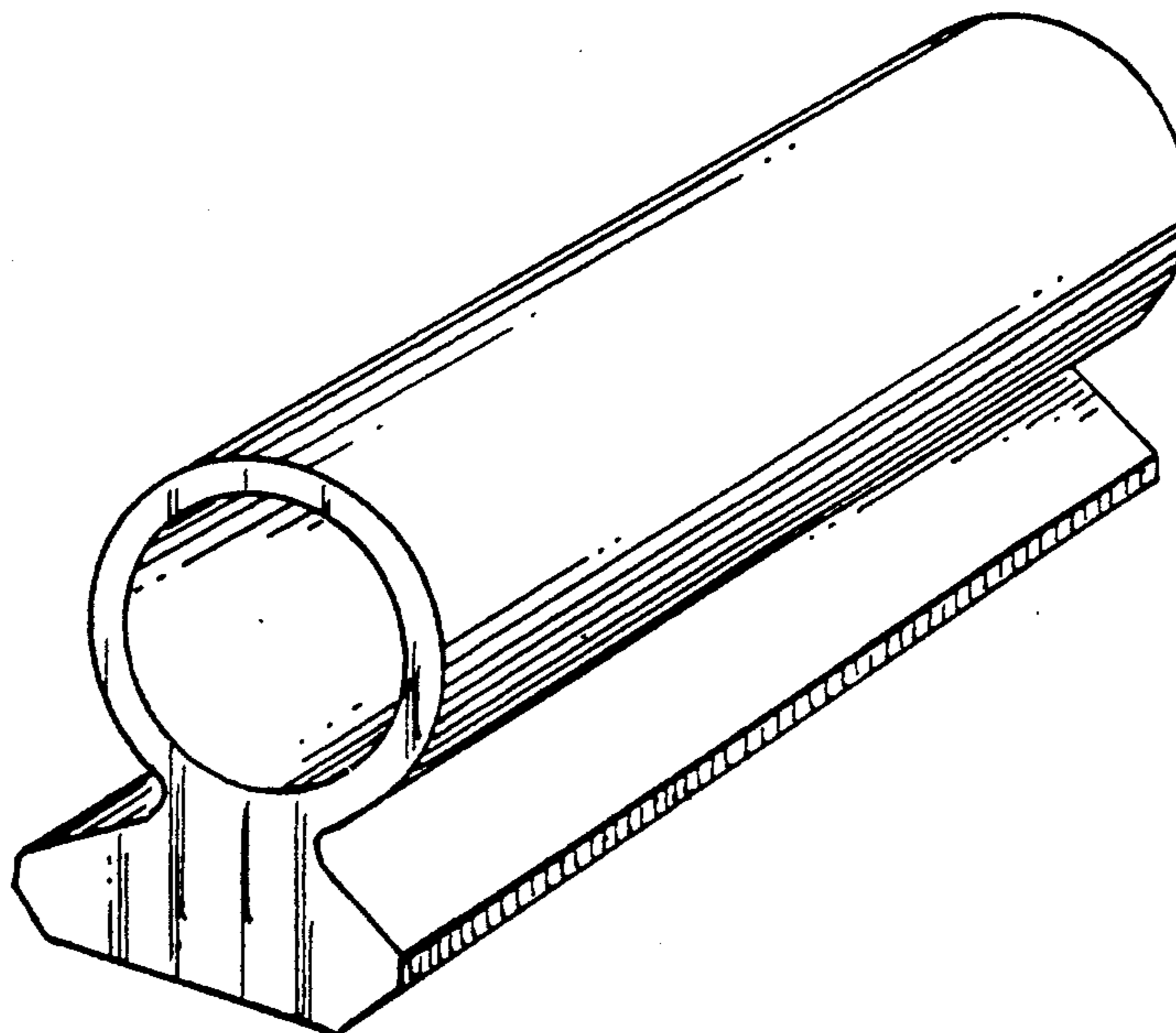
[56] References Cited

U.S. PATENT DOCUMENTS

148,698	3/1874	Higgins	51/393
D. 218,260	8/1970	Westervelt	D25/124
D. 219,726	1/1971	Van Horn	D8/91
D. 269,637	7/1983	Challis	D25/121
1,839,557	1/1932	Hilwig	51/392
1,927,574	9/1933	Park	51/392
3,355,795	12/1967	Clark	D25/122
3,411,305	11/1968	Cella	D25/124
4,441,301	4/1984	Benson	D25/122

DESCRIPTION

FIG. 1 is a perspective view of a manual contour sander showing my new design;
FIG. 2 is a side elevational view of the right side of FIG. 1;
FIG. 3 is a side elevational view of the left side of FIG. 1;
FIG. 4 is a top plan view thereof;
FIG. 5 is a front elevational view of FIG. 1; and,
FIG. 6 is a rear elevational view thereof.



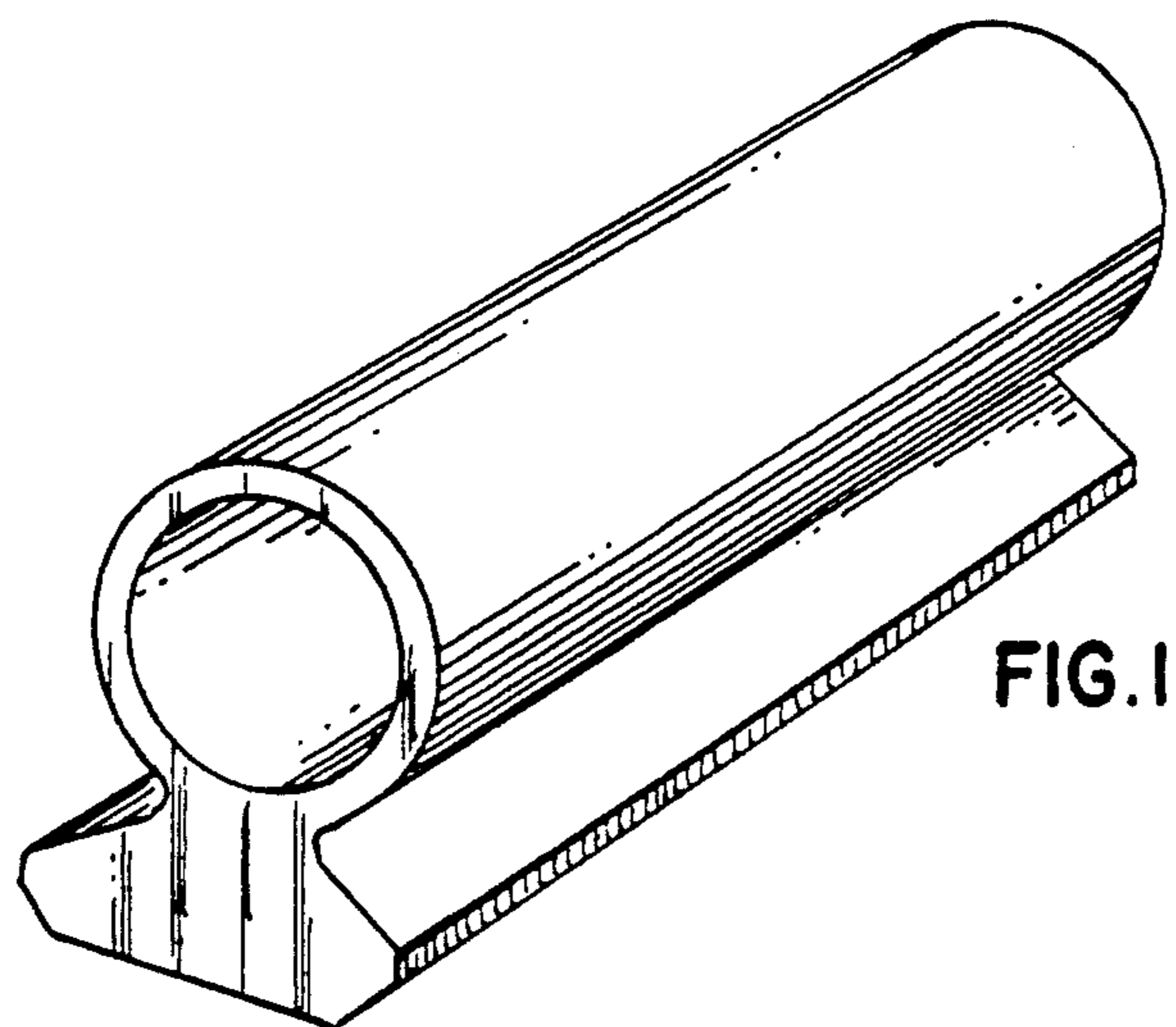


FIG. 1

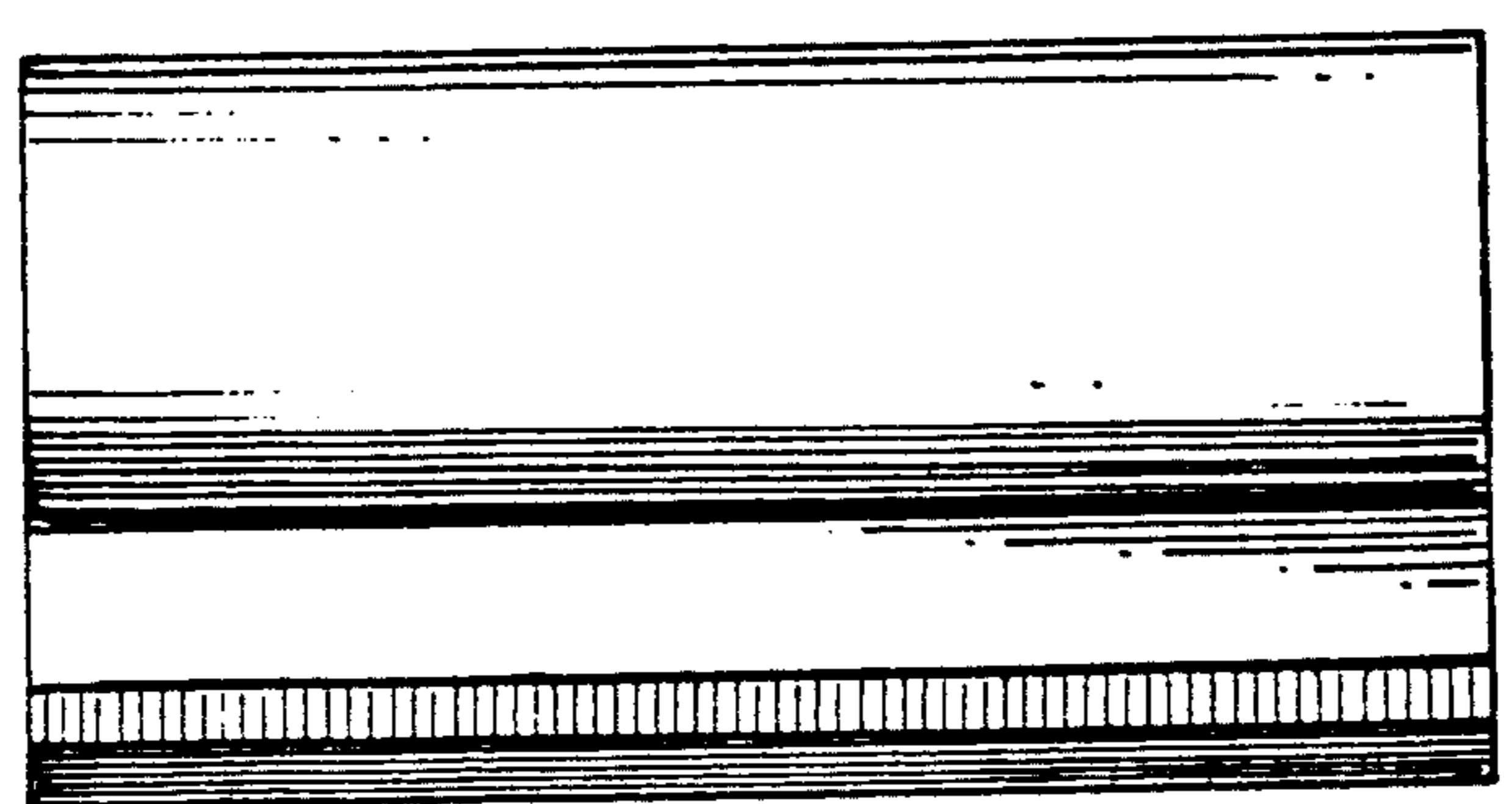


FIG. 2

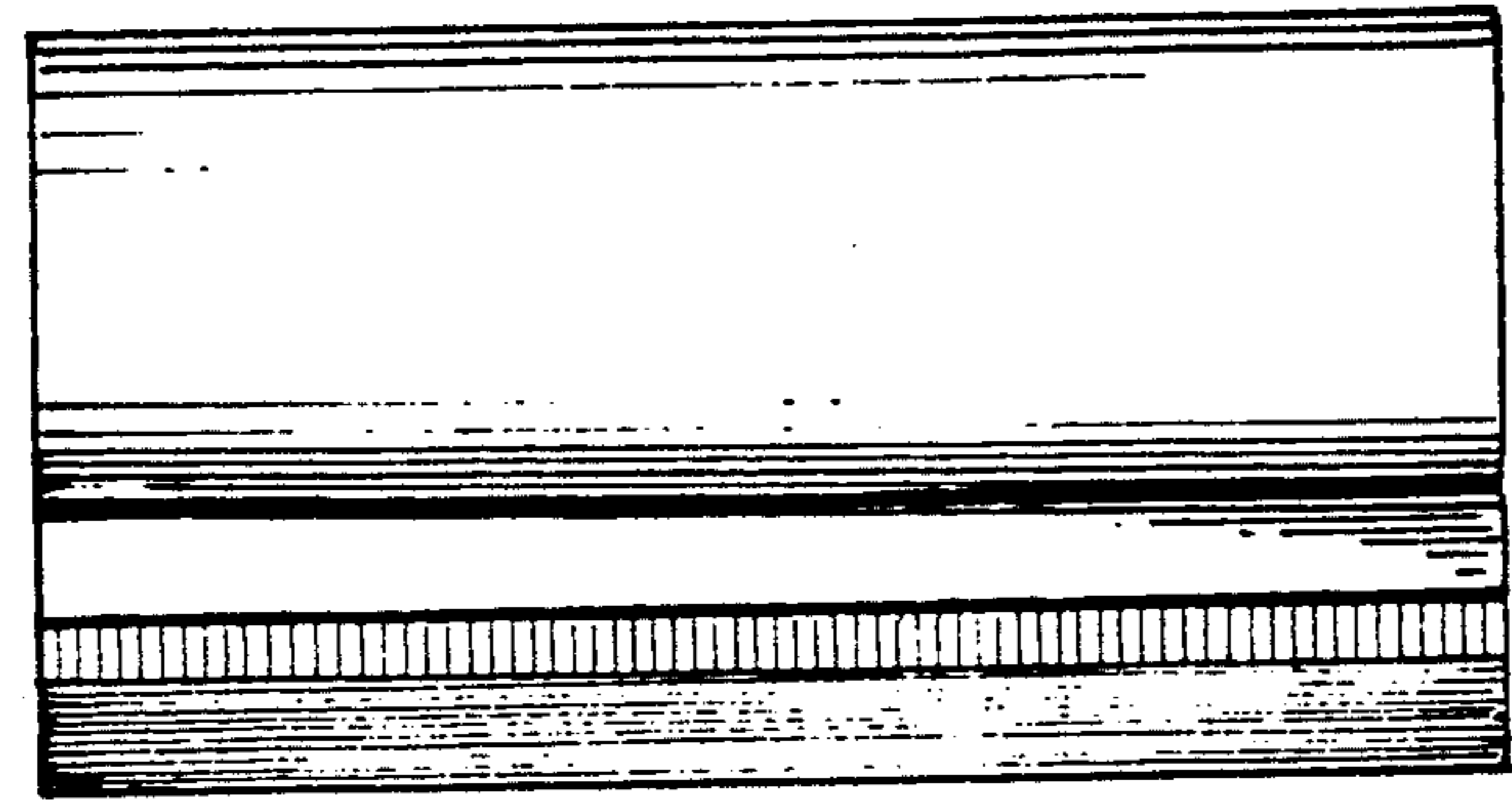


FIG. 3

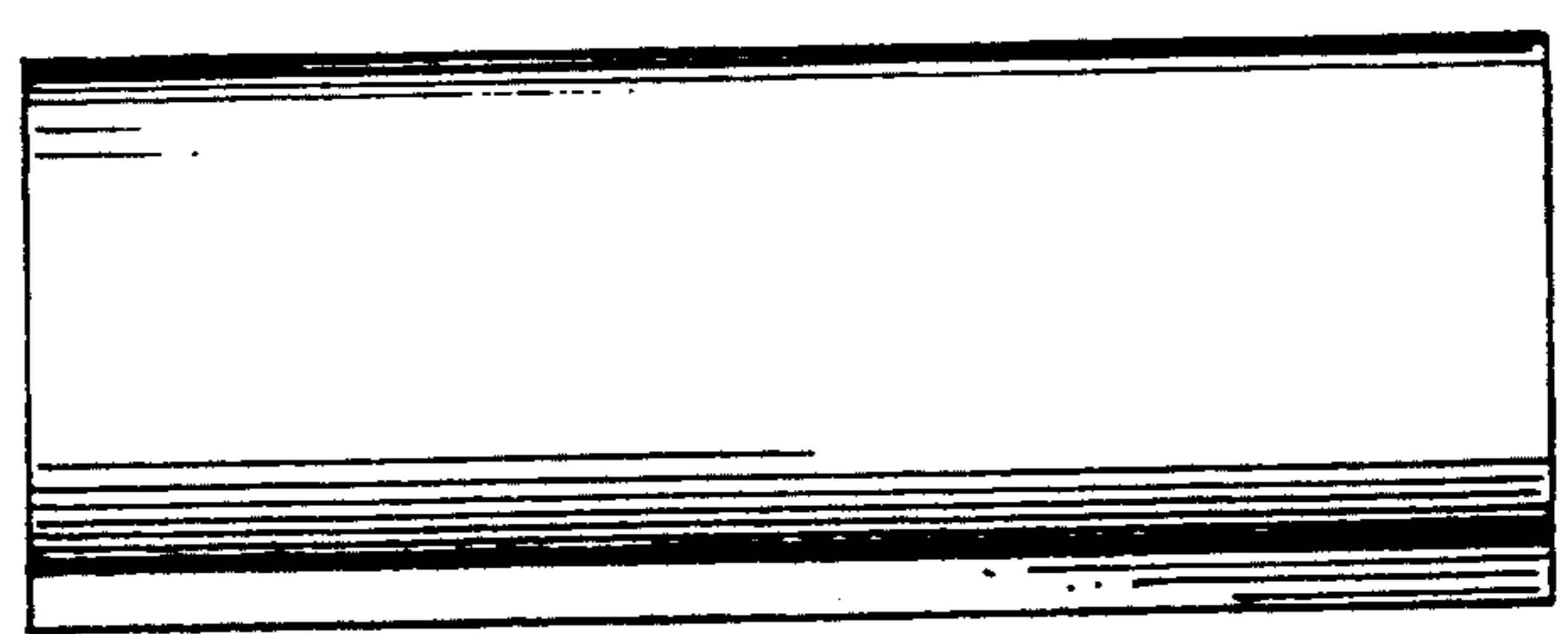


FIG. 4

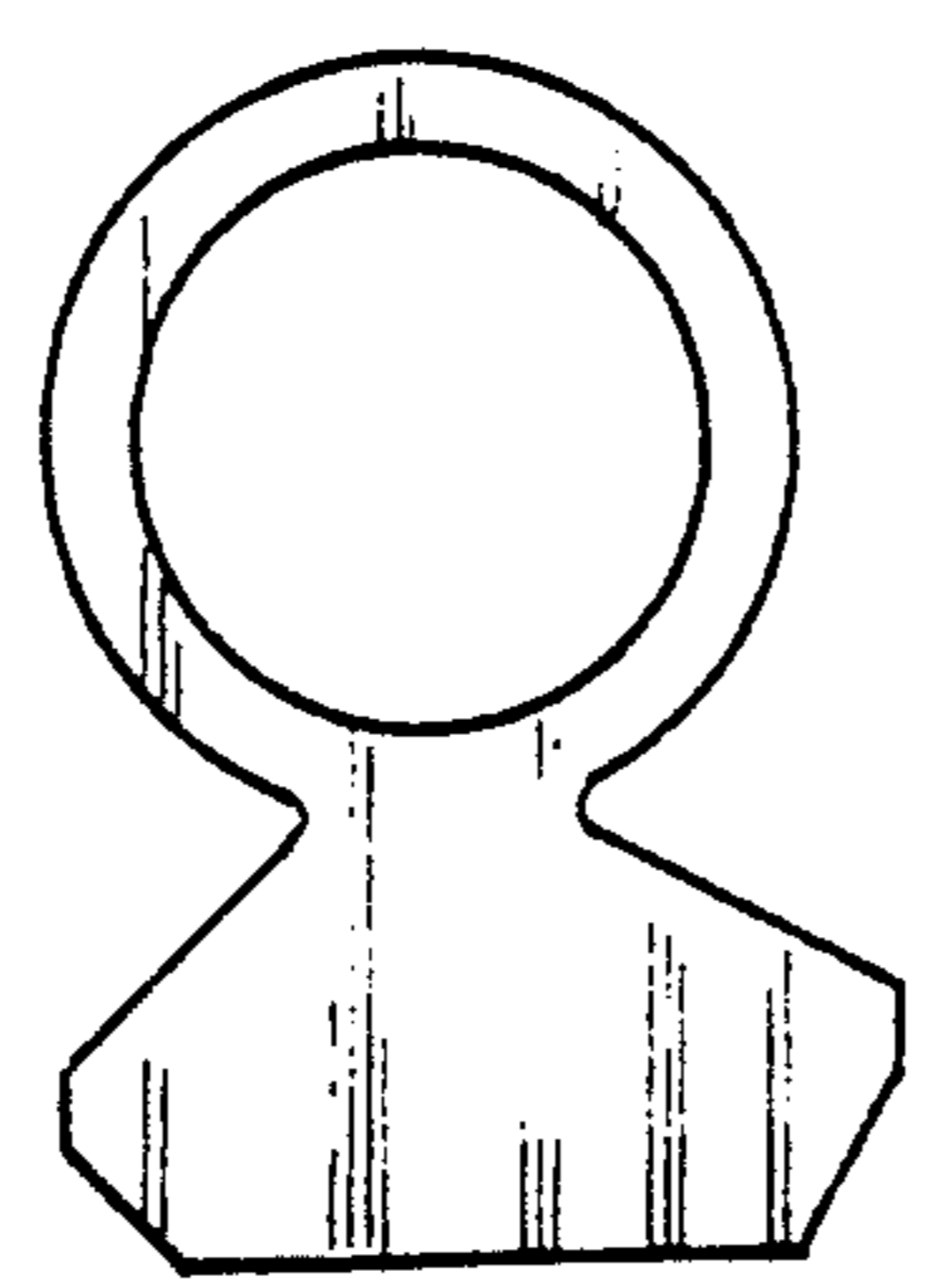


FIG. 5

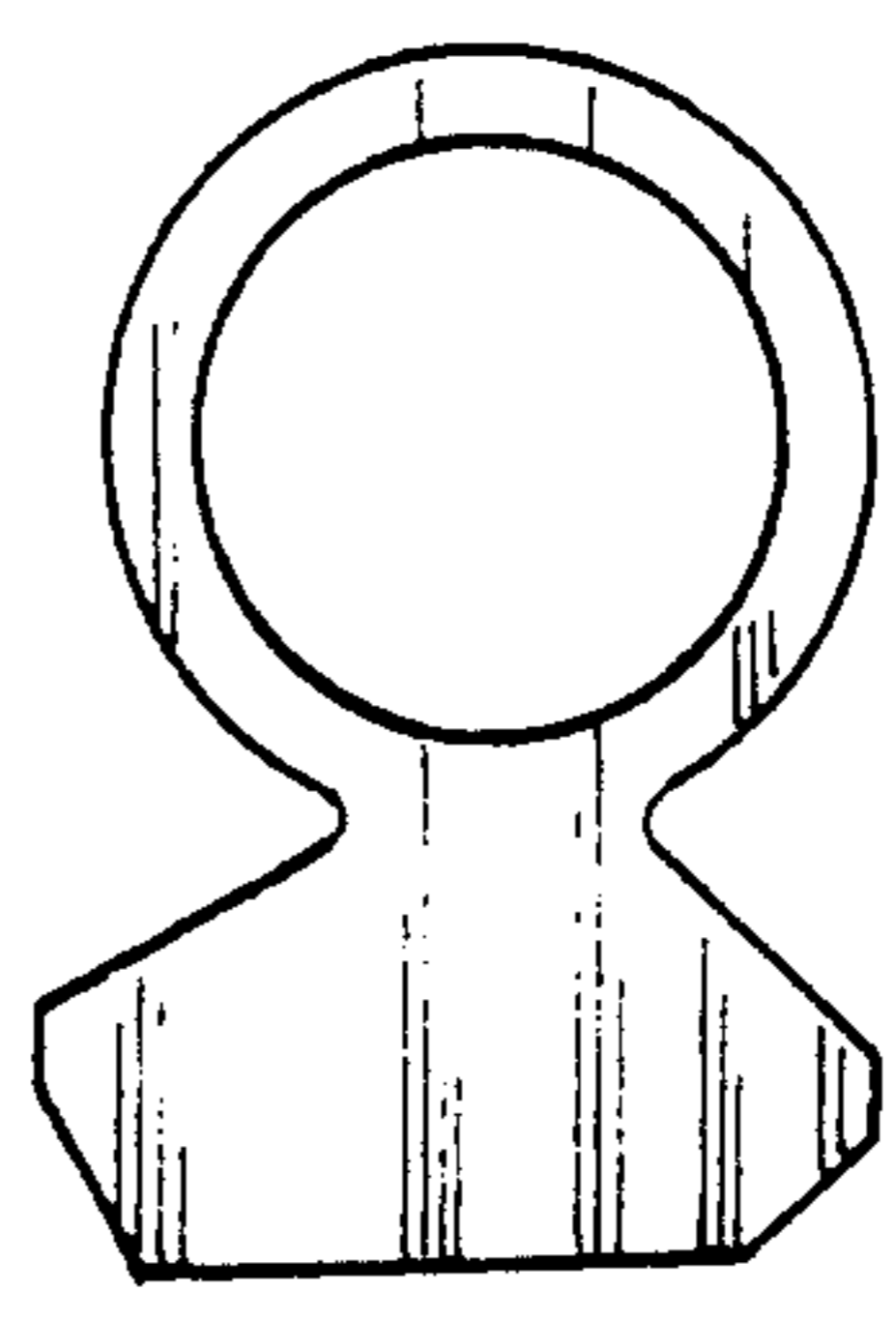


FIG. 6