



US00D340396S

United States Patent [19]
Ichikawa

[11] **Patent Number: Des. 340,396**

[45] **Date of Patent: ** Oct. 19, 1993**

[54] **ELECTRIC SCREWDRIVER**

[75] **Inventor: Kiyotaka Ichikawa, Anjo, Japan**

[73] **Assignee: Makita Corporation, Anjo, Japan**

[**] **Term: 14 Years**

[21] **Appl. No.: 873,077**

[22] **Filed: Apr. 24, 1992**

[30] **Foreign Application Priority Data**

Oct. 31, 1991 [JP] Japan 3-33230

[52] **U.S. Cl. D8/68**

[58] **Field of Search D8/61, 68; 173/48, 93,
173/96, 170; 81/57, 57.11, 57.13**

[56] **References Cited**

U.S. PATENT DOCUMENTS

D. 288,769 3/1987 Doman D8/68

D. 320,917 10/1991 Fushiya et al. D8/68
D. 329,580 9/1992 Sasaki et al. D8/68

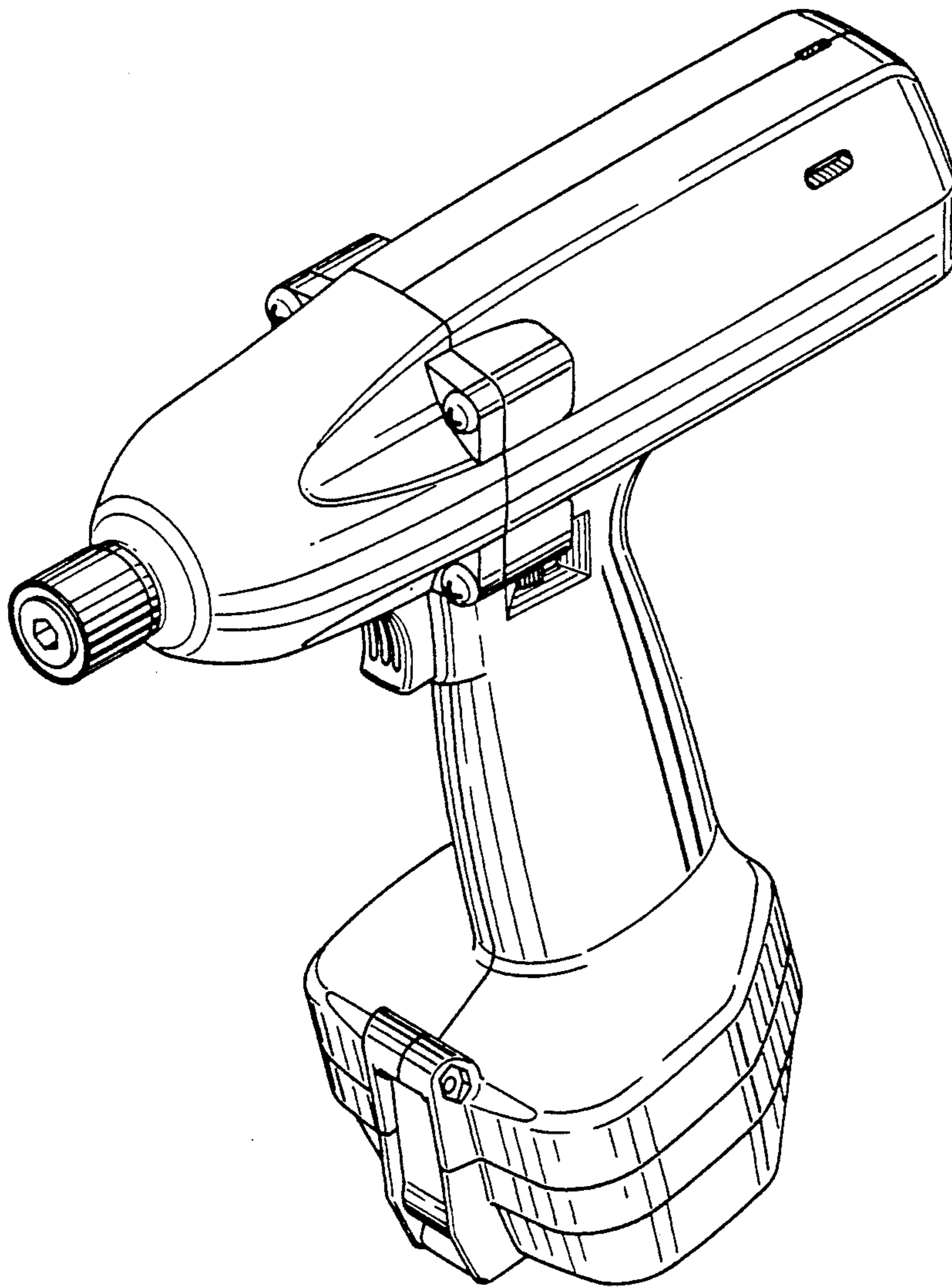
Primary Examiner—Alan P. Douglas
Assistant Examiner—Jeffry Musgrove
Attorney, Agent, or Firm—Dennison, Meserole, Pollack & Scheiner

[57] **CLAIM**

The ornamental design for an electric screwdriver, as shown and described.

DESCRIPTION

FIG. 1 is a perspective view of an electric screwdriver showing my new design;
FIG. 2 is a front elevational view thereof;
FIG. 3 is a rear elevational view thereof;
FIG. 4 is a left side elevational view thereof;
FIG. 5 is a right side elevational view thereof;
FIG. 6 is a top plan view thereof; and,
FIG. 7 is a bottom plan view thereof.



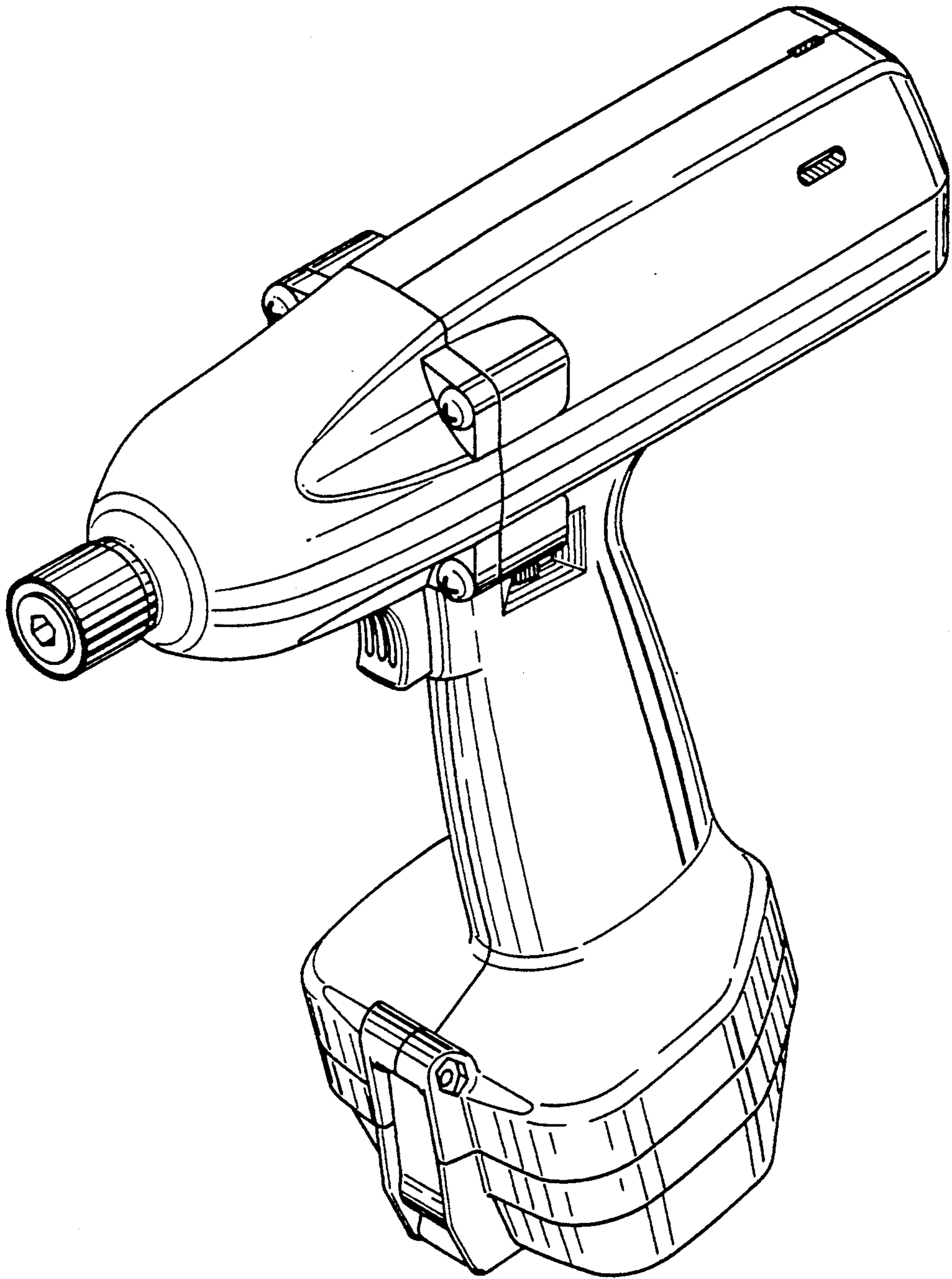


FIG. 1

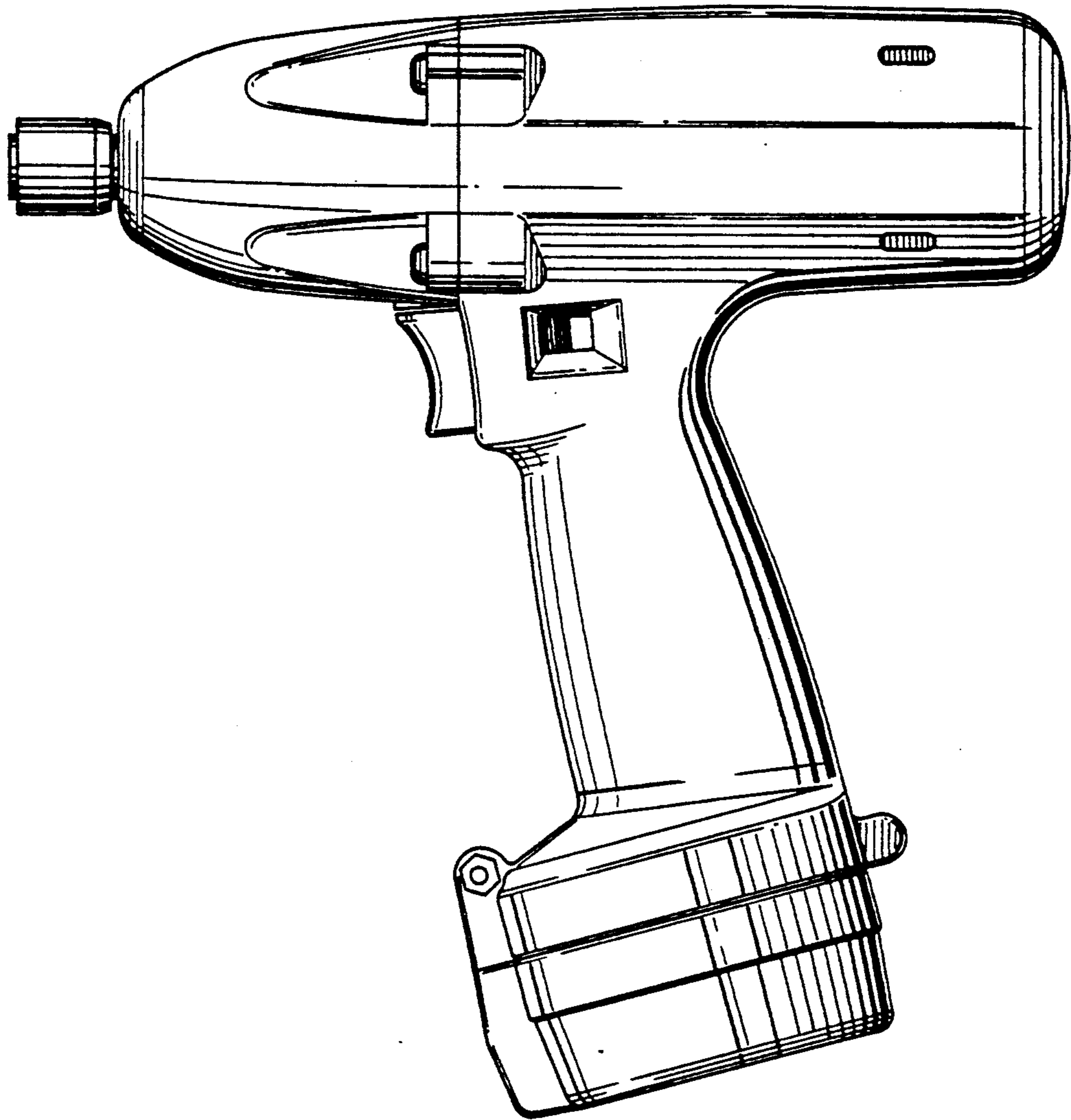


FIG. 2

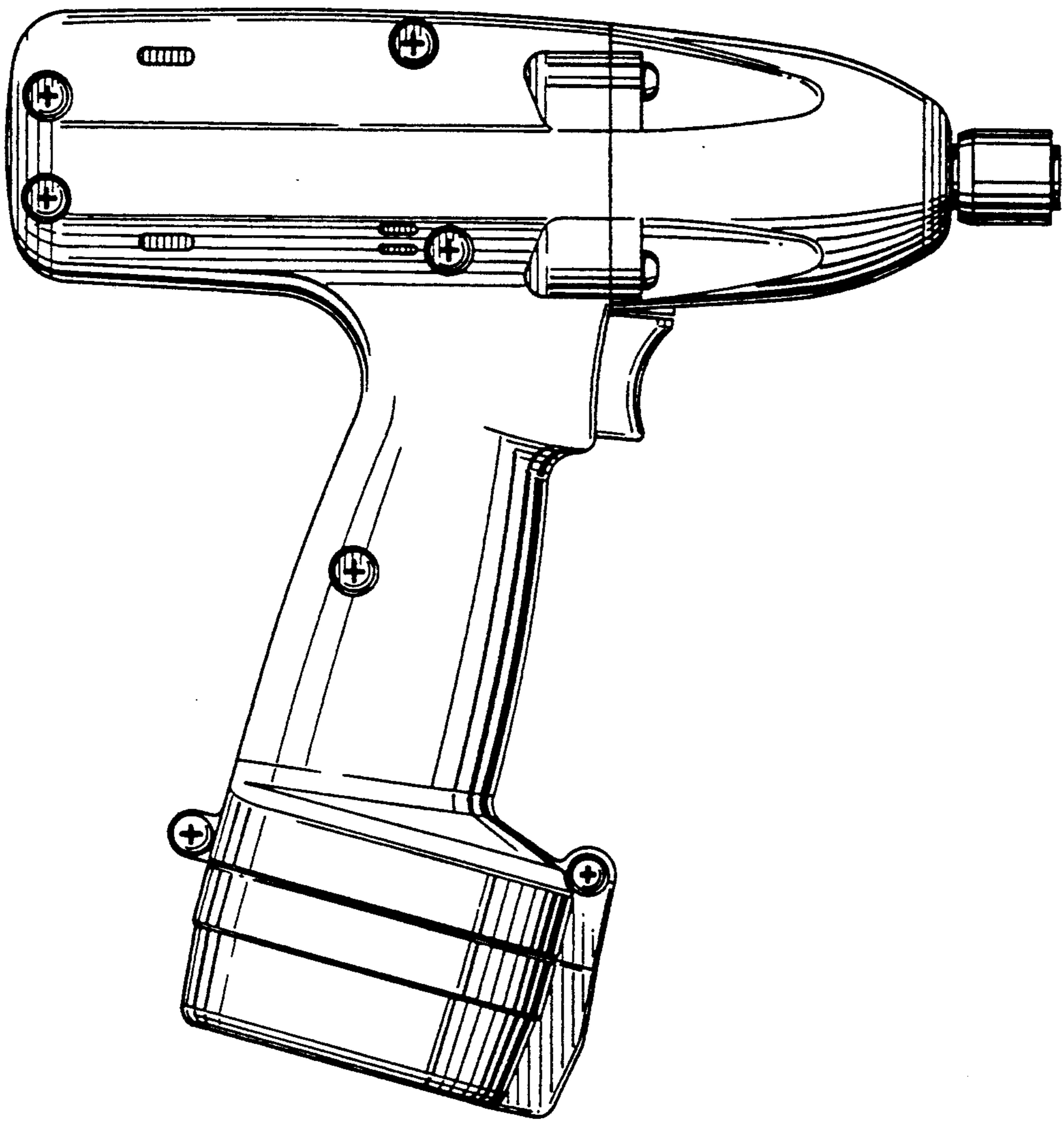


FIG. 3

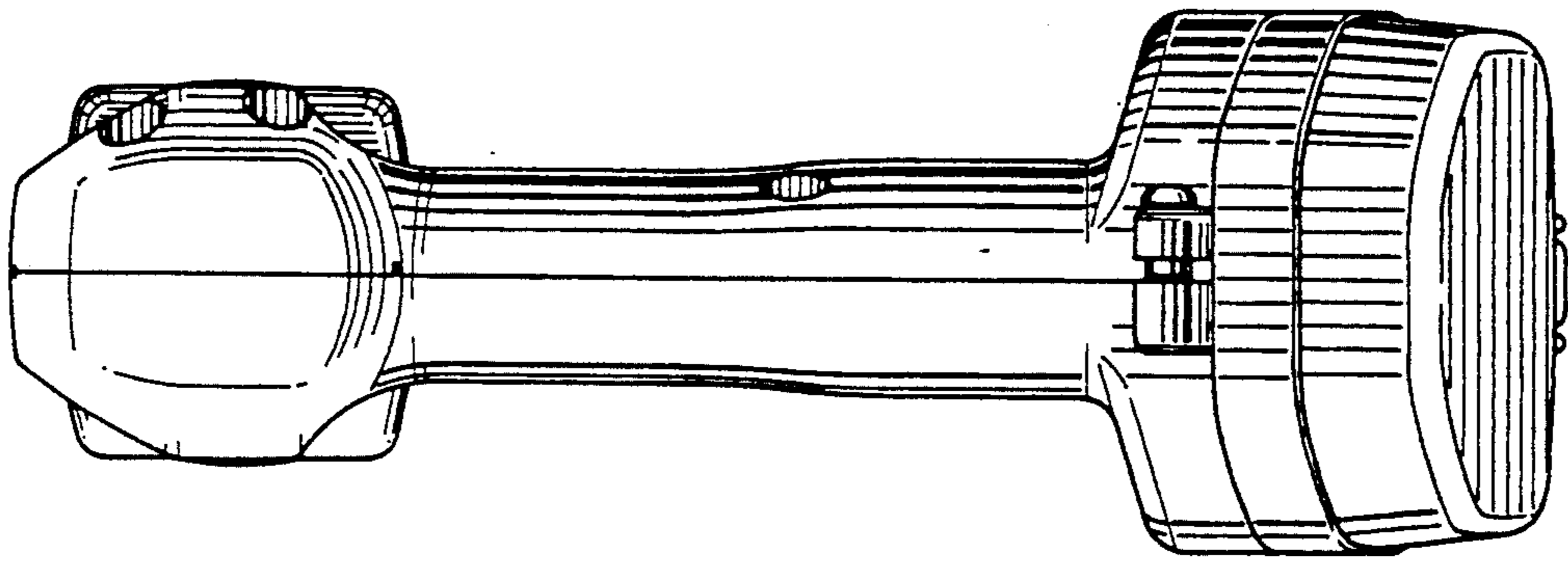


FIG. 5

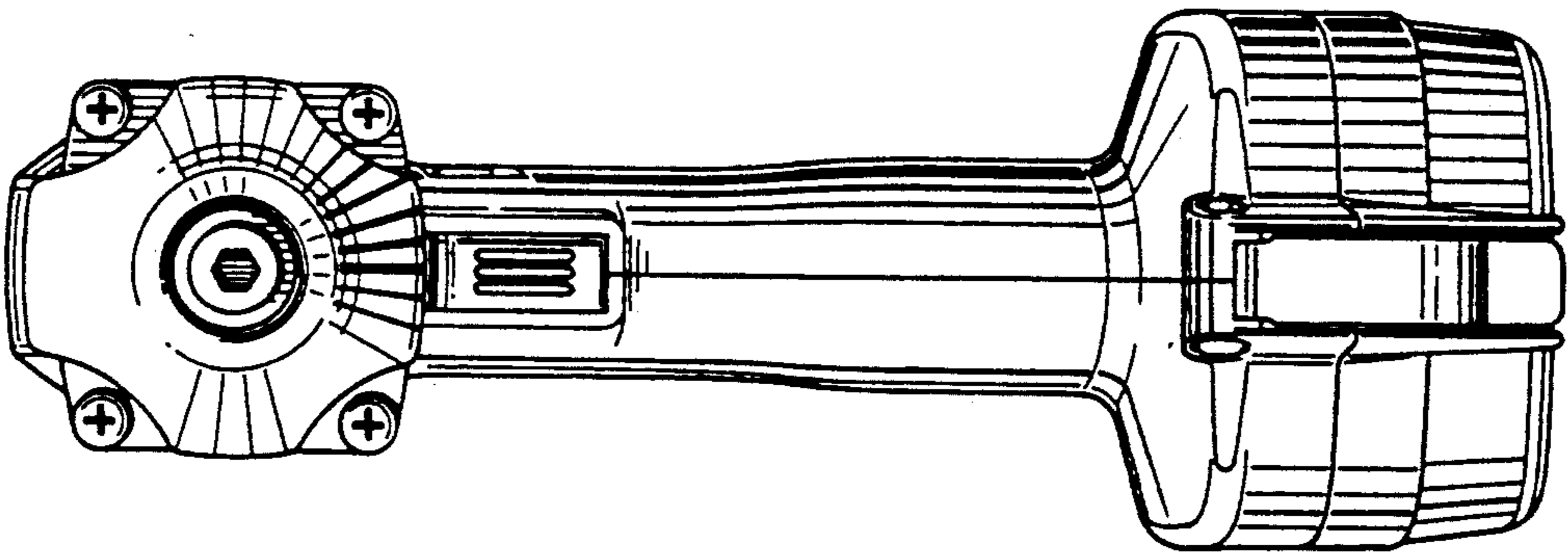


FIG. 4

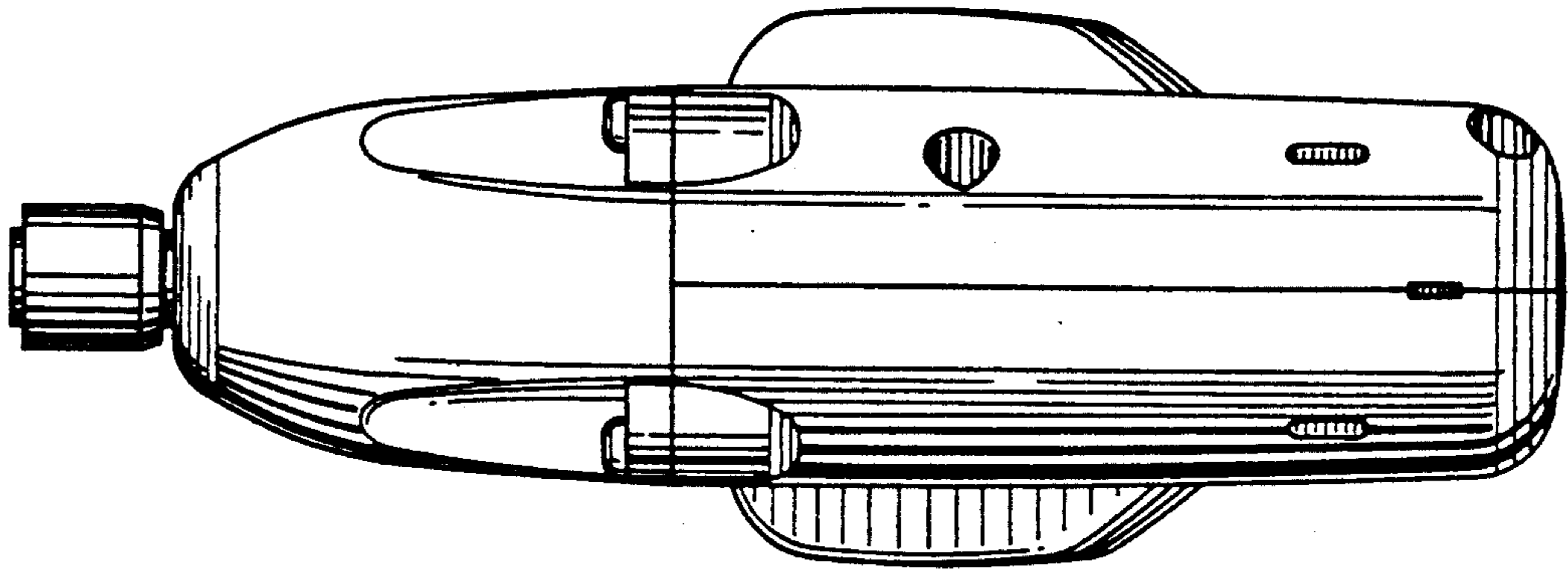


FIG. 6

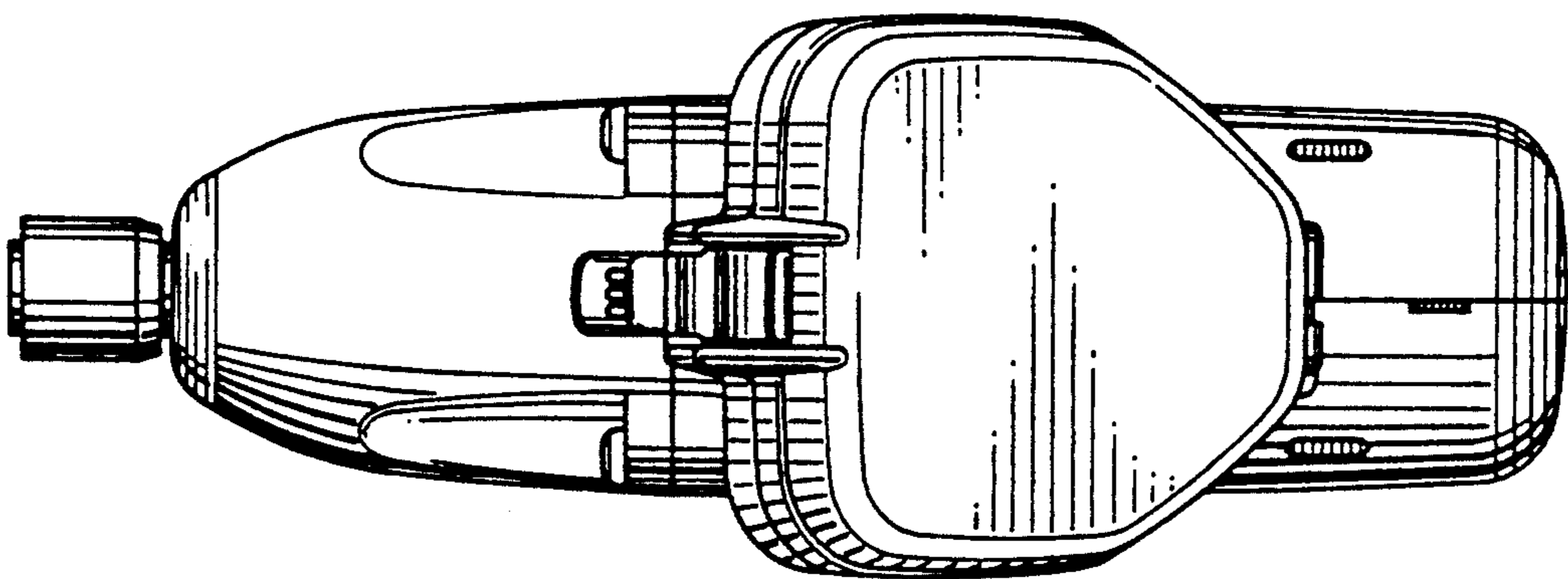


FIG. 7