



US00D340395S

United States Patent [19] Tanaka

[11] Patent Number: **Des. 340,395**

[45] Date of Patent: **** Oct. 19, 1993**

[54] **PORTABLE ELECTRIC SCREWDRIVER**

[75] Inventor: **Hideki Tanaka, Anjo, Japan**

[73] Assignee: **Makita Corporation, Anjo, Japan**

[**] Term: **14 Years**

[21] Appl. No.: **841,442**

[22] Filed: **Feb. 26, 1992**

[30] **Foreign Application Priority Data**

Sep. 12, 1991 [JP] Japan 3-27765

[52] U.S. Cl. **D8/69**

[58] Field of Search D8/68, 69, 61;
81/57.11, 57.13; 173/170; 408/124, 125

[56] **References Cited**

U.S. PATENT DOCUMENTS

D. 301,300 5/1989 Sasaki et al. D8/69

D. 320,918 10/1991 Mochida D8/68

Primary Examiner—Alan P. Douglas

Assistant Examiner—J. H. Musgrove

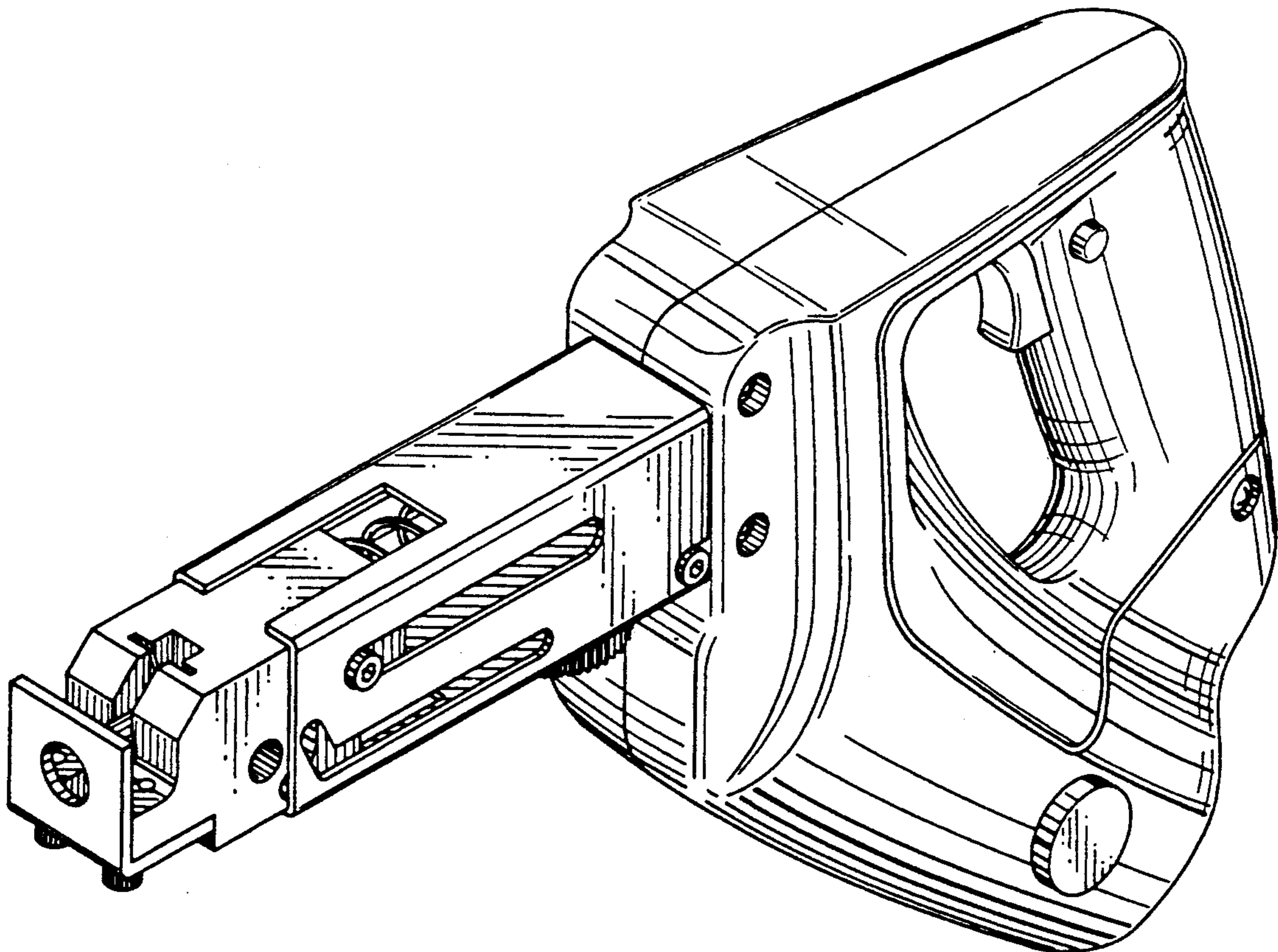
Attorney, Agent, or Firm—Dennison, Meserole, Pollack & Scheiner

[57] **CLAIM**

The ornamental design for a portable electric screwdriver, as shown and described.

DESCRIPTION

FIG. 1 is a perspective view of a portable electric screwdriver showing my new design; FIG. 2 is a front elevational view thereof; FIG. 3 is a rear elevational view thereof; FIG. 4 is a left side elevational view thereof; FIG. 5 is a right side elevational view thereof; FIG. 6 is a top plan view thereof; and, FIG. 7 is a bottom plan view thereof.



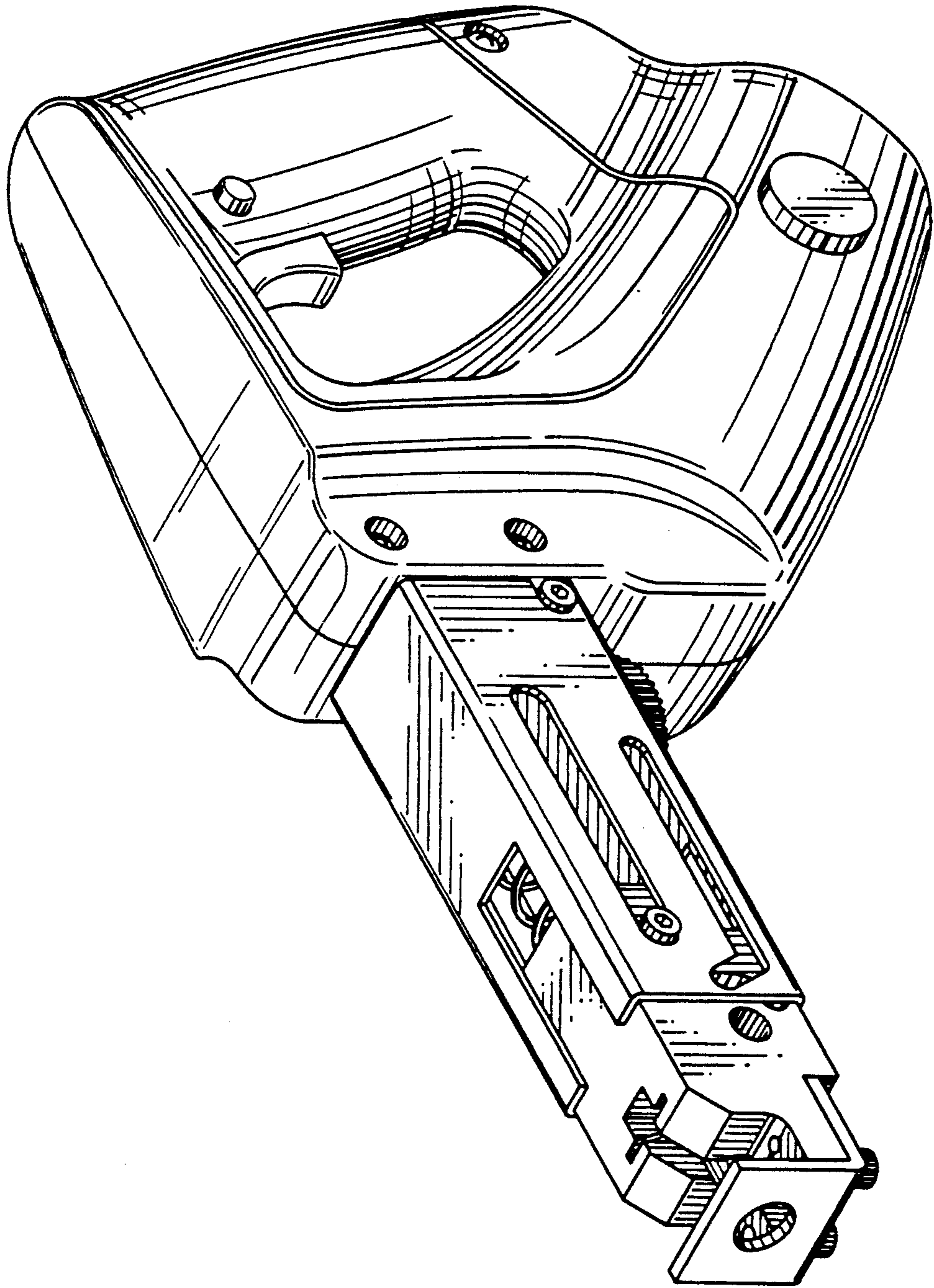


FIG. 1

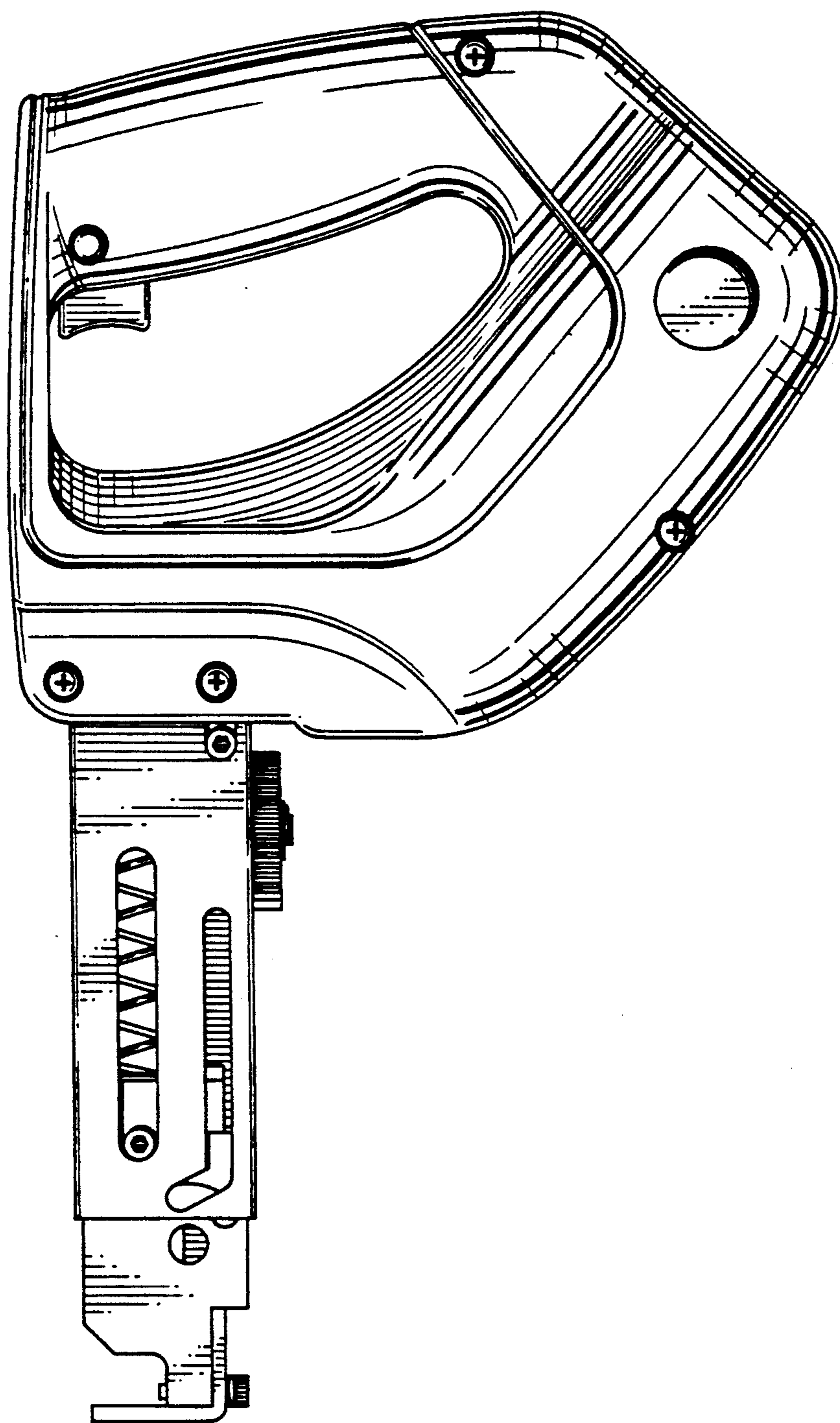


FIG. 2

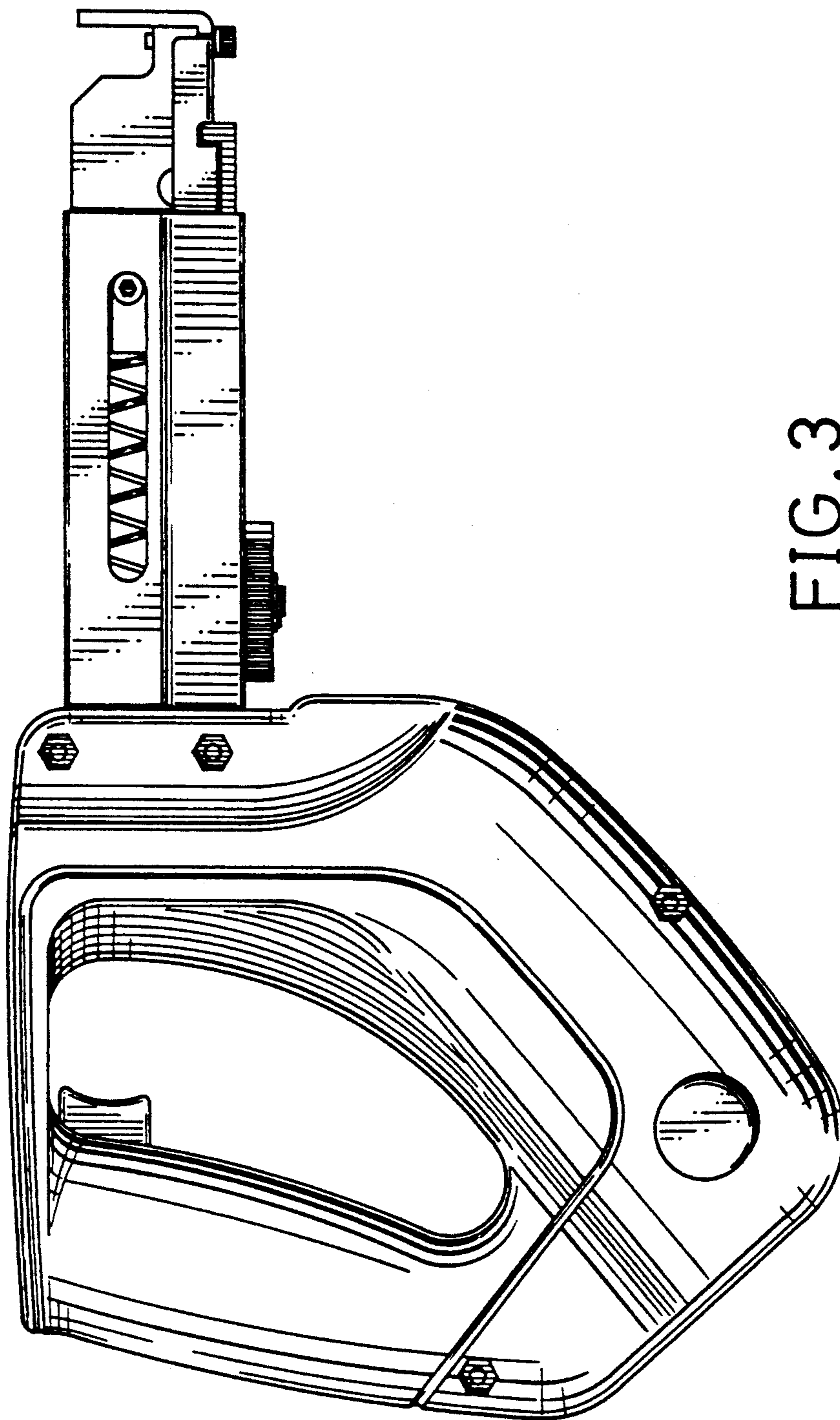


FIG. 3

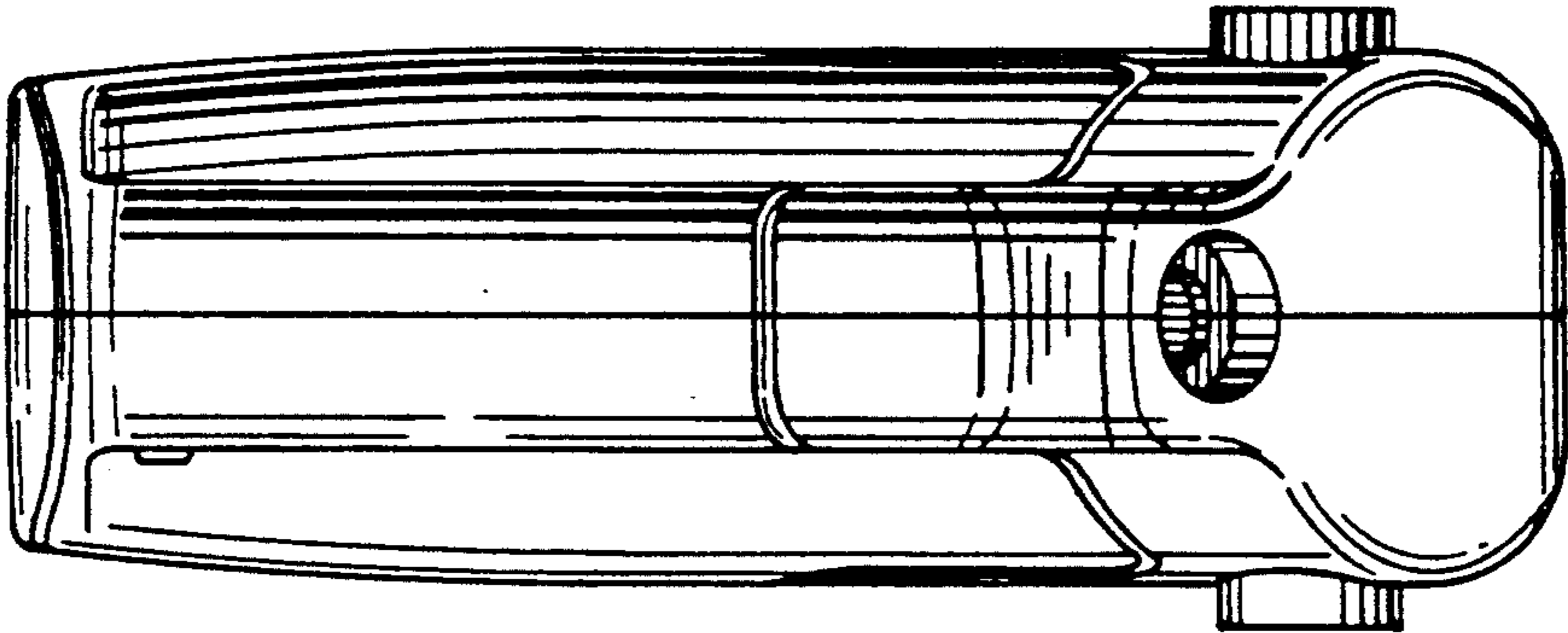


FIG. 5

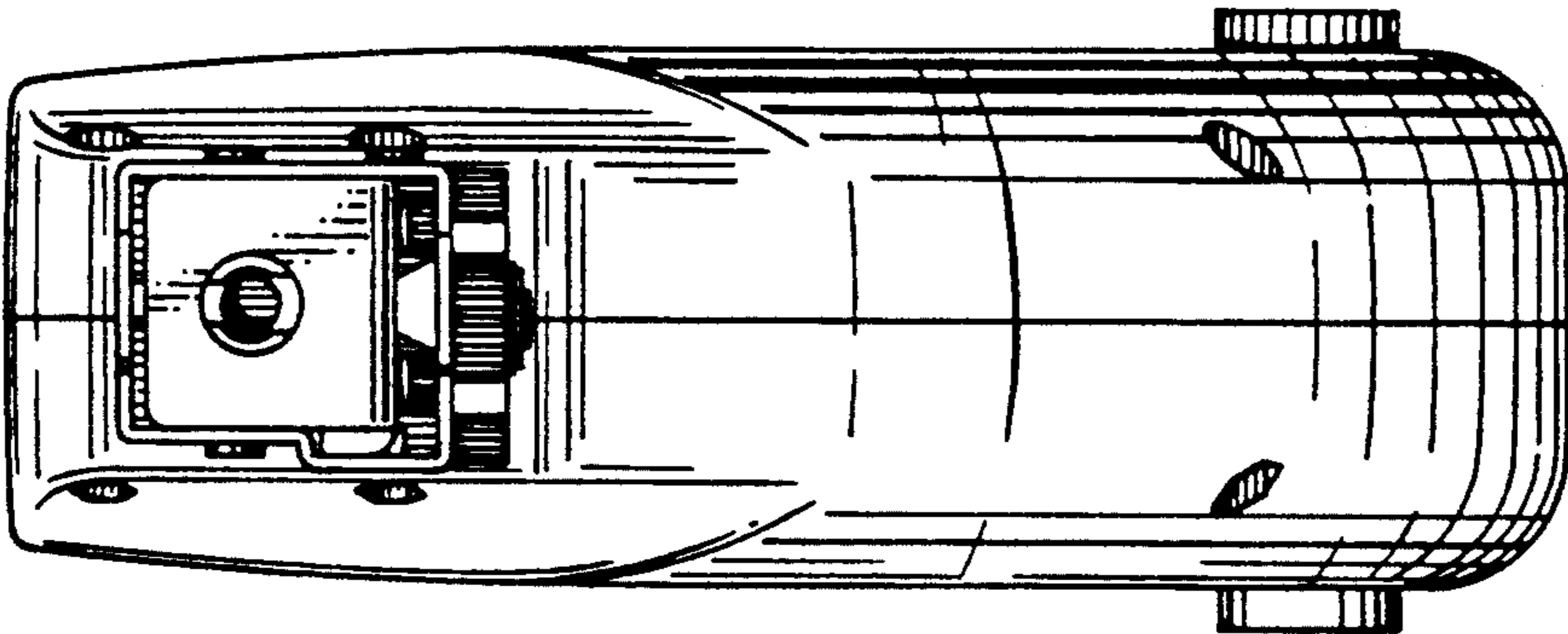


FIG. 4

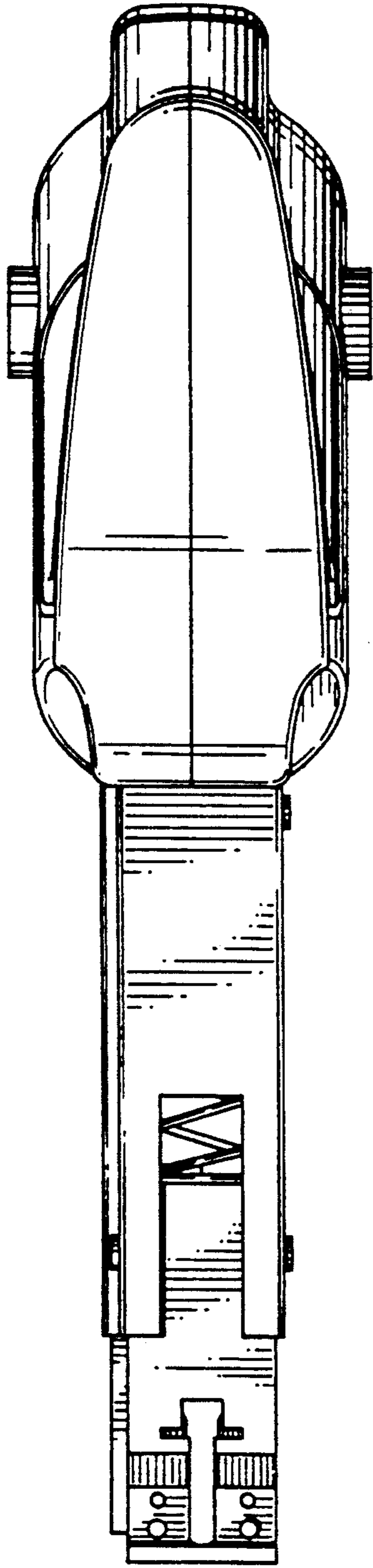


FIG. 6

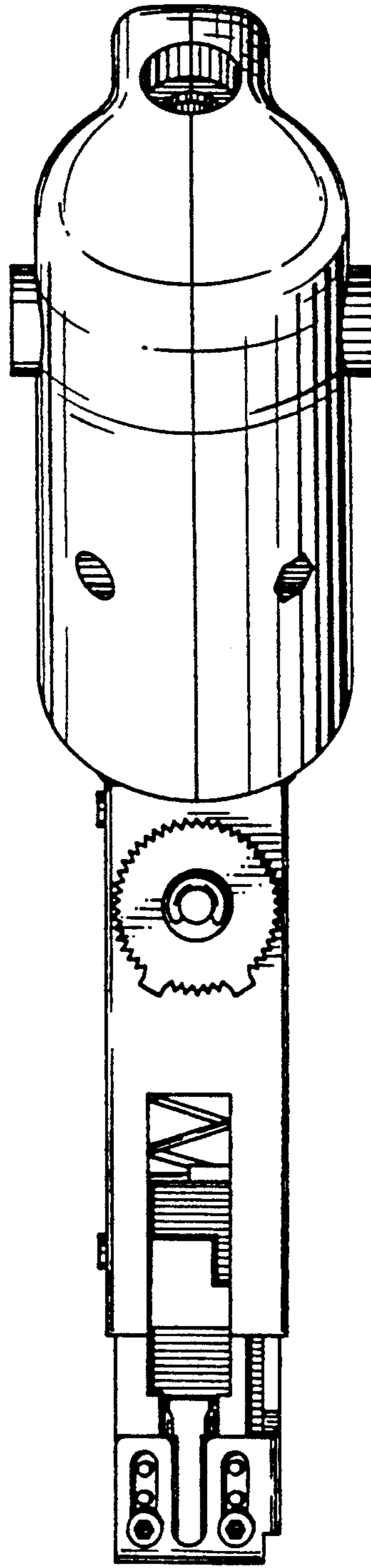


FIG. 7