



US00D340394S

United States Patent [19] Okumura

[11] Patent Number: **Des. 340,394**

[45] Date of Patent: **** Oct. 19, 1993**

[54] PORTABLE ELECTRIC DRILL

- [75] Inventor: **Michio Okumura, Anjo, Japan**
- [73] Assignee: **Makita Corporation, Anjo, Japan**
- [**] Term: **14 Years**
- [21] Appl. No.: **857,294**
- [22] Filed: **Mar. 24, 1992**

[30] Foreign Application Priority Data

- Sep. 30, 1991 [JP] Japan 3-29639
- Oct. 11, 1991 [JP] Japan 3-30832
- [52] U.S. Cl. **D8/68**
- [58] Field of Search D8/61, 68, 69;
81/57.11, 57.13; 173/48, 90-93.7, 170; 408/124,
125

[56] References Cited

U.S. PATENT DOCUMENTS

- D. 296,655 7/1988 Yonezawa et al. .
- D. 320,917 10/1991 Fushiya et al. D8/68
- D. 332,208 1/1993 Sakamota et al. D8/68
- D. 333,080 2/1993 Fushiya et al. D8/68

FOREIGN PATENT DOCUMENTS

- 2-3380 2/1990 Japan .

OTHER PUBLICATIONS

Makita Catalog Page, printed Jun. 1990.

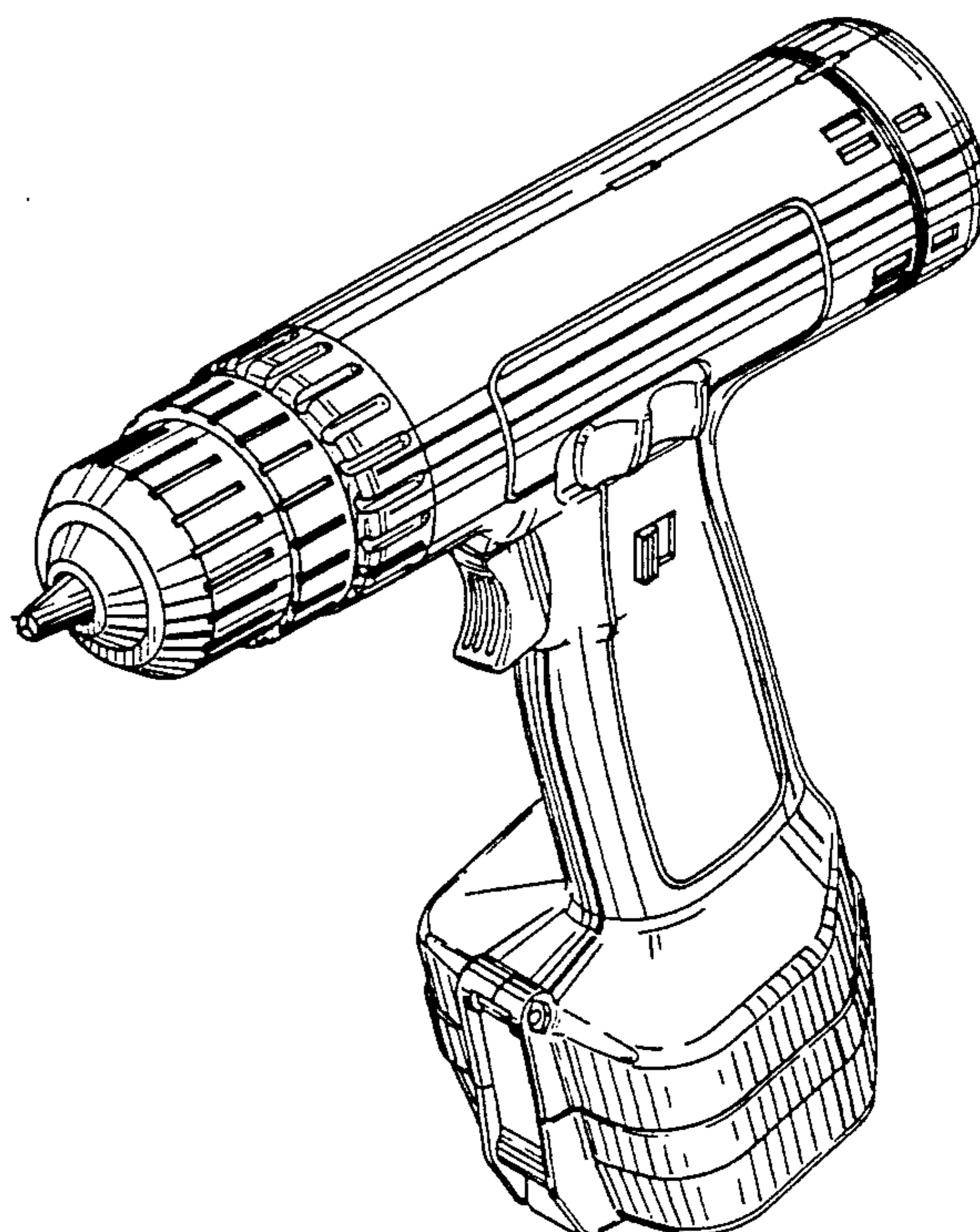
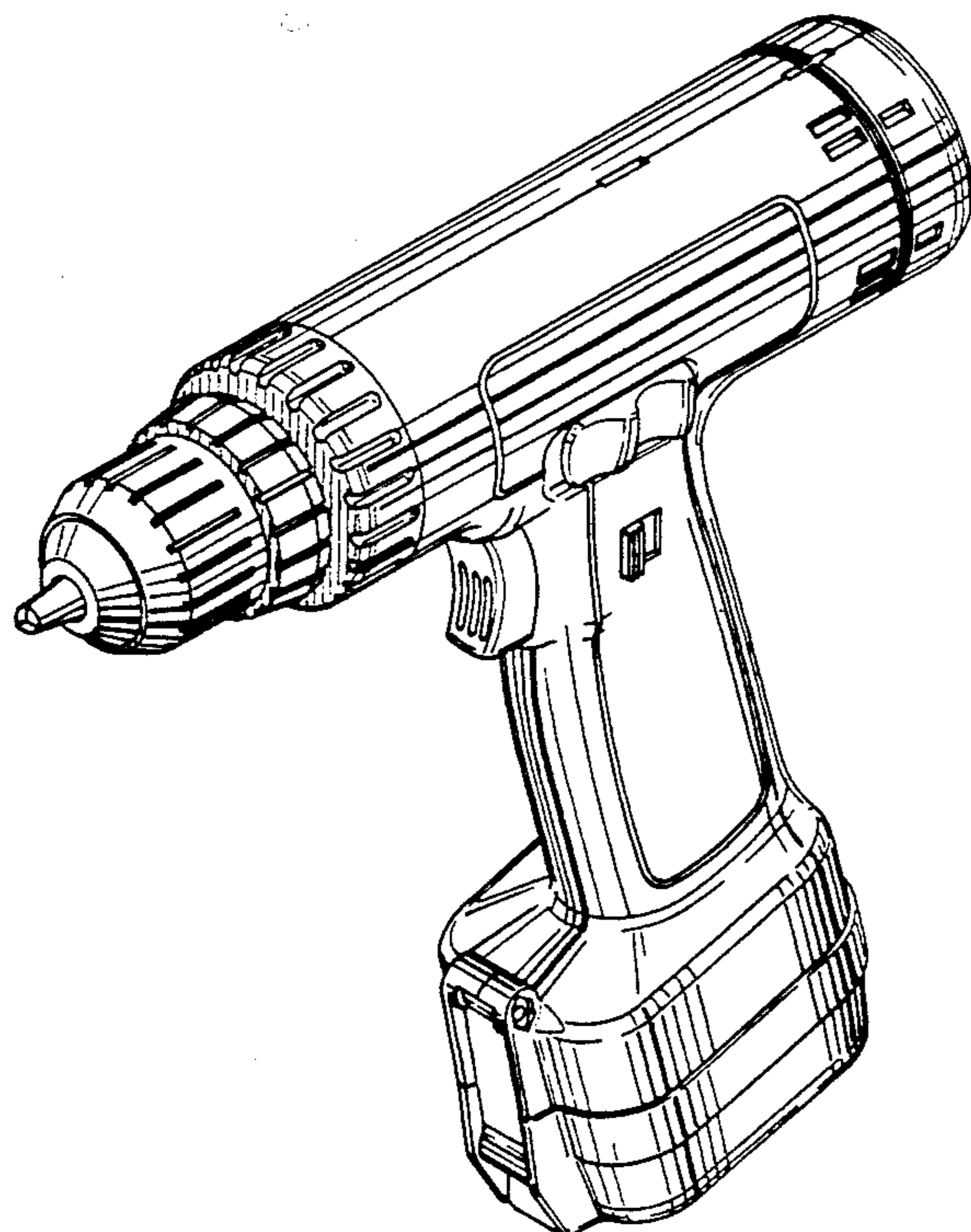
Primary Examiner—Alan P. Douglas
Assistant Examiner—J. H. Musgrove
Attorney, Agent, or Firm—Dennison, Meserole, Pollack & Scheiner

[57] CLAIM

The ornamental design for a portable electric drill, as shown and described.

DESCRIPTION

FIG. 1 is a perspective view of a portable electric drill showing my new design;
 FIG. 2 is a front elevational view thereof;
 FIG. 3 is a rear elevational view thereof;
 FIG. 4 is a left side elevational view thereof;
 FIG. 5 is a right side elevational view thereof;
 FIG. 6 is a top plan view thereof;
 FIG. 7 is a bottom plan view thereof;
 FIG. 8 is a perspective view of a second embodiment of the portable electric drill shown in FIG. 1;
 FIG. 9 is a front elevational view thereof;
 FIG. 10 is a rear elevational view thereof;
 FIG. 11 is a left side elevational view thereof;
 FIG. 12 is a right side elevational view thereof;
 FIG. 13 is a top plan view thereof; and,
 FIG. 14 is a bottom plan view thereof.



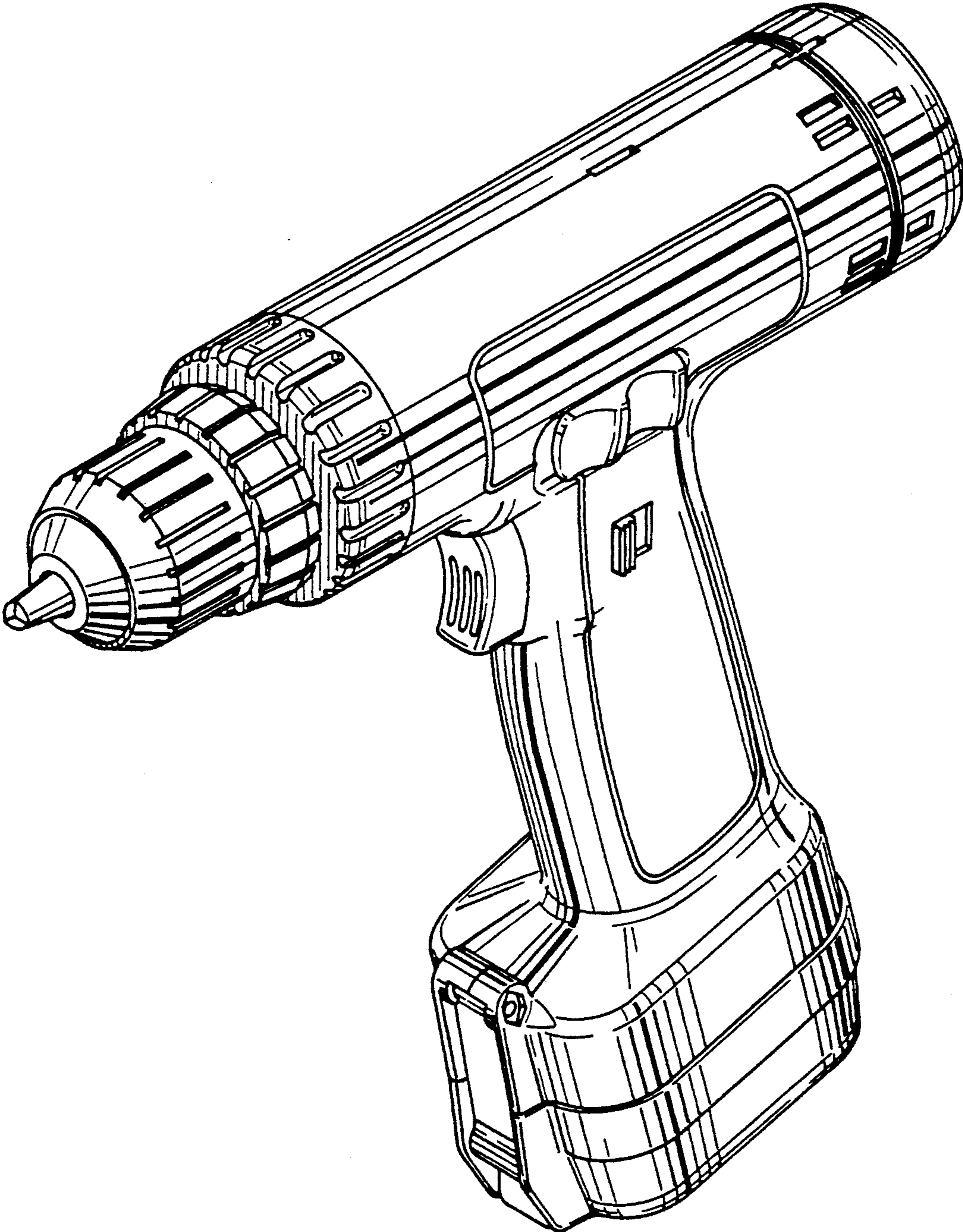


FIG. 1

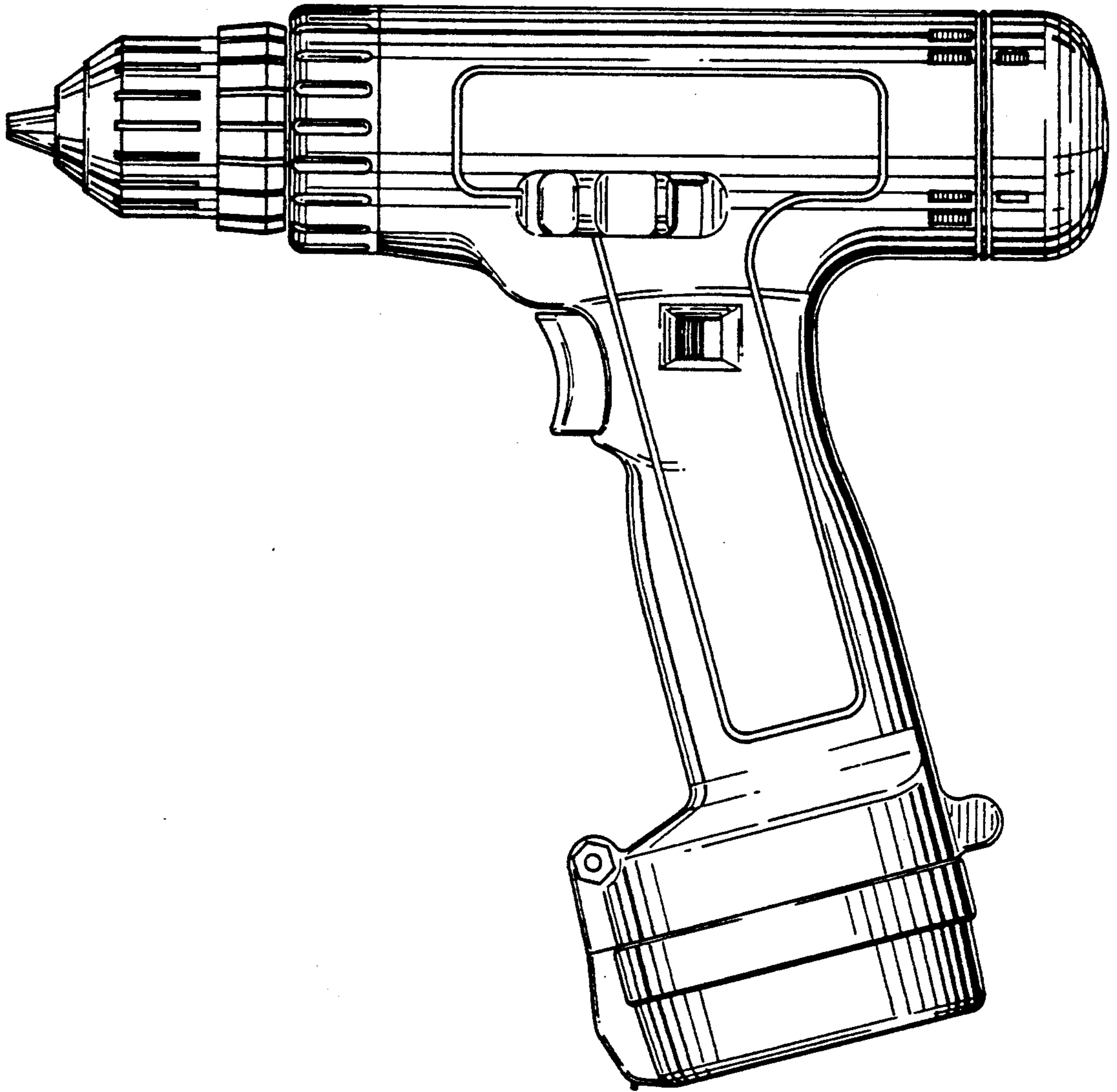


FIG. 2

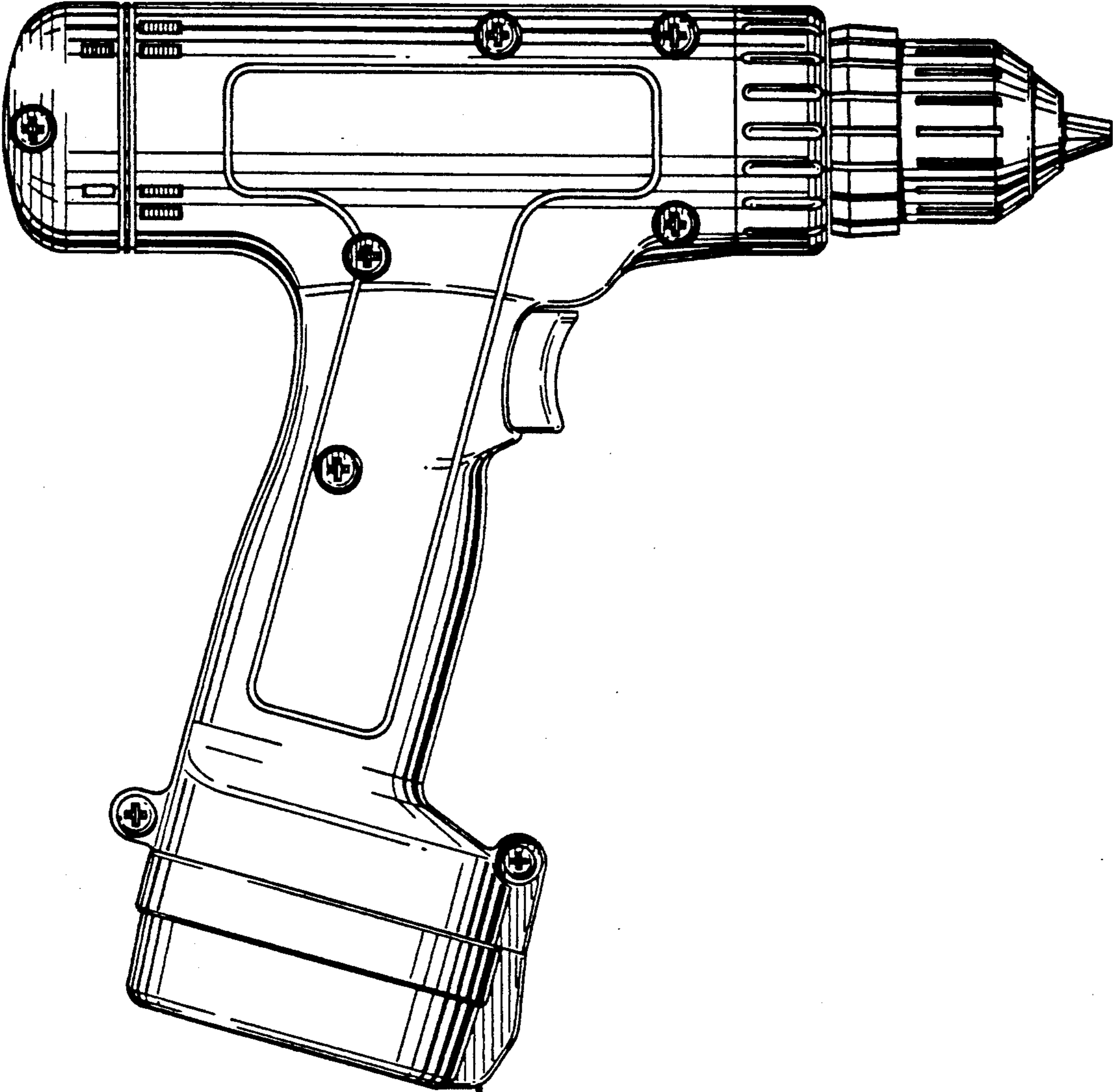


FIG. 3

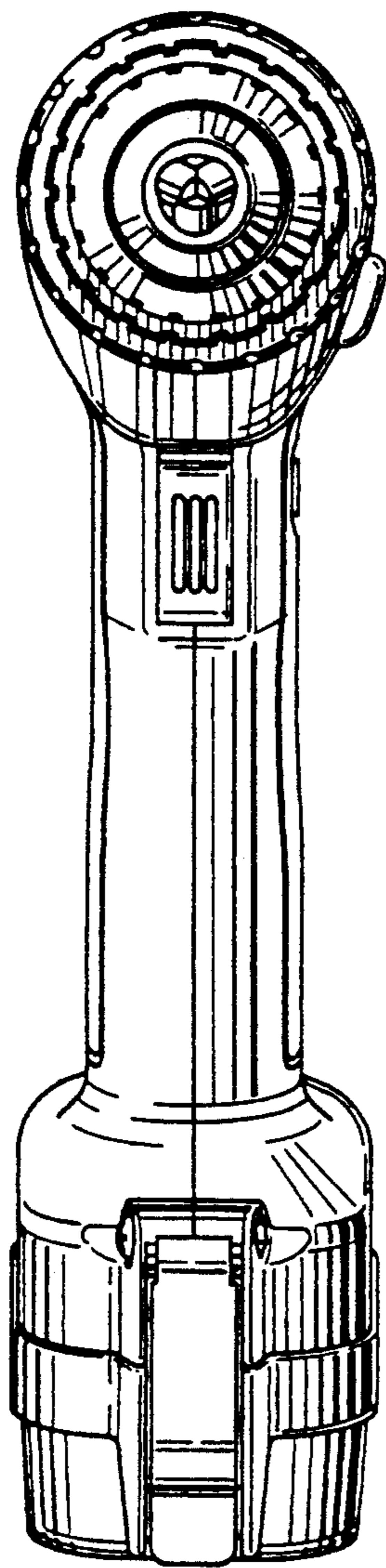


FIG. 4

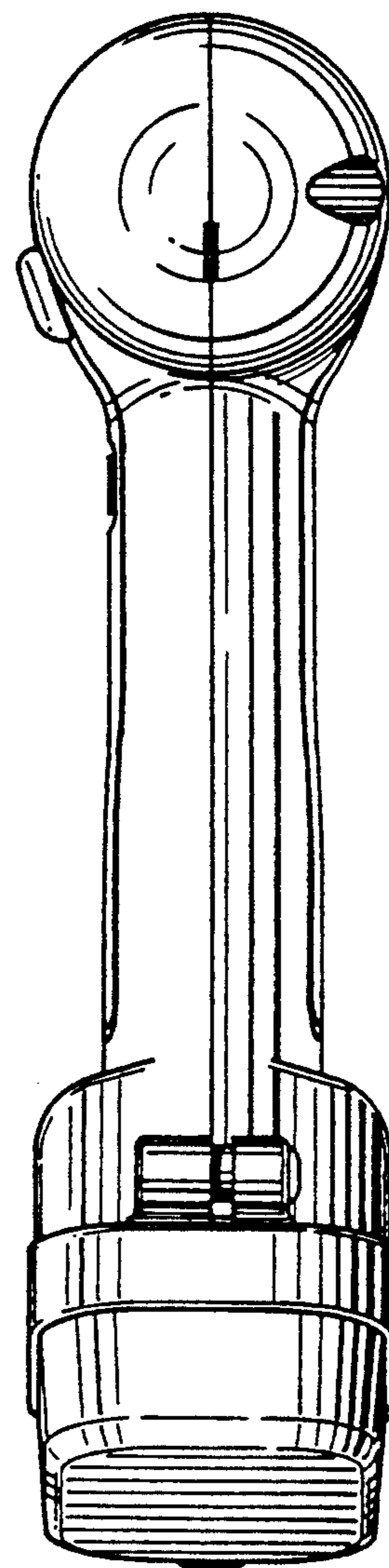


FIG. 5

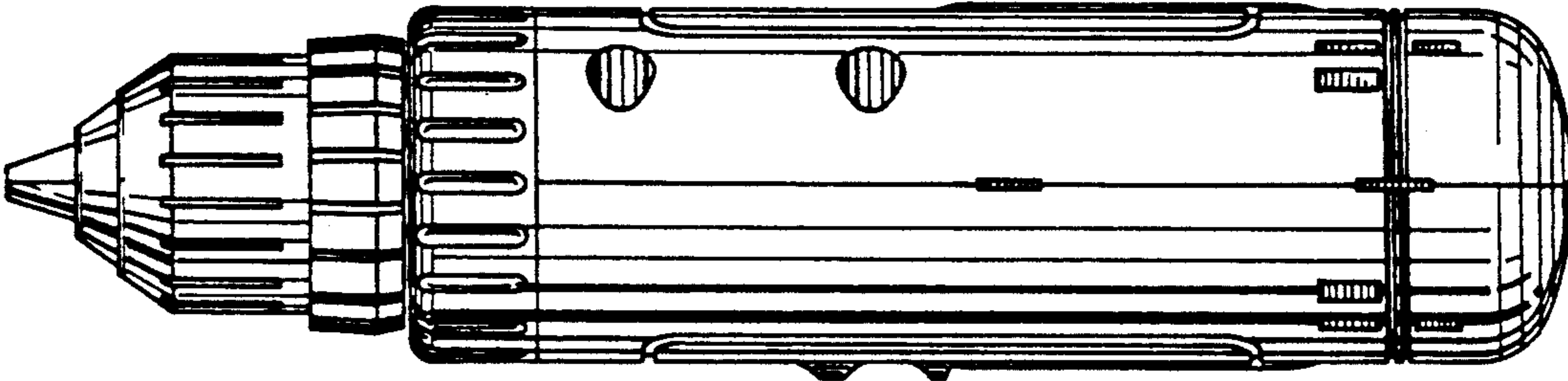


FIG. 6

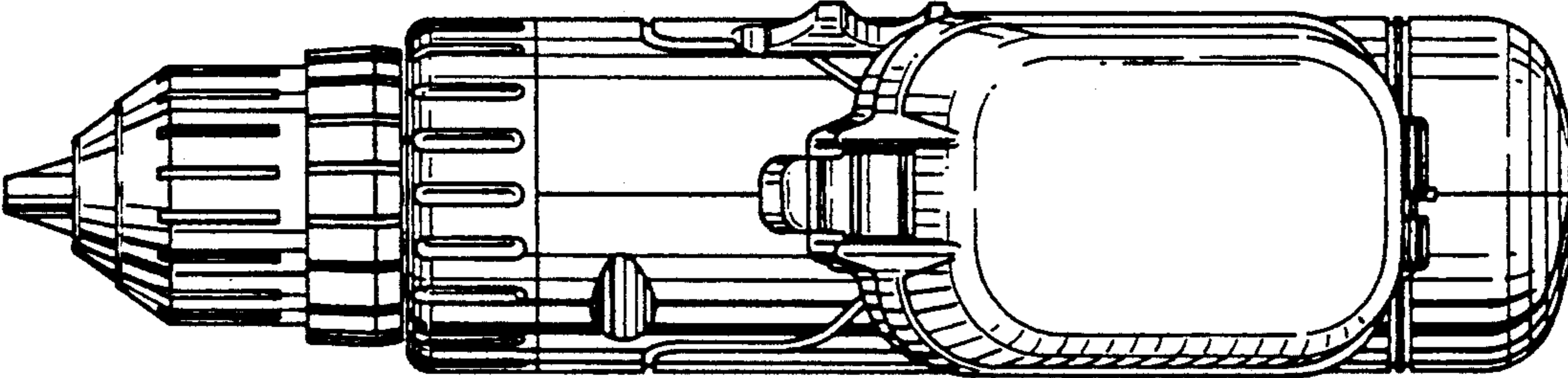


FIG. 7

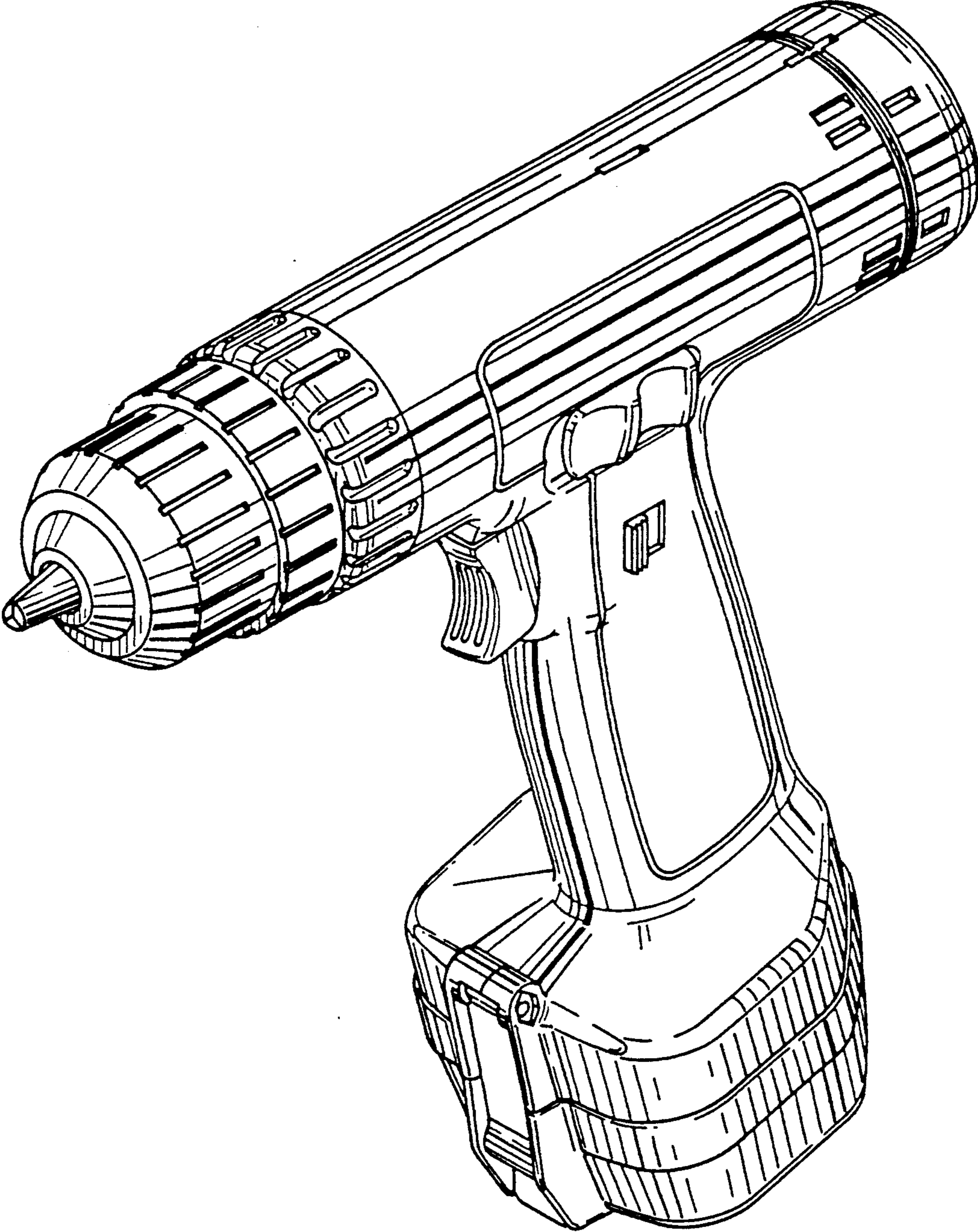


FIG. 8

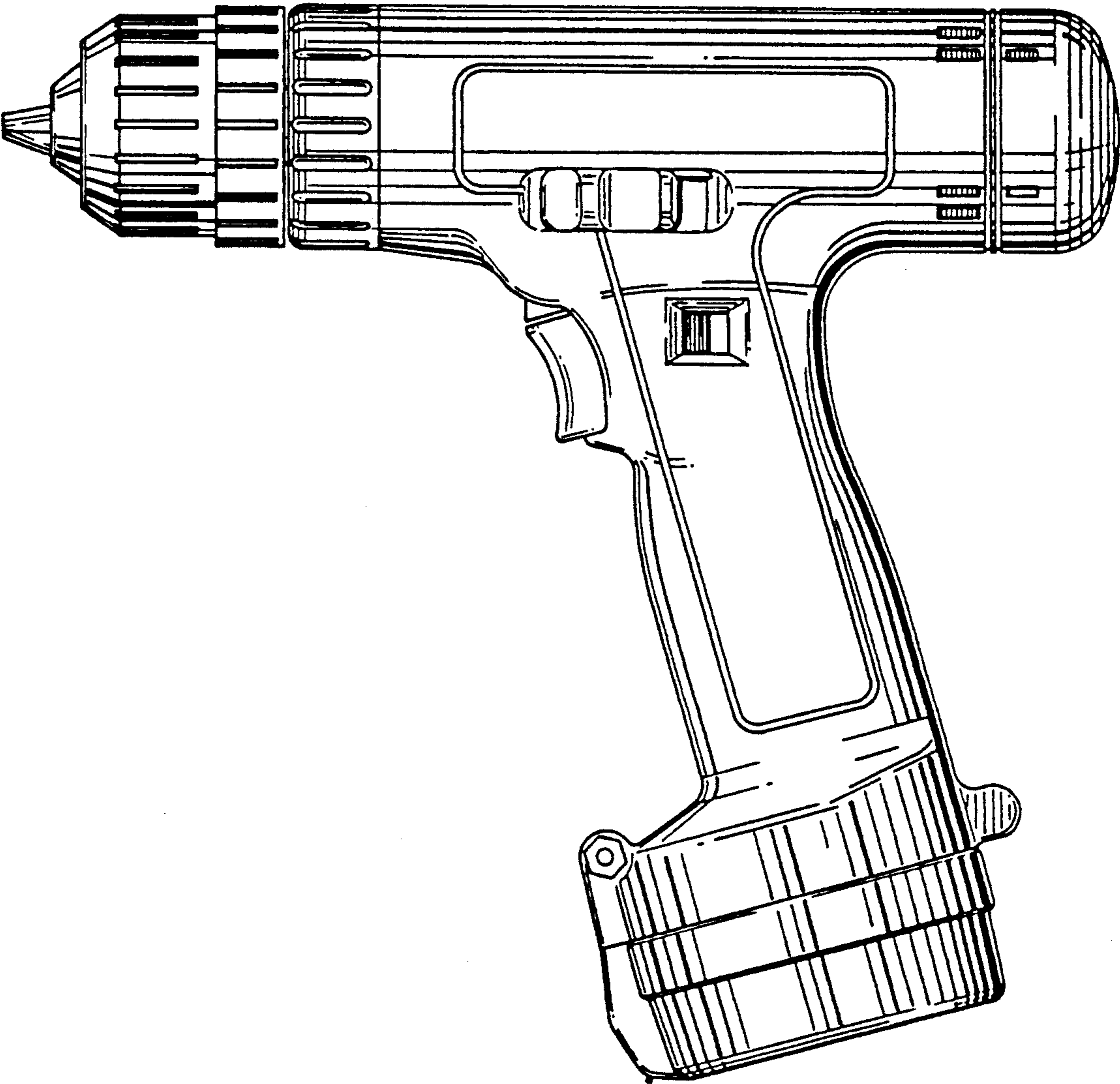


FIG. 9

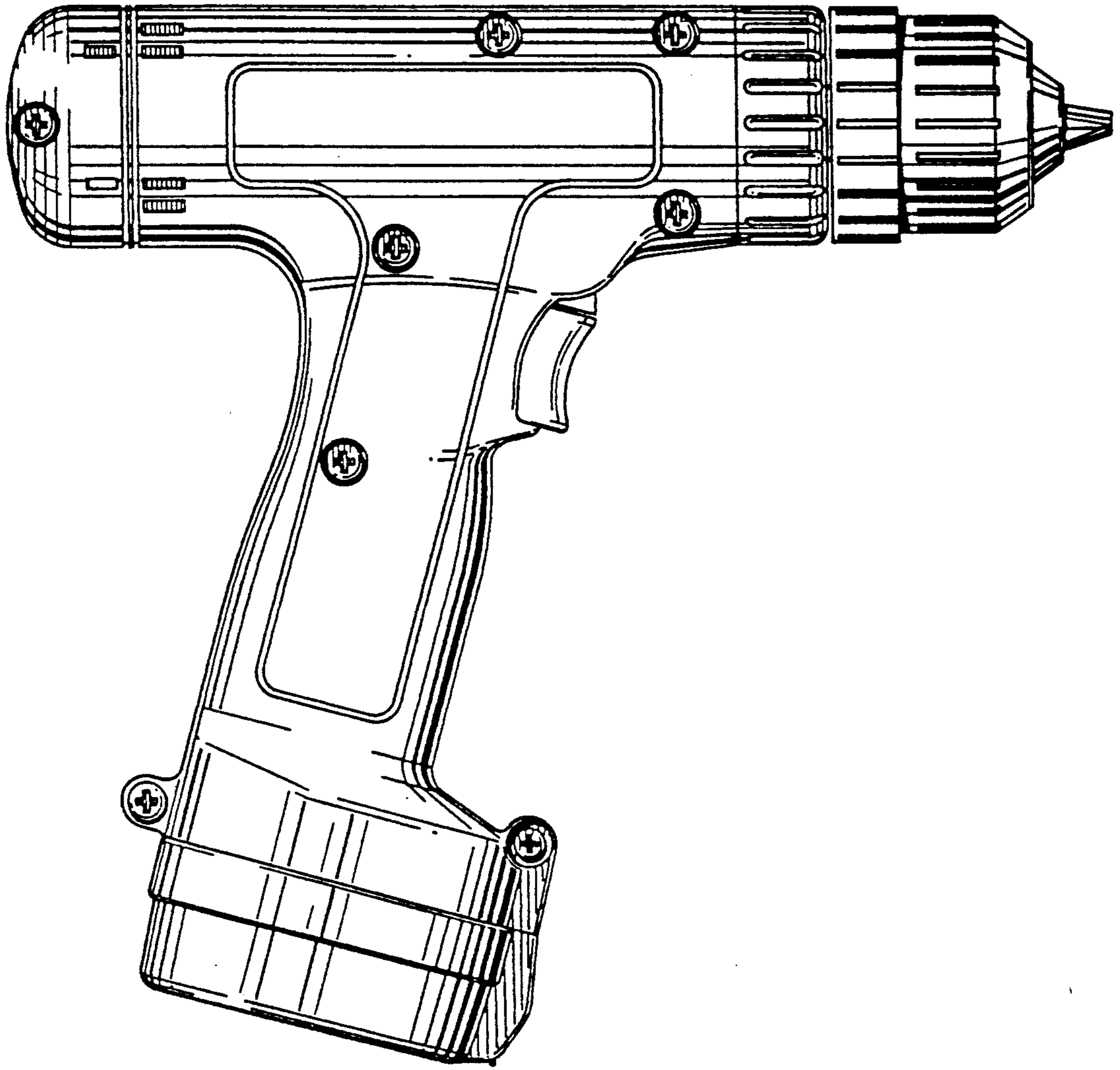


FIG. 10

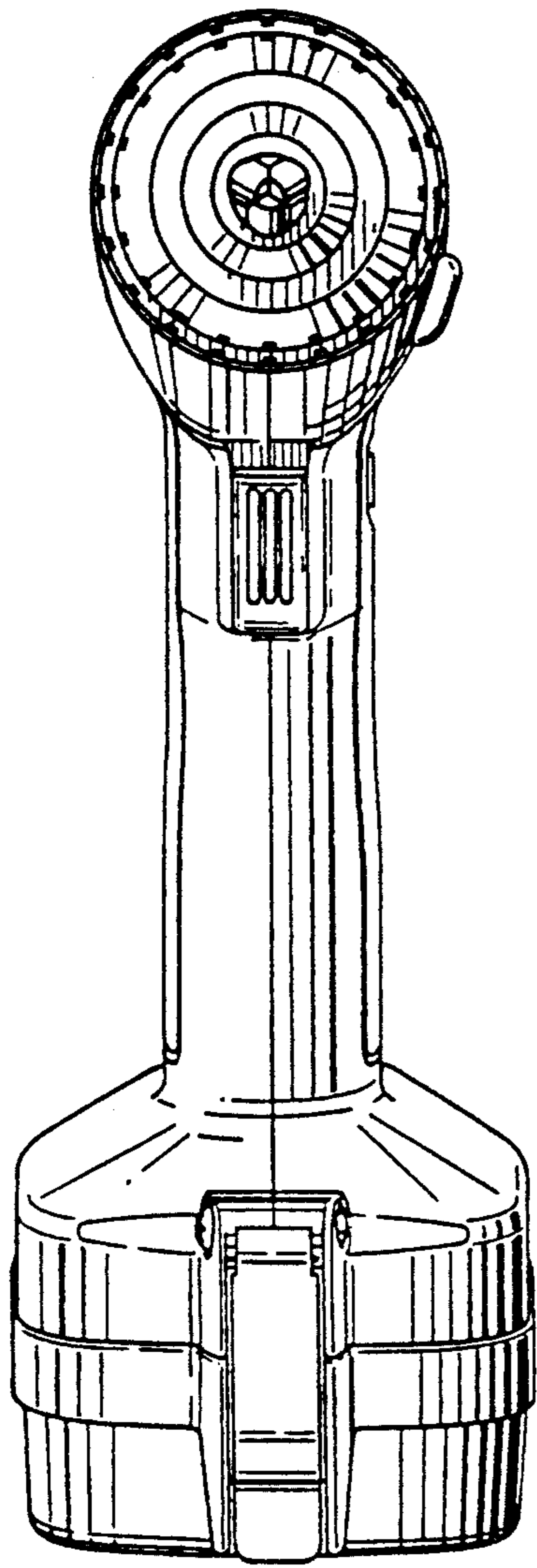


FIG.1 1

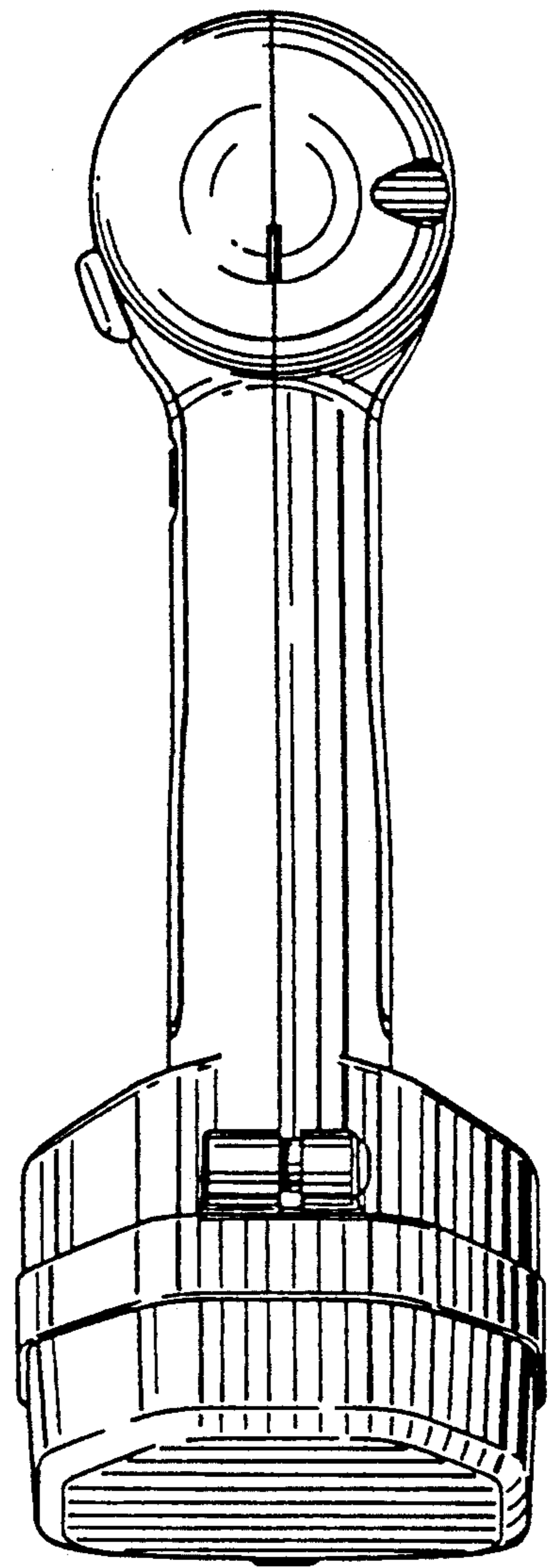


FIG.12

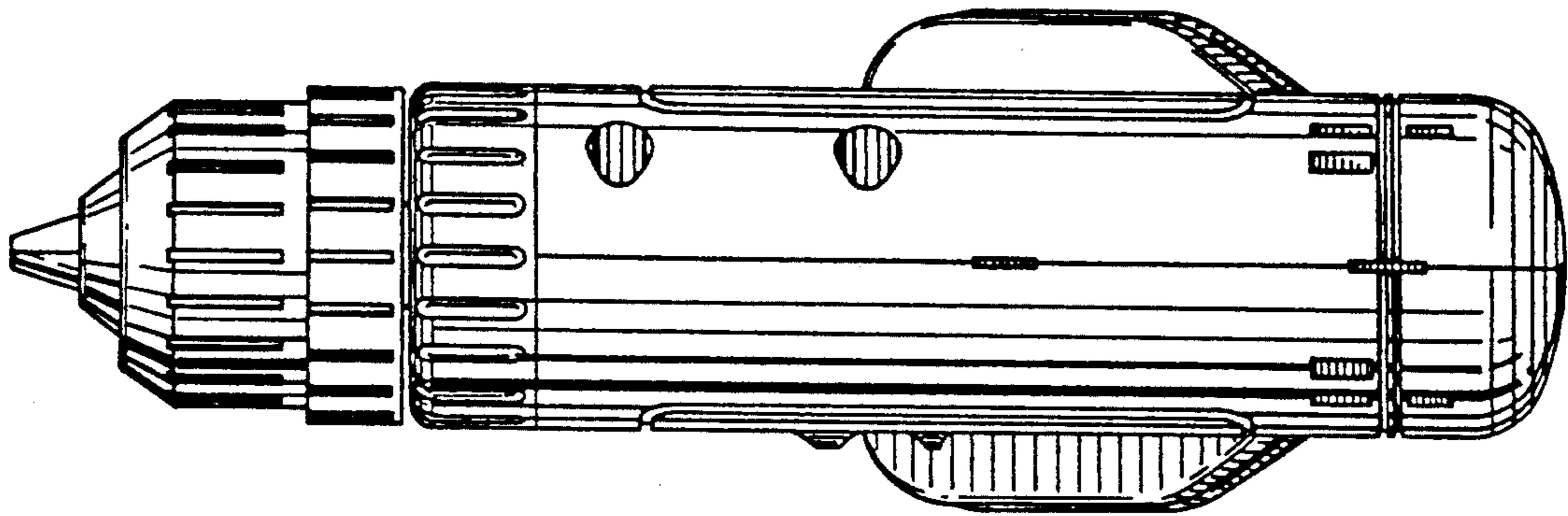


FIG. 13

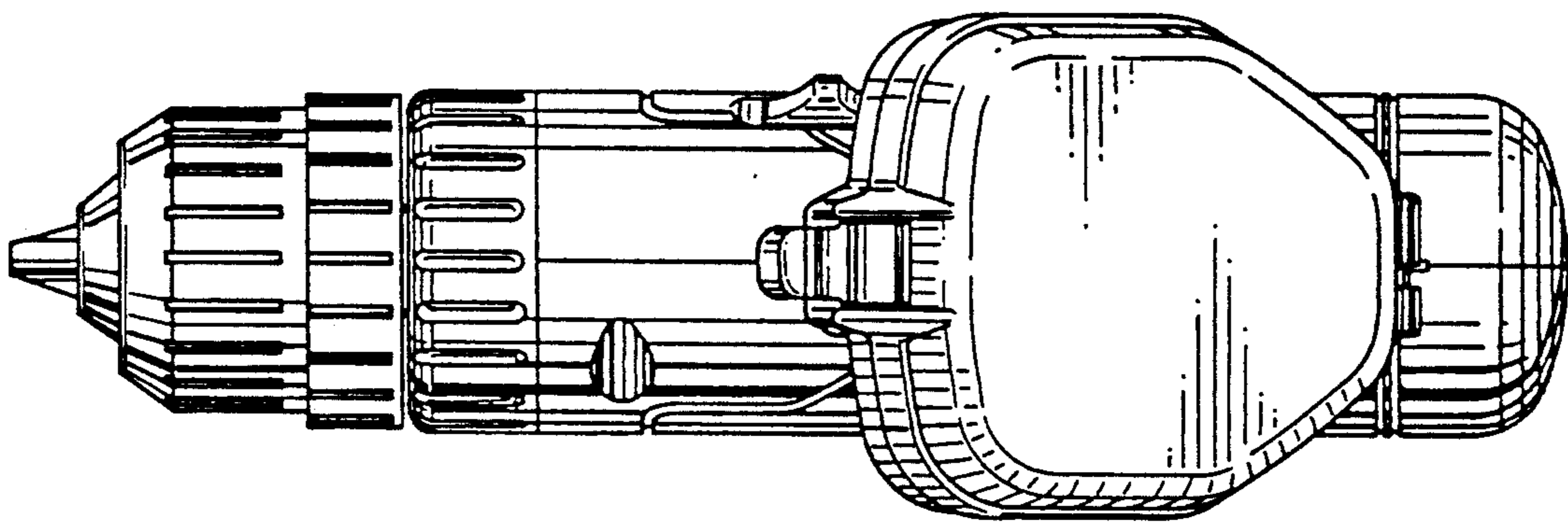


FIG. 14