



US00D340393S

United States Patent [19]

[11] Patent Number: **Des. 340,393**

Okumura

[45] Date of Patent: **** Oct. 19, 1993**

[54] **PORTABLE ELECTRIC DRILL**

D. 333,080 2/1993 Fushiya et al. D8/68

[75] Inventor: **Michio Okumura, Anjo, Japan**

OTHER PUBLICATIONS

[73] Assignee: **Makita Corporation, Anjo, Japan**

English catalog—Milwaukee—printed Apr. 1990—two pages.

[**] Term: **14 Years**

German catalog—AUS Erfahrung Gut—printed Mar. 1991—four pages.

[21] Appl. No.: **851,530**

[22] Filed: **Mar. 13, 1992**

Primary Examiner—Alan P. Douglas

Assistant Examiner—J. H. Musgrove

Attorney, Agent, or Firm—Dennison, Meserole, Pollack & Scheiner

[30] **Foreign Application Priority Data**

Sep. 18, 1991 [JP] Japan 3-28305

[52] U.S. Cl. **D8/68**

[57] **CLAIM**

[58] Field of Search D8/61, 68; 81/57.11, 81/57.13; 173/90-93.7, 170, 48; 408/124, 125

The ornamental design for a portable electric drill, as shown and described.

[56] **References Cited**

DESCRIPTION

U.S. PATENT DOCUMENTS

D. 296,072	6/1988	Mochida	D8/68
D. 300,502	4/1989	Schultz	D8/68
D. 300,503	4/1989	Schultz	D8/68
D. 314,498	2/1991	Hoshino et al.	D8/68
D. 326,598	6/1992	Sakamoto et al.	D8/68
D. 328,556	8/1992	Fushiya et al.	D8/68
D. 332,208	1/1993	Sakamoto et al.	D8/68

FIG. 1 is a perspective view of a portable electric drill showing my new design;

FIG. 2 is a front elevational view thereof;

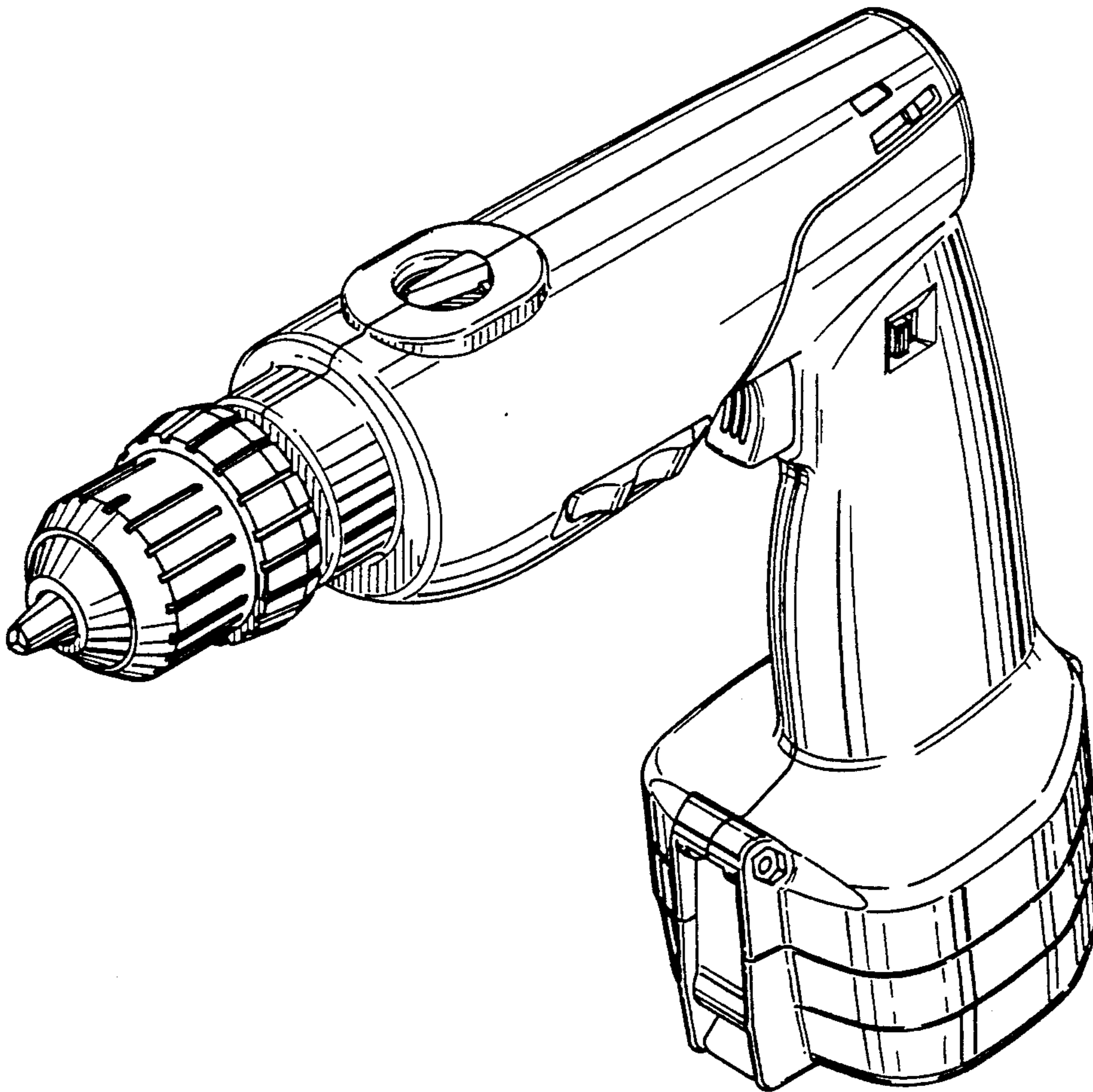
FIG. 3 is a rear elevational view thereof;

FIG. 4 is a left side elevational view thereof;

FIG. 5 is a right side elevational view thereof;

FIG. 6 is a top plan view thereof; and,

FIG. 7 is a bottom plan view thereof.



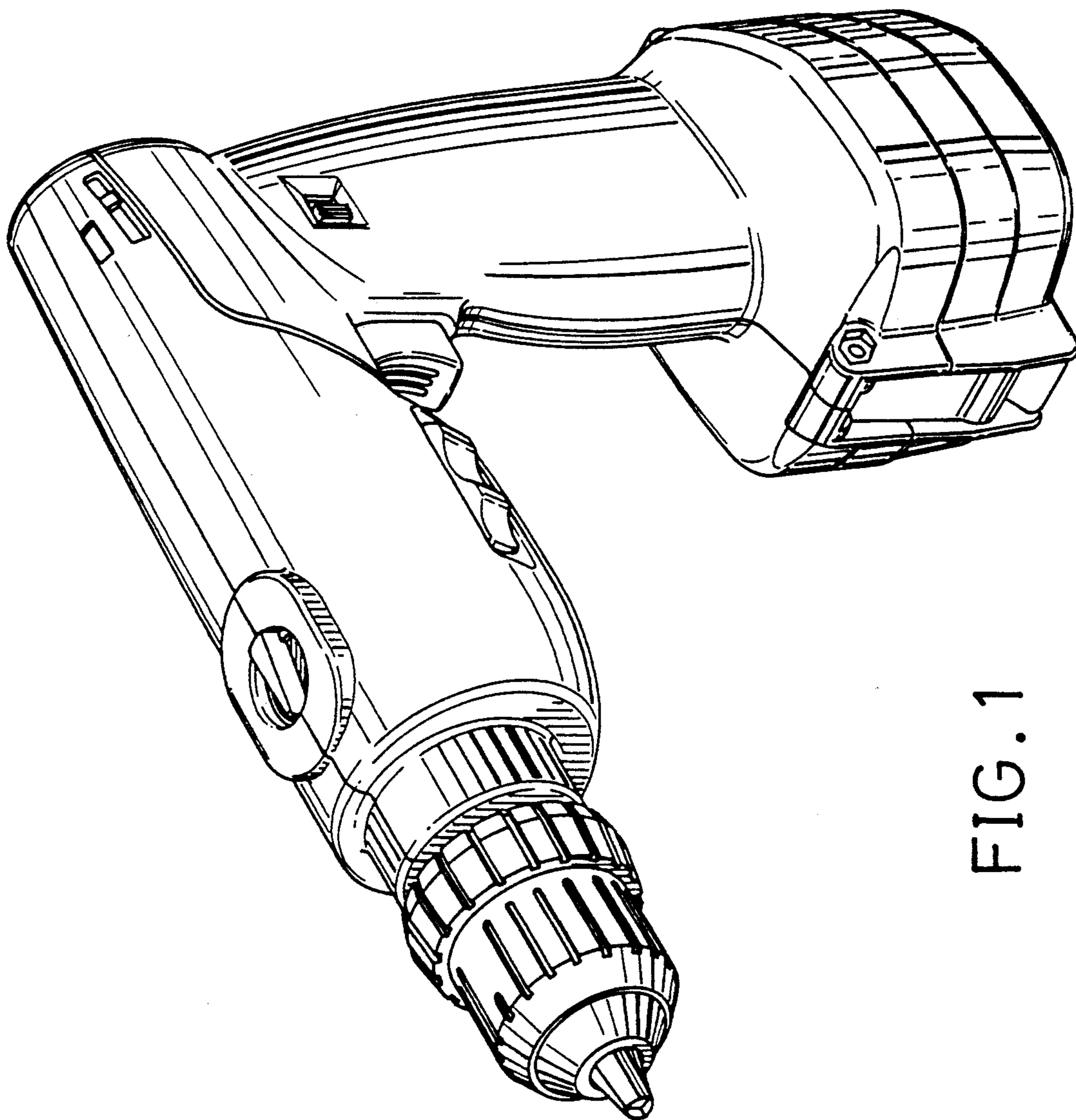


FIG. 1

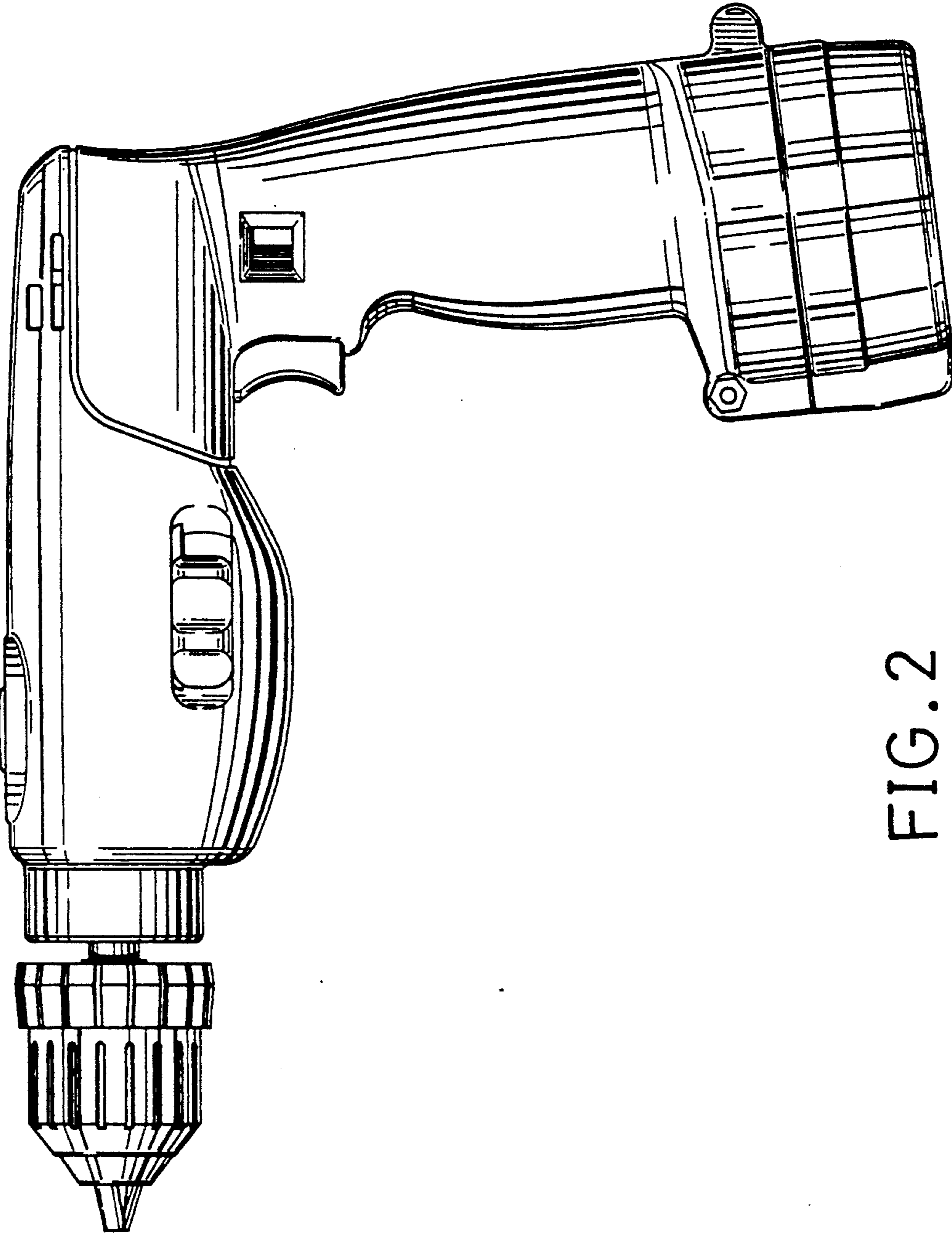


FIG. 2

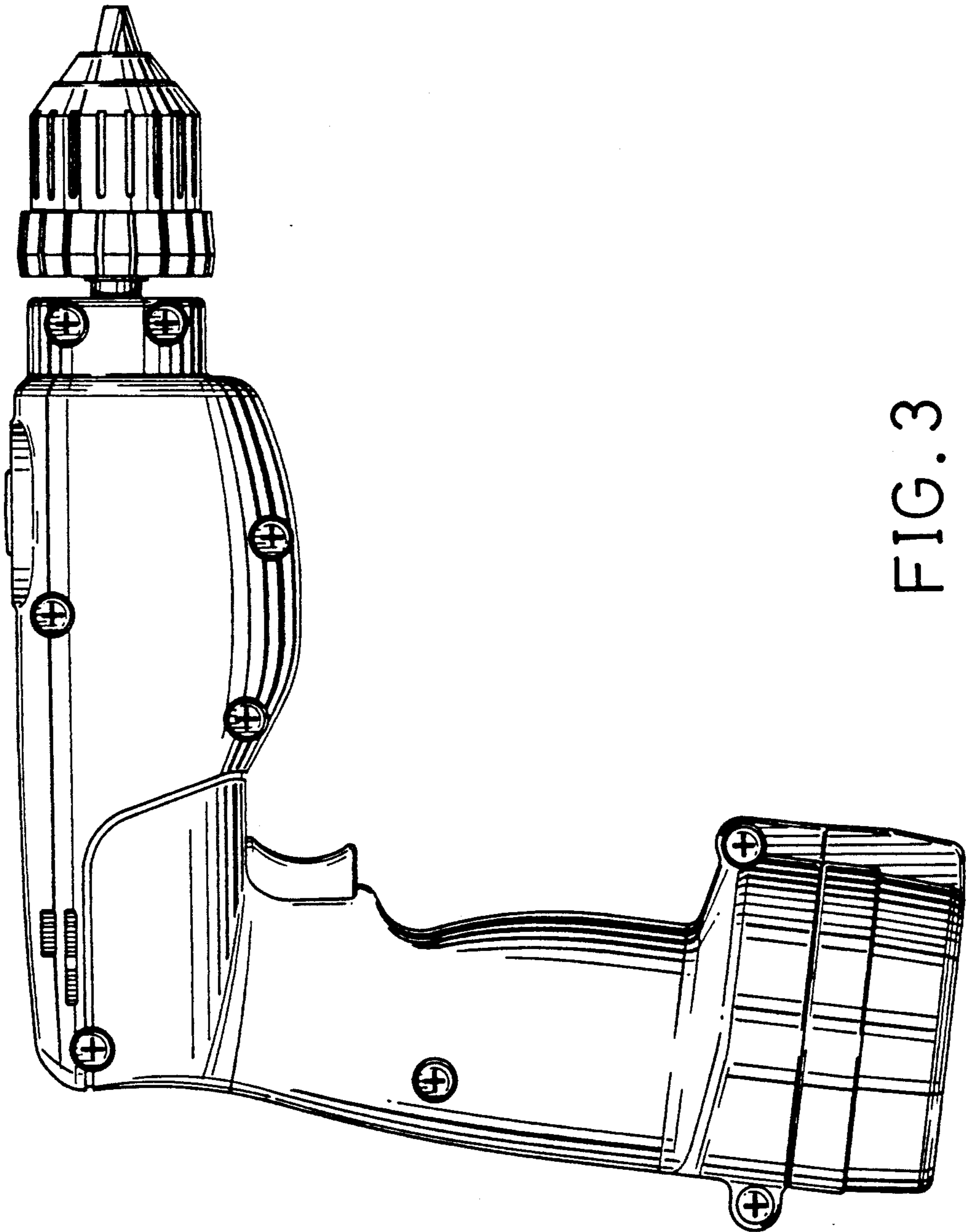


FIG. 3

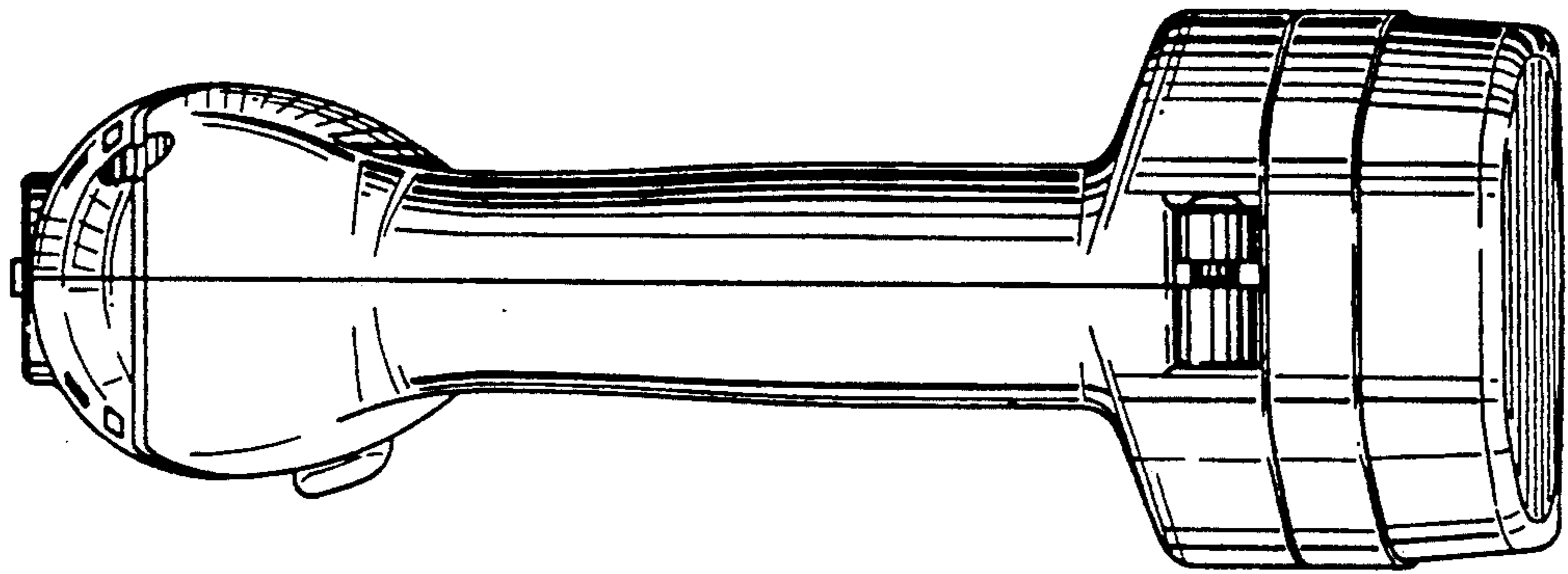


FIG. 5

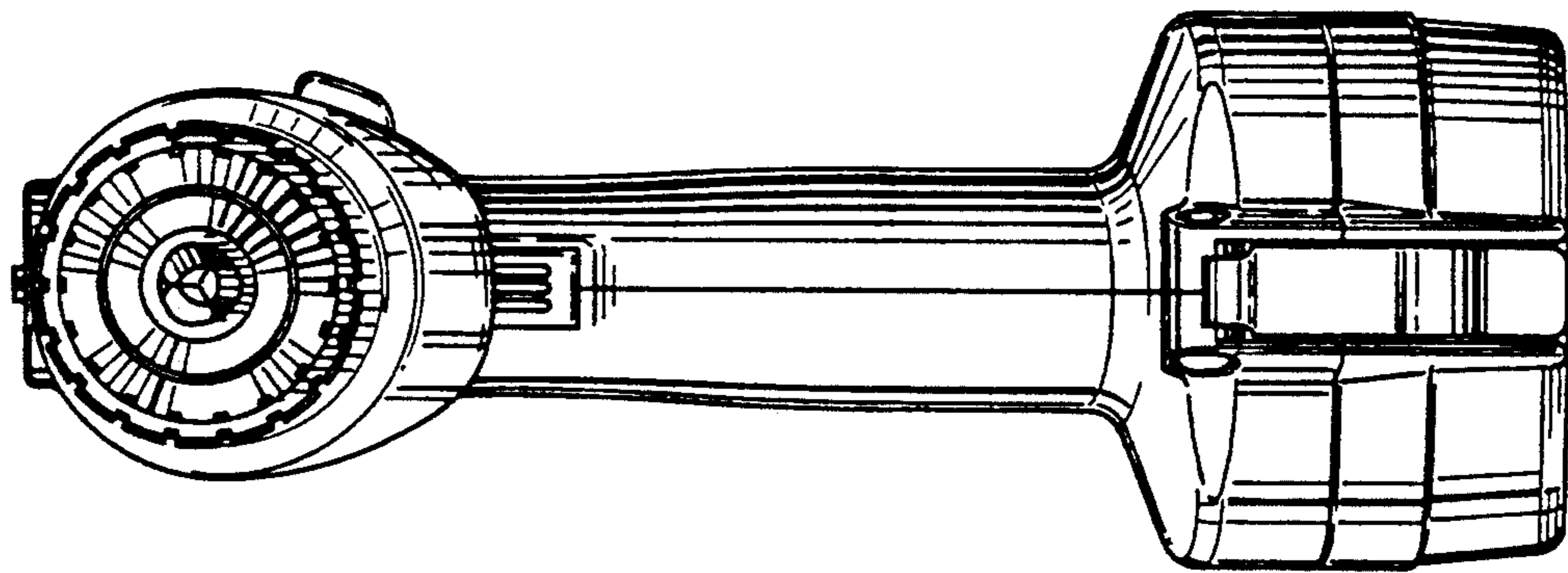


FIG. 4

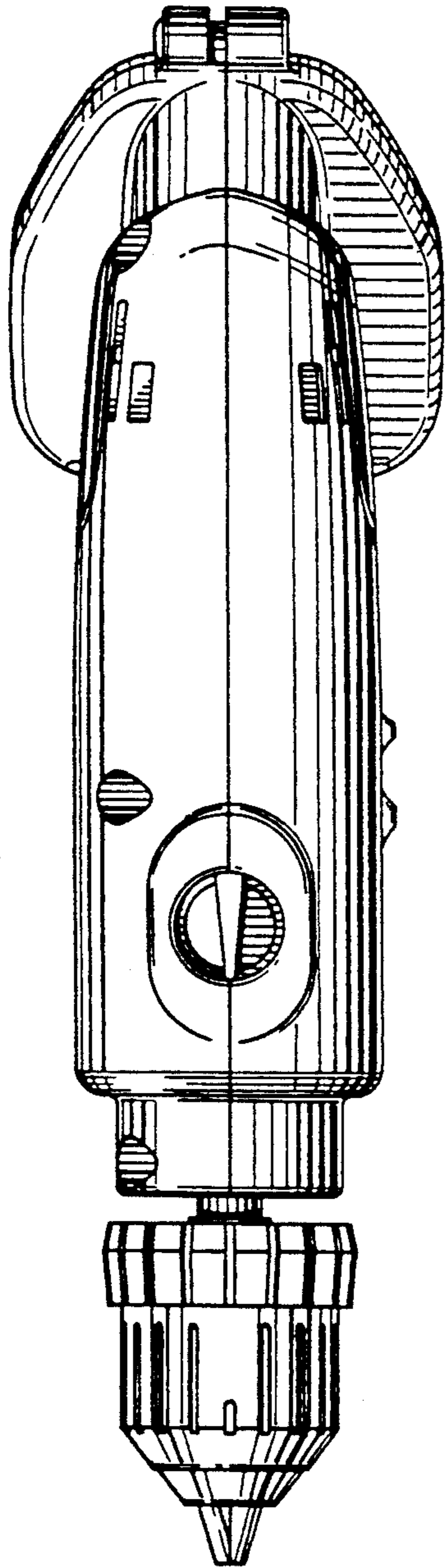


FIG. 6

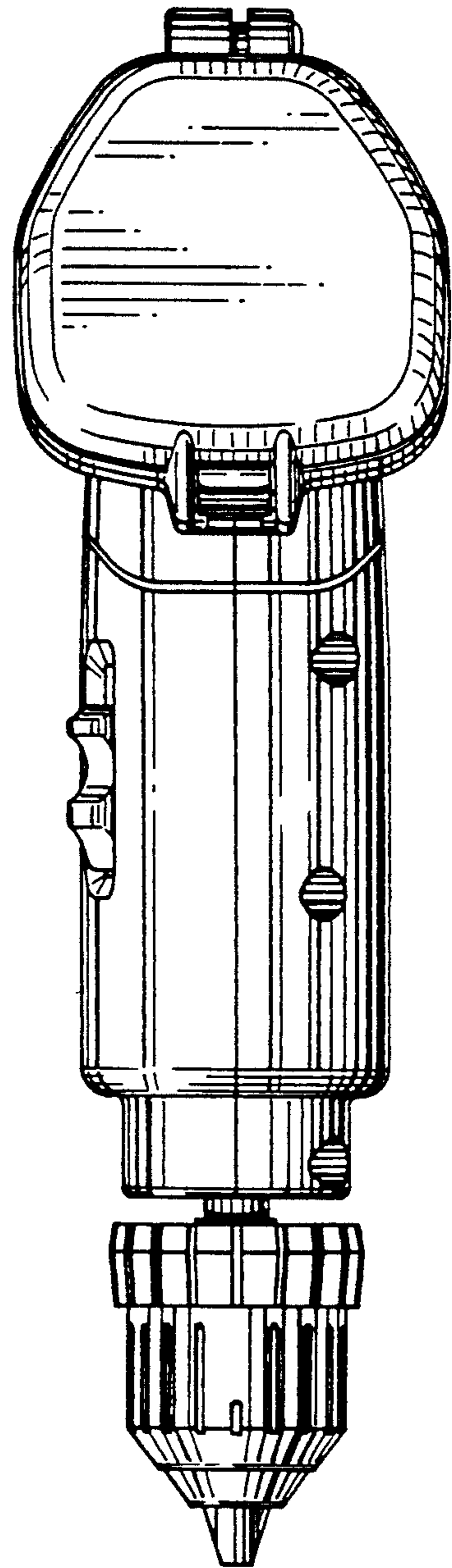


FIG. 7