



US00D340392S

United States Patent [19]

[11] Patent Number: **Des. 340,392**

Axelsson

[45] Date of Patent: **** Oct. 19, 1993**

[54] **MULTIPURPOSE SIGN PREPARATION TOOL**

[56] **References Cited**

[75] Inventor: **Stig Axelsson, Tranas, Sweden**

U.S. PATENT DOCUMENTS

- D. 278,511 4/1985 Smith D8/52
- D. 282,624 2/1986 Hartmeister D8/52
- 3,753,366 8/1973 White 72/459
- 4,055,891 11/1977 Wick D8/52

[73] Assignee: **AB Hammarprodukter, Bjursas, Sweden**

Primary Examiner—Bernard Ansher
Assistant Examiner—P. Hyder
Attorney, Agent, or Firm—Zarley, McKee, Thomte, Voorhees & Sease

[**] Term: **14 Years**

[21] Appl. No.: **776,488**

[57] **CLAIM**

The ornamental design for a multipurpose sign preparation tool, as shown and described.

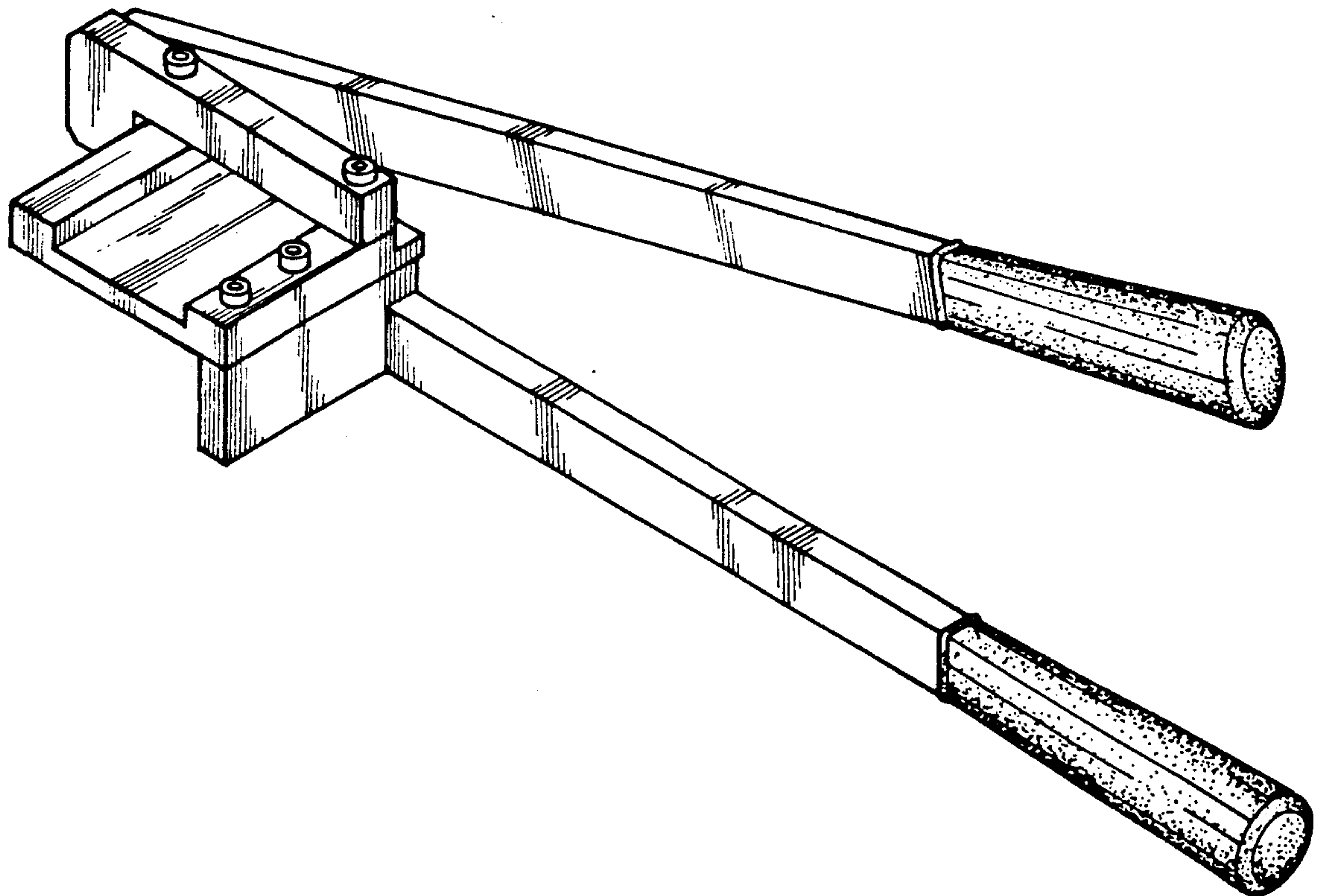
[22] Filed: **Oct. 15, 1991**

DESCRIPTION

[30] **Foreign Application Priority Data**

- May 13, 1991 [SE] Sweden 91-1014
- [52] U.S. Cl. **D8/51**
- [58] Field of Search D8/51, 52, 32; 30/91.1; 72/409, 464

FIG. 1 is a rear perspective view of a multipurpose sign preparation tool showing my new design; FIG. 2 is a front perspective view of the tool; and, FIG. 3 is a perspective view similar to FIG. 1 but illustrating the tool from the opposite side.



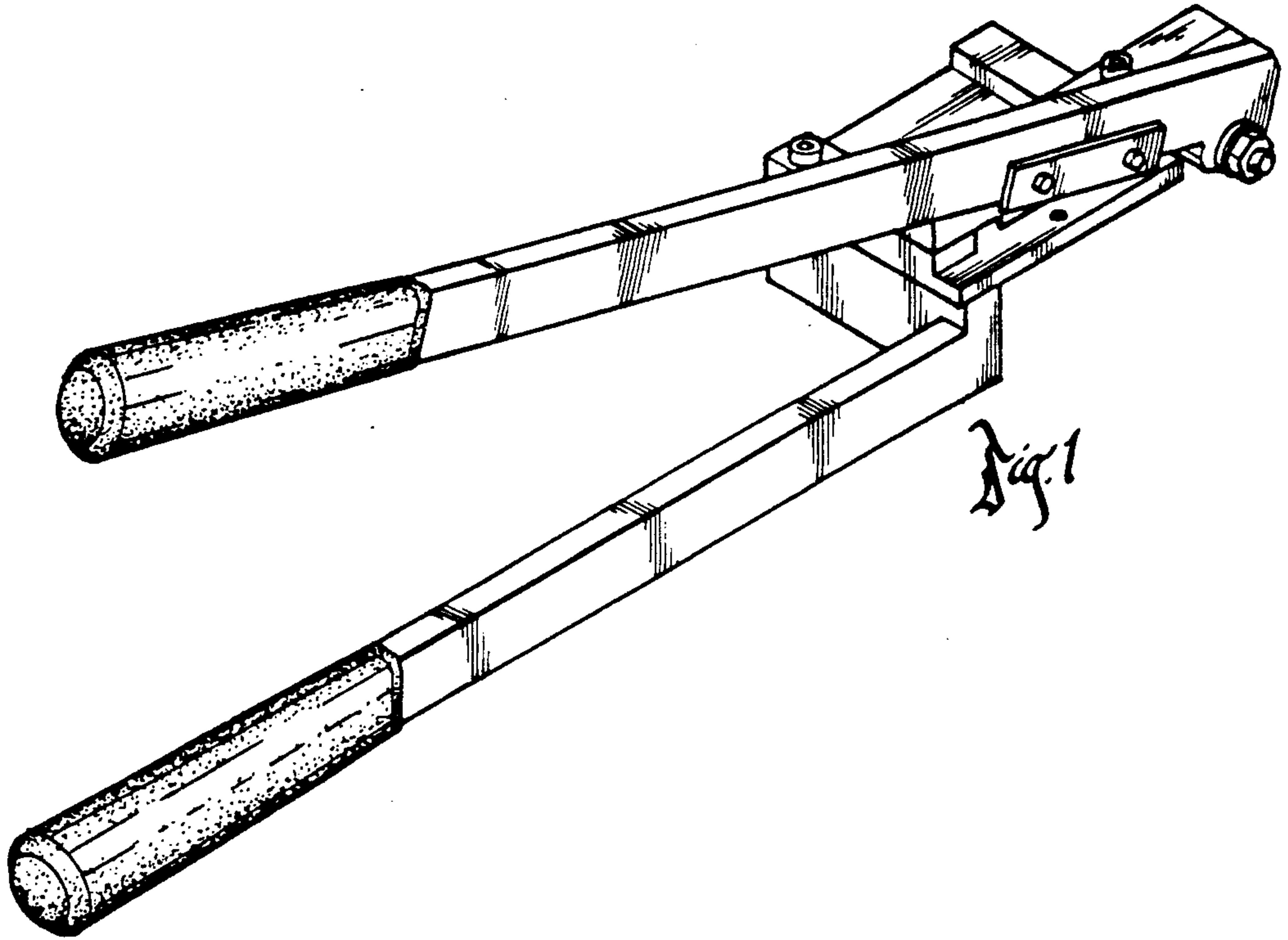


Fig. 1

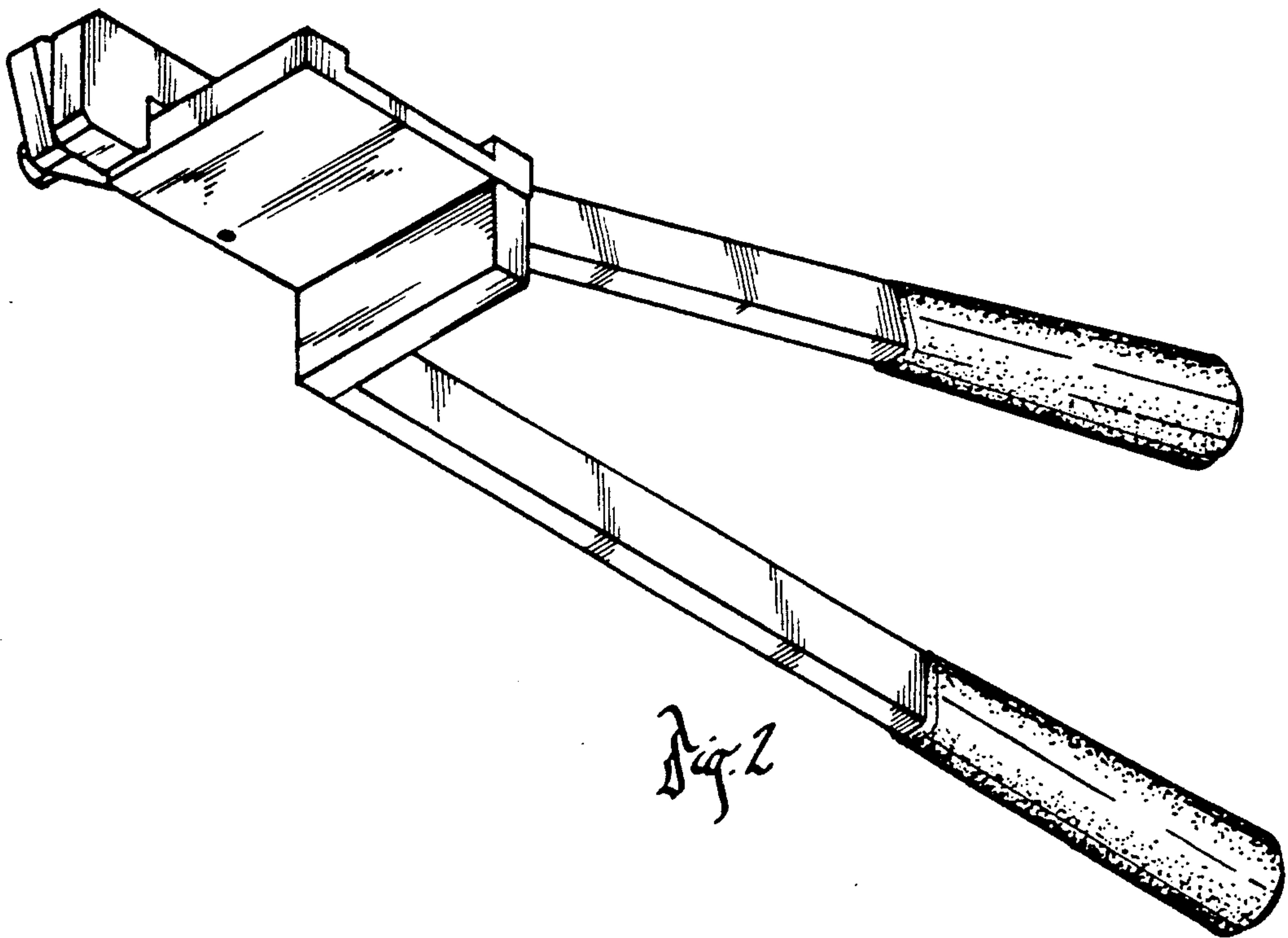


Fig. 2

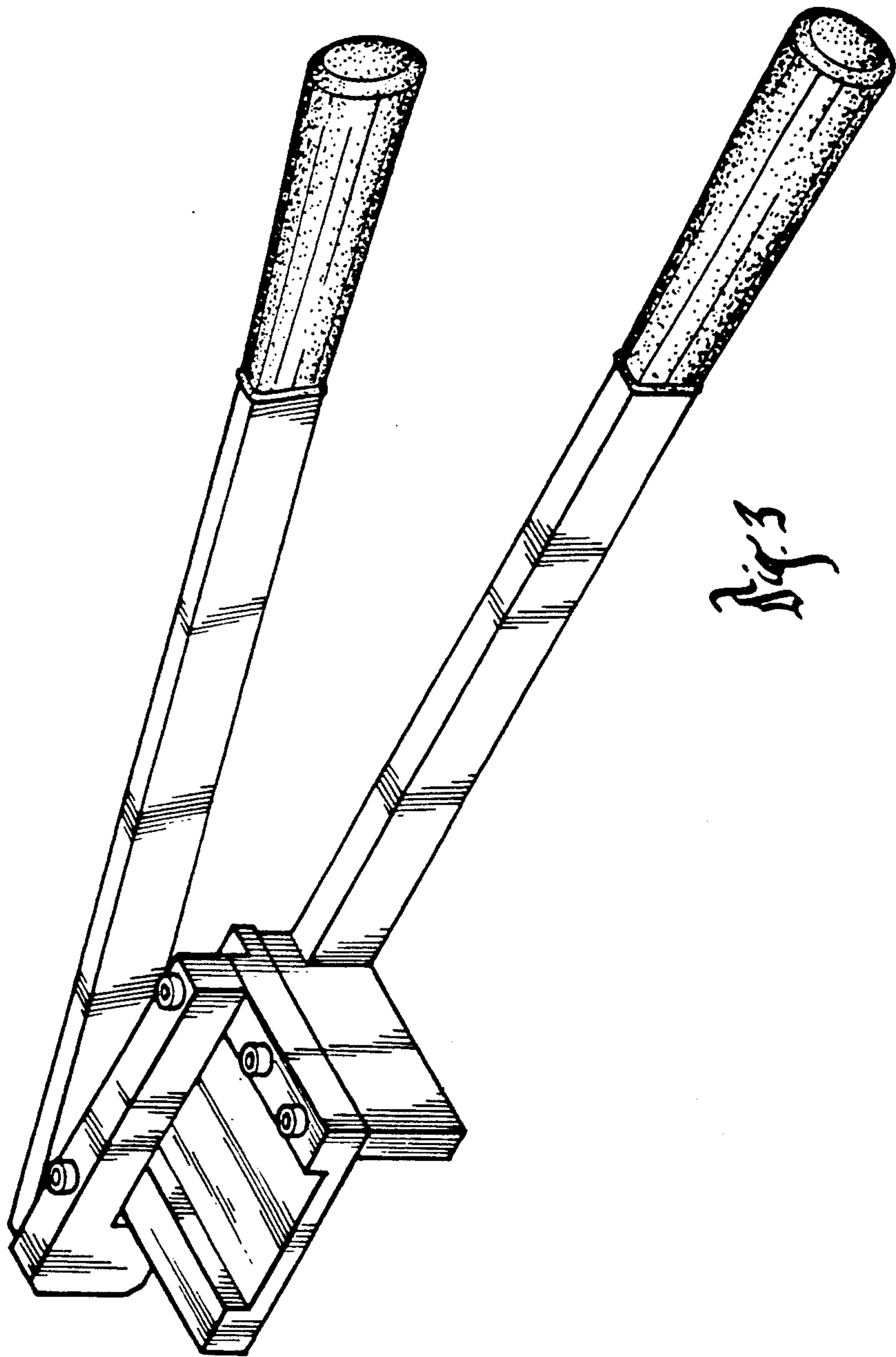


Fig. 3