



US00D340391S

United States Patent [19] Carpenter

[11] Patent Number: **Des. 340,391**

[45] Date of Patent: **** Oct. 19, 1993**

[54] **STAKE PULLER**

[76] Inventor: **Gregory H. Carpenter**, 801 Park St.,
Lodi, Calif. 95240-5121

[**] Term: **14 Years**

[21] Appl. No.: **874,445**

[22] Filed: **Apr. 27, 1992**

[52] U.S. Cl. **D8/51**

[58] Field of Search **D8/14, 51; D34/31, 33;**
254/30, 31, 131, 132, 133, 263

4,817,917 4/1989 Stultz et al. 254/30
5,022,632 6/1991 Beideck 254/132

Primary Examiner—Bernard Ansher
Assistant Examiner—P. Hyder
Attorney, Agent, or Firm—Lothrop & West

[57] **CLAIM**

The ornamental design for a stake puller, as shown and described.

DESCRIPTION

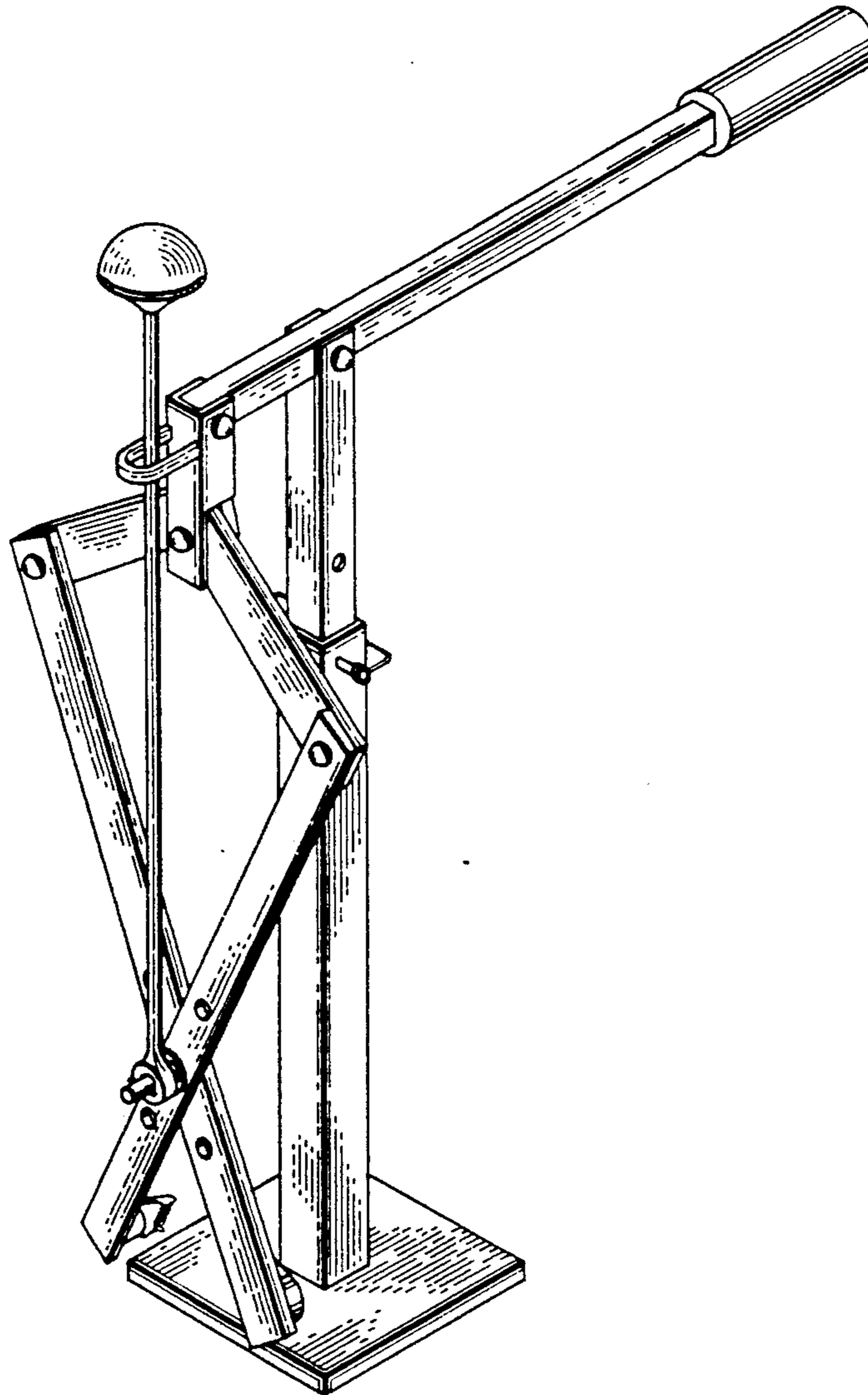
FIG. 1 is a front perspective view of a stake puller showing my new design;
FIG. 2 is a front elevational view thereof;
FIG. 3 is a rear elevational view thereof;
FIG. 4 is a right side elevational view thereof, the left side view being a mirror image;
FIG. 5 is a top plan view thereof; and,
FIG. 6 is a bottom plan view thereof.

[56]

References Cited

U.S. PATENT DOCUMENTS

1,299,915	4/1919	Christian	254/132
1,385,326	7/1921	Leisure	254/132
3,048,368	8/1962	Linabery, Sr.	254/132
3,647,185	3/1972	Phibbs	254/30
3,815,875	6/1974	Koebel, Jr.	254/132



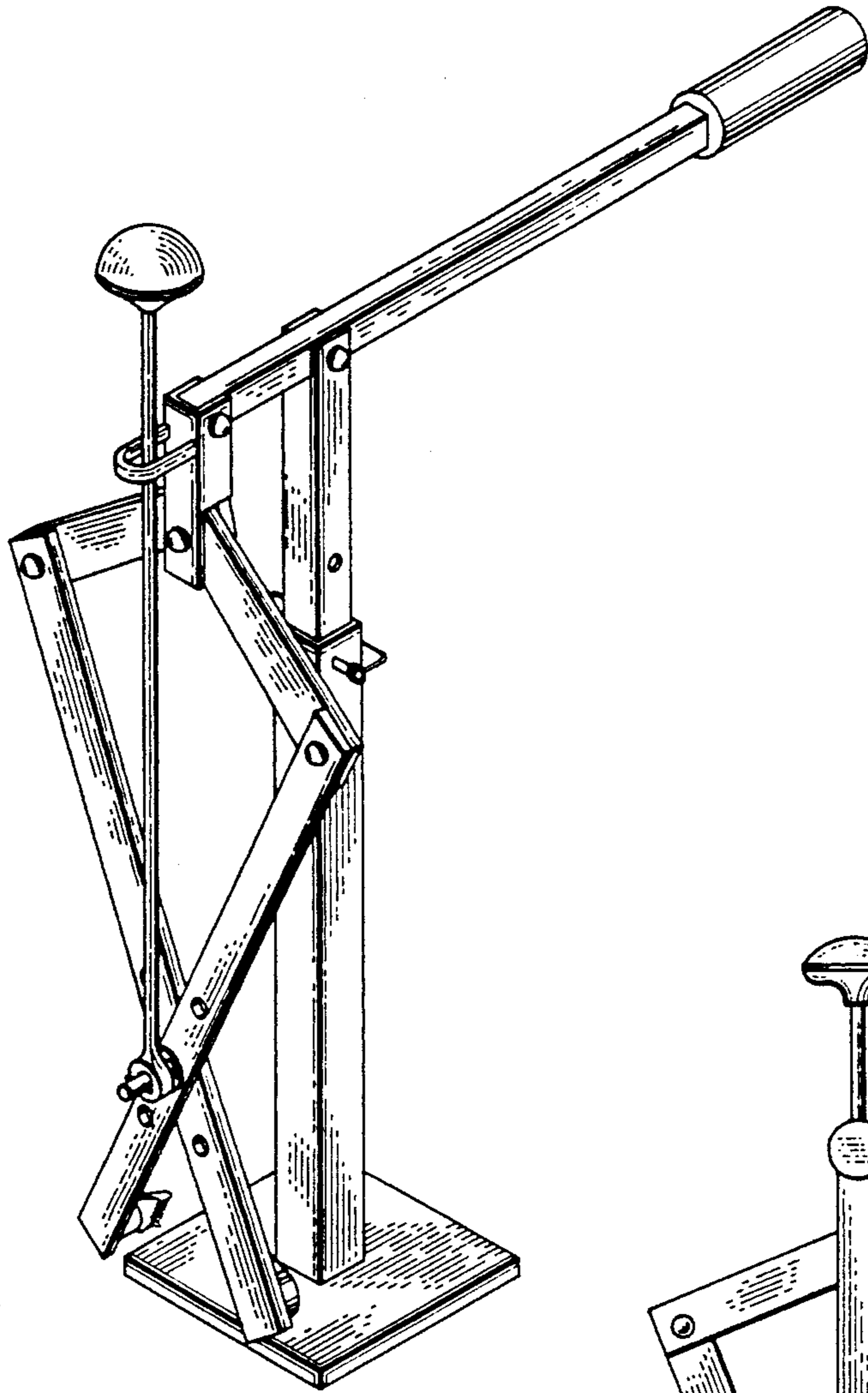


FIG. 1

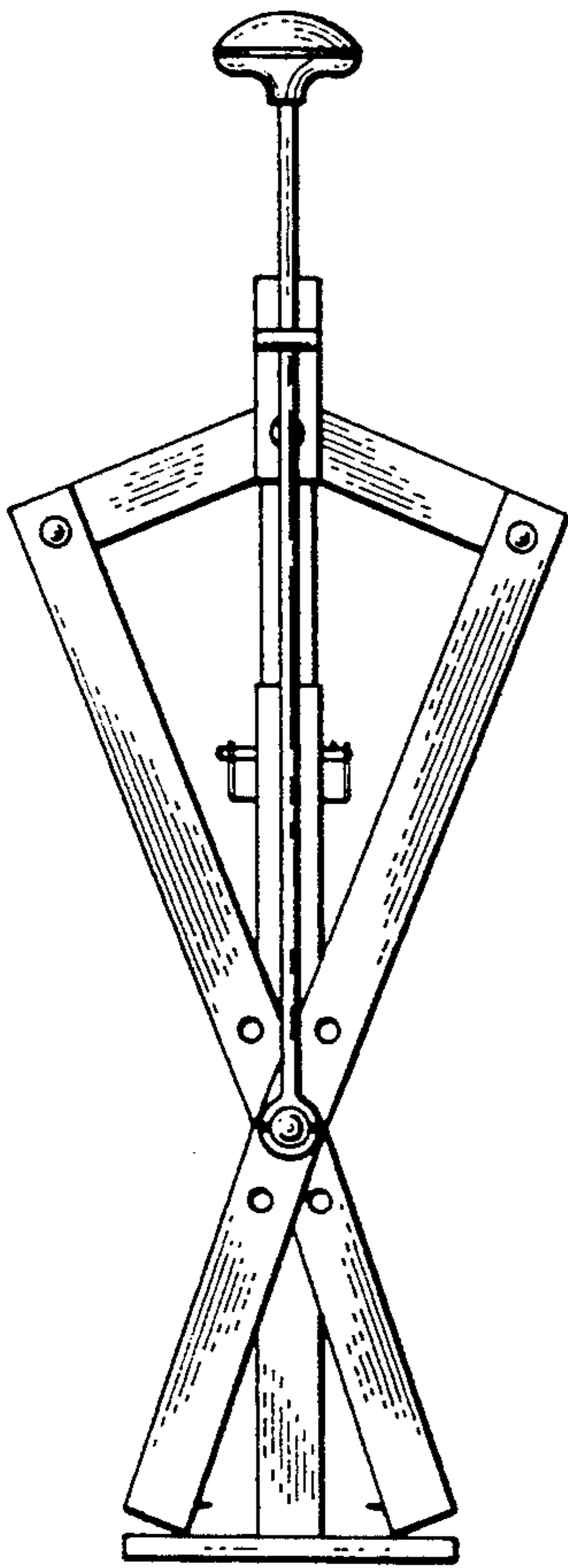


FIG. 2

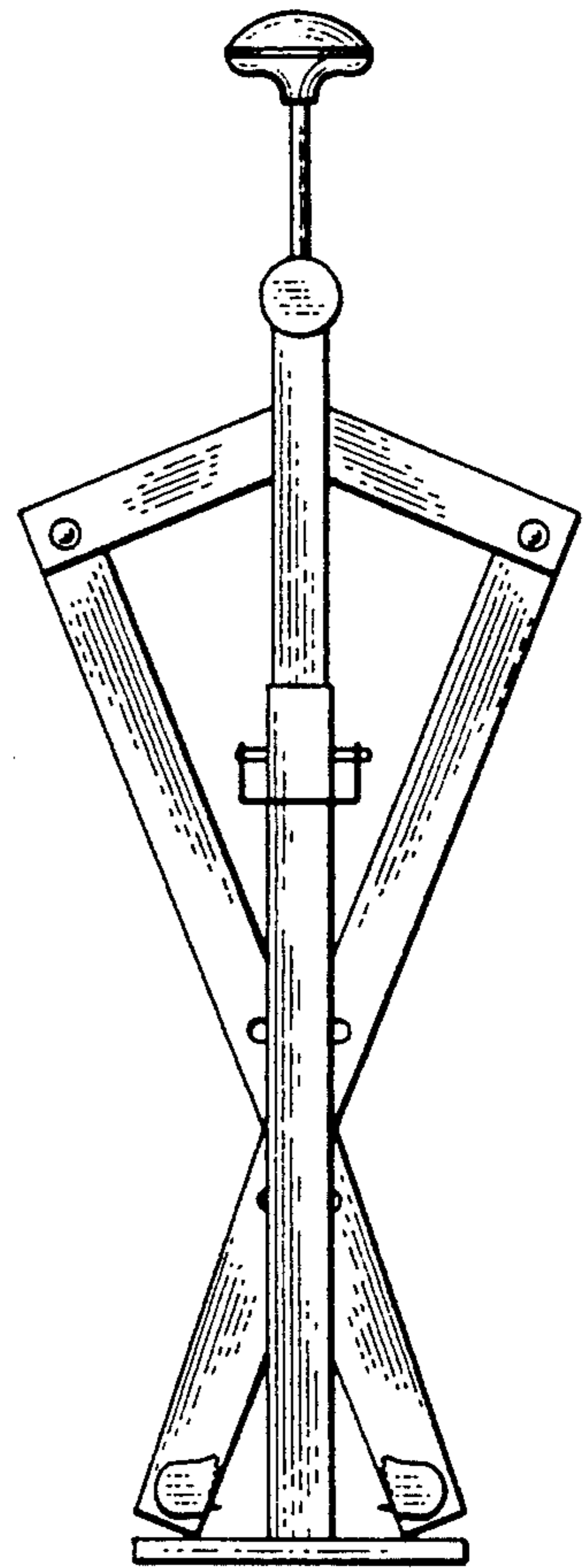


FIG. 3

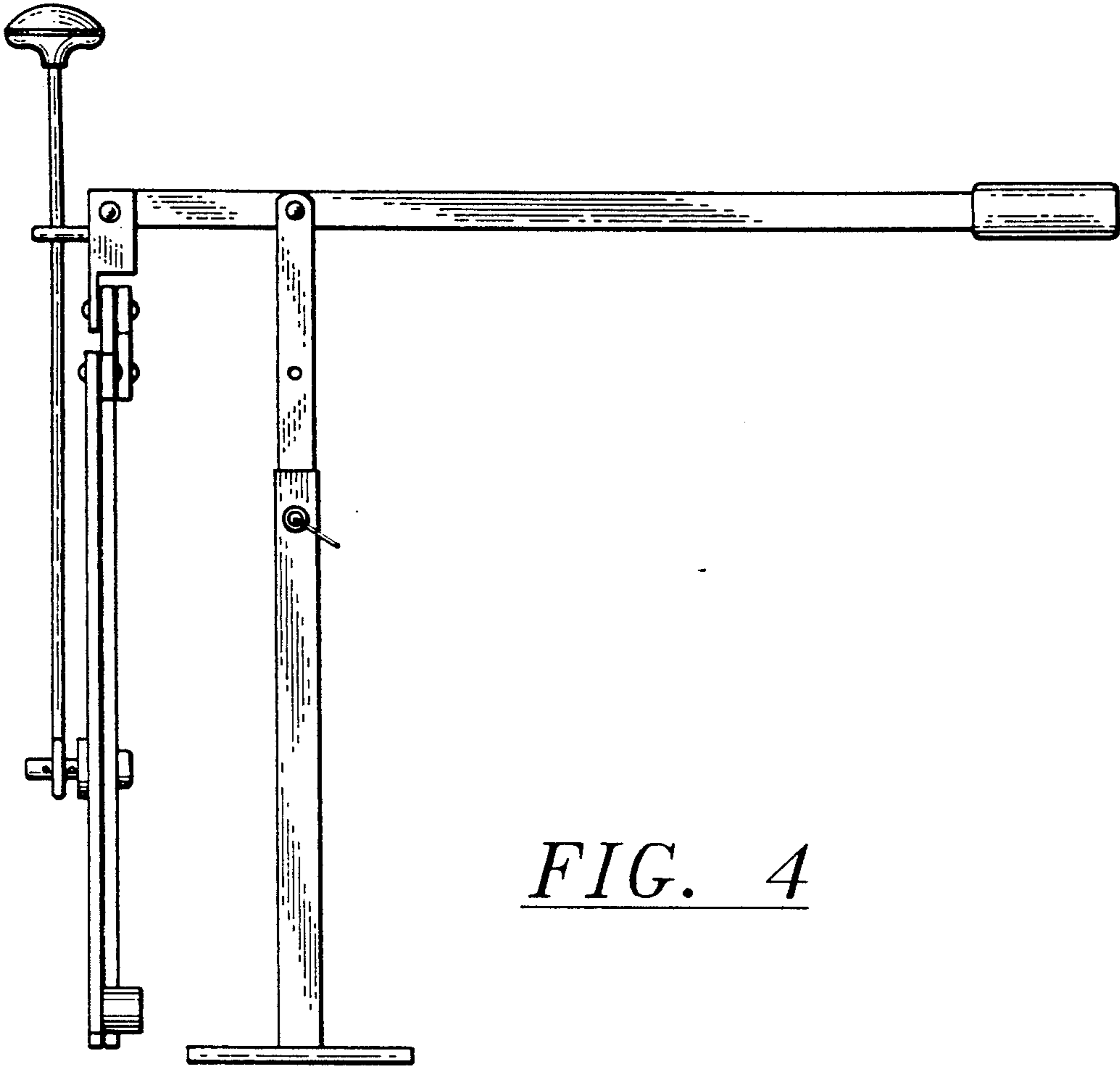


FIG. 4

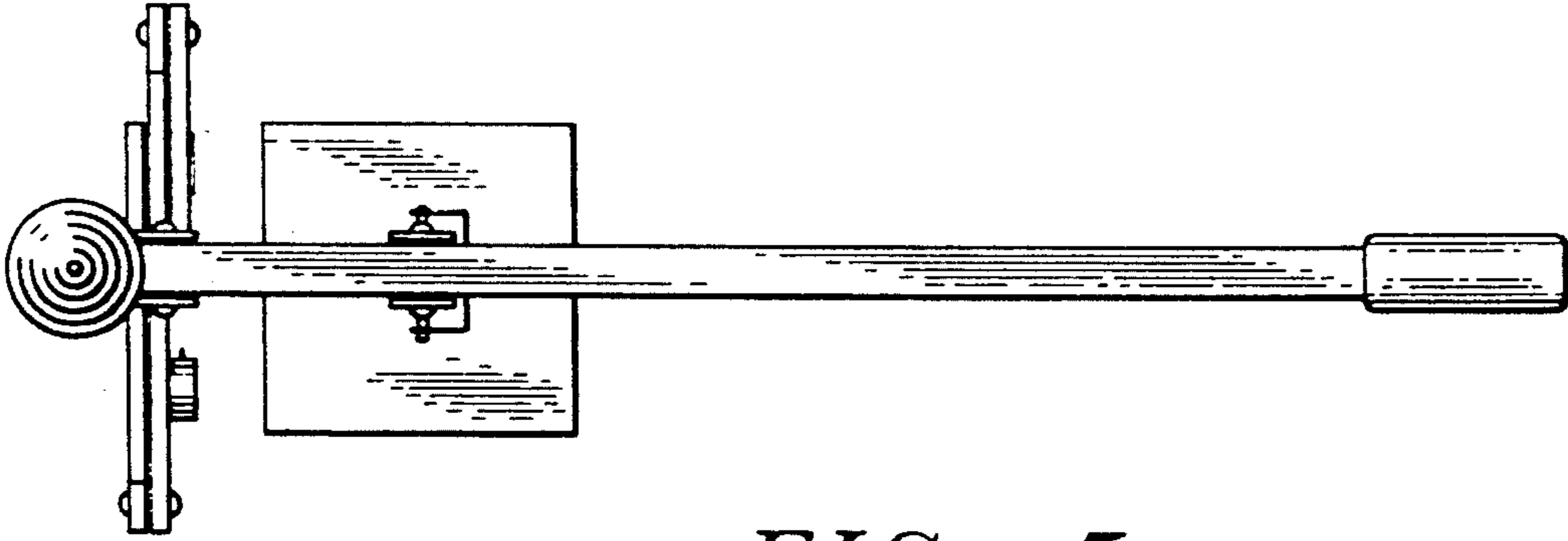


FIG. 5

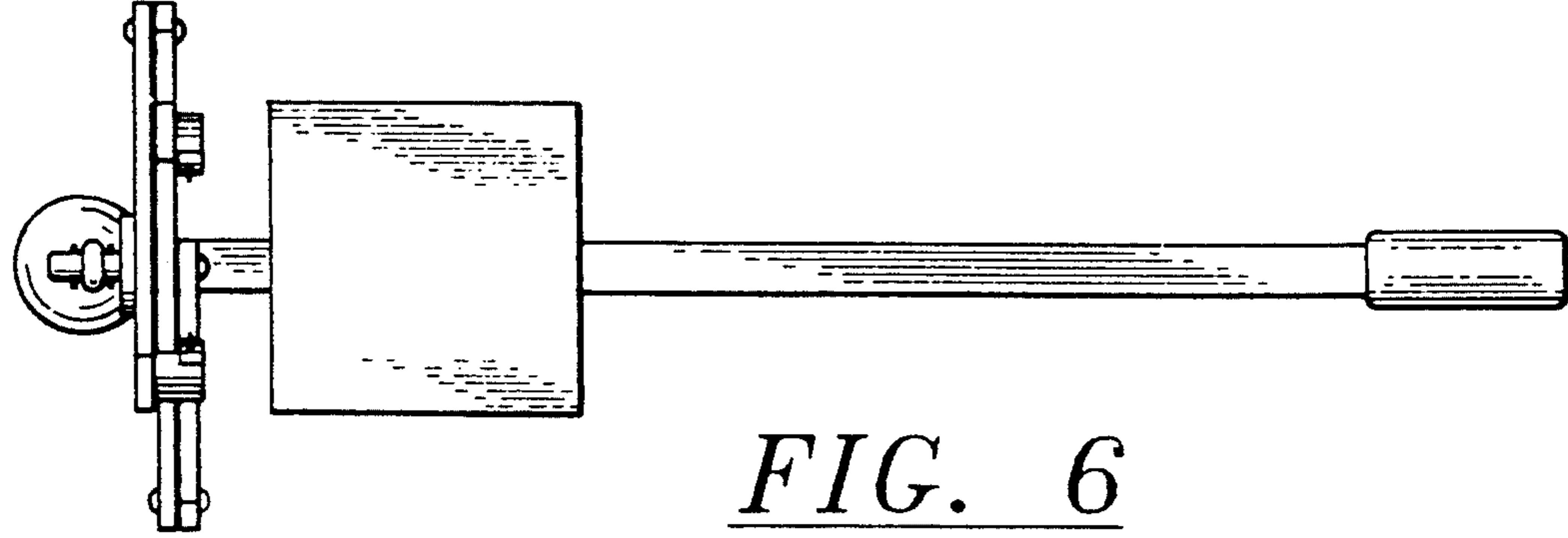


FIG. 6