



US00D340389S

United States Patent [19]

Yamanashi

[11] Patent Number: **Des. 340,389**

[45] Date of Patent: **** Oct. 19, 1993**

[54] **DEVICE FOR DISENGAGING A TERMINAL FITTED IN A CONNECTOR HOUSING**

[75] Inventor: **Makoto Yamanashi, Shizuoka, Japan**

[73] Assignee: **Yazaki Corporation, Japan**

[**] Term: **14 Years**

[21] Appl. No.: **839,877**

[22] Filed: **Feb. 21, 1992**

[52] U.S. Cl. **D8/14; D13/154**

[58] Field of Search **D13/154; D8/14; 439/152, 159, 160; 29/758, 764**

[56] **References Cited**

U.S. PATENT DOCUMENTS

| | | | | |
|------------|---------|----------------|-------|-----------|
| D. 264,300 | 5/1992 | Imm | | D8/14 |
| 3,818,569 | 6/1974 | Kinkaid et al. | | 29/764 |
| 3,999,171 | 12/1976 | Leonard | | 29/764 |
| 4,857,000 | 8/1989 | Van Domelen | | 439/160 X |
| 5,119,547 | 6/1992 | Ii | | 29/764 |

FOREIGN PATENT DOCUMENTS

| | | | | |
|---------|---------|----------------------|-------|--------|
| 2912422 | 10/1980 | Fed. Rep. of Germany | | 29/764 |
|---------|---------|----------------------|-------|--------|

Primary Examiner—Wallace R. Burke

Assistant Examiner—Joel Sincavage
Attorney, Agent, or Firm—Jones & Askew

[57] **CLAIM**

The ornamental design for a device for disengaging a terminal fitted in a connector housing, as shown.

DESCRIPTION

FIG. 1 is a front and upper left perspective view of a device for disengaging a terminal fitted in a connector housing showing my new design;

FIG. 2 is a left side elevational view thereof;

FIG. 3 is a front elevational view thereof;

FIG. 4 is a rear elevational view thereof;

FIG. 5 is a right side elevational view thereof;

FIG. 6 is a top plan view thereof;

FIG. 7 is a bottom plan view thereof;

FIG. 8 is a front and upper left perspective view of a device for disengaging a terminal fitted in a connector housing showing a second embodiment of my new design;

FIG. 9 is a left side elevational view thereof;

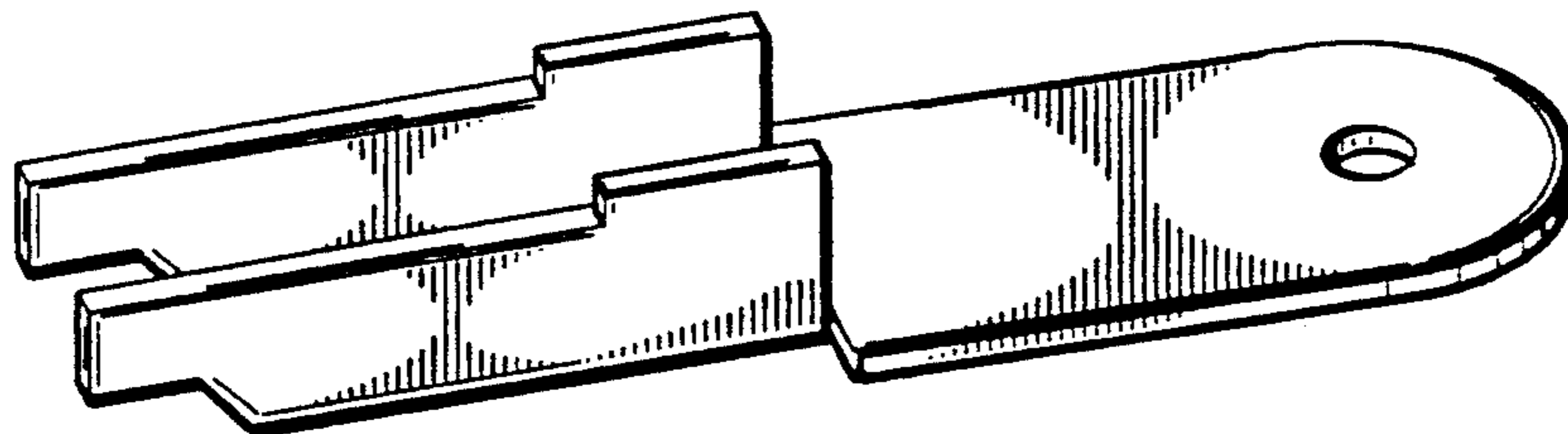
FIG. 10 is a front elevational view thereof;

FIG. 11 is a rear elevational view thereof;

FIG. 12 is a right side elevational view thereof;

FIG. 13 is a top plan view thereof; and,

FIG. 14 is a bottom plan view thereof.



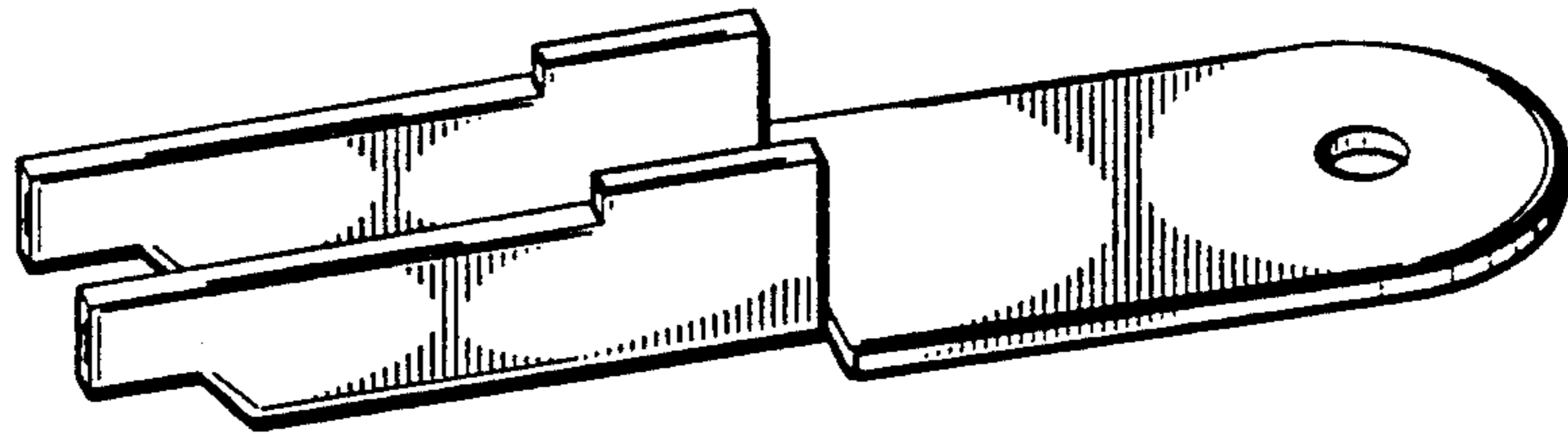


FIG 1

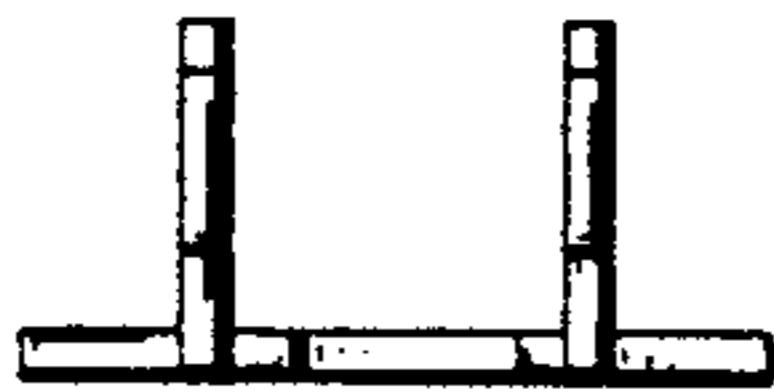


FIG 2



FIG 3

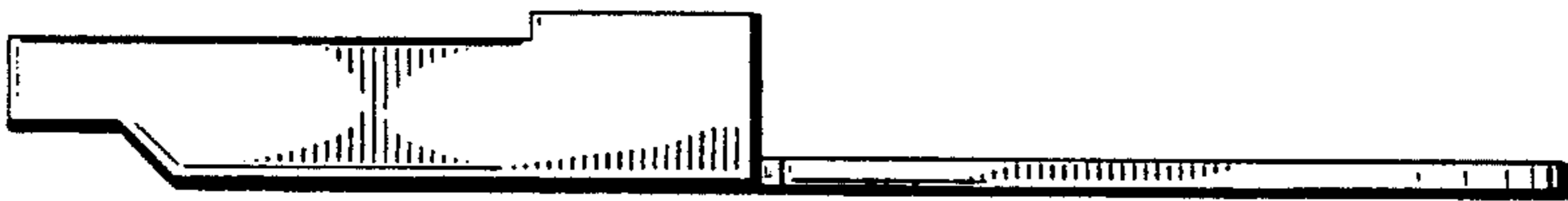


FIG 4

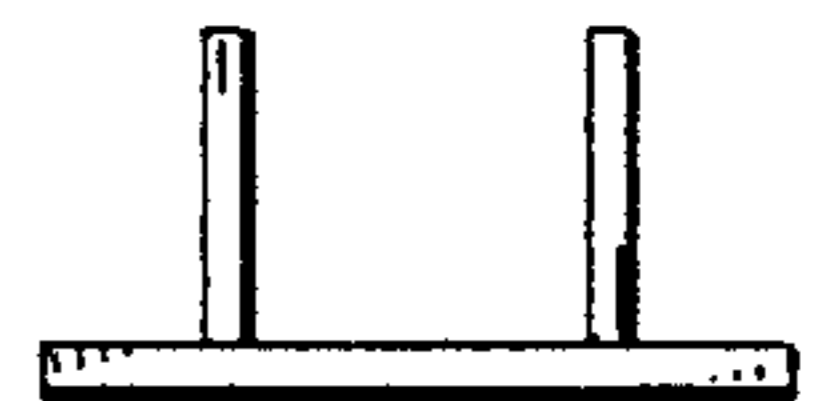


FIG 5

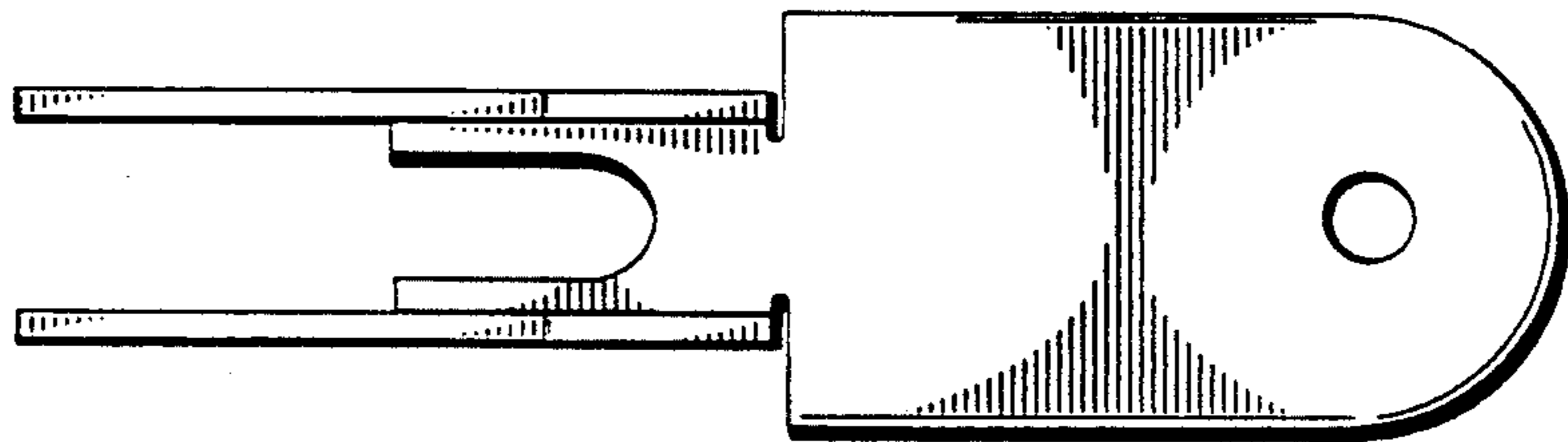


FIG 6

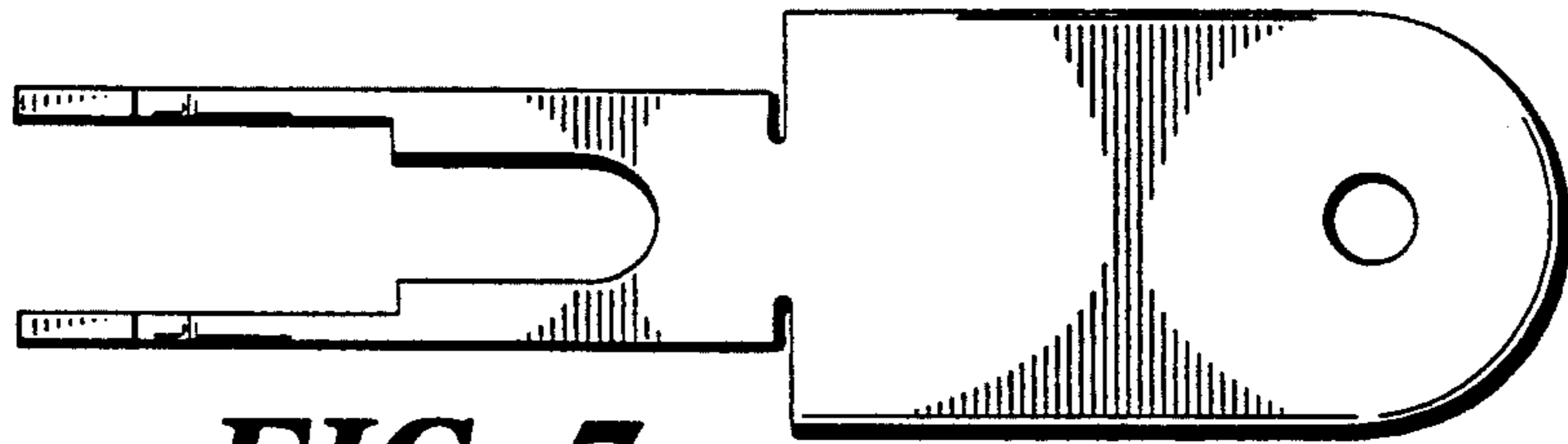


FIG 7

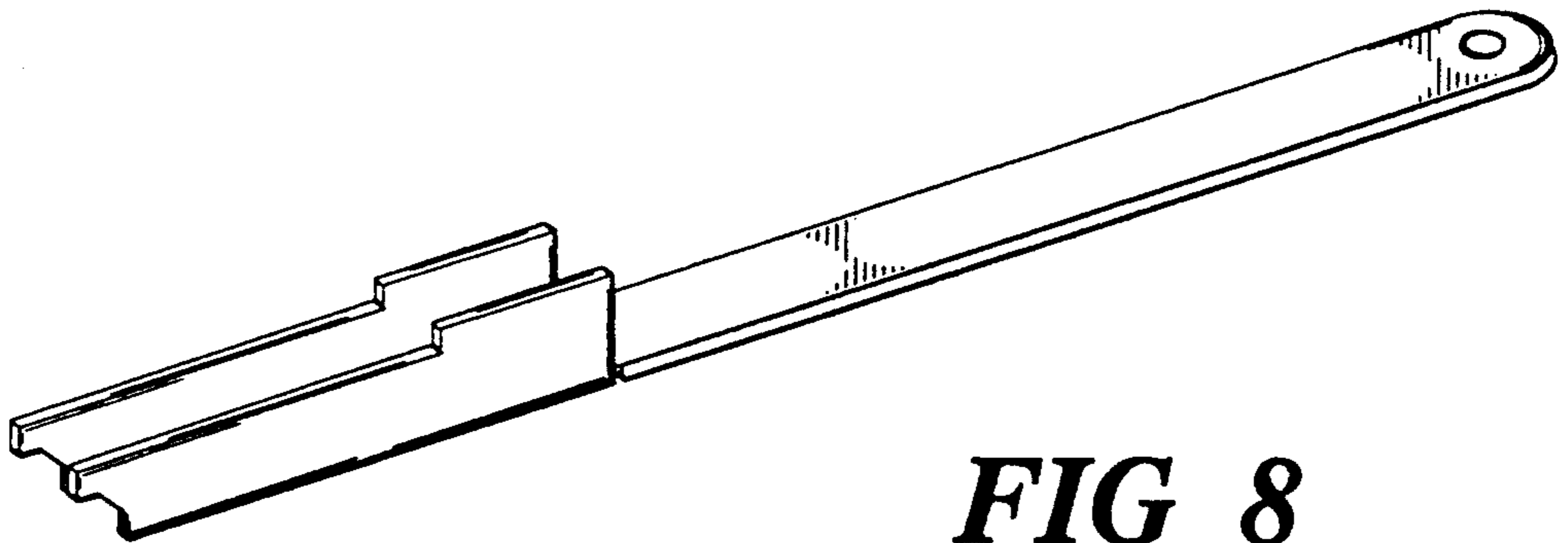


FIG 8

FIG 9

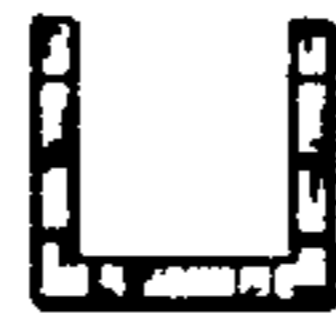


FIG 10

FIG 11





FIG 12



FIG 13

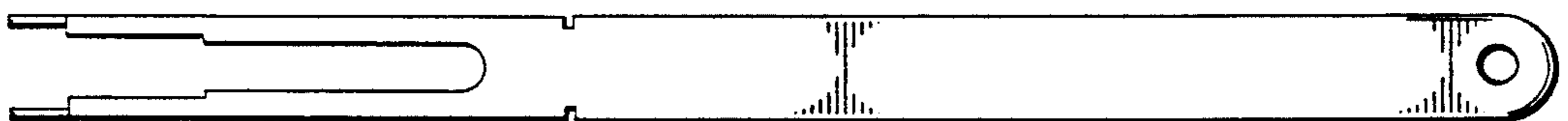


FIG 14