



US00D340388S

# United States Patent [19]

Sedivec

[11] Patent Number: Des. 340,388

[45] Date of Patent: \*\* Oct. 19, 1993

[54] BEVERAGE CONTAINER HOLDER

[76] Inventor: Gregory C. Sedivec, 4006 Hill Rd., Boise, Id. 83703

[\*\*] Term: 14 Years

[21] Appl. No.: 736,911

[22] Filed: Jul. 29, 1991

[52] U.S. Cl. .... D7/620

[58] Field of Search ..... D7/616-625;  
D3/40, 78; 62/457.1, 457.3, 457.4; 211/74, 75;  
248/311.2, 316.7

[56] References Cited

U.S. PATENT DOCUMENTS

- D. 175,159 7/1955 Dunkle ..... D7/620
- D. 311,300 10/1990 Anderson ..... D7/605
- 3,104,040 9/1963 Stevens ..... D7/620 X

Primary Examiner—Terry A. Wallace

Attorney, Agent, or Firm—Frank J. Dykas; Craig M. Korfanta; Ken J. Pedersen

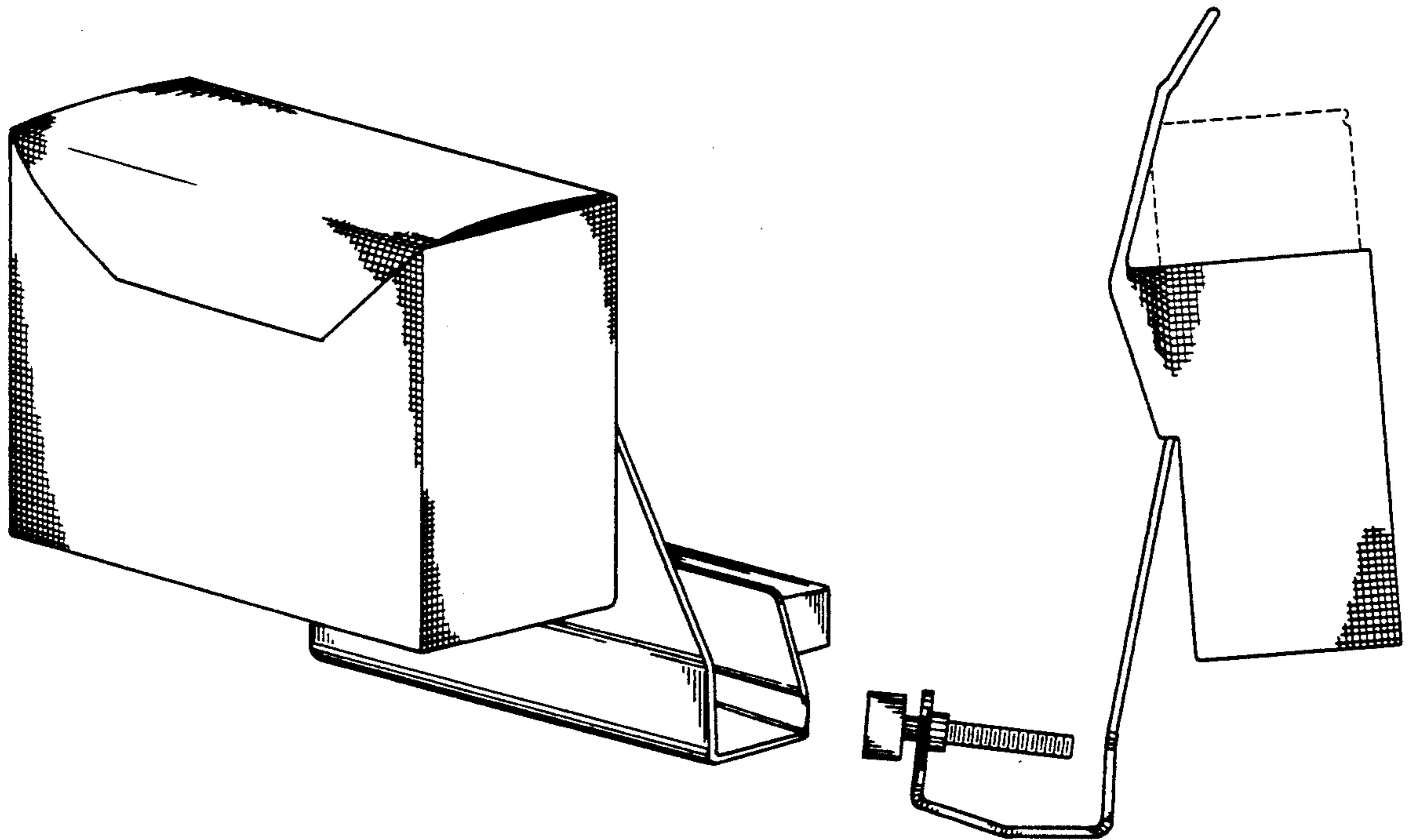
[57] CLAIM

The ornamental design for a beverage container holder, as shown and described.

DESCRIPTION

FIG. 1 is a right side elevational view of the beverage container holder showing my new design;  
 FIG. 2 is a front elevational view thereof;  
 FIG. 3 is a front perspective view thereof shown in a closed position;  
 FIG. 4 is a left side elevational view thereof;  
 FIG. 5 is a rear elevational view thereof;  
 FIG. 6 is a bottom plan view thereof; and,  
 FIG. 7 is a top plan view thereof shown in a closed position.

The automobile seat and beverage can shown in broken lines are for illustrative purposes only and form no part of the claim.



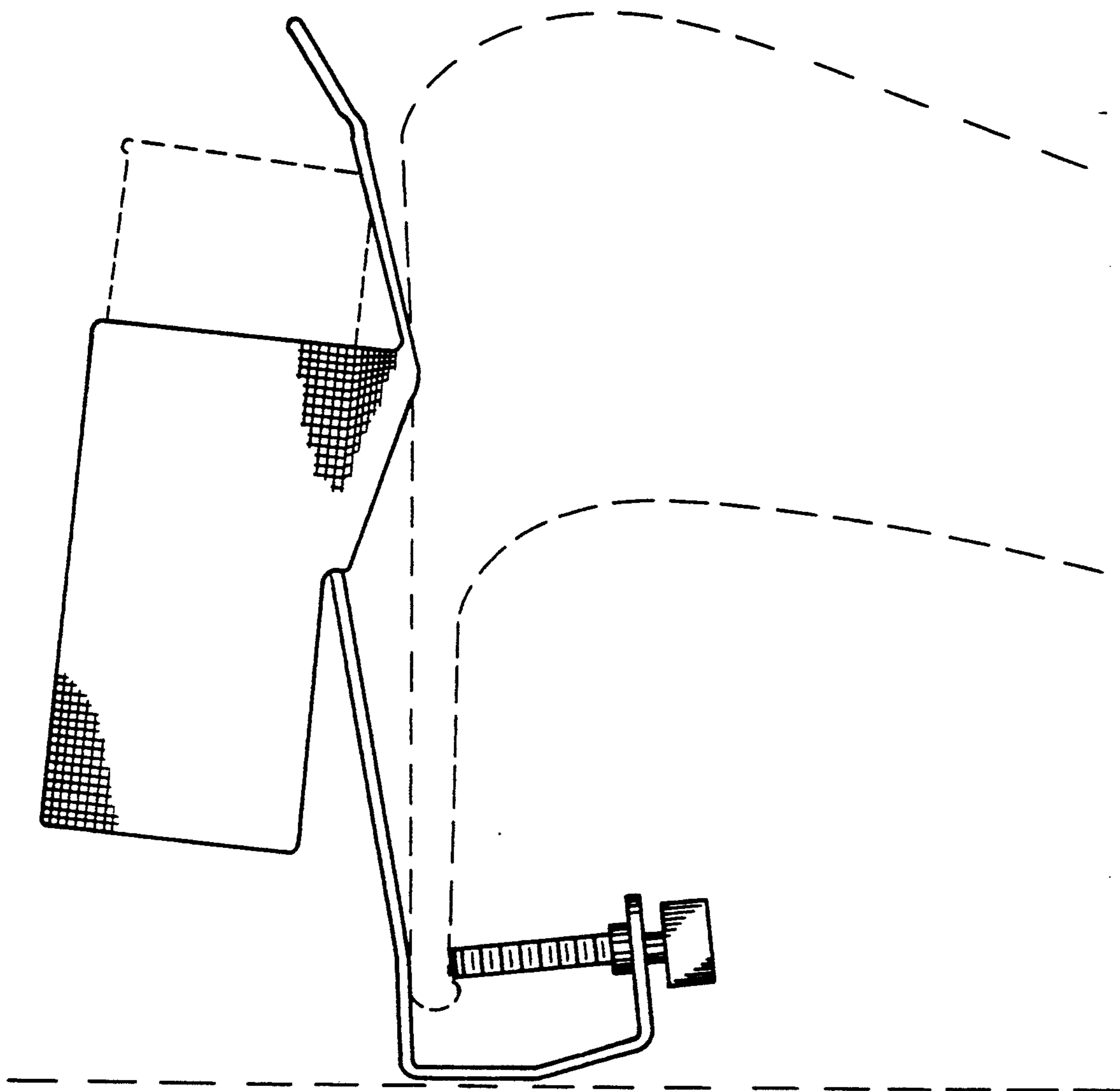


FIG. 1

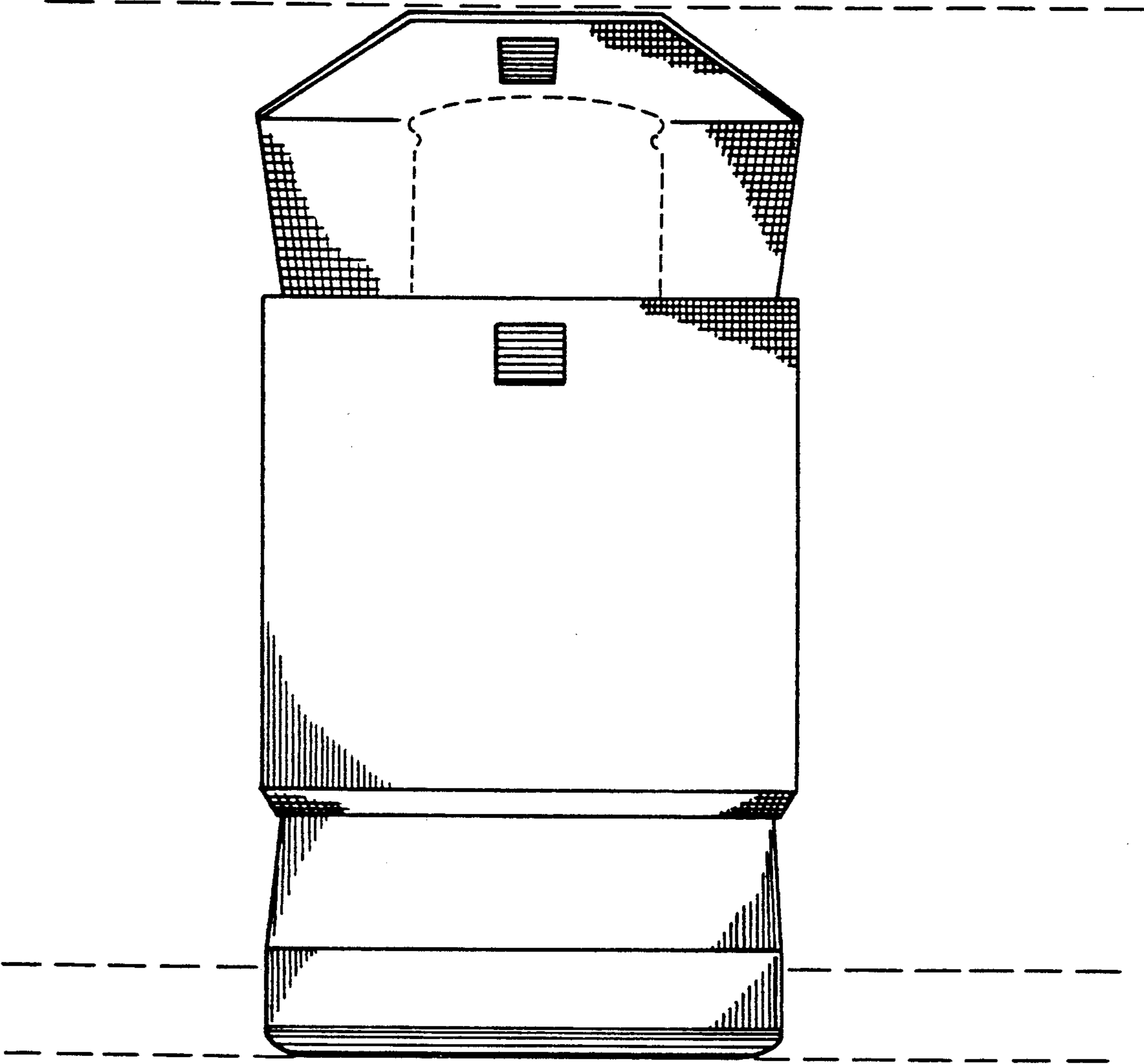


FIG. 2

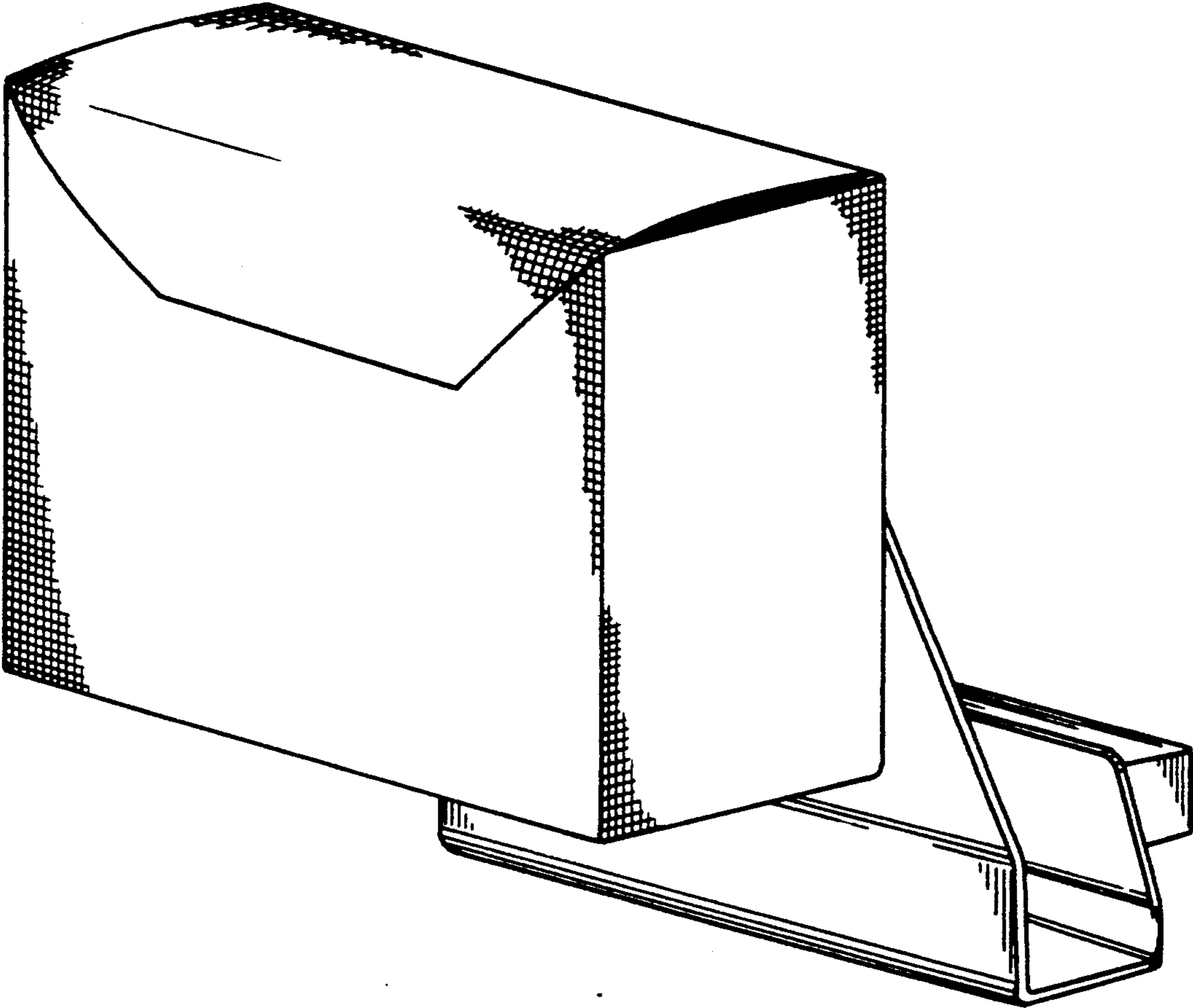


FIG. 3

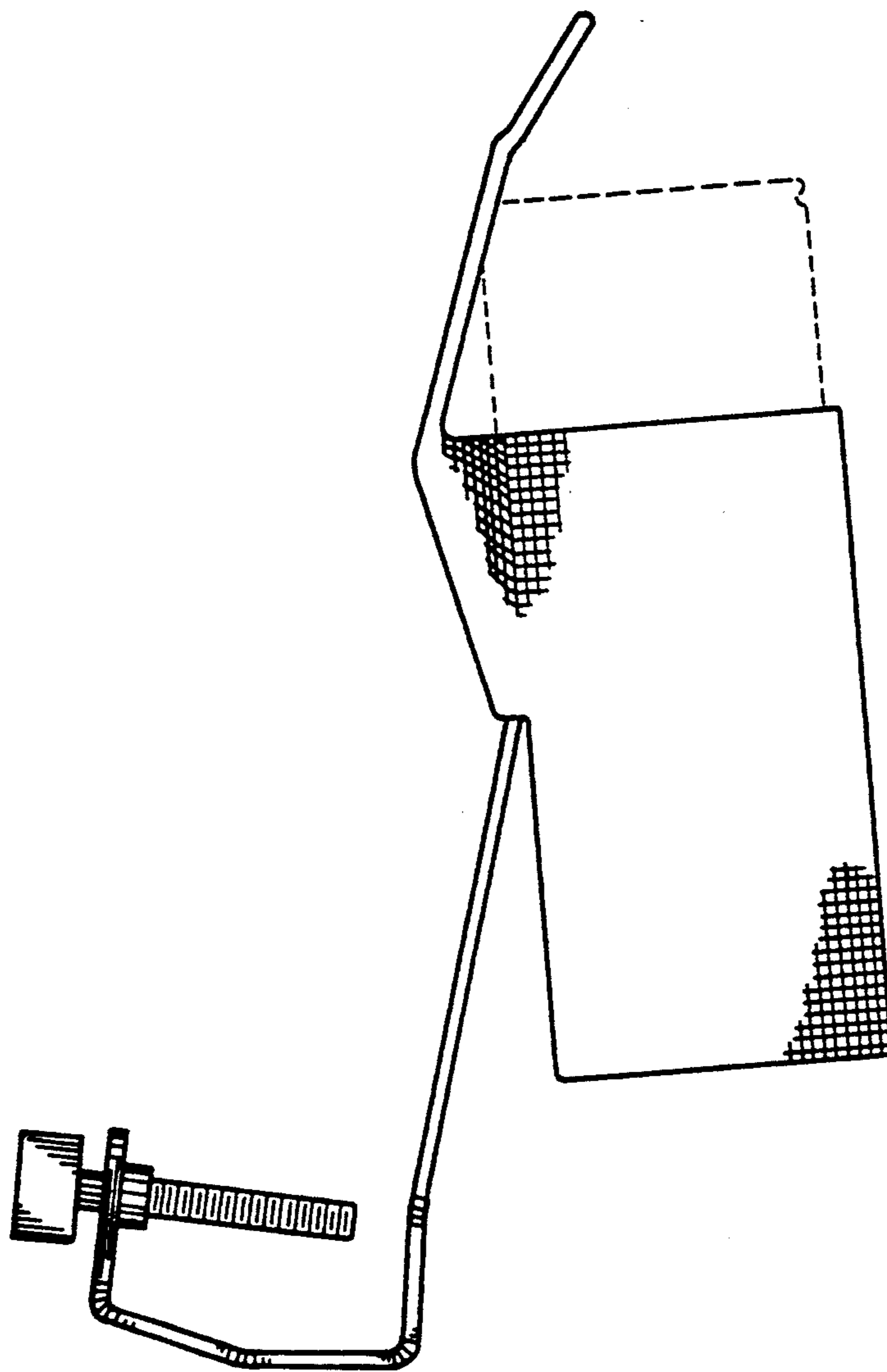


FIG. 4

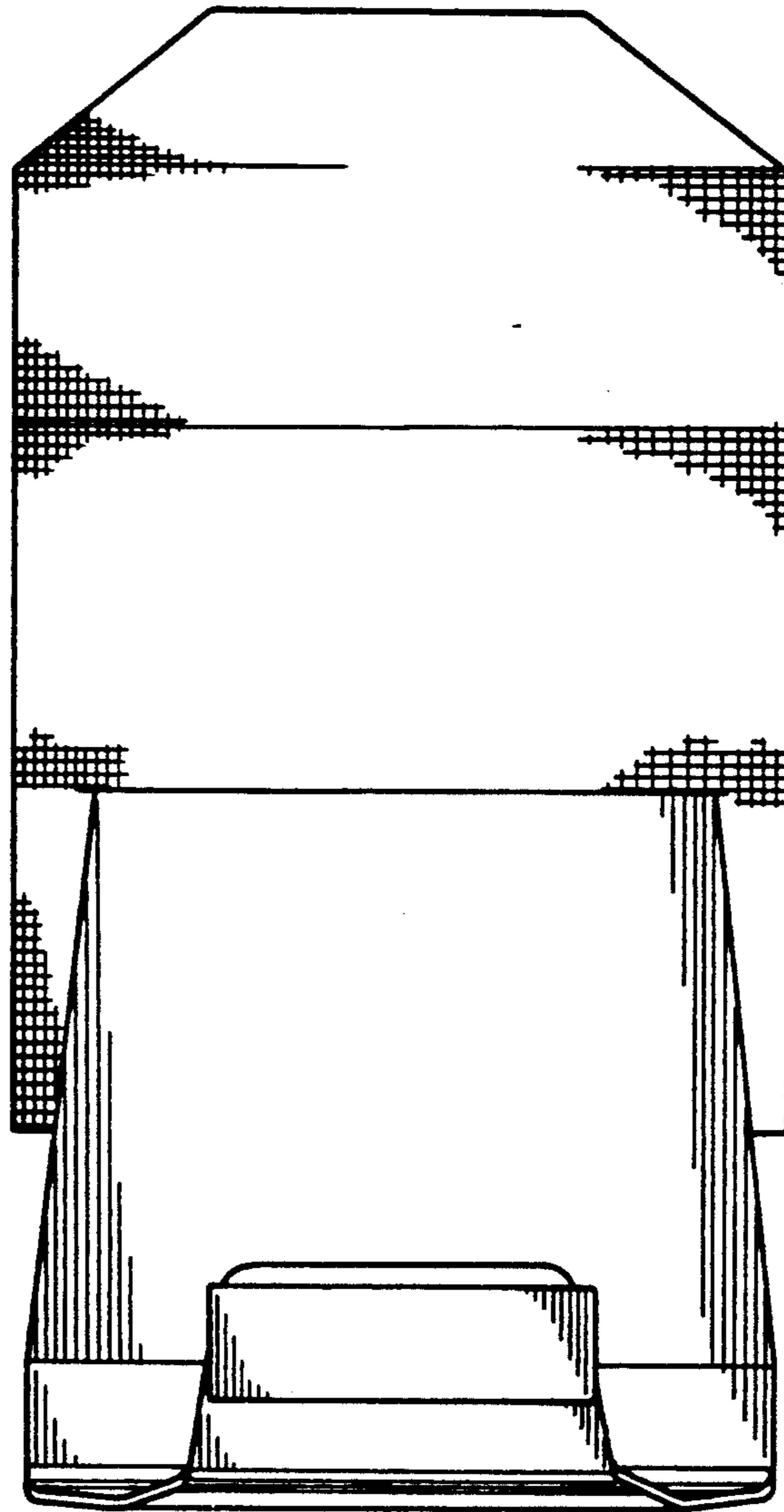


FIG. 5

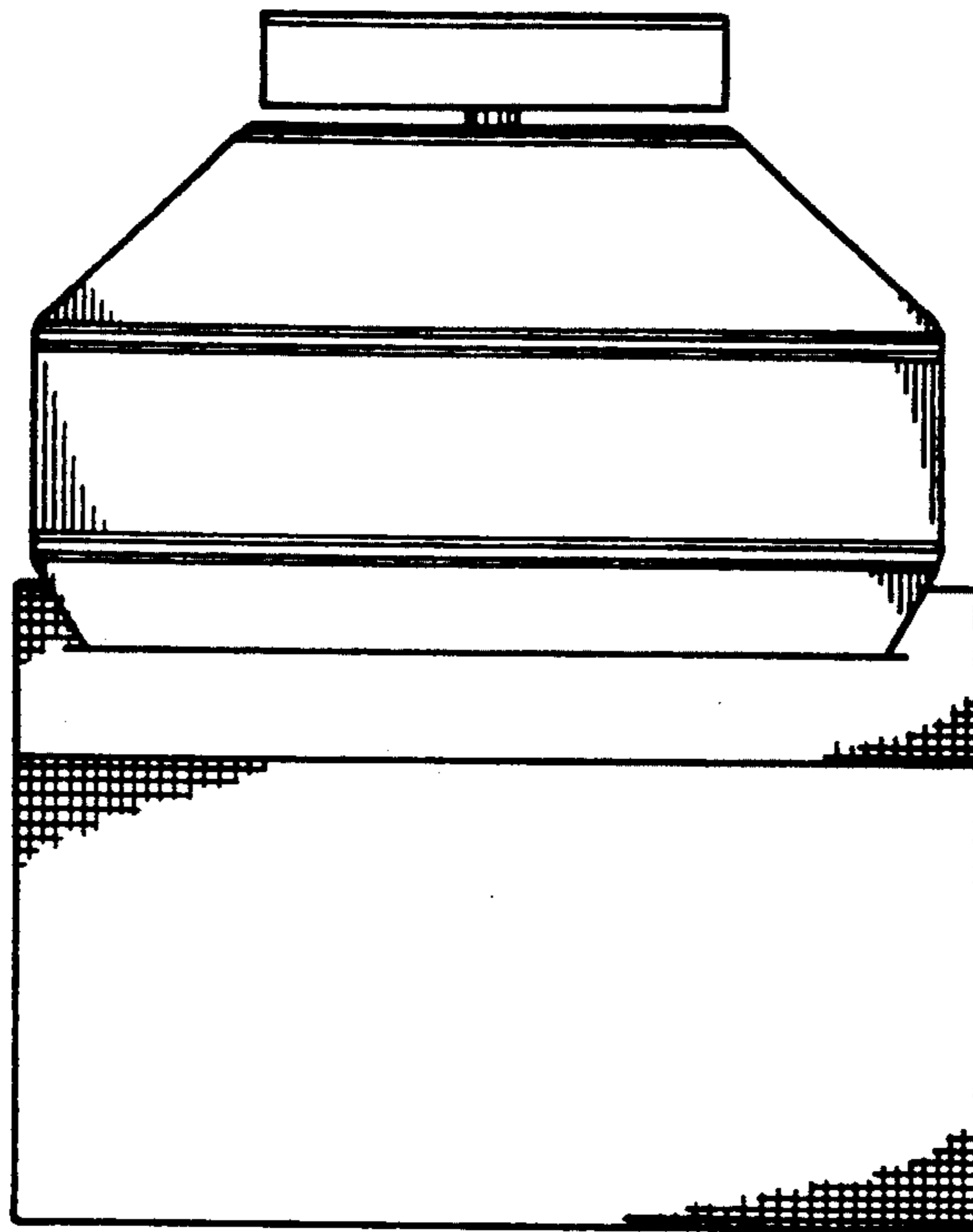


FIG. 6

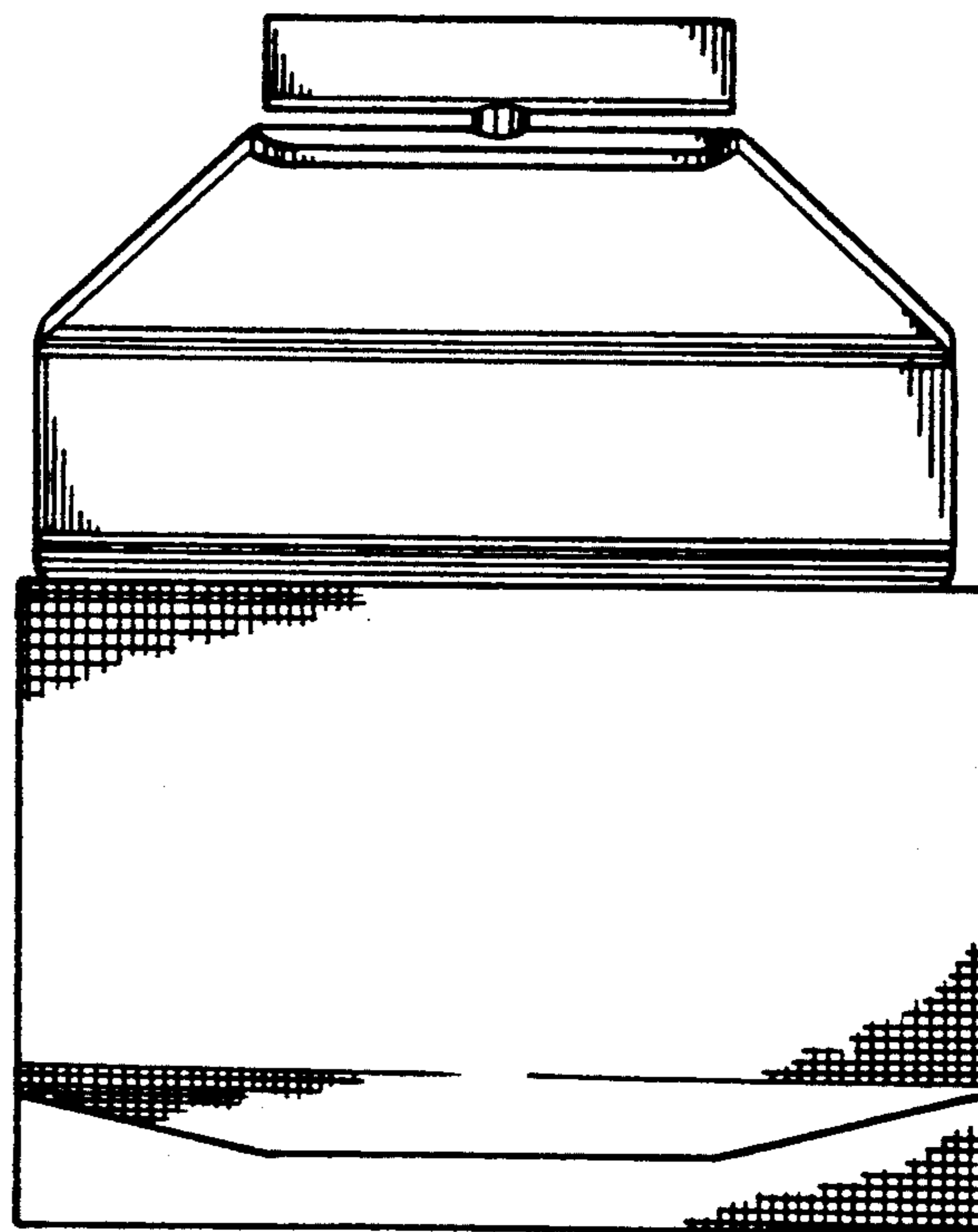


FIG. 7