



US00D340383S

United States Patent [19]

[11] Patent Number: **Des. 340,383**

Addison et al.

[45] Date of Patent: **** Oct. 19, 1993**

[54] **HEAT REDUCTION VOLUME COMPENSATOR WITH CURLED FINS FOR DISPOSITION BETWEEN A COFFEE POT AND HOT PLATE**

2,142,418	1/1939	Stocker	126/214 C
4,154,218	5/1979	Hulet	126/214 C
4,798,937	1/1989	Guerrero	126/214 D
4,858,590	8/1989	Bailey	126/39 H
4,896,022	1/1990	Schroeder et al.	126/215

[76] Inventors: **F. Clark Addison**, 3804 W. Eisenhower Ave., Loveland, Colo. 80537; **Peder J. Thorstensen**, P.O. Box 1025, Loveland, Colo. 80539

Primary Examiner—Ruth McInroy
Attorney, Agent, or Firm—Fields, Lewis, Pittenger & Rost

[**] Term: **14 Years**

[57] **CLAIM**

[21] Appl. No.: **751,684**

The ornamental design for a heat reduction volume compensator with curled fins for disposition between a coffee pot and hot plate, as shown and described.

[22] Filed: **Aug. 29, 1991**

[52] U.S. Cl. **D7/407; D7/402**

DESCRIPTION

[58] **Field of Search** D7/339-340, D7/346-347, 332, 338, 402, 407-409; 126/39 R, 39 E, 39 H, 211, 214 C, 299 D, 300, 215, 37 R, 42, 214 D; 99/422, 444-446, 450, 460; 219/443, 458, 432, 430

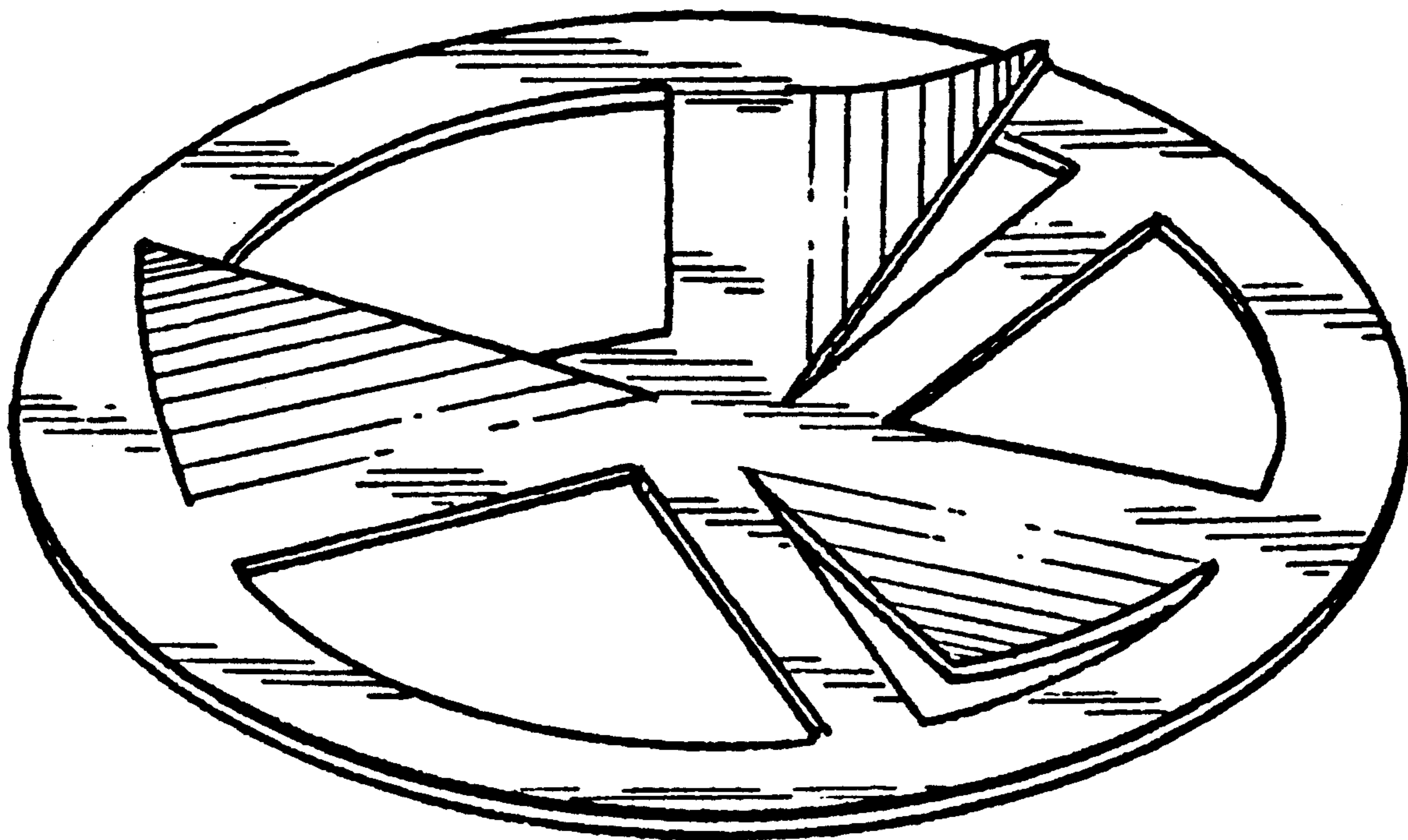
FIG. 1 is a top perspective view of a heat reduction volume compensator with curled fins for disposition between a coffee pot and hot plate showing our new design;

[56] **References Cited**

U.S. PATENT DOCUMENTS

D. 122,275	9/1940	Reeves	126/214 C
D. 276,973	1/1985	Crossley	D7/402
D. 306,118	2/1990	Guerrero	D7/408
1,158,135	10/1915	Lake	D7/407
1,732,569	10/1929	Scheid	126/215
1,808,550	6/1931	Harpman	126/215

FIG. 2 is a top plan view thereof;
FIG. 3 is a bottom plan view thereof;
FIG. 4 is an elevational view taken along arrow 4 of FIG. 2;
FIG. 5 is an elevational view taken along arrow 5 shown in FIG. 2;
FIG. 6 is an elevational view taken along arrow 6 of FIG. 2; and,
FIG. 7 is an elevational view taken along arrow 7 of FIG. 2.



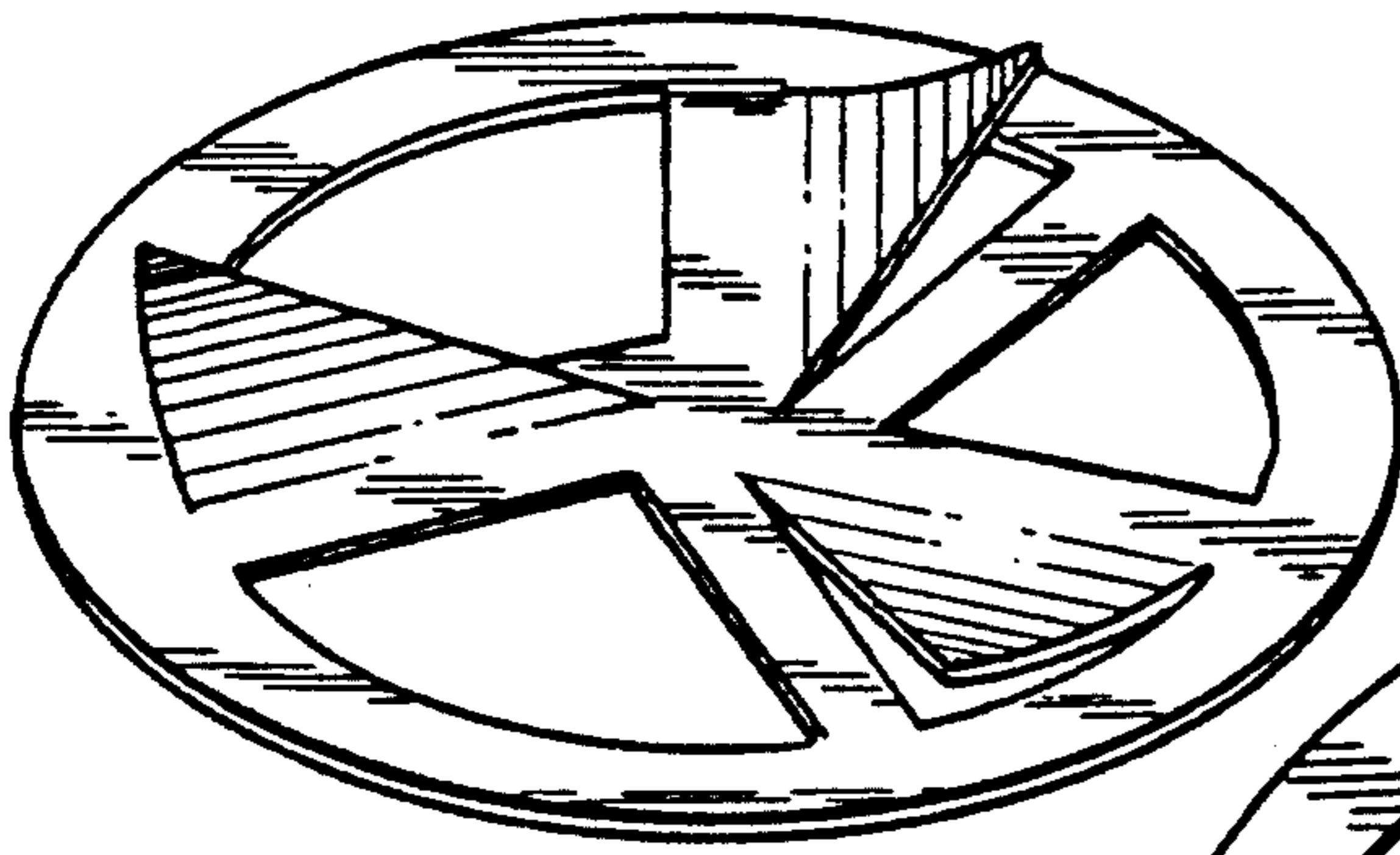


Fig. 1

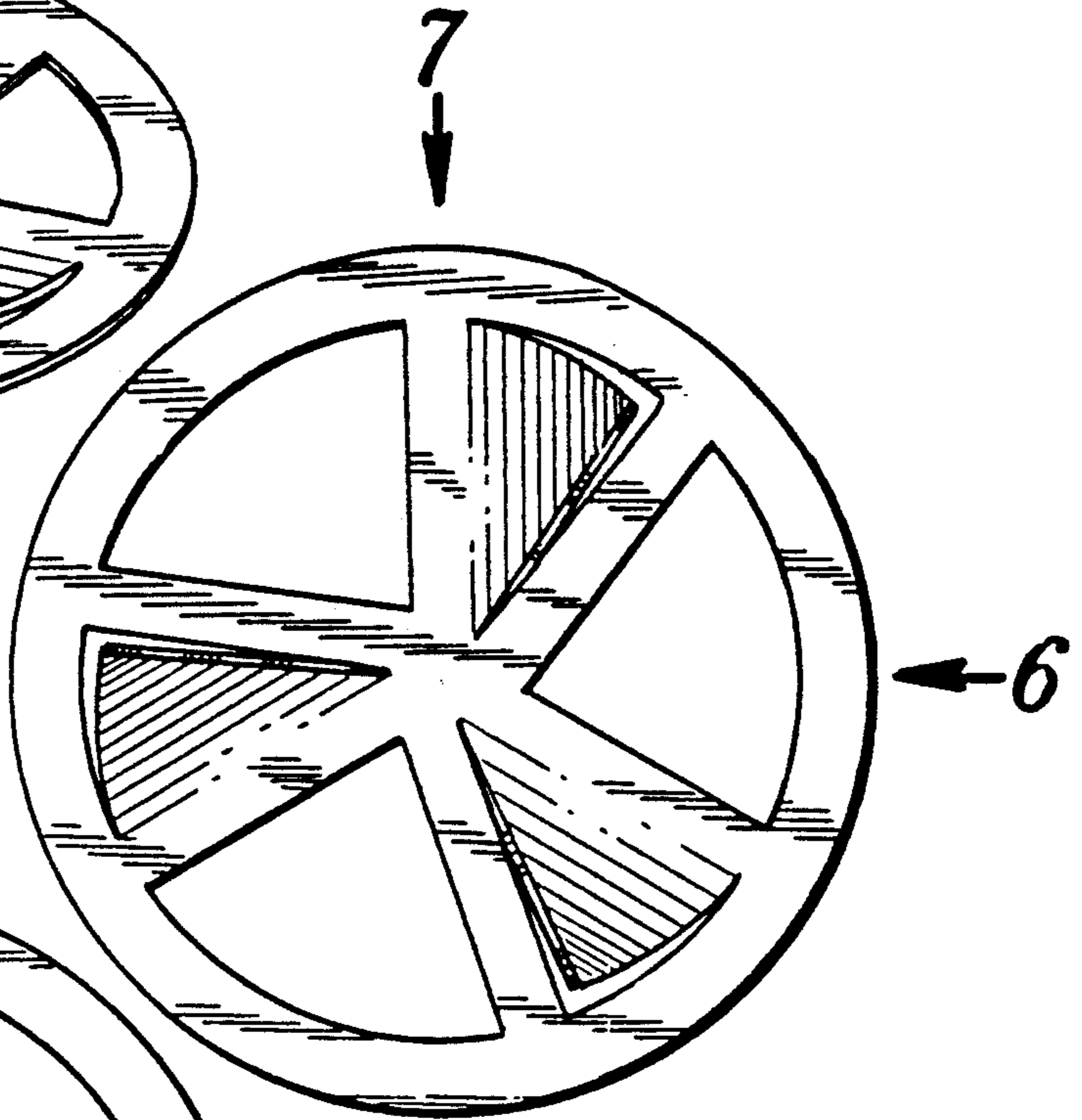


Fig. 2

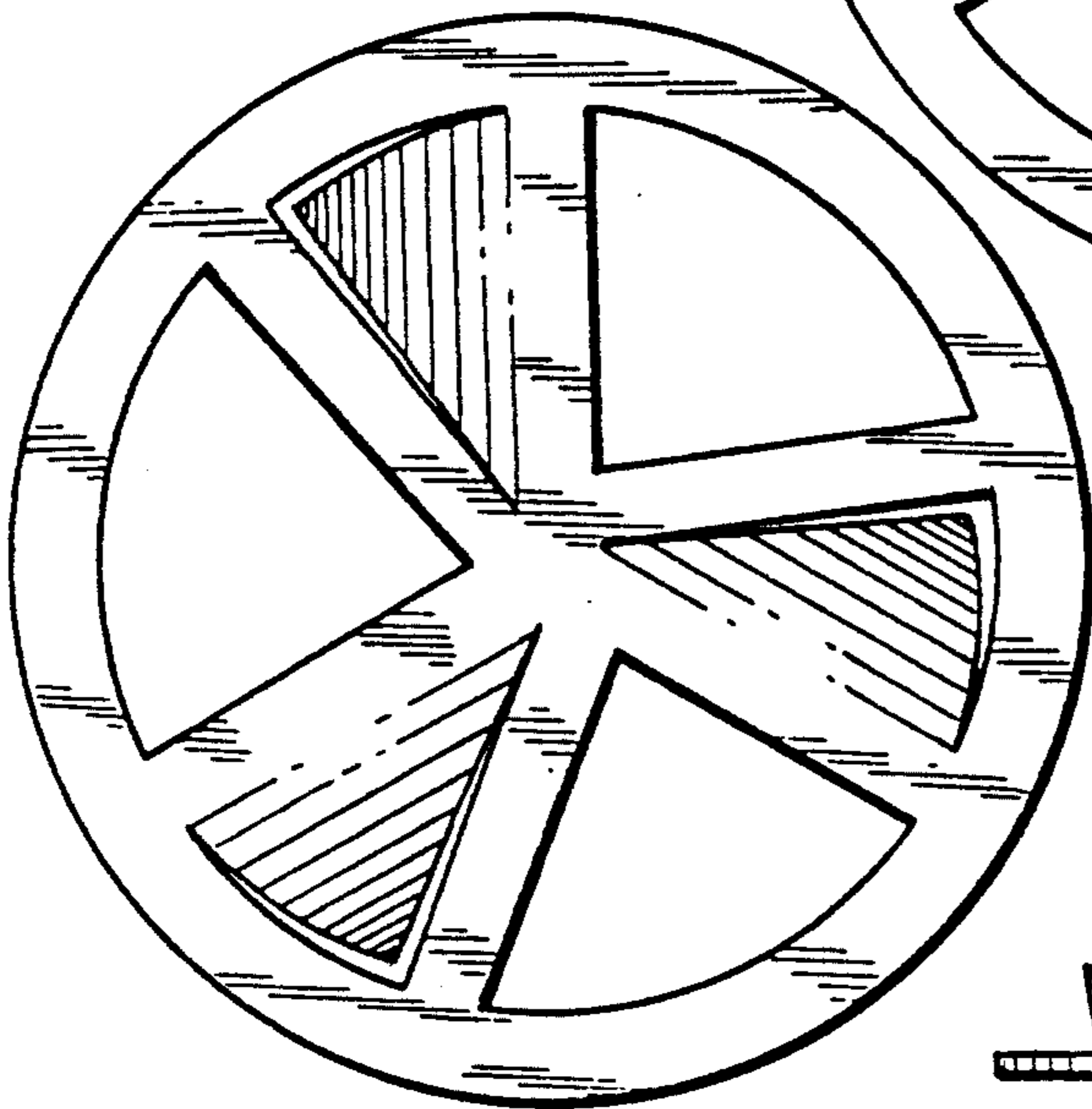


Fig. 3



Fig. 4



Fig. 5



Fig. 6



Fig. 7