



US00D340382S

United States Patent [19]

Bannigan

[11] **Patent Number: Des. 340,382**

[45] **Date of Patent: ** Oct. 19, 1993**

[54] **BASKET FOR A BEVERAGE MAKER**

[75] **Inventor: Francis R. Bannigan, Victoria, Australia**

[73] **Assignee: Kambrook Distributing Pty. Ltd., Australia**

[**] **Term: 14 Years**

[21] **Appl. No.: 714,764**

[22] **Filed: Jun. 12, 1991**

[30] **Foreign Application Priority Data**

Dec. 13, 1990 [AU] Australia 4027/90

[52] **U.S. Cl. D7/400**

[58] **Field of Search D7/400, 309, 399, 310, D7/402, 305, 306, 307; 99/306, 323, 295, 299; 210/500.23, 500.1, 479, 482, 481; D23/209; D32/53**

[56] **References Cited**

U.S. PATENT DOCUMENTS

- D. 241,402 9/1976 Painter D7/400
- D. 250,445 12/1978 Braun D7/400

- D. 266,894 11/1982 Bernsten D7/309 X
- D. 270,699 9/1983 Rakocy et al. D7/309
- 1,574,021 2/1926 Bonell 99/295 X
- 3,374,897 3/1968 Martin 99/306 X
- 3,388,804 6/1968 Hester 210/477
- 4,303,525 12/1981 Stover 99/306 X
- 4,676,396 6/1987 Mamocou D7/400 X
- 4,697,503 10/1987 Okabe et al. D7/400 X
- 4,921,712 5/1990 Malmquist 99/306 X

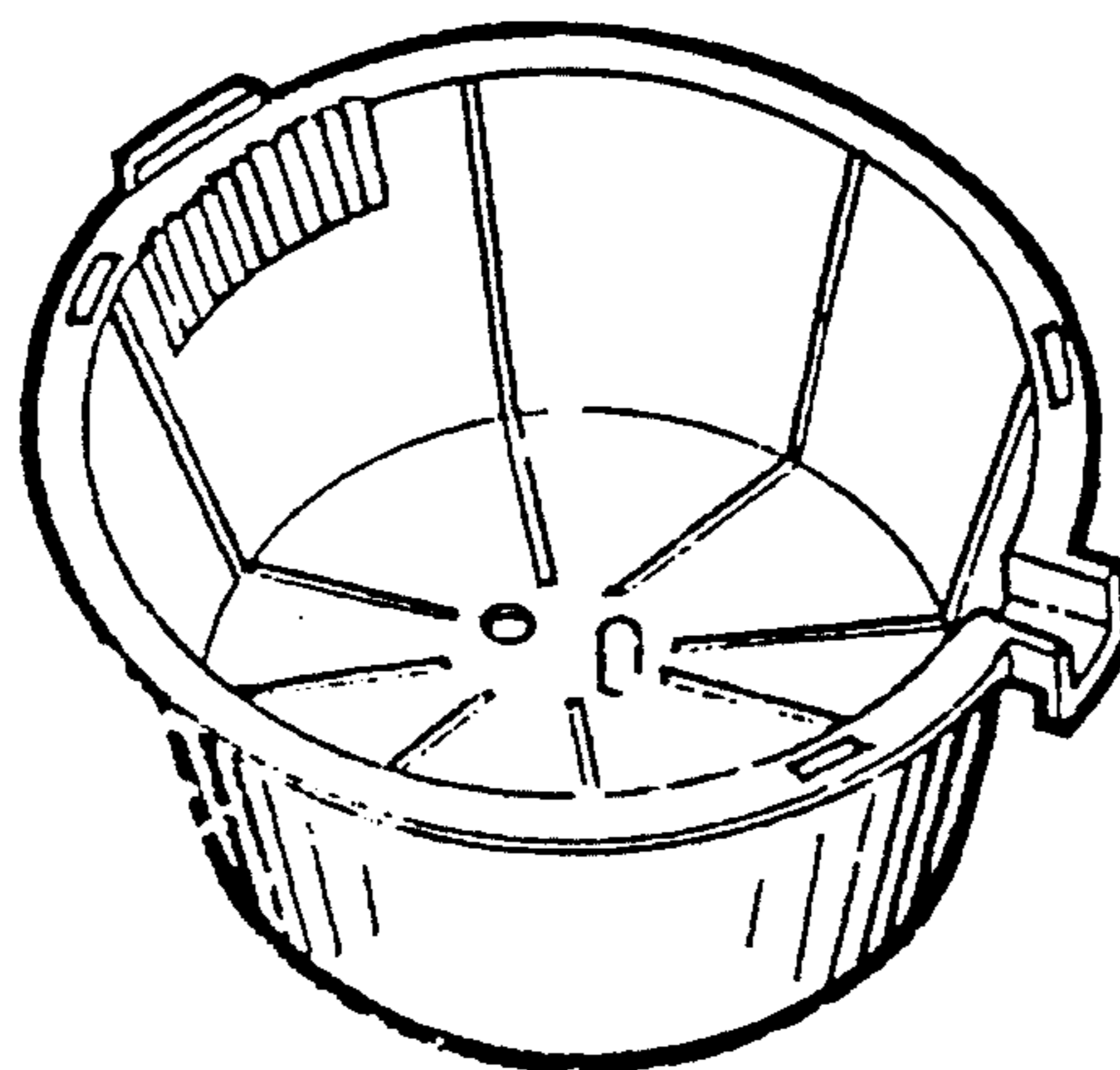
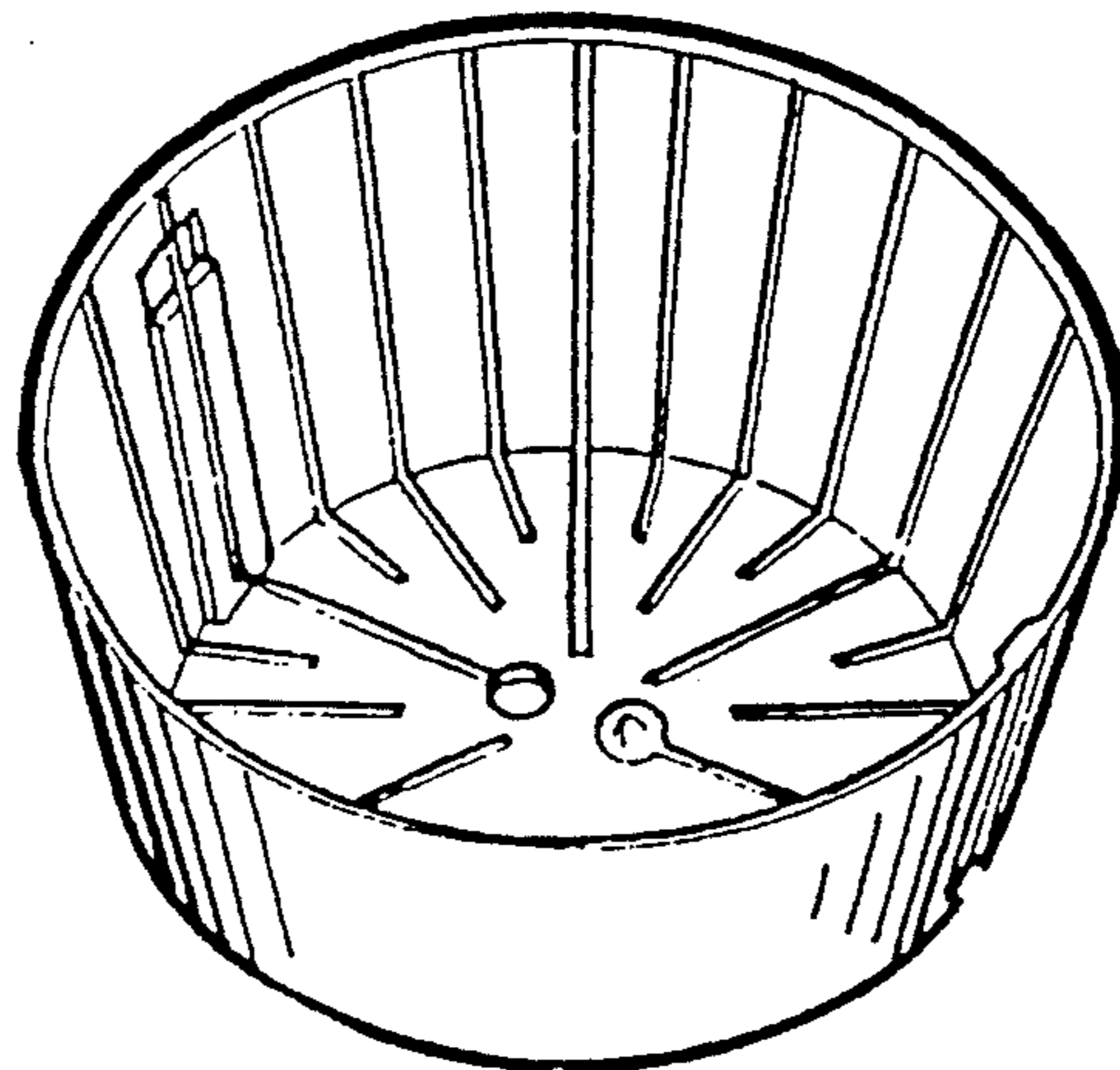
Primary Examiner—Alan P. Douglas
Assistant Examiner—M. N. Pandozzi
Attorney, Agent, or Firm—Andrus, Scales, Starke & Sawall

[57] **CLAIM**

The ornamental design for a basket for a beverage maker, as shown.

DESCRIPTION

FIG. 1 is an exploded top perspective view of a basket for a beverage maker showing my new design; FIG. 2 is an exploded bottom perspective view thereof; and, FIG. 3 is a perspective view of the basket for a beverage maker from the same angle as FIG. 1.



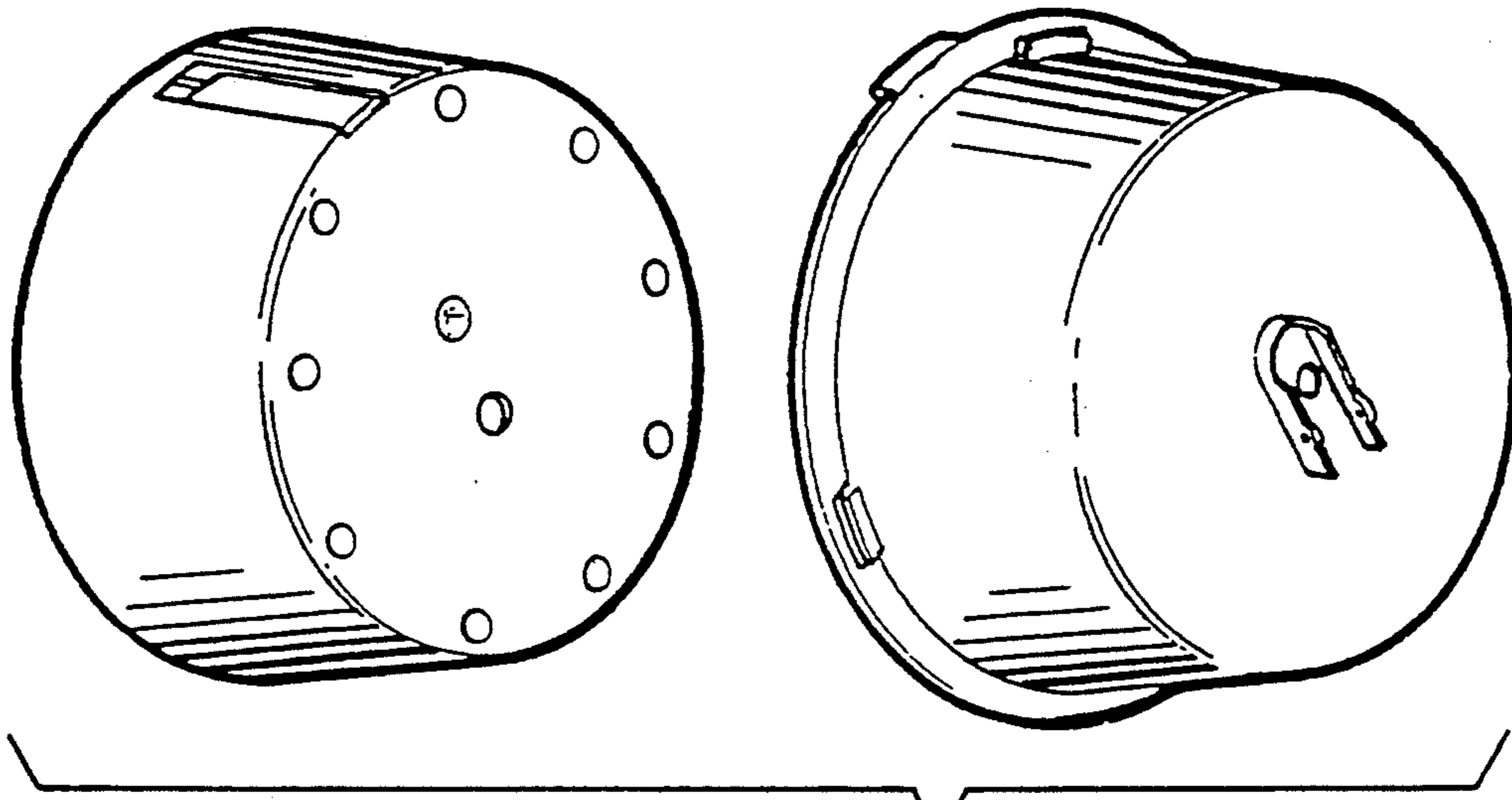


FIG. 2

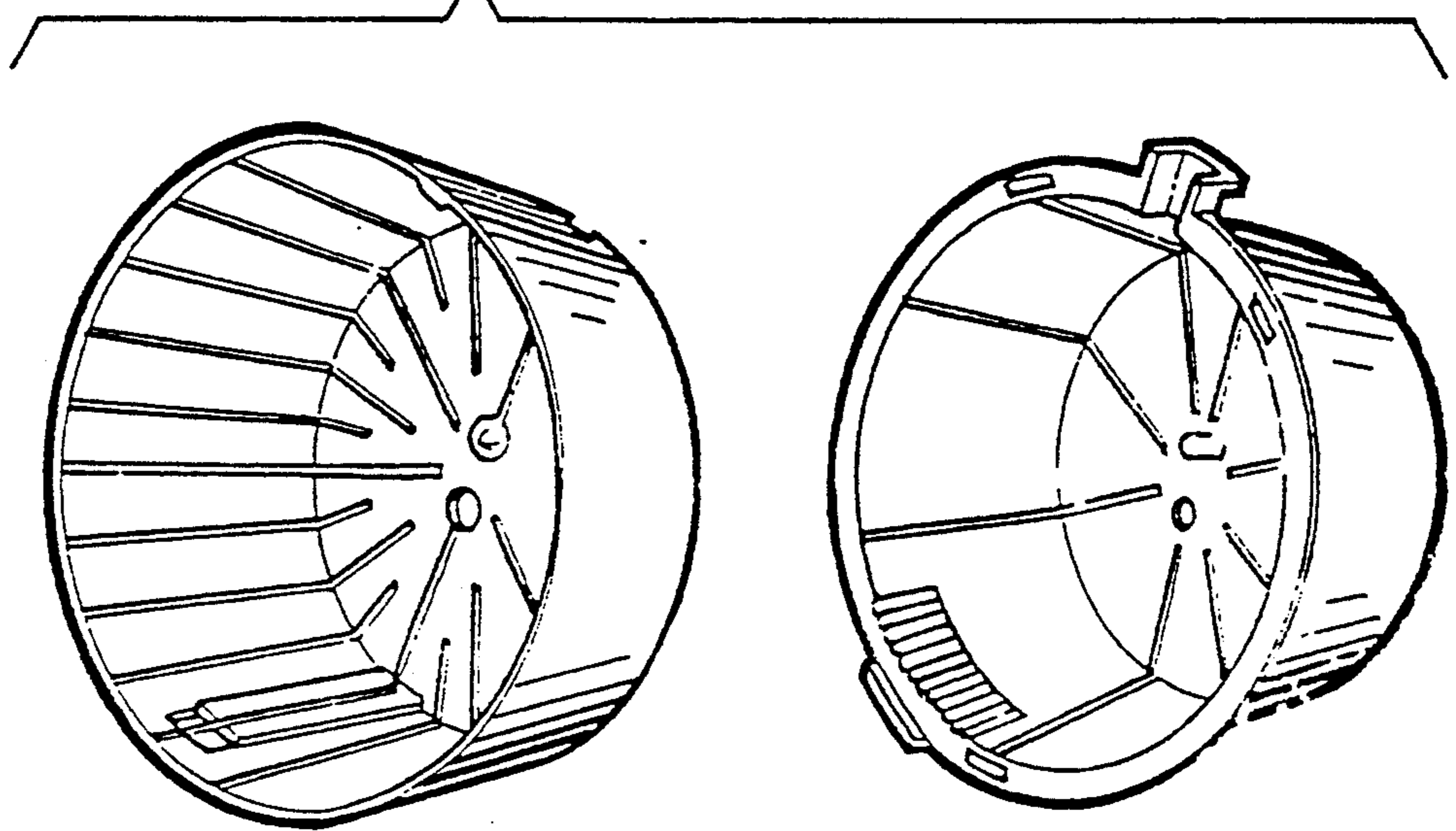


FIG. 1

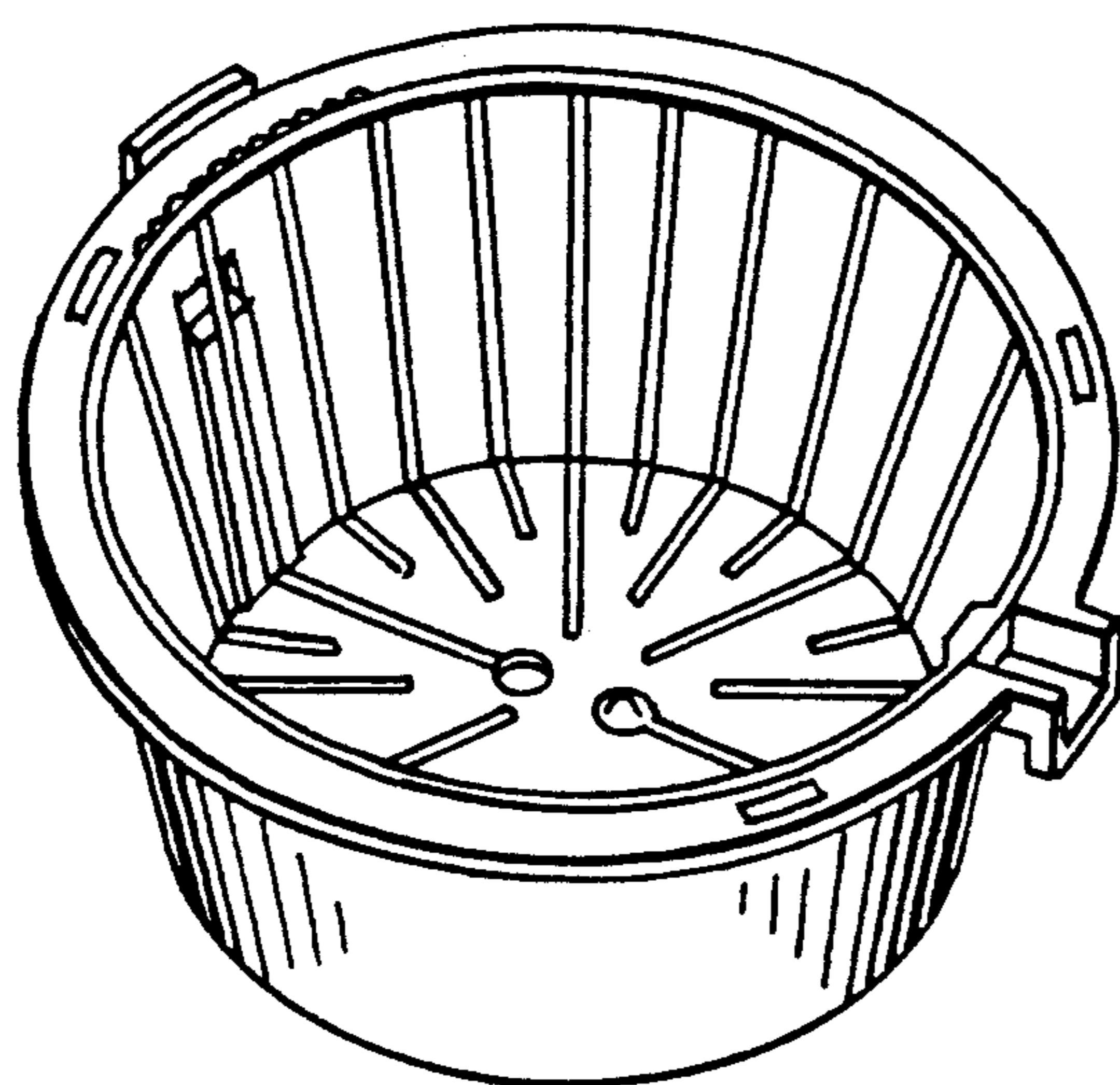


FIG. 3