



US00D340381S

United States Patent [19]

[11] Patent Number: **Des. 340,381**

Mermillod

[45] Date of Patent: **** Oct. 19, 1993**

[54] **COFFEE MAKER** 5,127,318 7/1992 Selby, III 99/295

[75] Inventor: **Jean-Francois Mermillod, St-Jean de Sixt, France**

OTHER PUBLICATIONS

Krups Gaggia HFD-Retailing Home Furnishings Aug. 27, 1979, p. 18.

[73] Assignee: **Calor S.A., Lyons, France**

Primary Examiner—Alan P. Douglas
Assistant Examiner—M. N. Pandozzi
Attorney, Agent, or Firm—Young & Thompson

[**] Term: **14 Years**

[21] Appl. No.: **802,780**

[22] Filed: **Dec. 6, 1991**

[57] CLAIM

The ornamental design for a coffee maker, as shown and described.

[30] Foreign Application Priority Data

Jun. 7, 1991 [FR] France 913538

DESCRIPTION

[52] U.S. Cl. **D7/309; D7/311**

[58] Field of Search **D9/300, 301, 305, 306, D9/307, 308, 309, 310, 311, 312, 313; 91/295, 293, 290**

FIG. 1 is a front elevational view of a coffee maker, showing my new design;

FIG. 2 is a rear elevational view thereof;

FIG. 3 is a left side view thereof;

FIG. 4 is a right side view thereof;

FIG. 5 is a top plan view thereof; and,

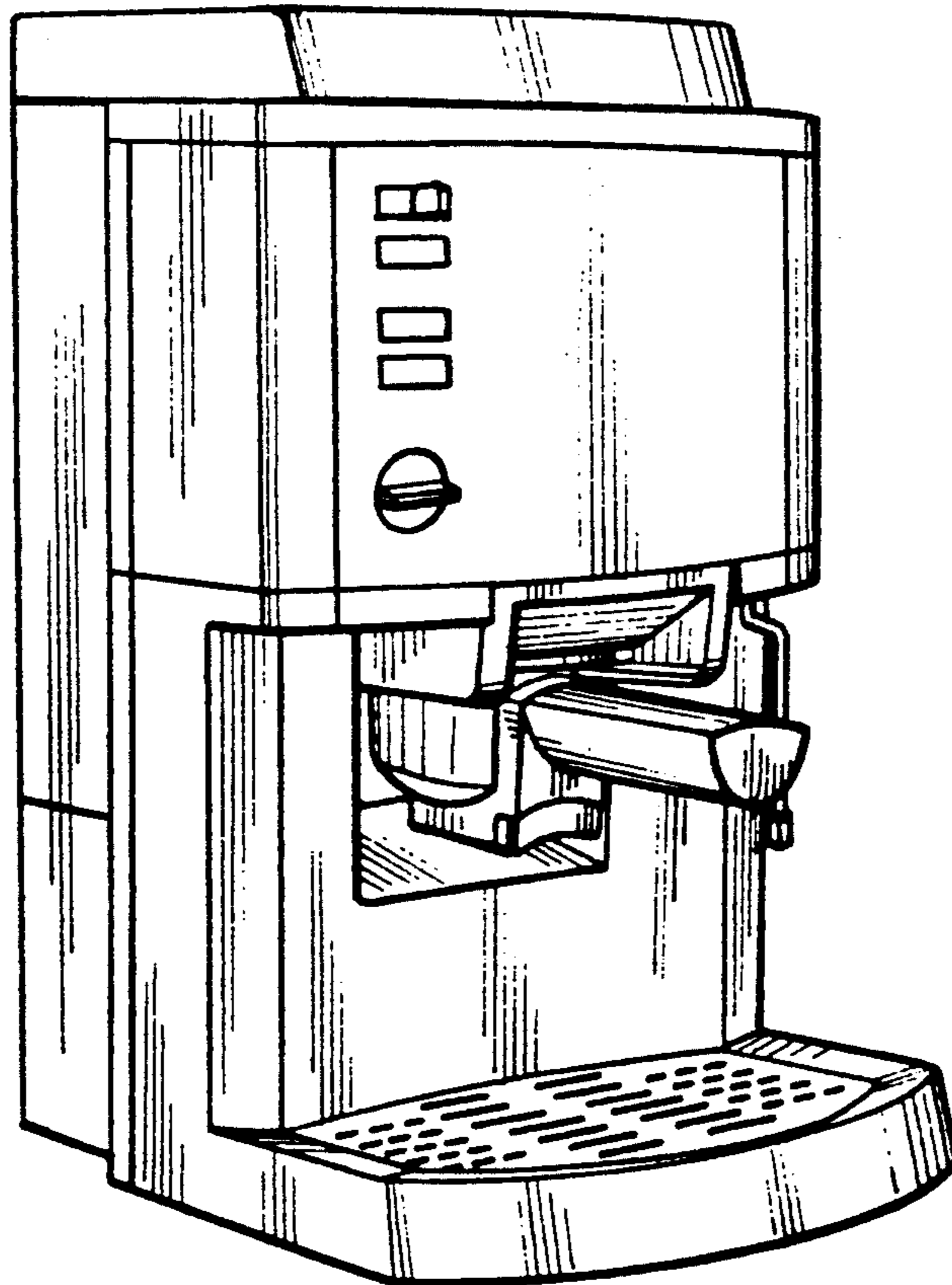
FIG. 6 is a three-quarter perspective view from the left side thereof.

The bottom plan view is plain and unornamented.

[56] References Cited

U.S. PATENT DOCUMENTS

- D. 246,310 11/1977 Syvesson et al. D7/309
- D. 309,843 8/1990 Reichmann D7/309
- D. 324,621 3/1992 Haslacher D7/309



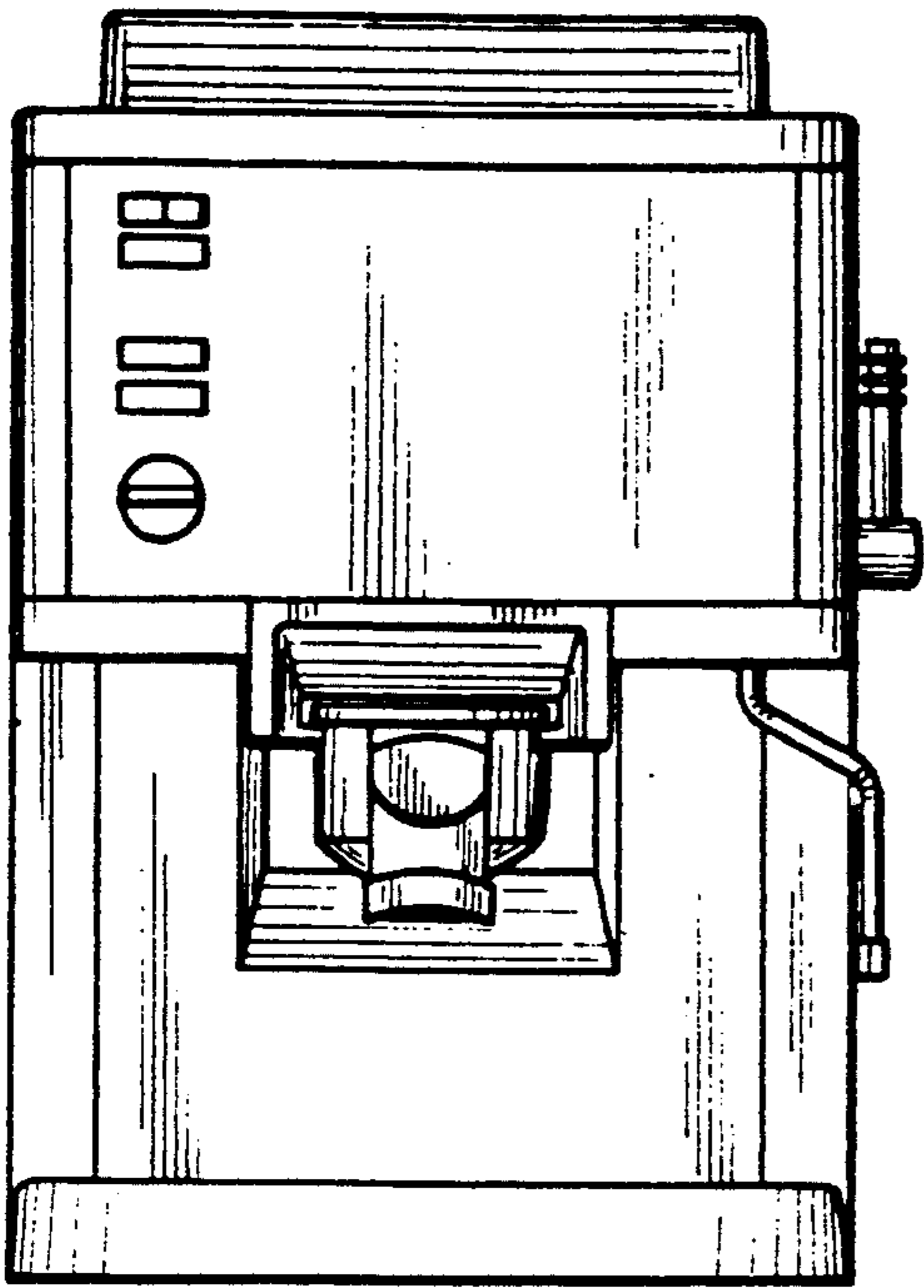


FIG. 1

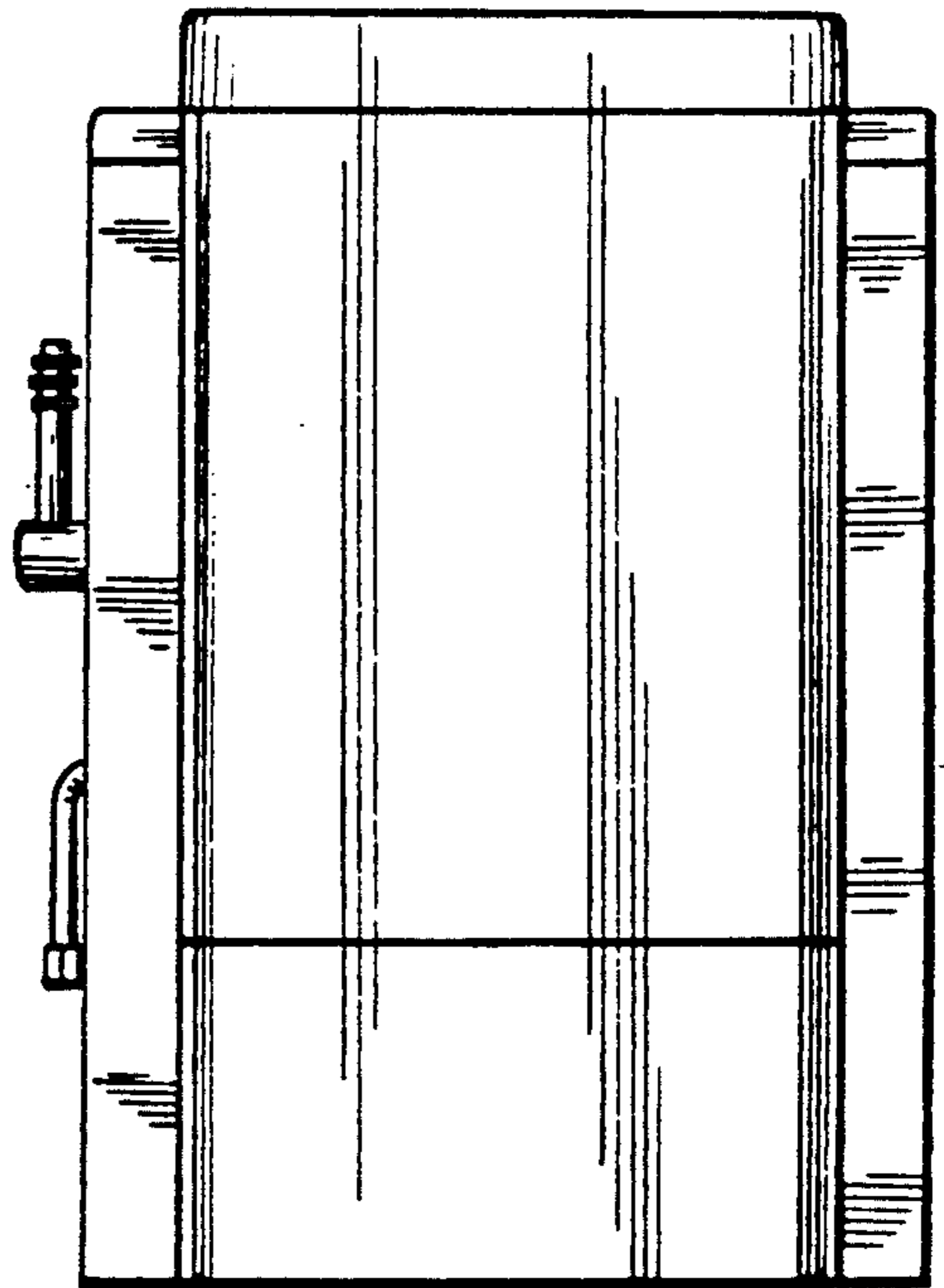


FIG. 2

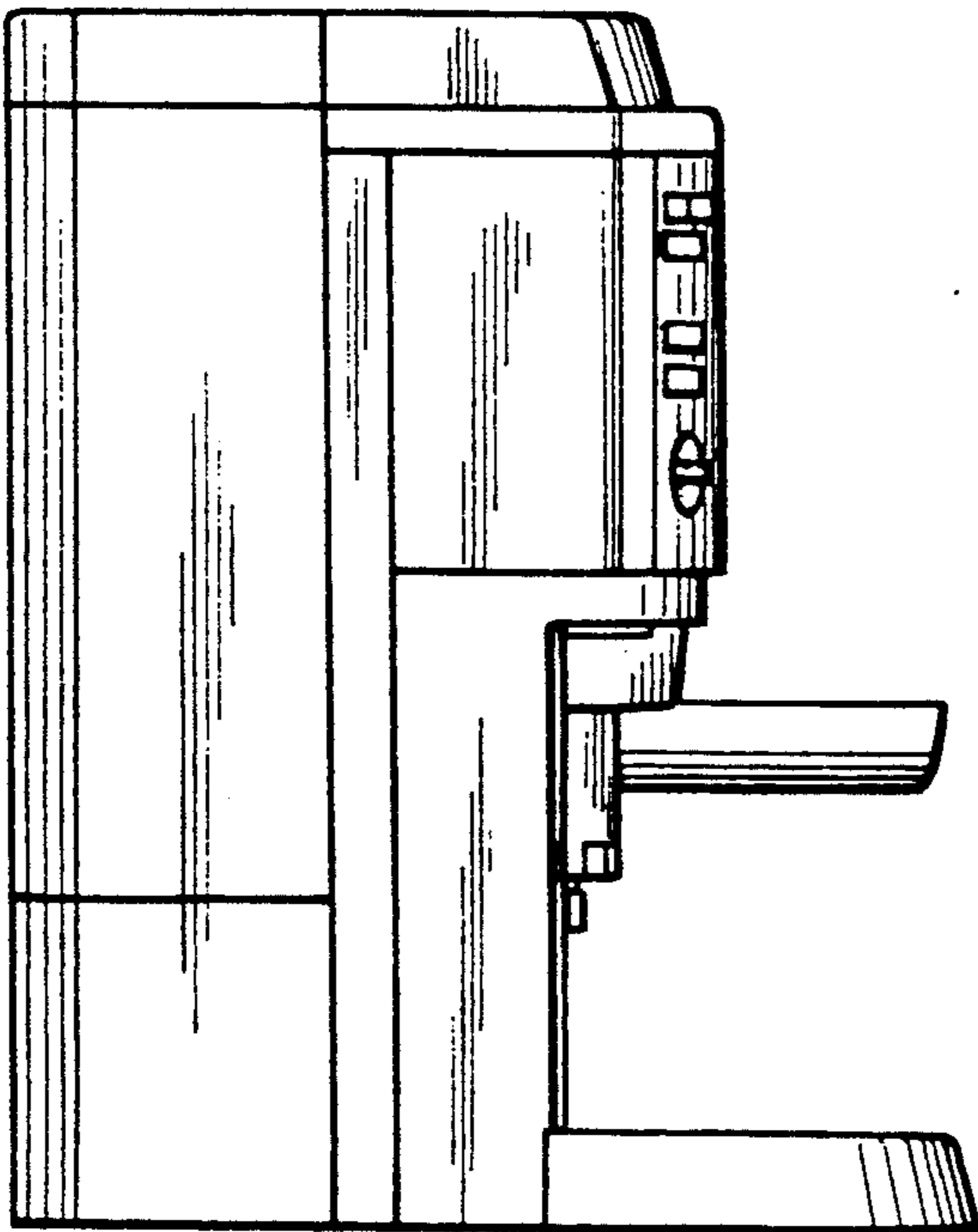


FIG. 3

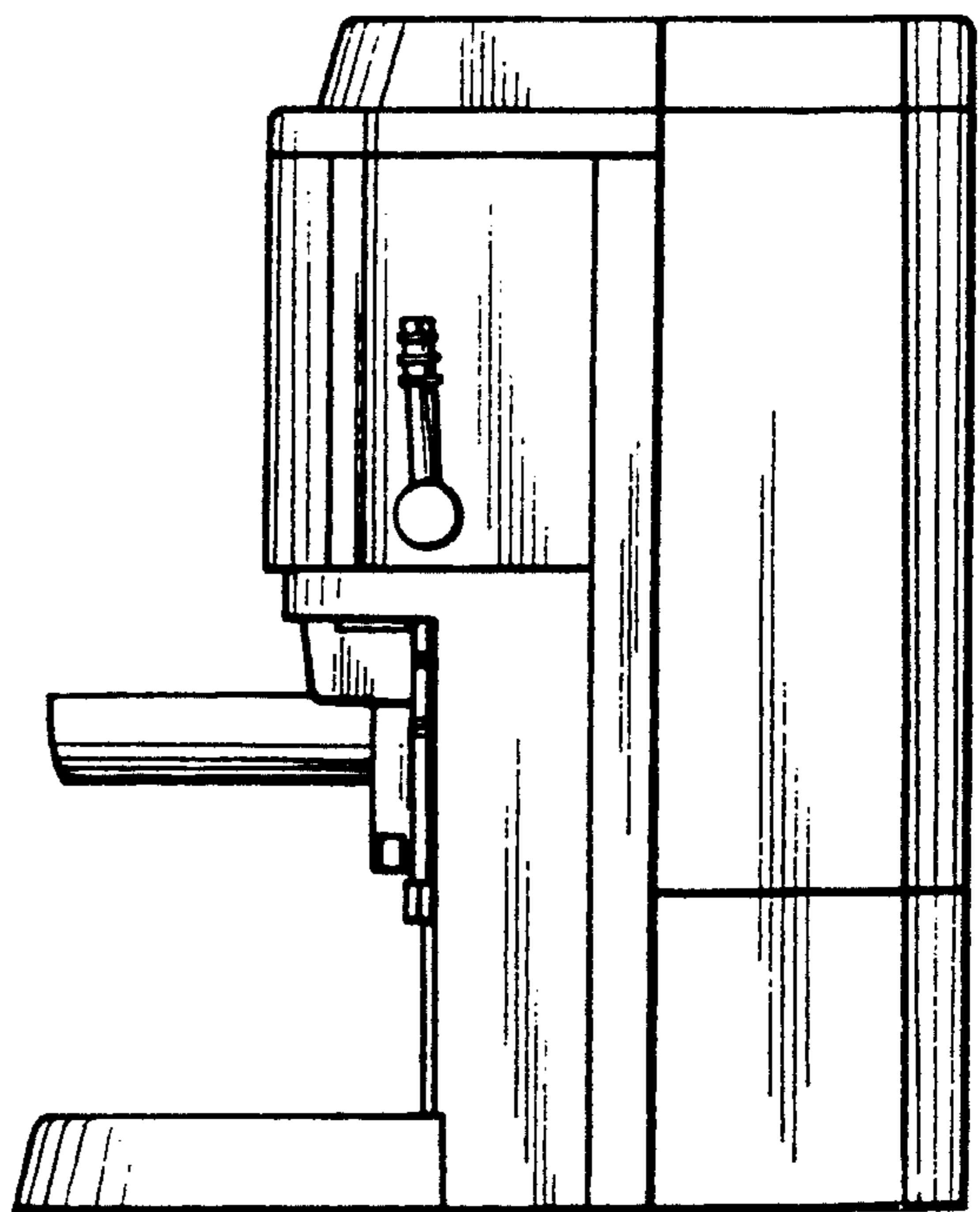


FIG. 4

FIG. 5

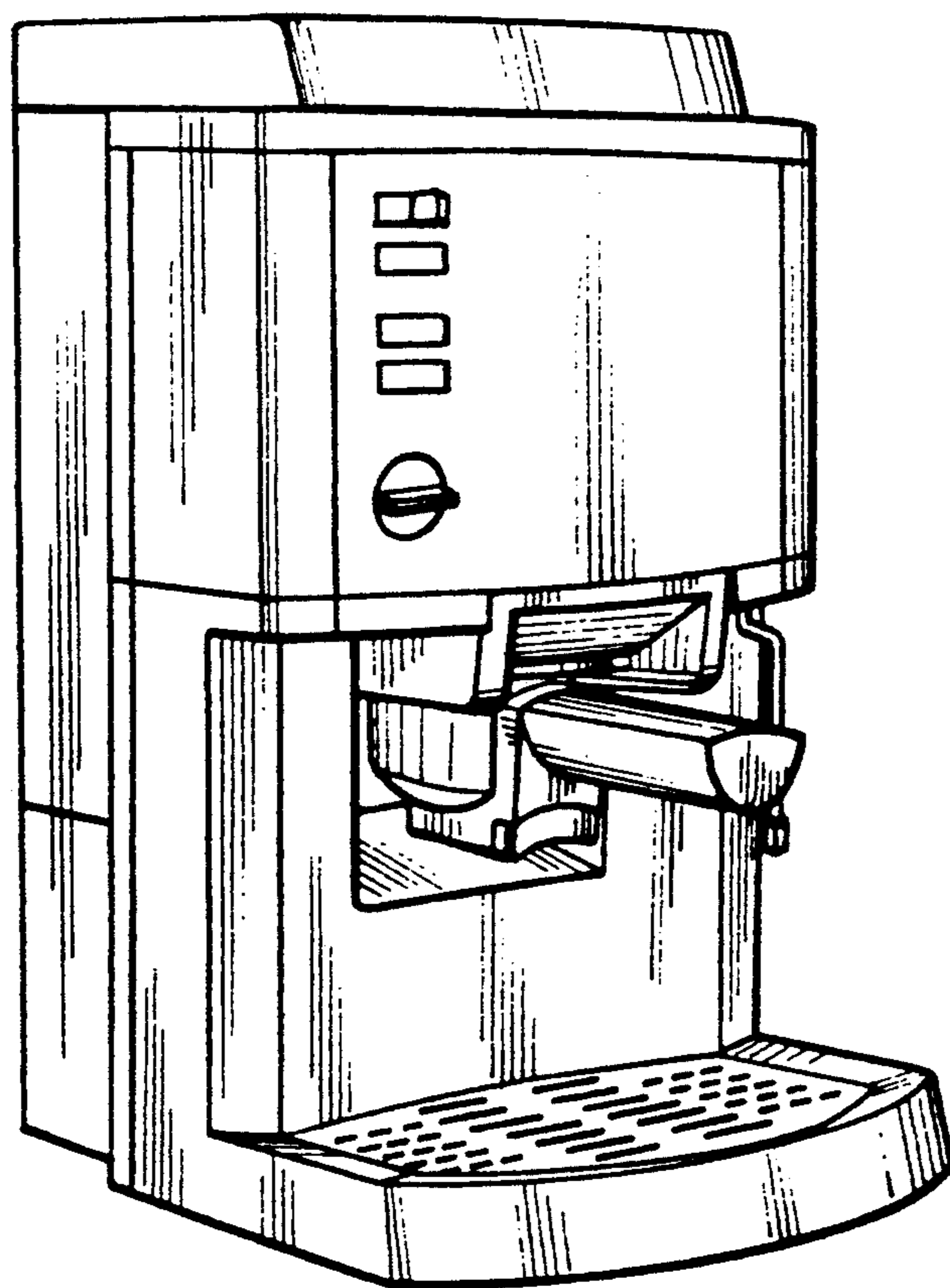
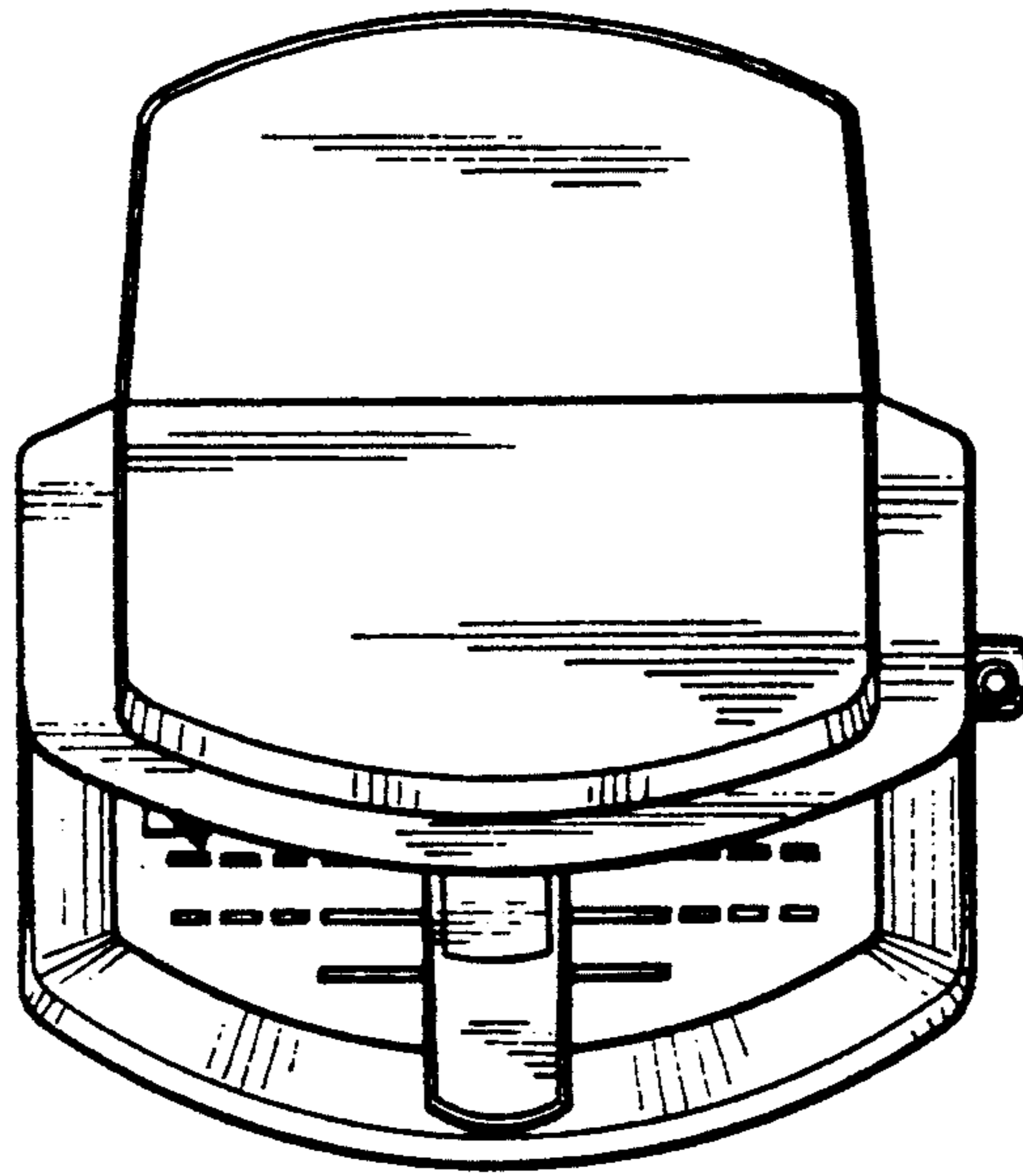


FIG. 6