



US00D340379S

# United States Patent [19]

[11] Patent Number: **Des. 340,379**

Cain

[45] Date of Patent: **\*\* Oct. 19, 1993**

## [54] VEHICLE SEAT CUSHION

[76] Inventor: **Richard E. Cain**, 605 York Ave., Statesville, N.C. 28677

[\*\*] Term: **14 Years**

[21] Appl. No.: **786,945**

[22] Filed: **Nov. 3, 1991**

[52] U.S. Cl. .... **D6/601; D6/596; D6/604**

[58] Field of Search ..... **D6/595, 596, 601, 604; 5/653, 654; 297/219, 231**

### [56] References Cited

#### U.S. PATENT DOCUMENTS

D. 277,158	1/1985	Baylor	.....	D6/596
D. 277,719	2/1985	Spaneas	.....	D6/596
1,802,853	4/1931	Weltner	.....	297/219
1,878,045	9/1932	Wedler	.....	297/231
2,838,099	6/1958	Warner	.....	297/231
2,900,012	8/1959	McGlone	.....	297/219
3,900,910	8/1975	Nakata	.....	5/490

## FOREIGN PATENT DOCUMENTS

84596 10/1935 Sweden ..... 297/231

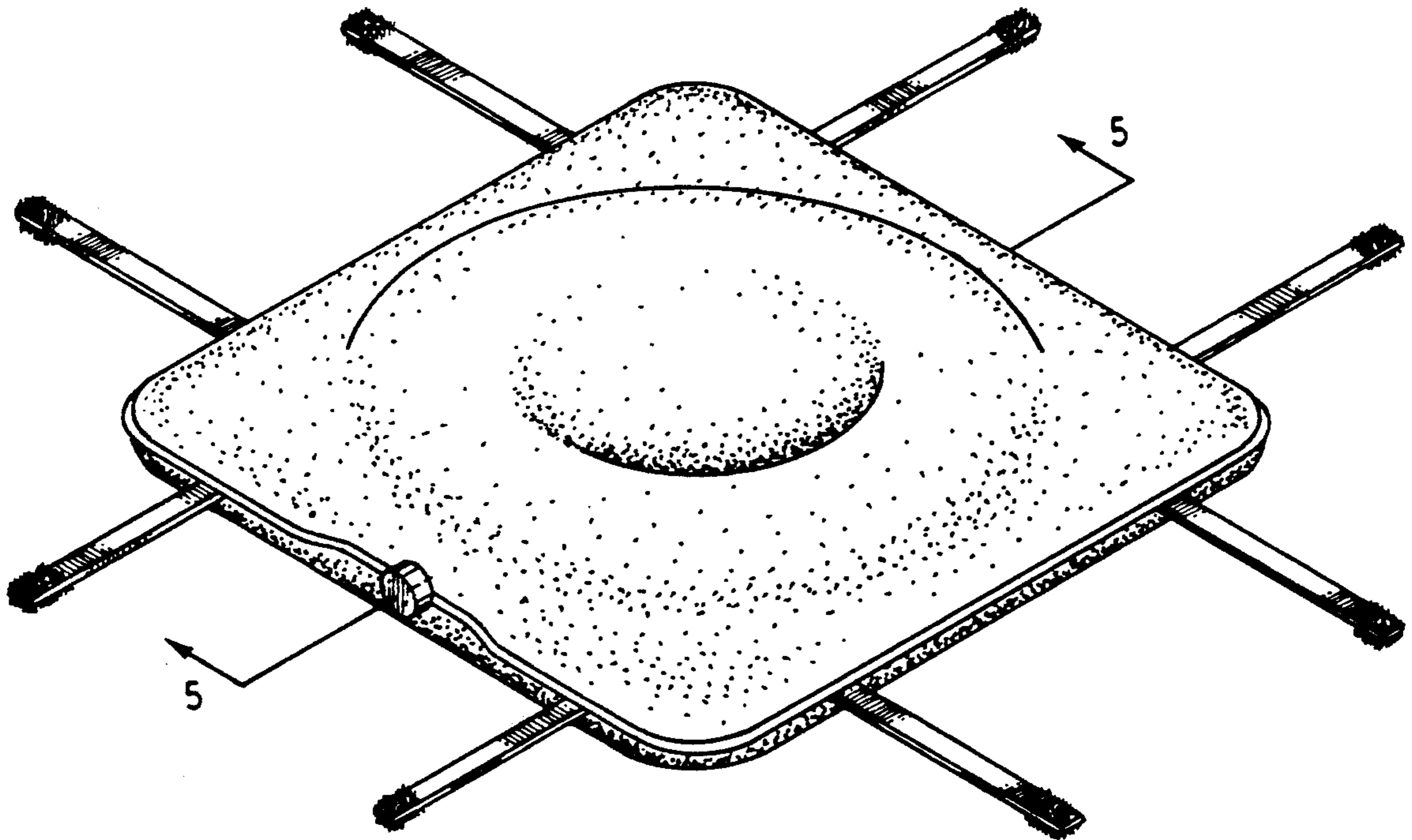
*Primary Examiner*—Wallace R. Burke  
*Assistant Examiner*—Lisa Lichtenstein  
*Attorney, Agent, or Firm*—Terry M. Gernstein

### [57] CLAIM

The ornamental design for a vehicle seat cushion, as shown and described.

### DESCRIPTION

FIG. 1 is a perspective view of a vehicle seat cushion showing my new design;  
FIG. 2 is a front elevational view thereof;  
FIG. 3 is a side elevational view thereof, the side opposite and the rear being identical to that shown;  
FIG. 4 is a top plan view thereof, the bottom plan view being a mirror image of the top view shown in FIG. 4; and,  
FIG. 5 is a cross-sectional view thereof taken along line 5—5 in FIG. 1.



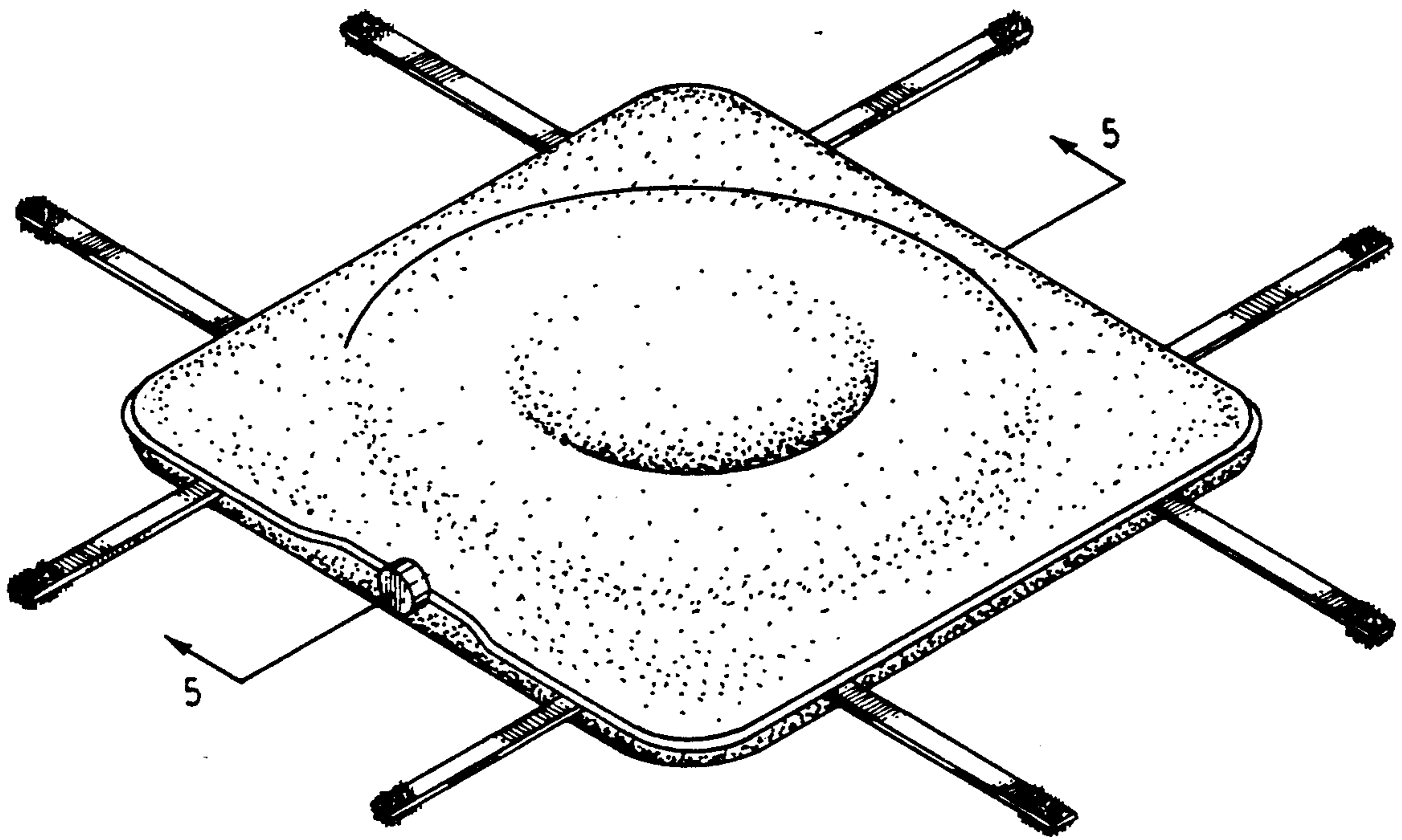


FIG. 1

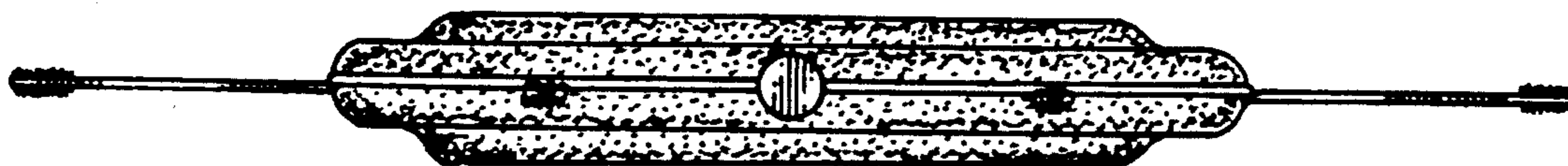


FIG. 2

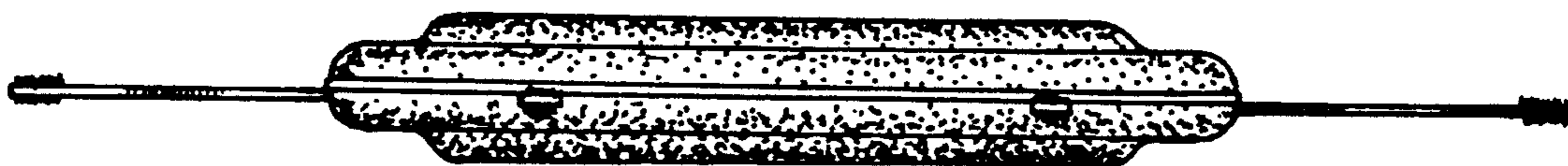


FIG. 3

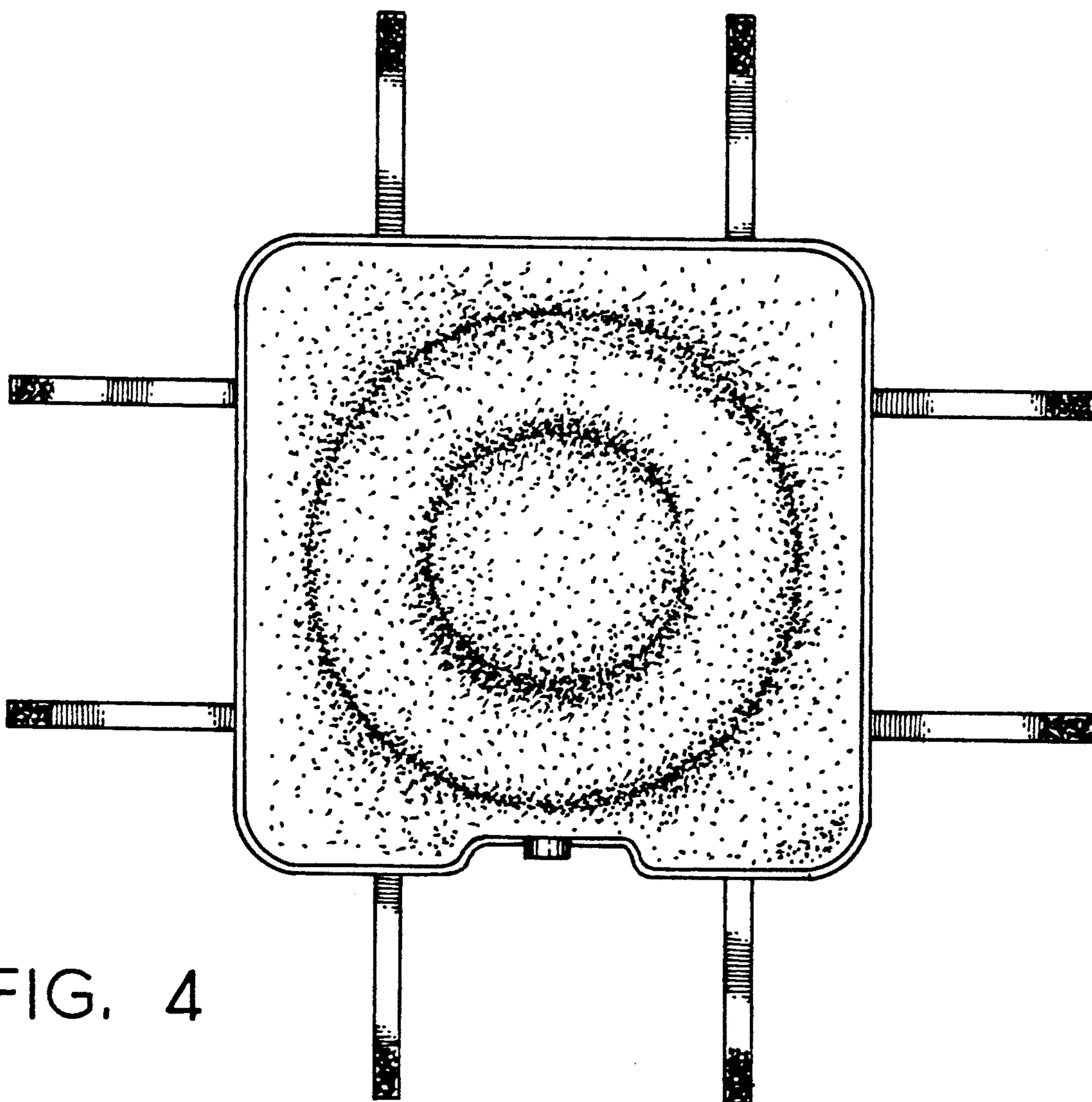


FIG. 4

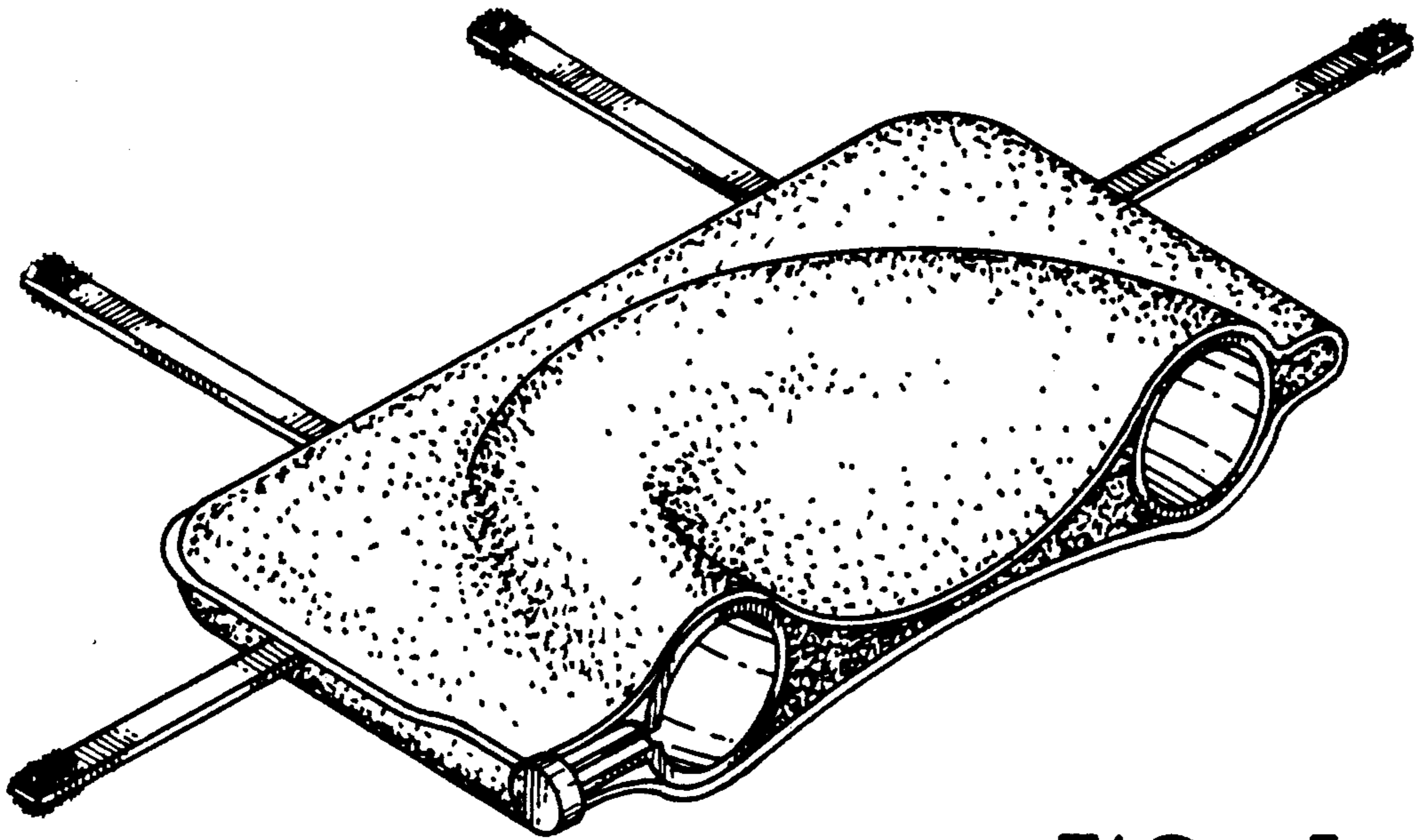


FIG. 5