



US00D340377S

United States Patent [19]

[11] Patent Number: **Des. 340,377**

Brazis

[45] Date of Patent: **** Oct. 19, 1993**

[54] TOWEL BAR

3,998,332 12/1976 Lambertsen 211/13
4,586,616 5/1986 Cooper et al. 211/DIG. 1

[75] Inventor: **William E. Brazis**, Medina, Ohio

[73] Assignee: **Rubbermaid Incorporated**, Wooster, Ohio

[**] Term: **14 Years**

[21] Appl. No.: **3,079**

[22] Filed: **Dec. 28, 1992**

[52] U.S. Cl. **D6/549**

[58] Field of Search **D6/546, 548-549, D6/552, 574; 211/13, 86-87, 123, DIG. 1; 248/201, 209.3, 206.5, 304, 309.1, 339-340; D7/637**

OTHER PUBLICATIONS

Catalog Page, Towel Bars; Grosfillex S. A., (1). P. 14, Towel Bar; Domus, Publication date May 1988. Sell Sheet, Towel Bar; Pacific American Manufacturing Inc., Publication date Aug. 1987. Sell Sheet, Towel Bar; Faries Manufacturing Company, Publication date Jul. 22, 1948.

Primary Examiner—Brian N. Vinson
Attorney, Agent, or Firm—Richard B. O'Planick; Lisa B. Riedesel

[57] CLAIM

The ornamental design for a towel bar, as shown and described.

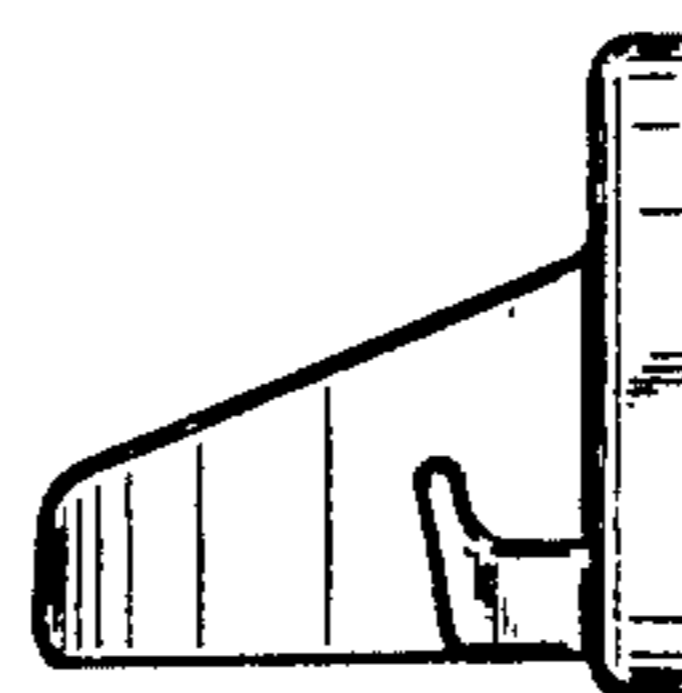
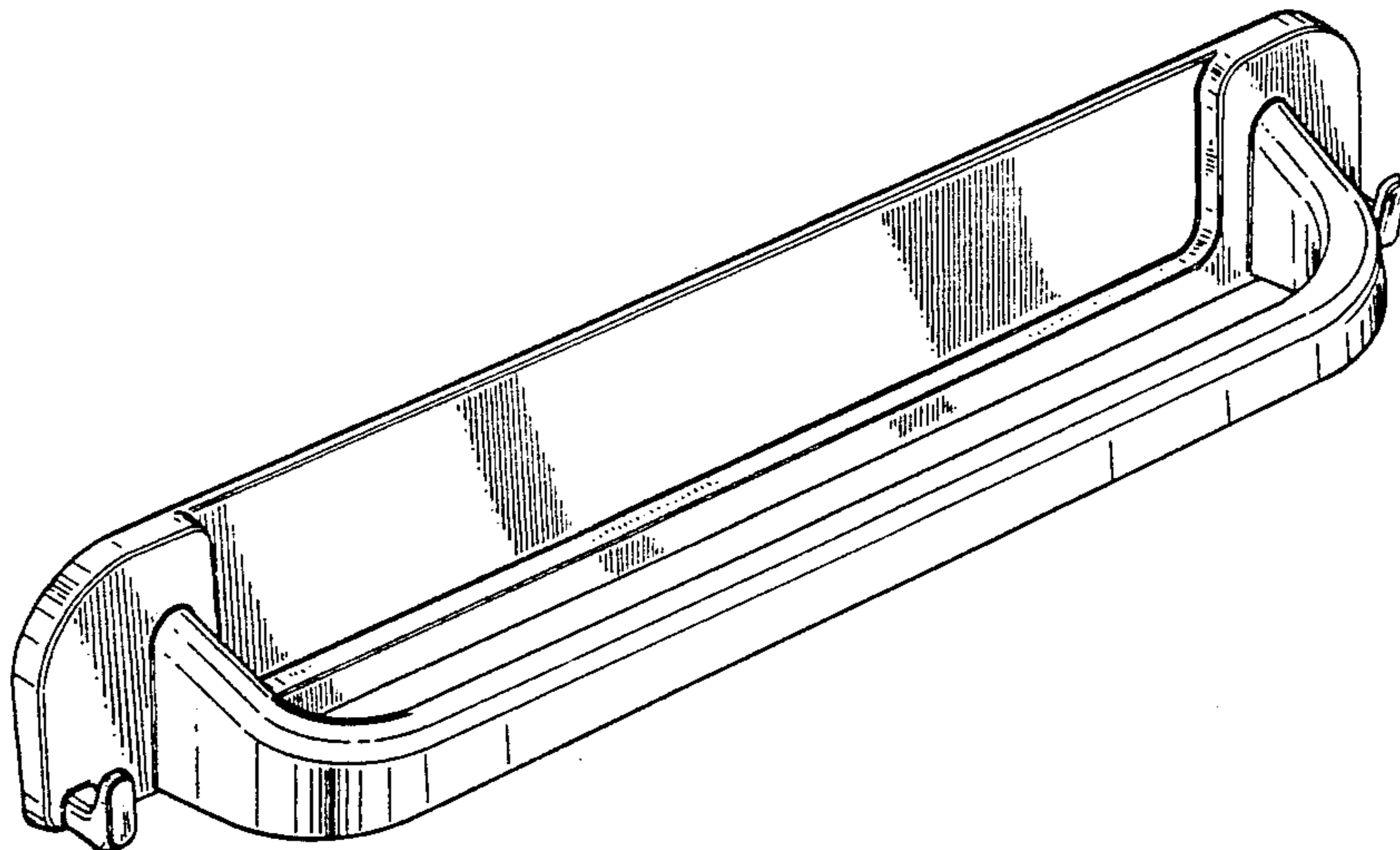
[56] References Cited

U.S. PATENT DOCUMENTS

D 173,824	1/1955	Toner	D6/548
D. 263,661	4/1982	Thompson	D6/99
D. 267,840	2/1983	Cohen	D6/99
D. 278,873	5/1985	Thomburgh et al.	D6/574 X
D. 286,964	12/1986	Gecchelin	D6/574 X
D. 312,935	12/1990	Chap et al.	D6/549
D. 314,115	1/1991	Murphy	D6/574
D. 320,720	10/1991	Goodman et al.	D6/546
D. 327,196	6/1992	Crook et al.	D6/549

DESCRIPTION

FIG. 1 is a top left front perspective view of a towel bar showing my new design; FIG. 2 is a top plan view thereof; FIG. 3 is a bottom plan view thereof; FIG. 4 is a front elevational view thereof; FIG. 5 is a rear elevational view thereof; and, FIG. 6 is a right side elevational view thereof; the left side elevational view being a mirror image.



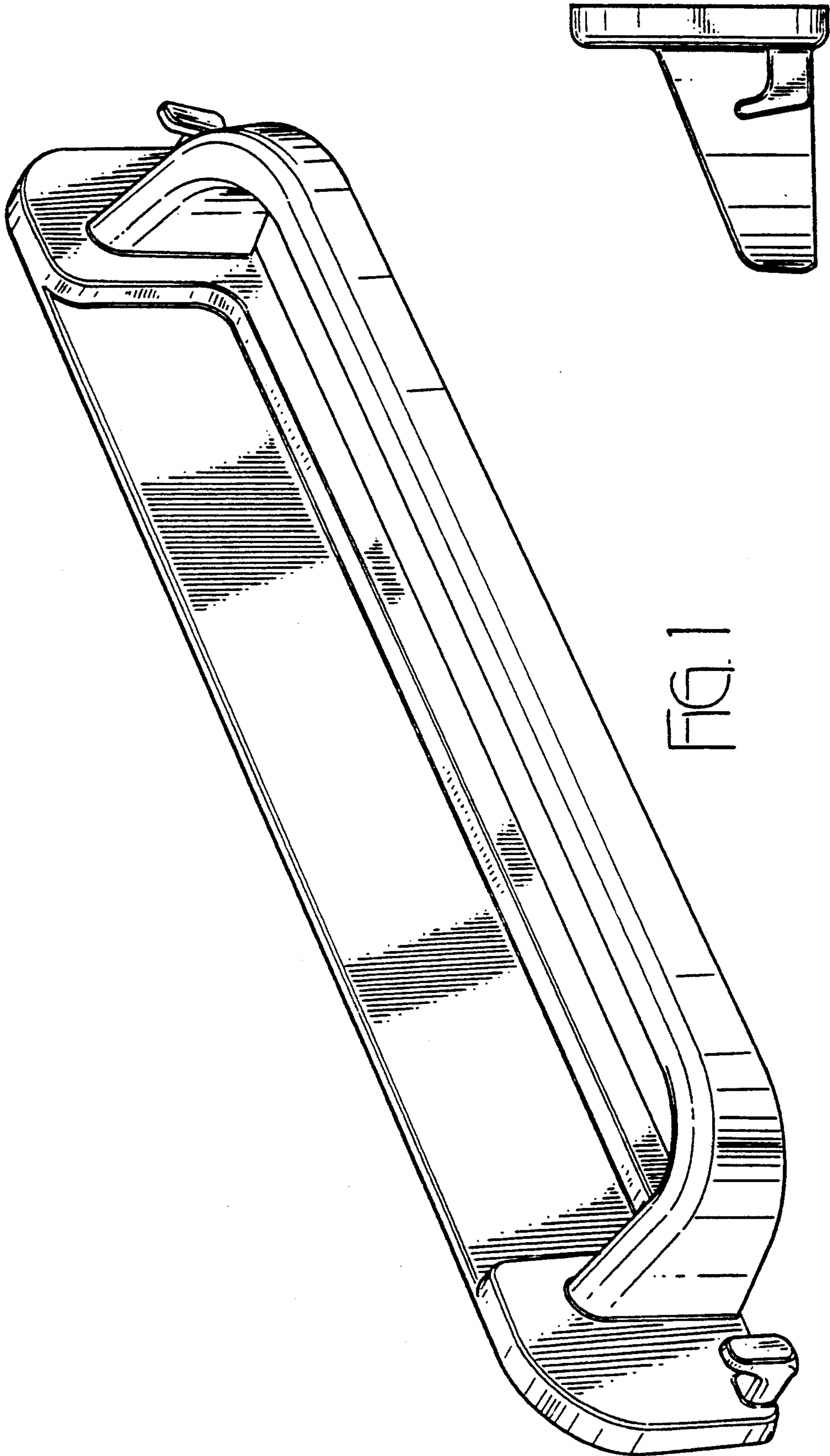


FIG. 1

FIG. 6

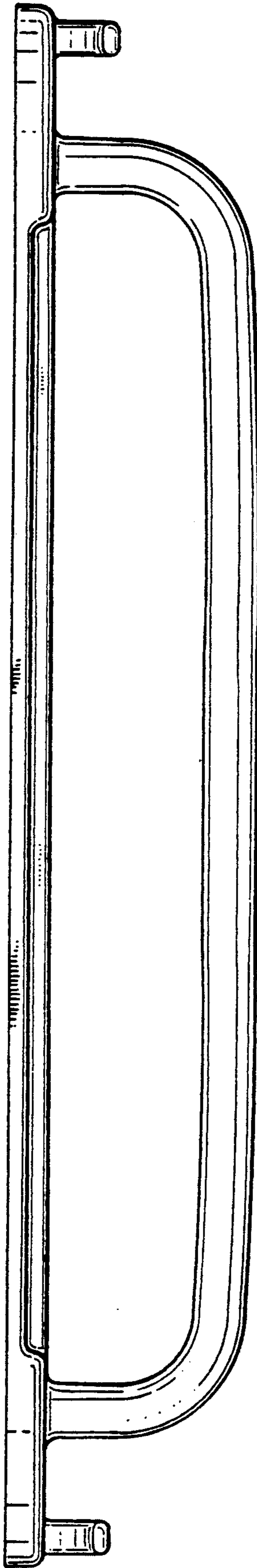


FIG. 2

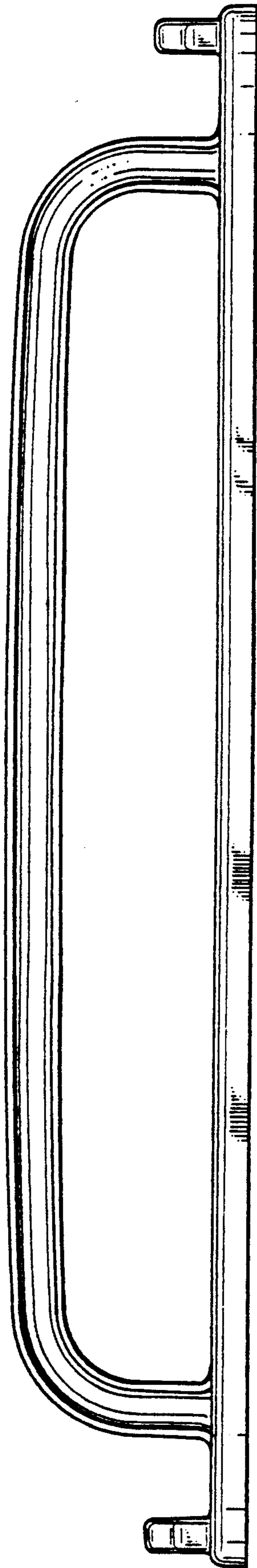


FIG. 3

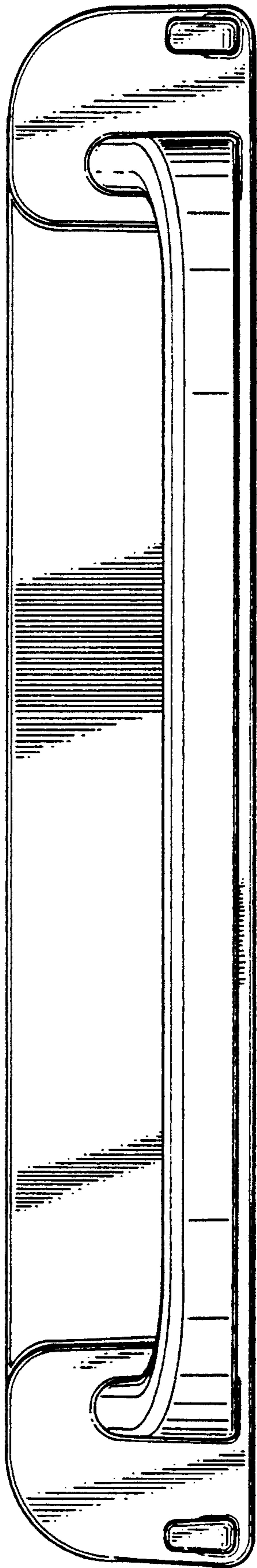


FIG. 4

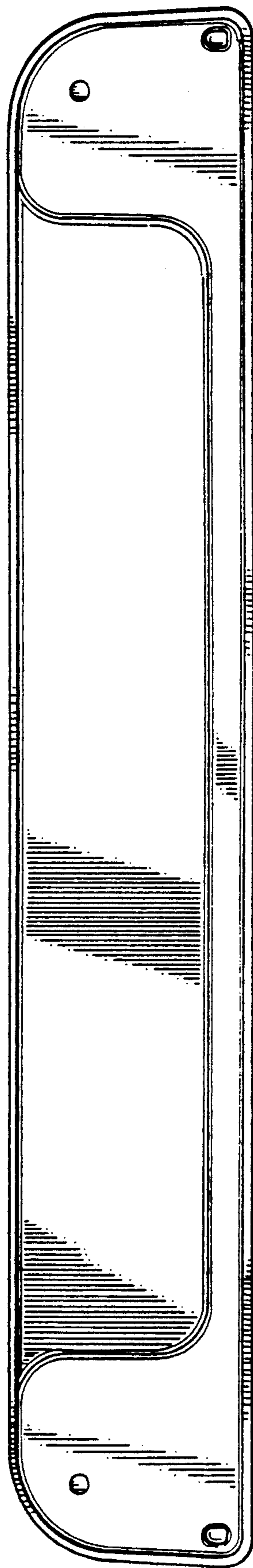


FIG. 5