



US00D340376S

United States Patent [19]

[11] Patent Number: Des. 340,376

Klose

[45] Date of Patent: ** Oct. 19, 1993

[54] **HAND SHOWER HOLDER**

[75] Inventor: **Odo Klose**, Wuppertal, Fed. Rep. of Germany

[73] Assignee: **Friedrich Grohe Aktiengesellschaft**, Hemer, Fed. Rep. of Germany

[**] Term: **14 Years**

[21] Appl. No.: **751,221**

[22] Filed: **Aug. 26, 1991**

[30] **Foreign Application Priority Data**

Feb. 25, 1991 [DE] Fed. Rep. of Germany 91013178

[52] U.S. Cl. **D6/524; D8/373; D23/223**

[58] Field of Search D23/223, 263; D6/524, D6/554; D8/363, 373, 395; 4/596-615, 675, 678, 695; 211/111; 248/75; 239/282, 283, 428.5, 525, 530, 588

[56] **References Cited**

U.S. PATENT DOCUMENTS

- D. 228,622 10/1973 Juhlin D8/373
- D. 240,178 6/1976 Johansen D6/524
- D. 251,045 2/1979 Grube D8/373 X
- D. 255,626 7/1980 Grube D23/223
- D. 265,874 8/1982 Klose D6/524
- D. 266,212 9/1982 Haug D6/524 X

- D. 267,582 1/1983 MacKay et al. D23/223
- D. 296,582 7/1988 Haug D23/304
- D. 333,339 2/1993 Klose D23/223
- 3,499,626 3/1970 Barker 248/75 X
- 3,637,143 1/1972 Shames 239/283
- 3,826,454 7/1974 Zieger 248/75
- 3,837,013 9/1974 Davis et al. 4/605
- 3,865,310 2/1975 Elkins et al. 239/283
- 3,979,096 9/1976 Zieger 248/75
- 4,091,998 5/1978 Peterson 239/283
- 4,174,822 11/1979 Larsson 248/75
- 4,580,751 4/1986 Panzer D23/223 X
- 4,719,654 1/1988 Blessing 4/597
- 4,964,573 10/1990 Lipski 239/283

Primary Examiner—James R. Largen
Attorney, Agent, or Firm—Herbert Dubno

[57] **CLAIM**

The ornamental design for a hand shower holder, as shown.

DESCRIPTION

FIG. 1 is a perspective view showing the front, left side, and top of the hand shower holder embodying my new design;

FIG. 2 is a front elevational view thereof;

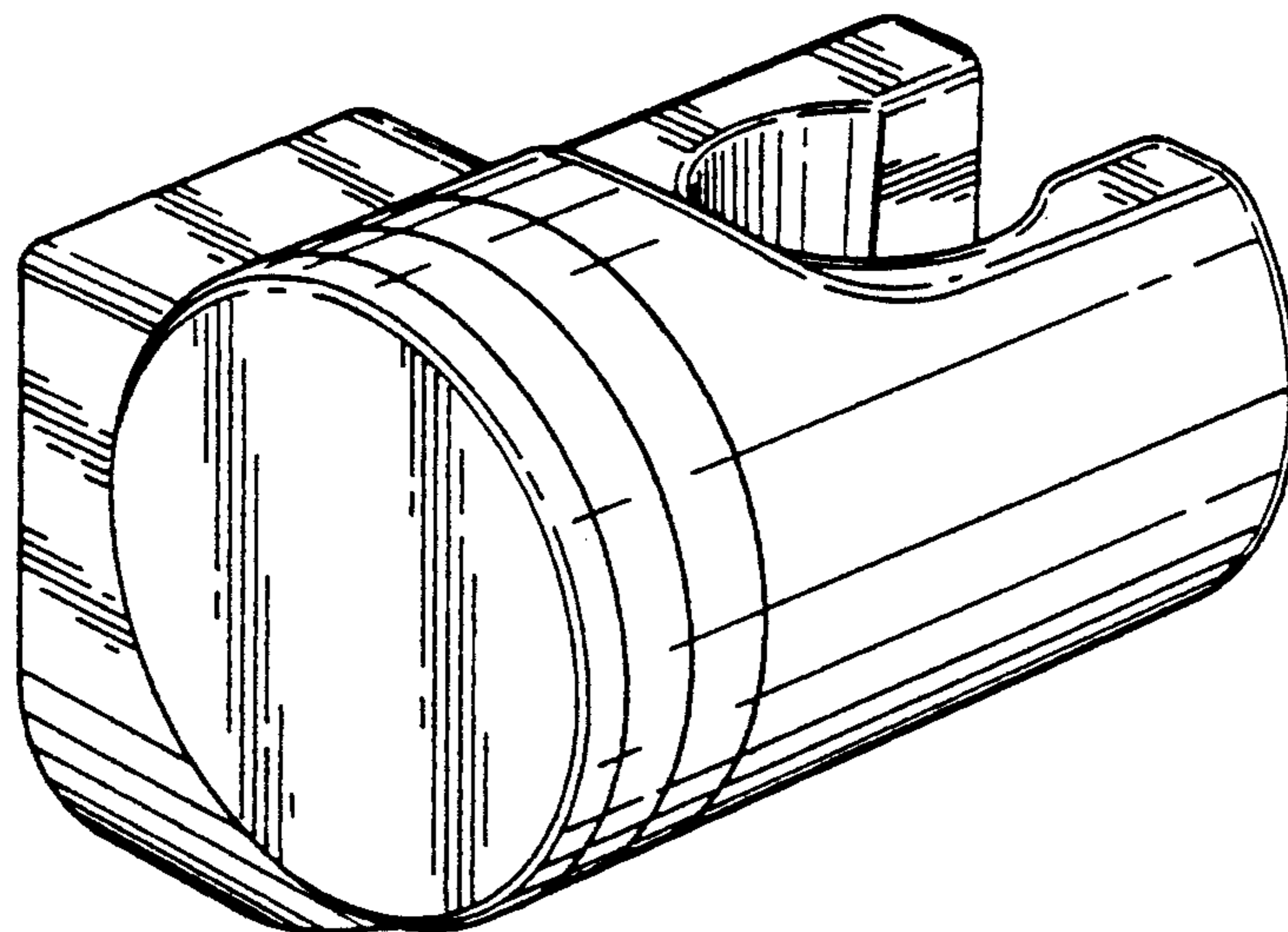
FIG. 3 is a left side elevational view thereof;

FIG. 4 is a bottom view thereof;

FIG. 5 is a rear view thereof;

FIG. 6 is a left side elevational view thereof; and,

FIG. 7 is a top view thereof.



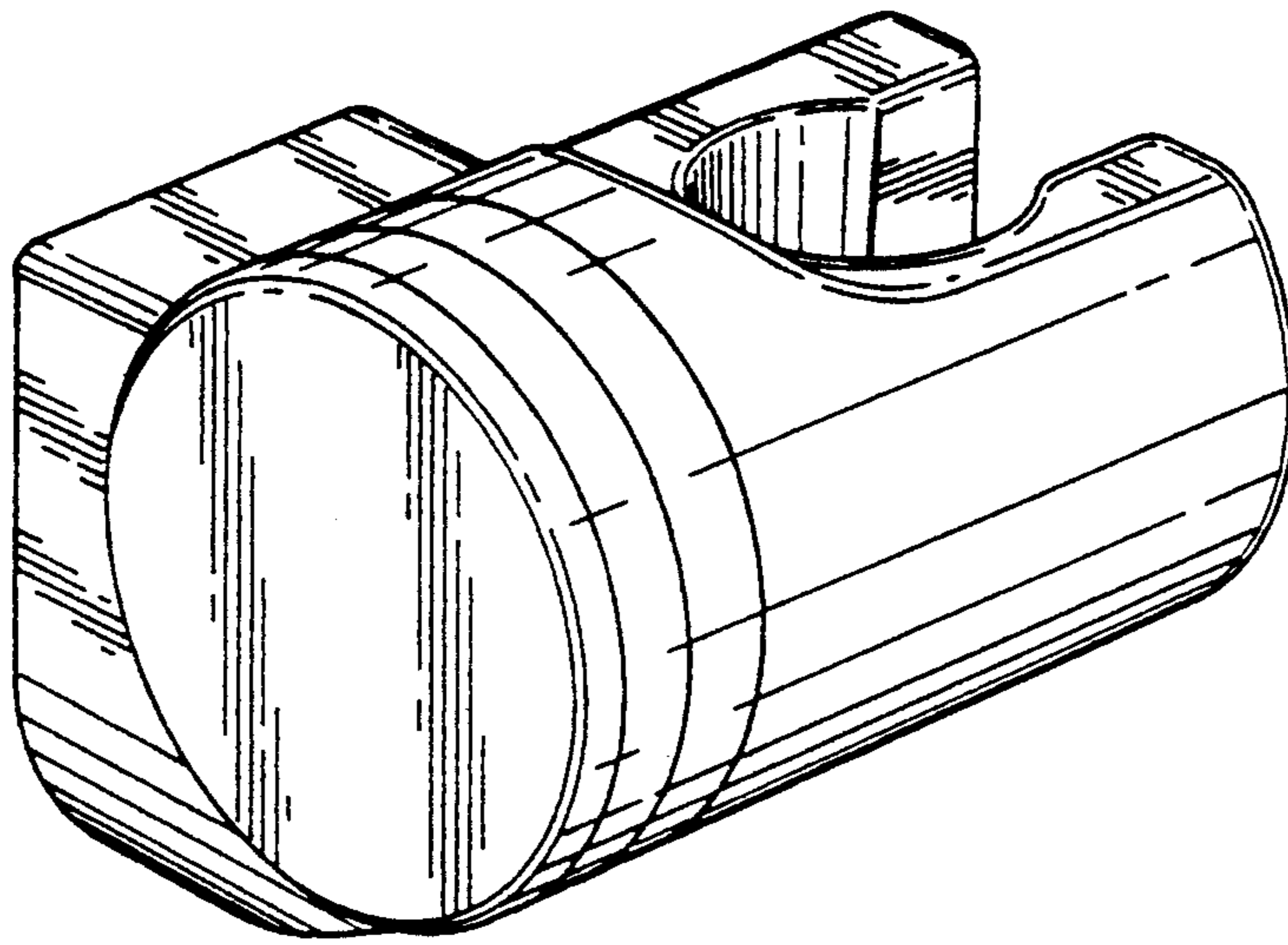


FIG. 1

FIG. 2

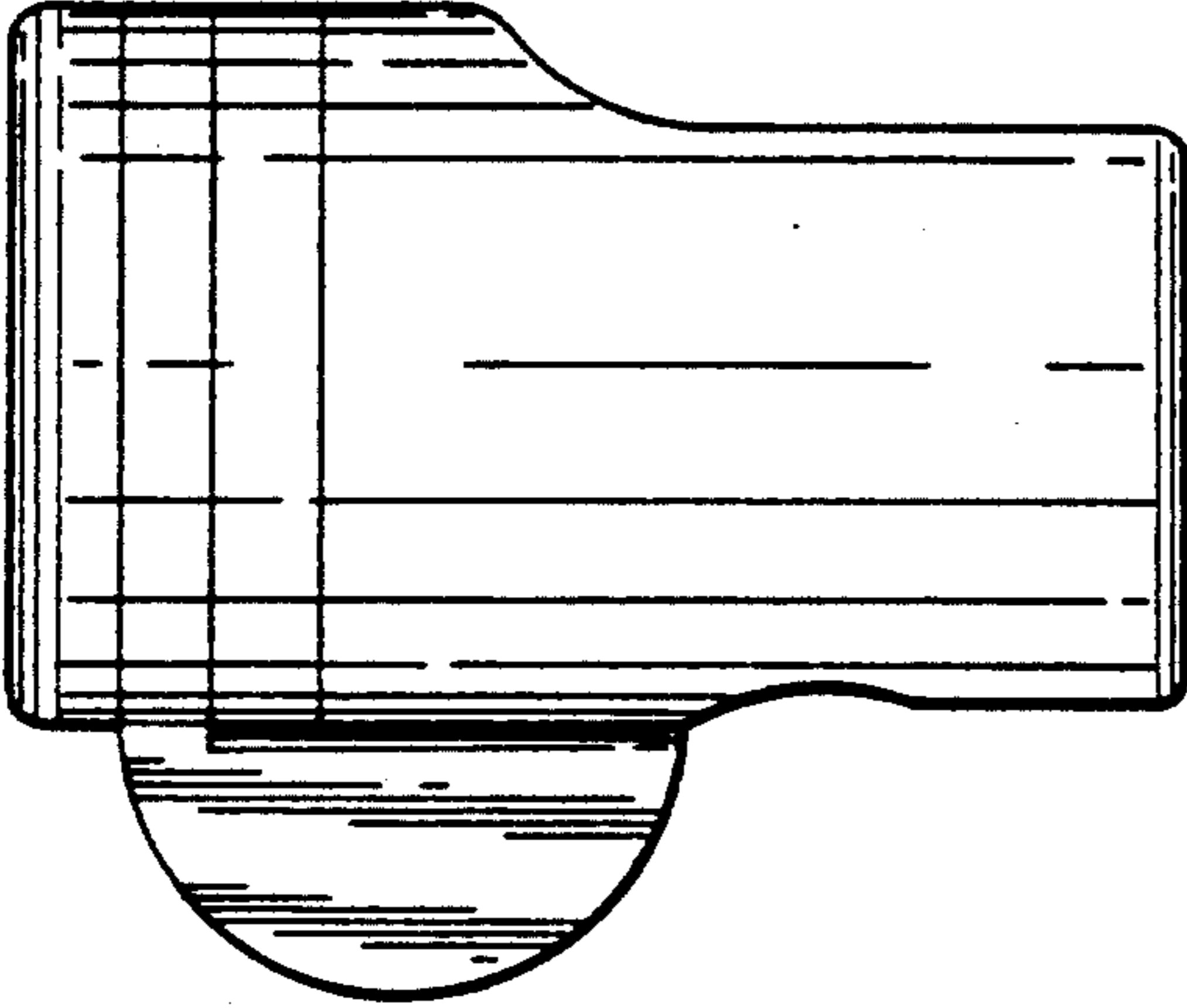


FIG. 3

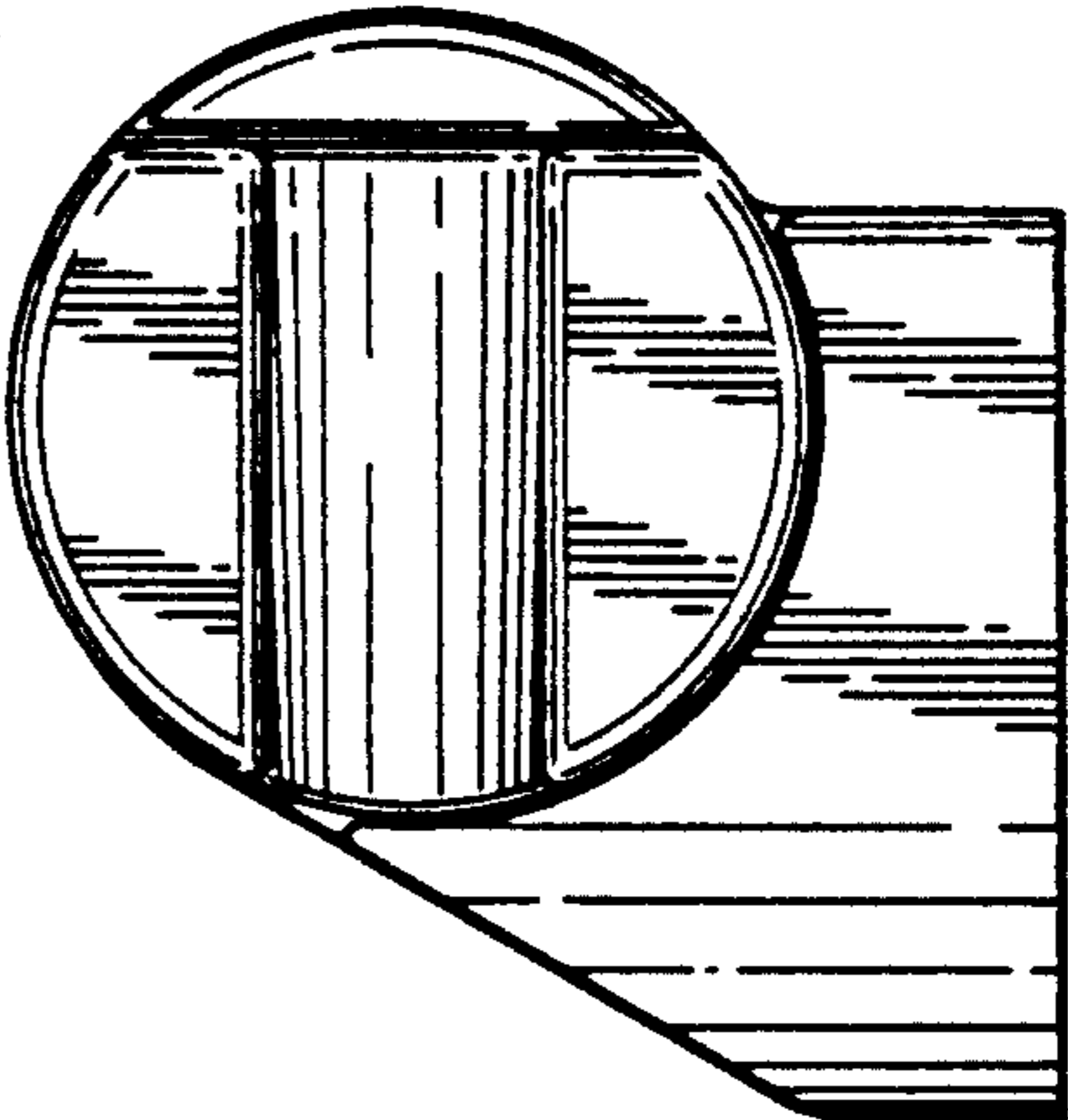
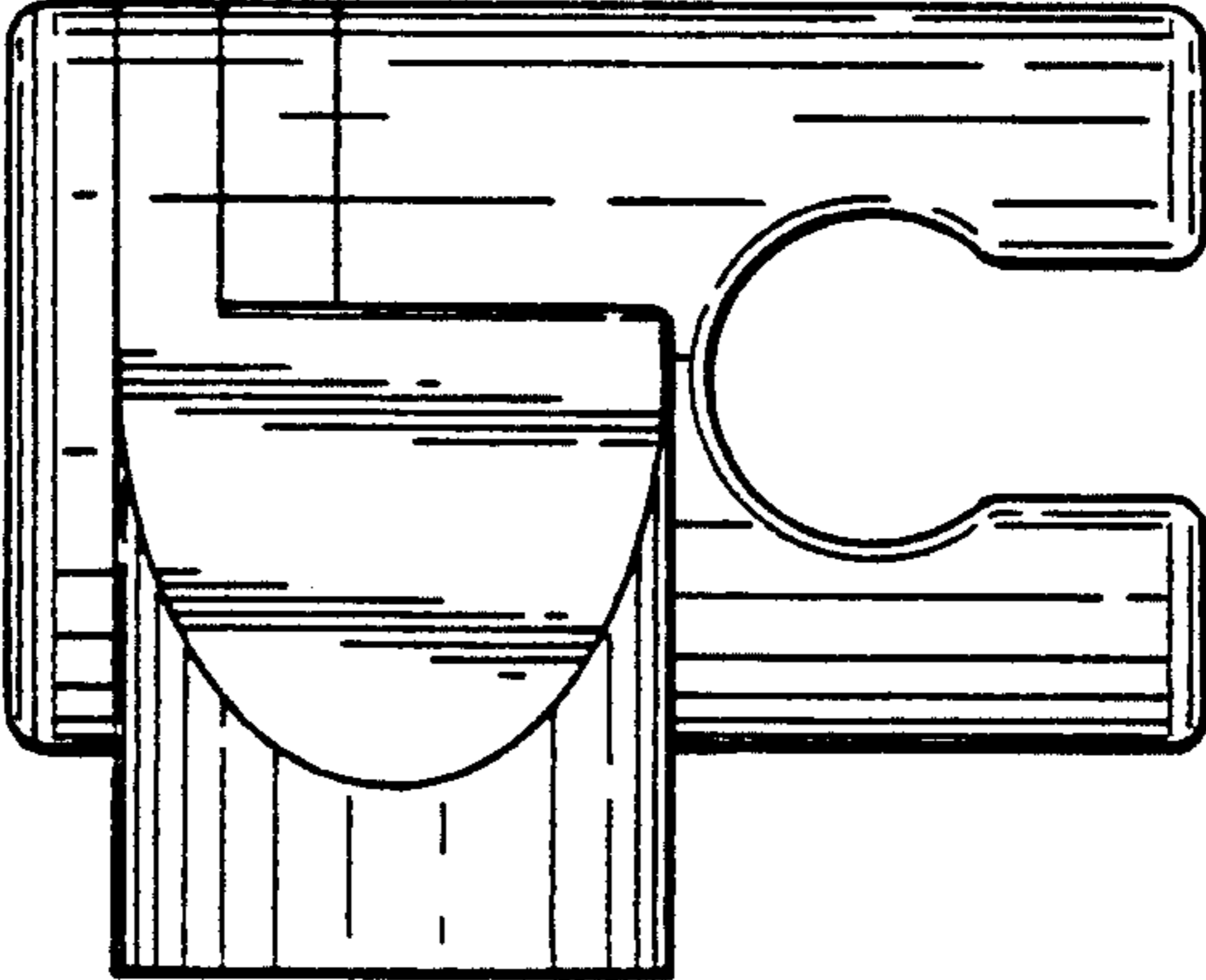


FIG. 4



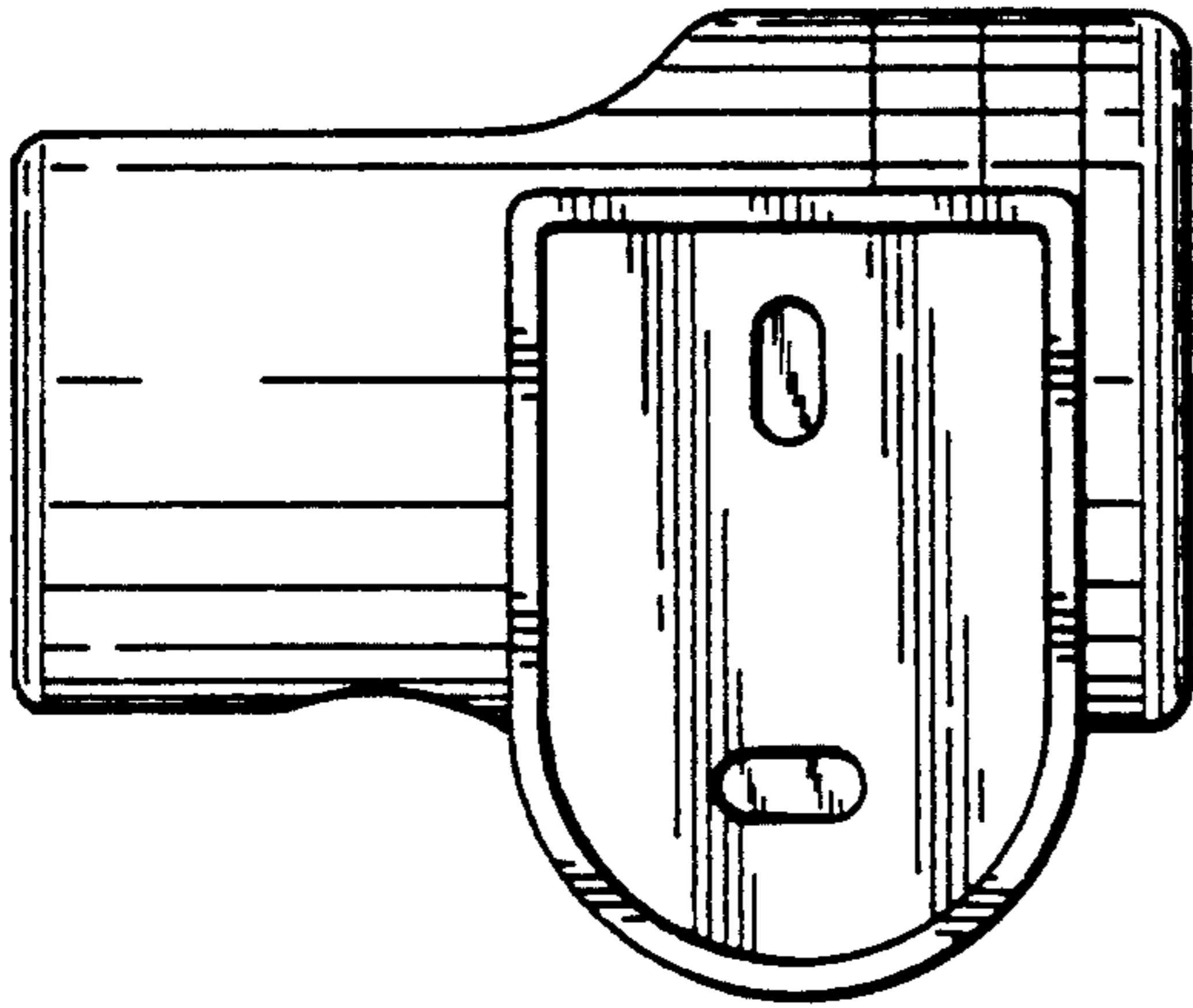


FIG. 5

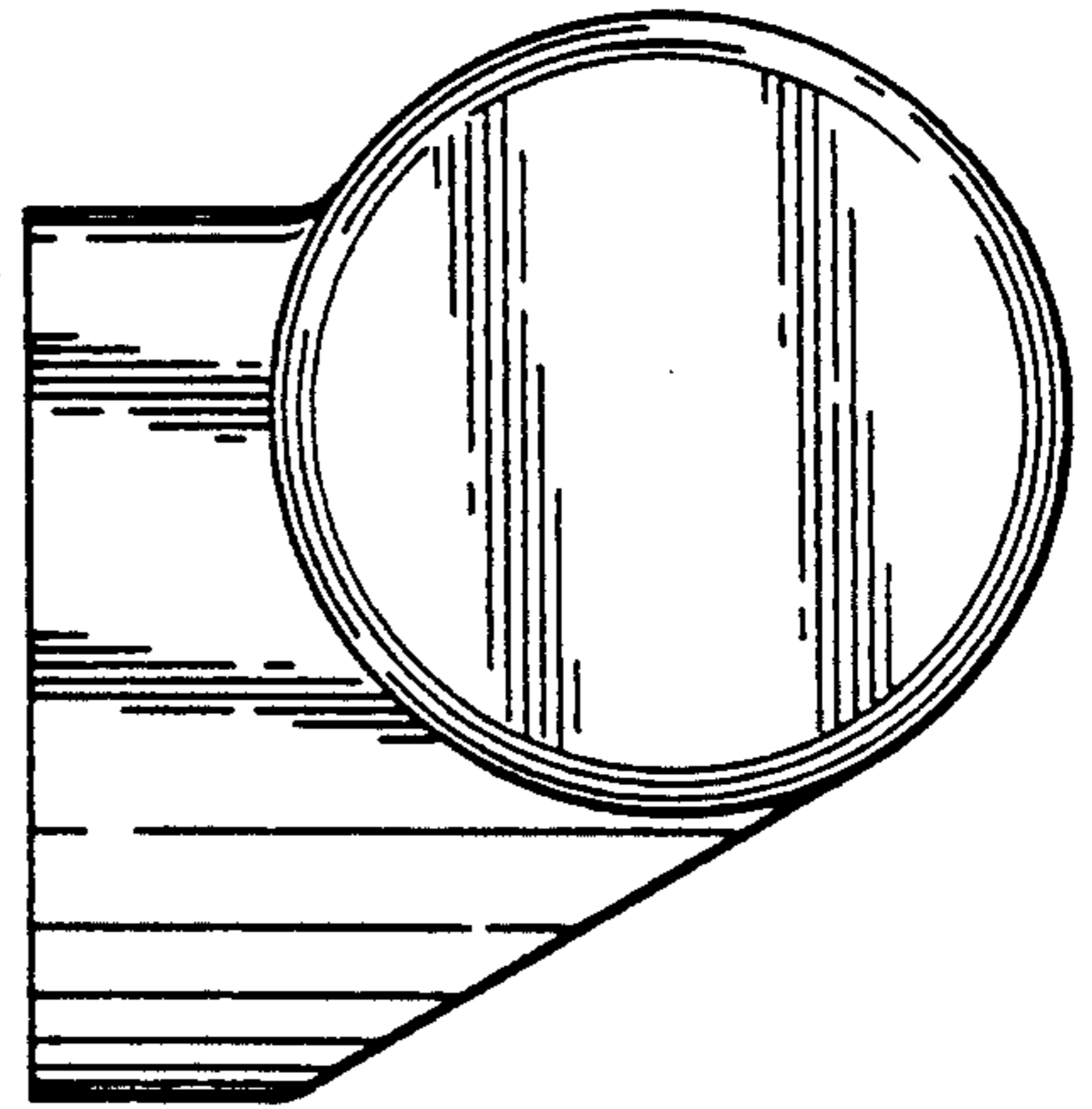


FIG. 6

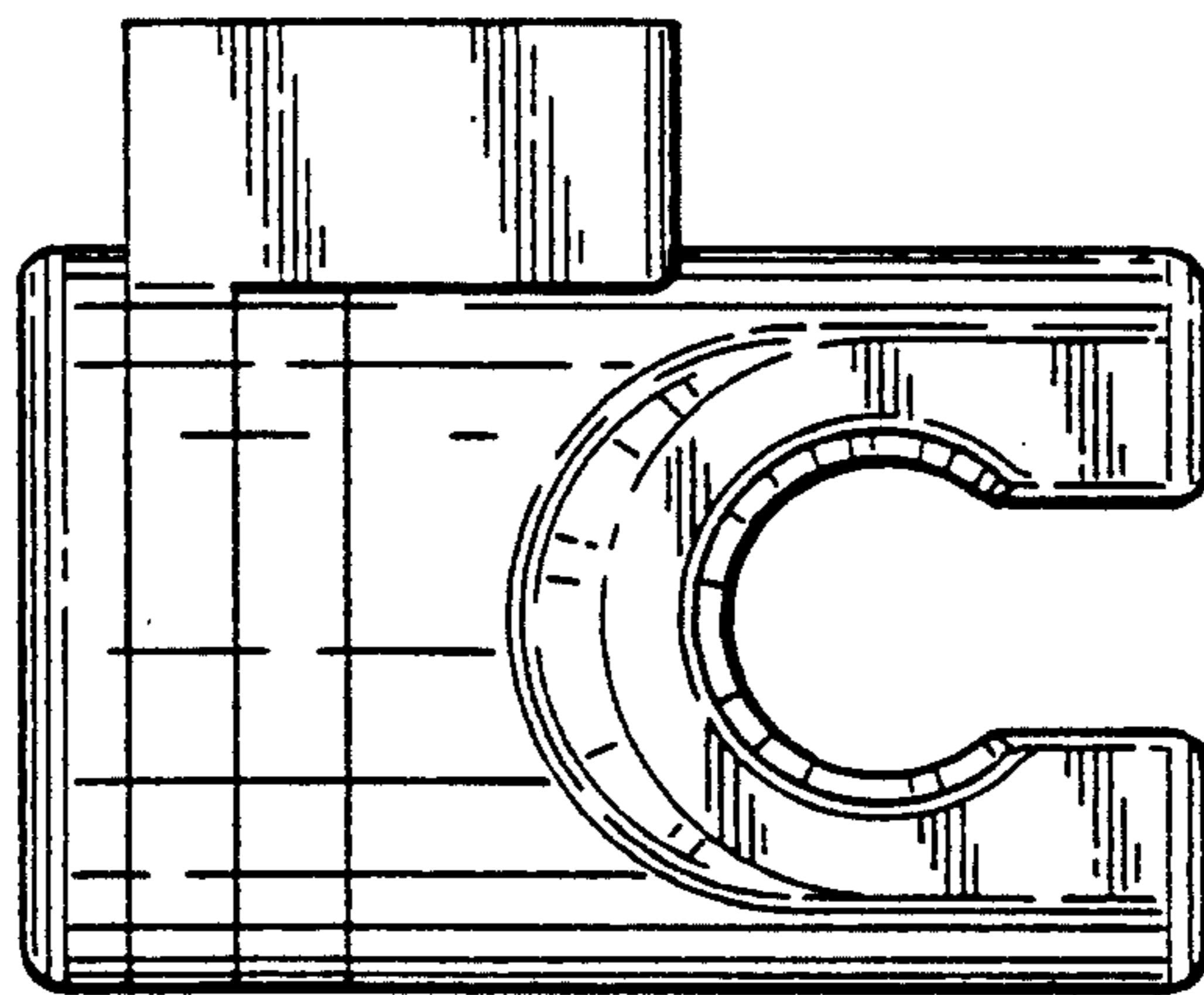


FIG. 7