



US00D340373S

# United States Patent [19]

[11] Patent Number: **Des. 340,373**

**Konkin**

[45] Date of Patent: **\*\* Oct. 19, 1993**

[54] **TISSUE DISPENSER**

*Primary Examiner*—Brian N. Vinson  
*Attorney, Agent, or Firm*—Seed and Berry

[76] Inventor: **Jeff E. P. Konkin**, 961 A Peterson Road, Campbell River, B.C. V9W 3H8, Canada

[57] **CLAIM**

The ornamental design for a tissue dispenser, as shown and described.

[\*\*] Term: **14 Years**

### DESCRIPTION

[21] Appl. No.: **493,867**

FIG. 1 is a top, front and left side perspective view of a tissue dispenser showing my new design;

[22] Filed: **Mar. 15, 1990**

FIG. 2 is a top plan view of the one embodiment;

[52] U.S. Cl. .... **D6/518**

FIG. 3 is a bottom plan view thereof;

[58] Field of Search ..... **D6/515, 517-518, D6/522, 536, 540; 211/49.1, 50; 221/22, 33, 45, 282, 284**

FIG. 4 is a side view thereof;

FIG. 5 is an end view thereof;

### [56] **References Cited**

FIG. 6 is a top, front and right side perspective view of a second embodiment thereof, the rear and left side being identical in appearance to the front and right side respectively and the bottom being identical to that shown in FIG. 3;

#### U.S. PATENT DOCUMENTS

- D. 188,481 8/1960 Hvale et al. .... D6/536
- D. 247,837 5/1978 Spigelman ..... D6/536
- D. 273,051 3/1984 Runyon ..... D6/536 X
- D. 312,178 11/1990 Fautley ..... D6/515
- 271,177 1/1883 White ..... D6/518 X
- 4,934,640 6/1990 Bichon ..... D6/540 X
- 4,997,105 3/1991 Fischer ..... 221/45

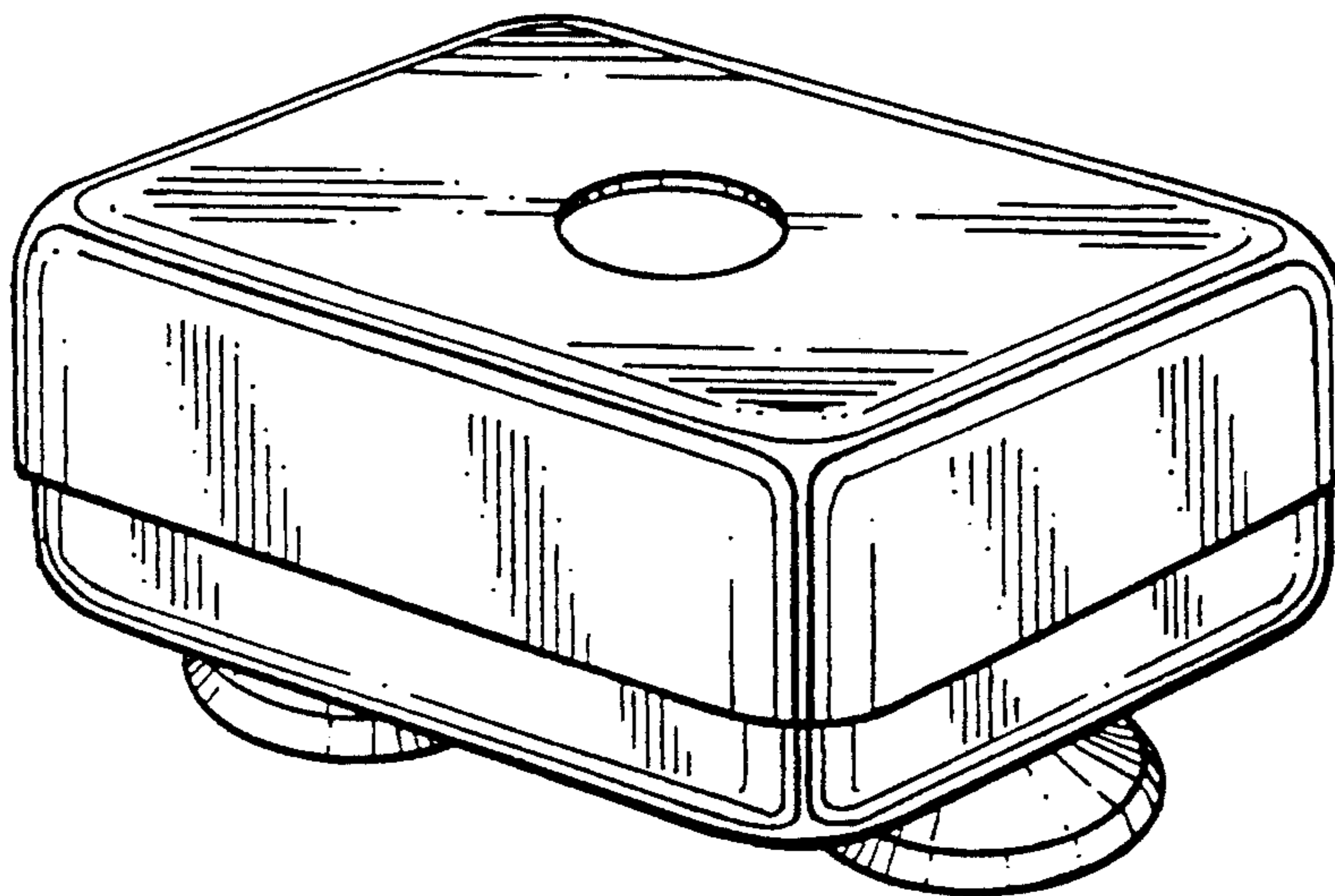
FIG. 7 is a top plan view of a third embodiment thereof, the only difference from the second embodiment being the addition of the ornament around the aperture;

#### FOREIGN PATENT DOCUMENTS

- 5695 of 1904 United Kingdom ..... D6/536 X

FIG. 8 is a bottom plan view of a fourth embodiment thereof, the only difference from that of the first embodiment being in the configuration of the bottom shown; and,

FIG. 9 is a side elevation view of the fourth embodiment illustrated in FIG. 8.



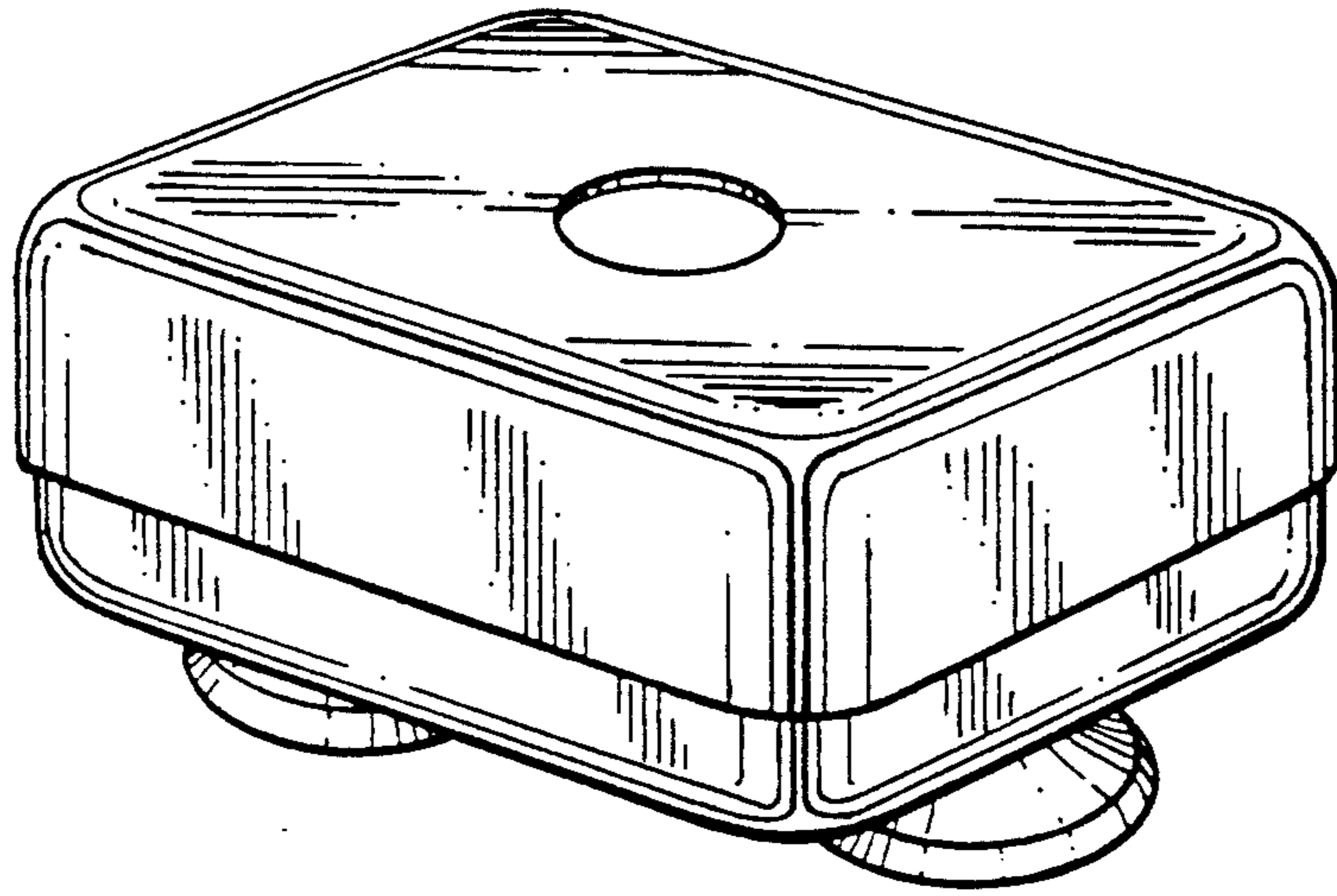


FIG. 1

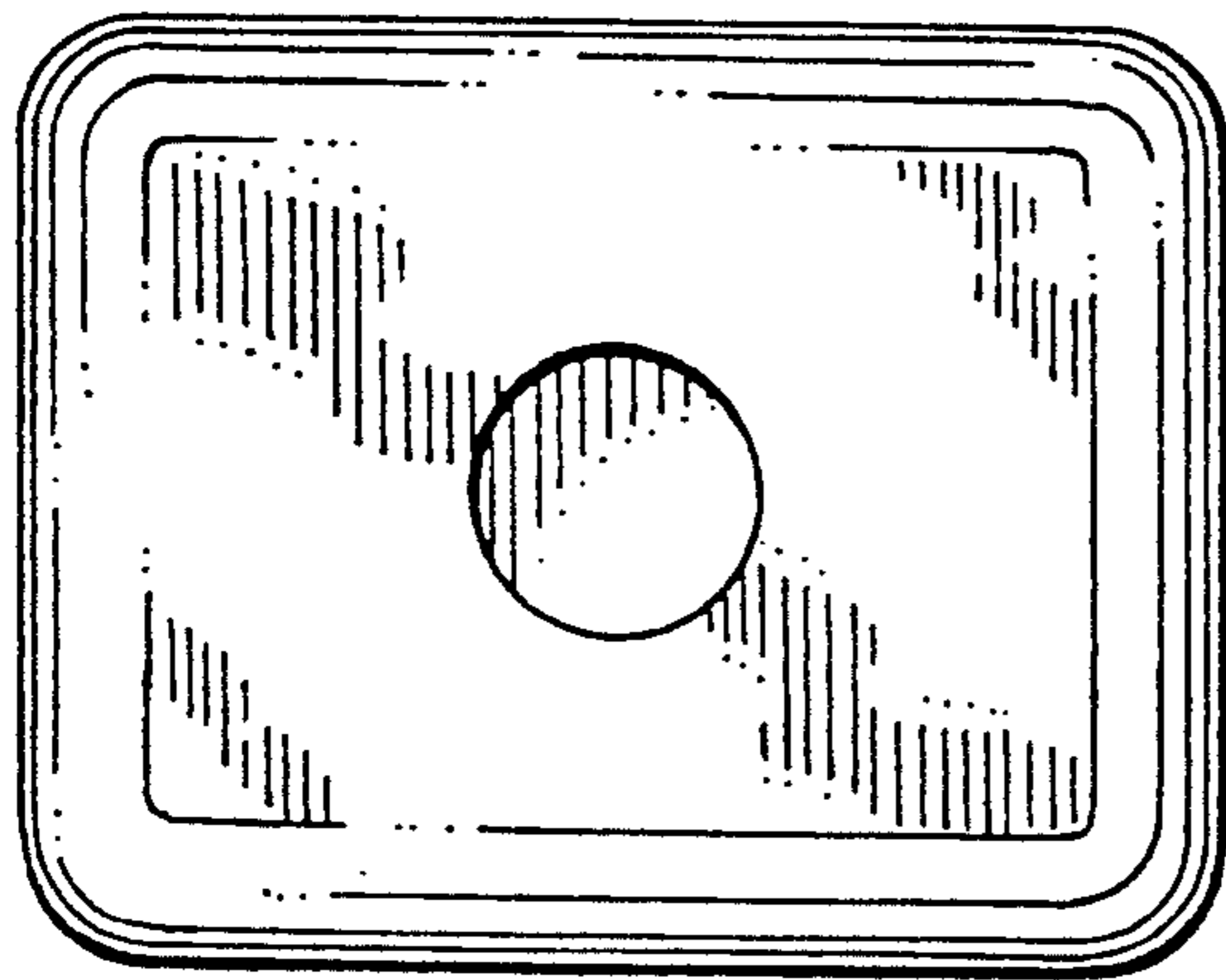


FIG. 2

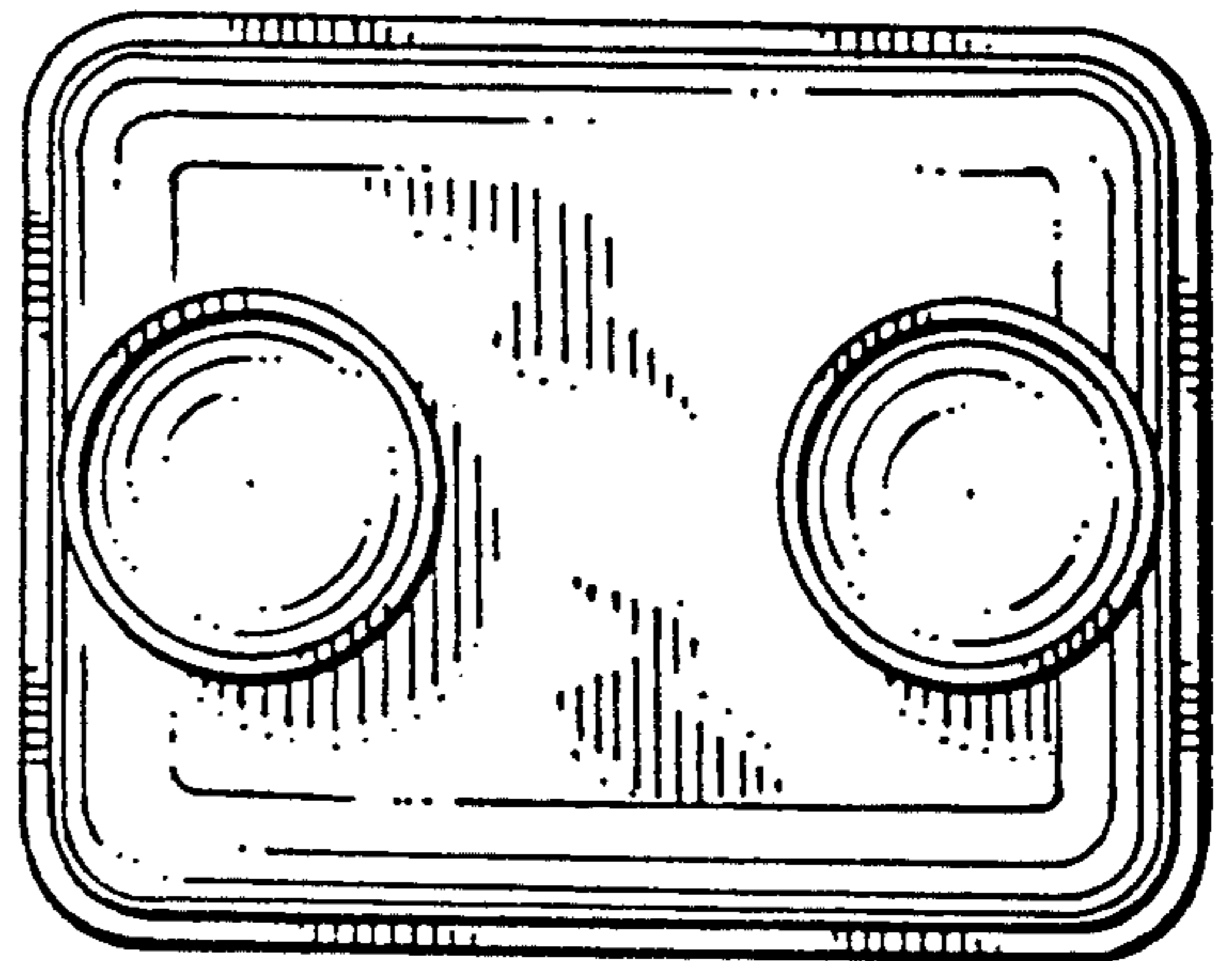


FIG. 3

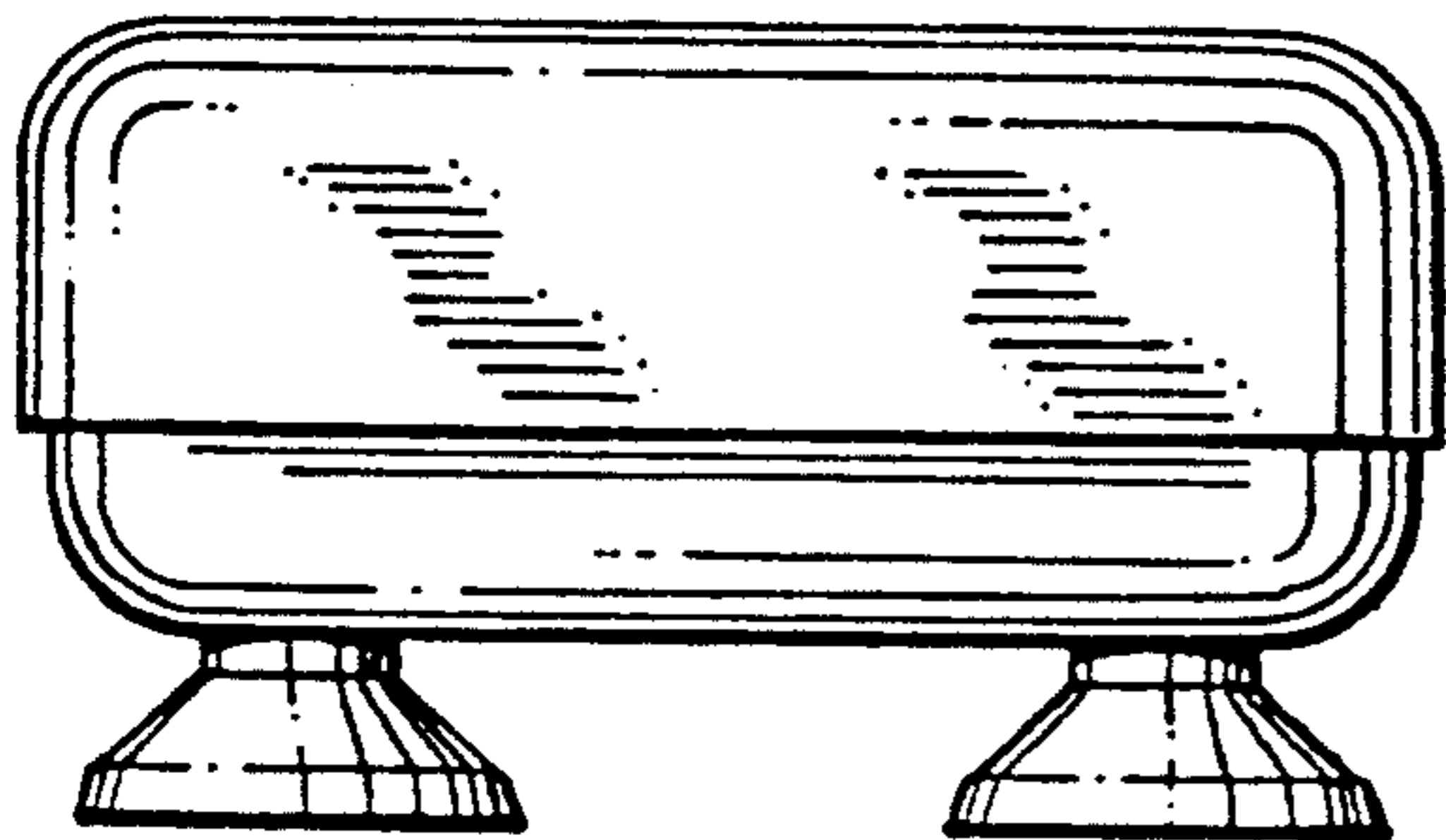


FIG. 4

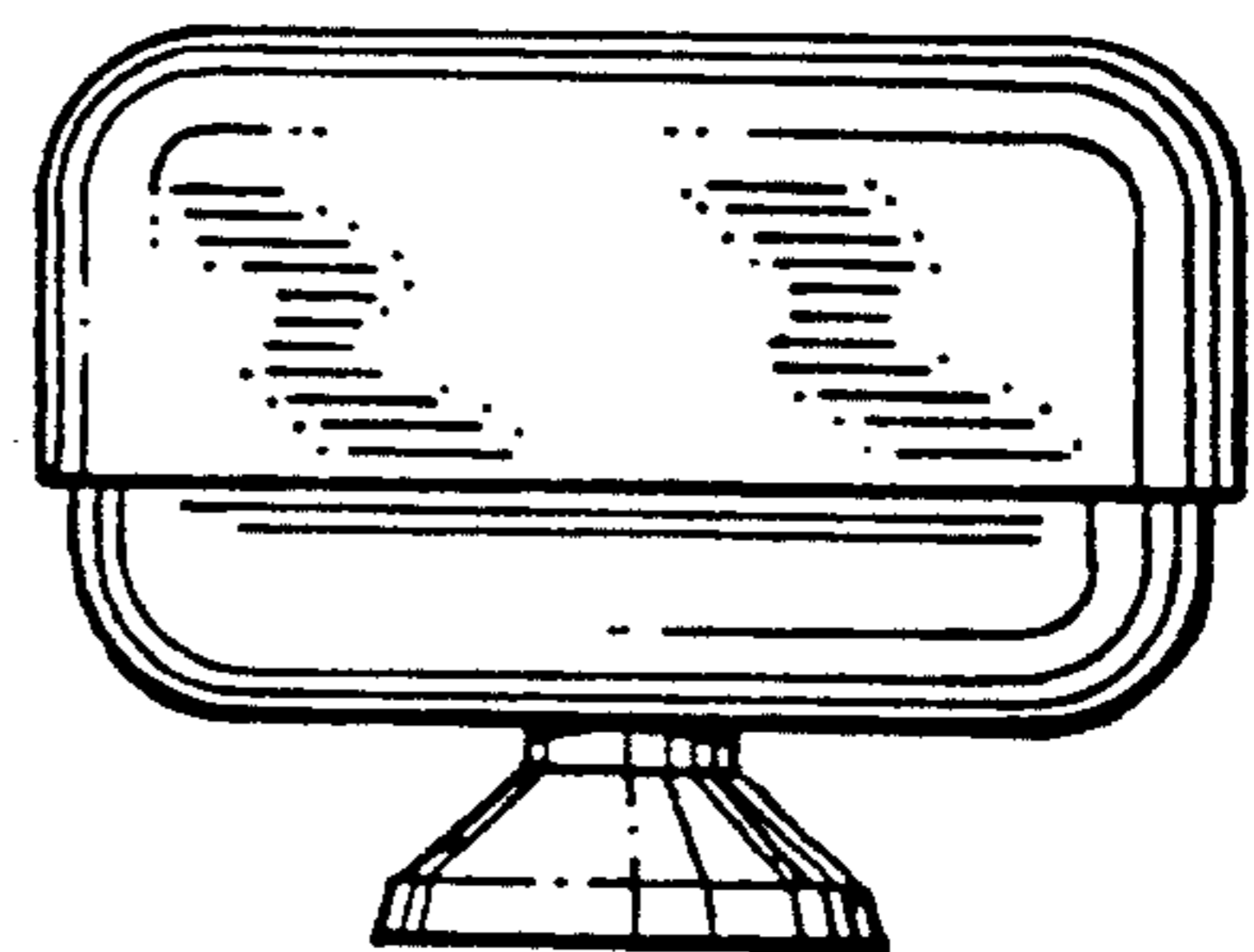


FIG. 5

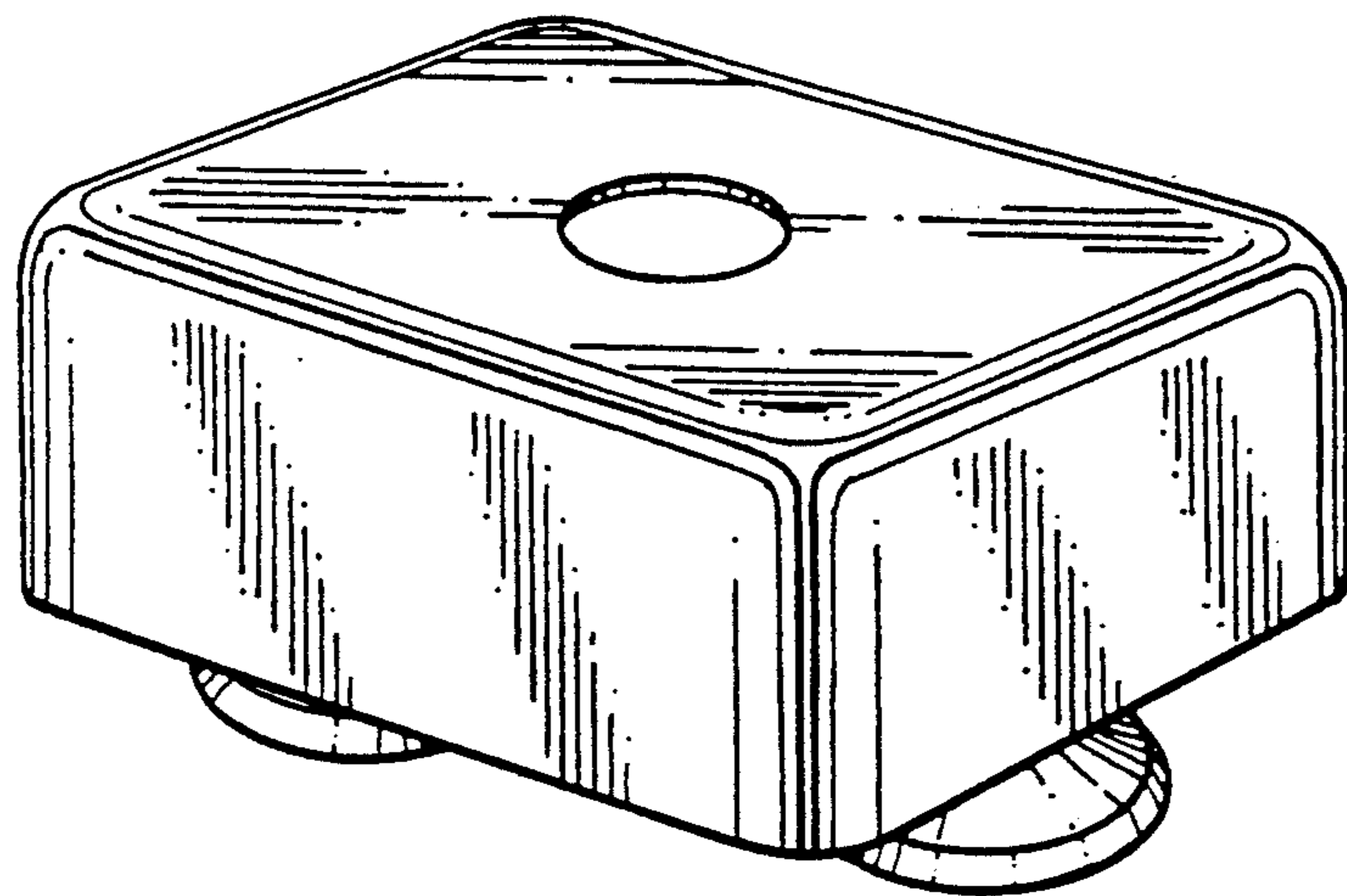


FIG. 6

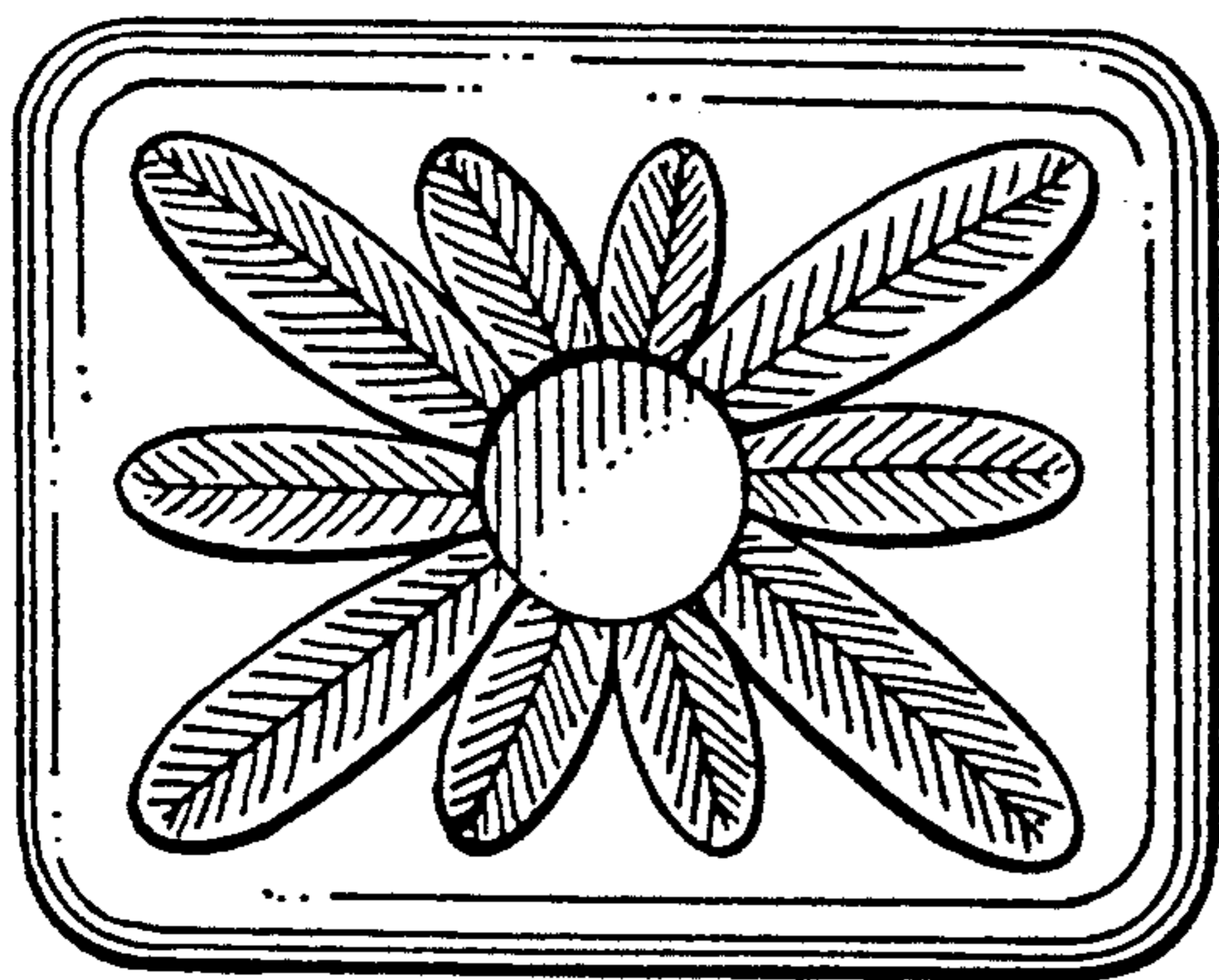


FIG. 7

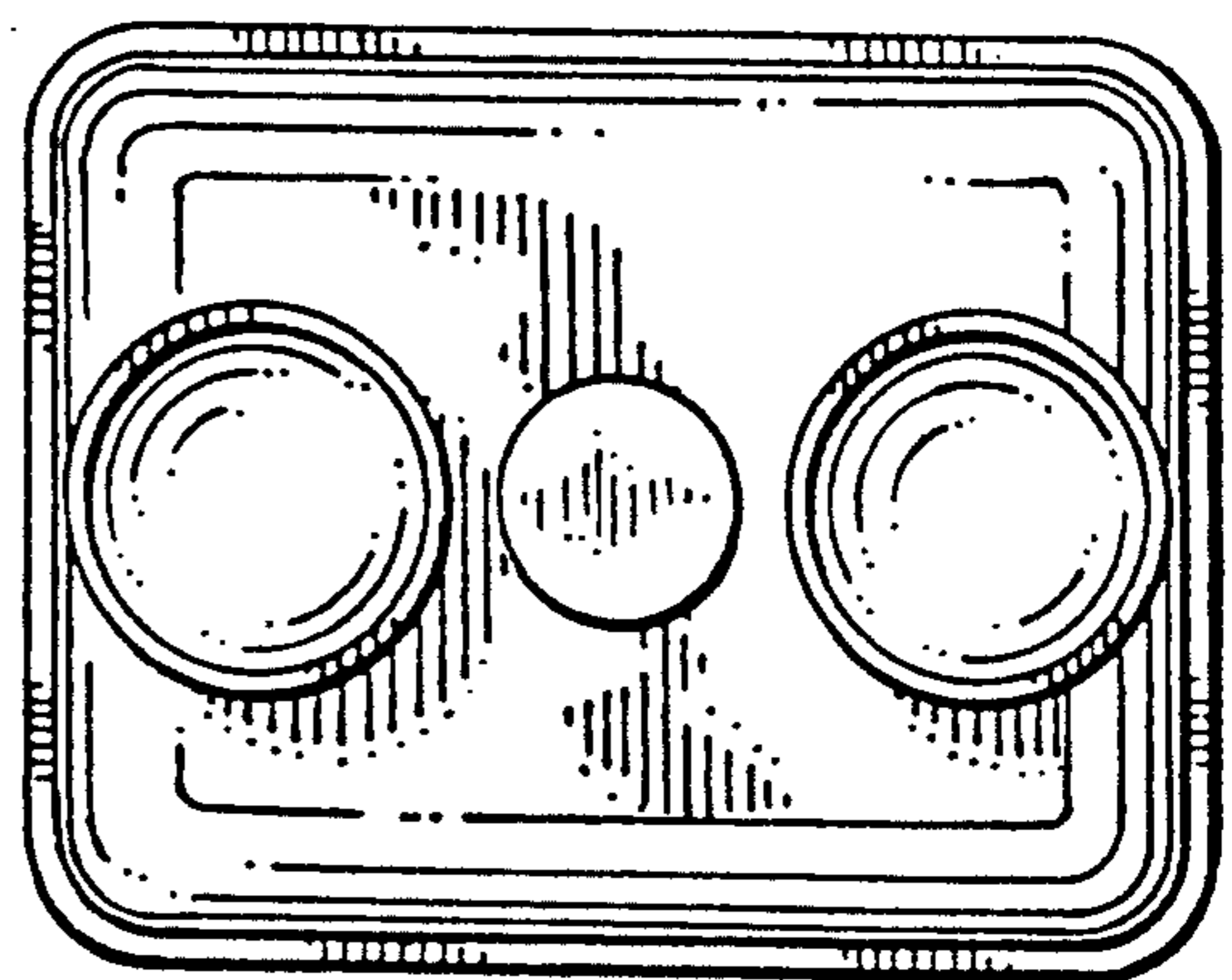


FIG. 8

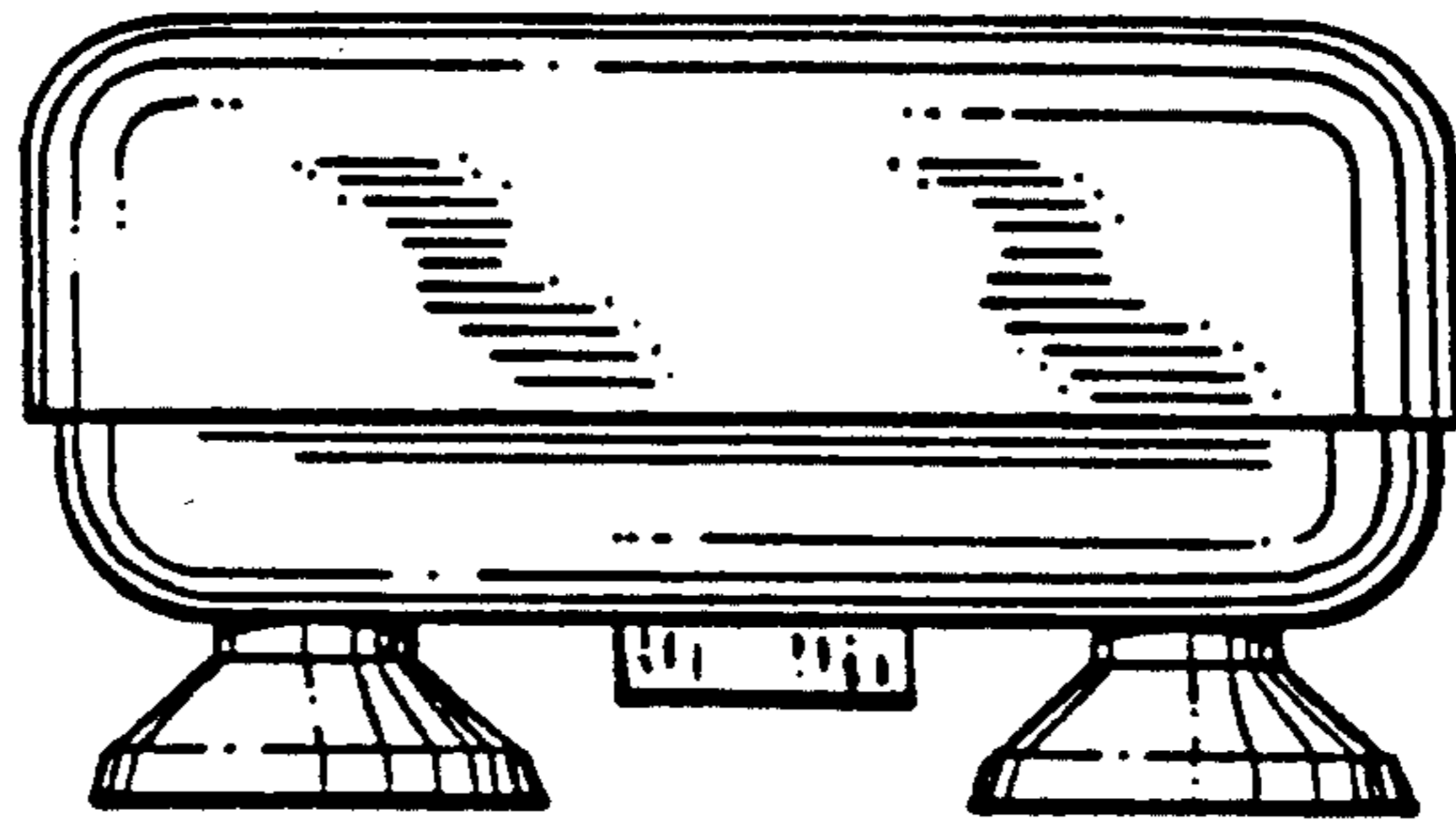


FIG. 9