



US00D340371S

United States Patent [19]

[11] Patent Number: **Des. 340,371**

Casali

[45] Date of Patent: **** Oct. 19, 1993**

[54] EASY CHAIR

[76] Inventor: **Nick Casali**, 68 Albury Grove Road, Cheshunt, Hertfordshire, England, EN88NS

[**] Term: **14 Years**

[21] Appl. No.: **775,063**

[22] Filed: **Oct. 11, 1991**

[52] U.S. Cl. **D6/502; D6/367**

[58] Field of Search **D6/334, 367, 368, 370, D6/371, 372, 373, 374, 379, 500, 501, 502; 297/27, 28, 359, 411**

D. 249,217 9/1978 Pierce D6/502
D. 294,319 2/1988 Troup et al. D6/502
D. 303,047 8/1989 Offredi D6/367
2,918,682 12/1959 Thoresen et al. D6/502 X

Primary Examiner—Alan P. Douglas
Assistant Examiner—Gary D. Watson
Attorney, Agent, or Firm—Hugh E. Smith

[57] CLAIM

The ornamental design for a easy chair, as shown and described.

DESCRIPTION

FIG. 1 is a front elevational view of the easy chair showing my new design;
FIG. 2 is a rear elevational view thereof;
FIG. 3 is a left side elevational view thereof;
FIG. 4 is a right side elevational view thereof;
FIG. 5 is a top plan view thereof; and,
FIG. 6 is a bottom plan view thereof.

[56] References Cited

U.S. PATENT DOCUMENTS

D. 190,806 7/1961 Emery D6/502
D. 234,736 4/1975 Smith D6/502

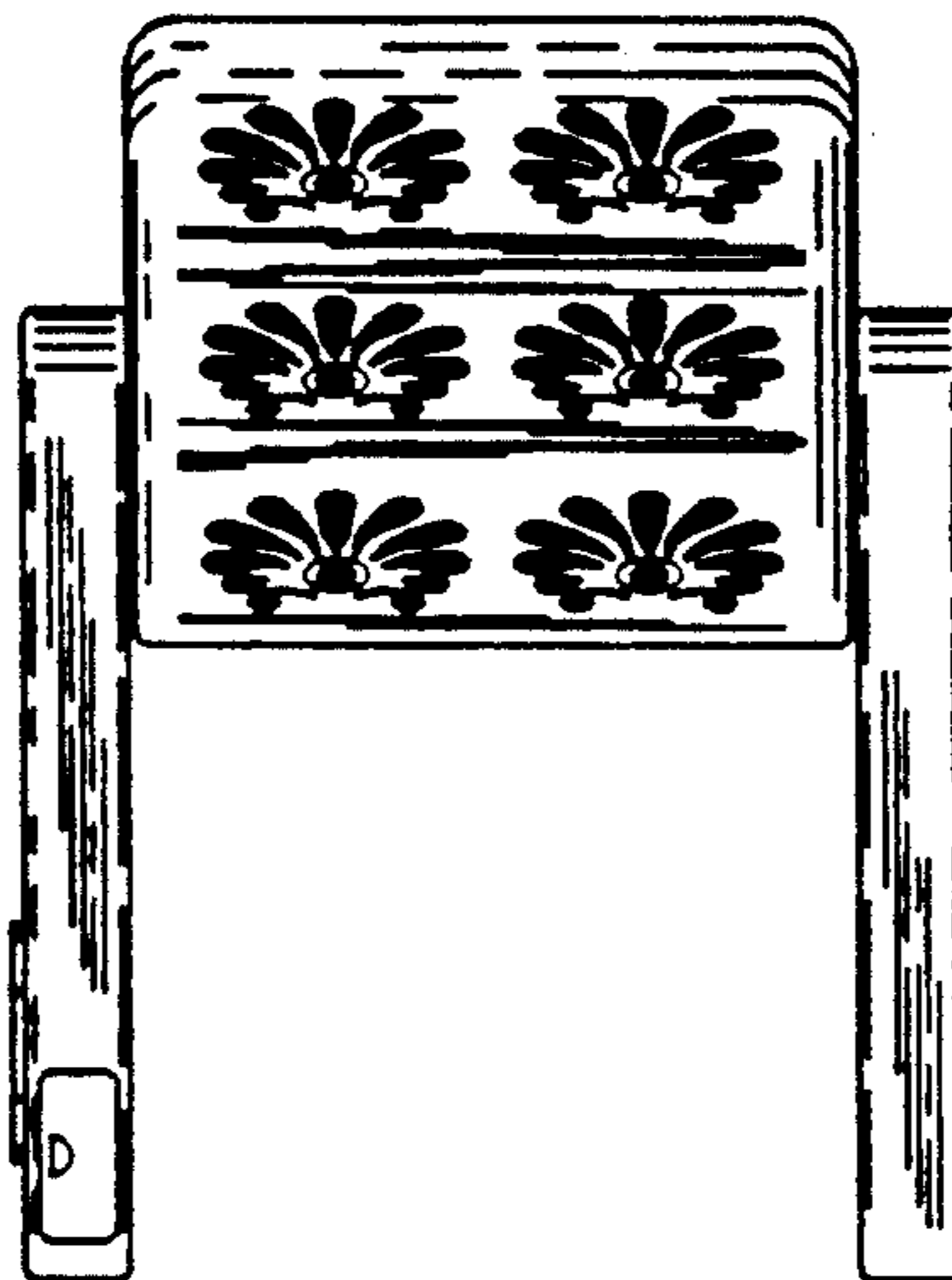
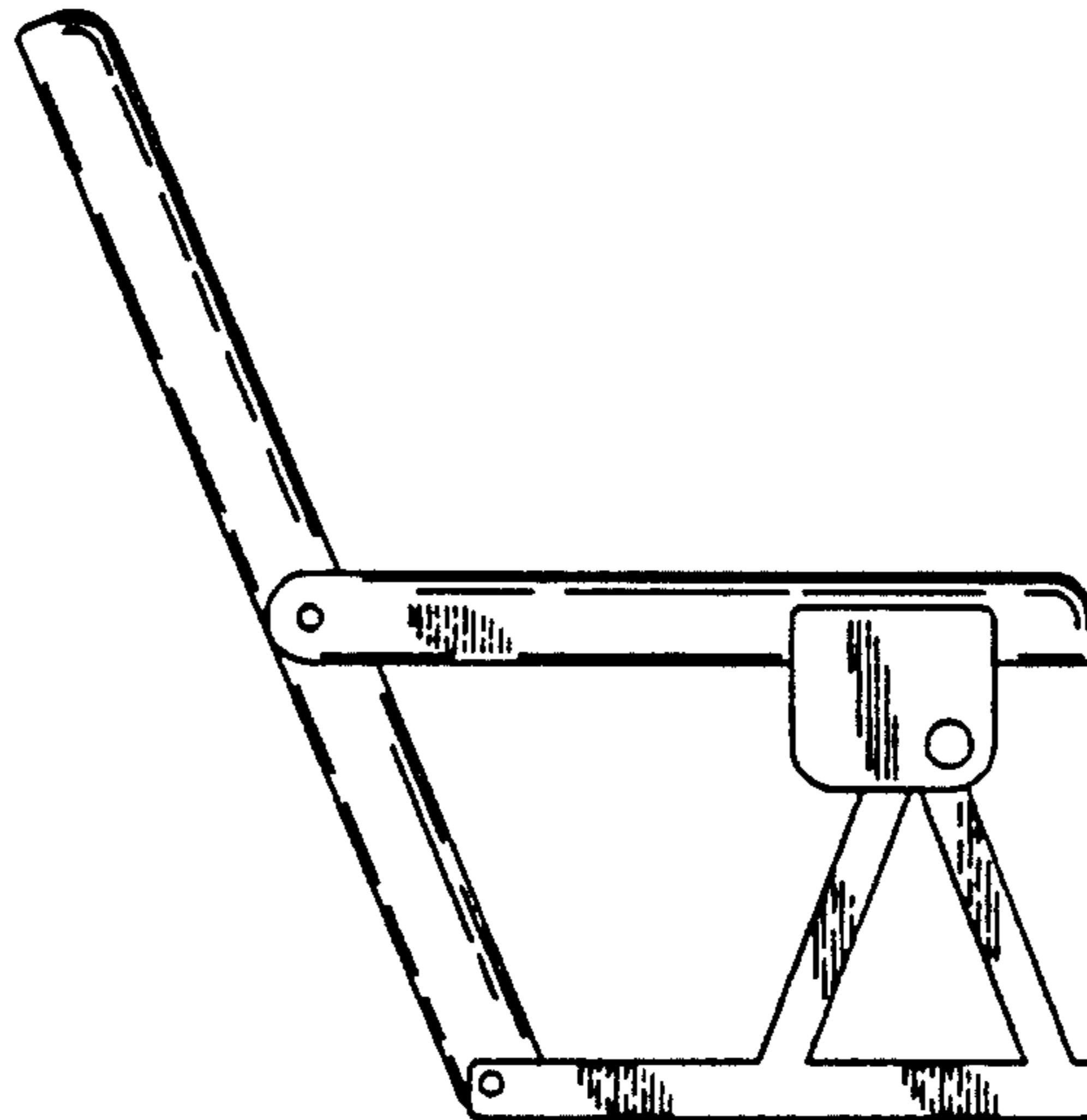


FIG. 1

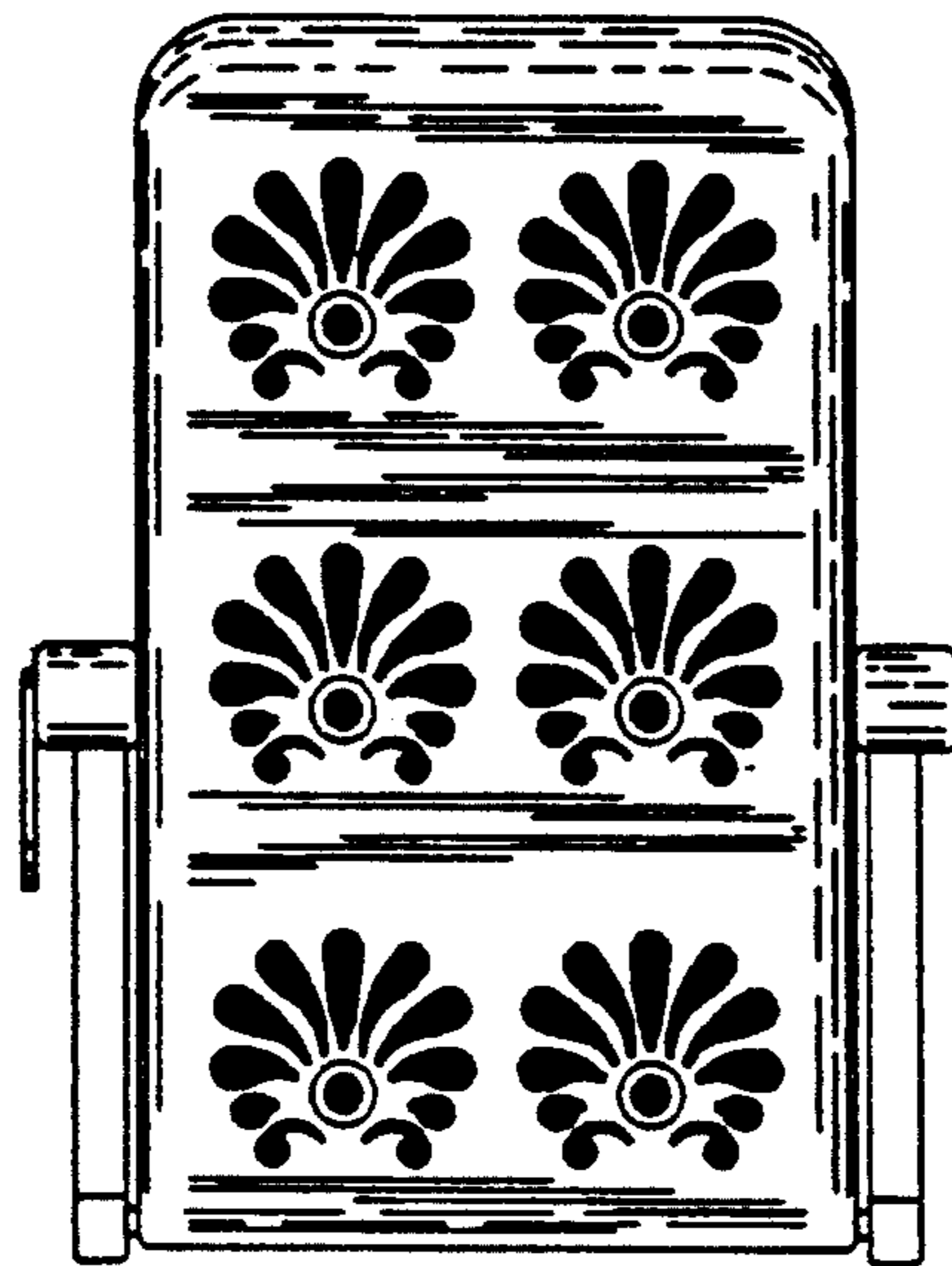


FIG. 2

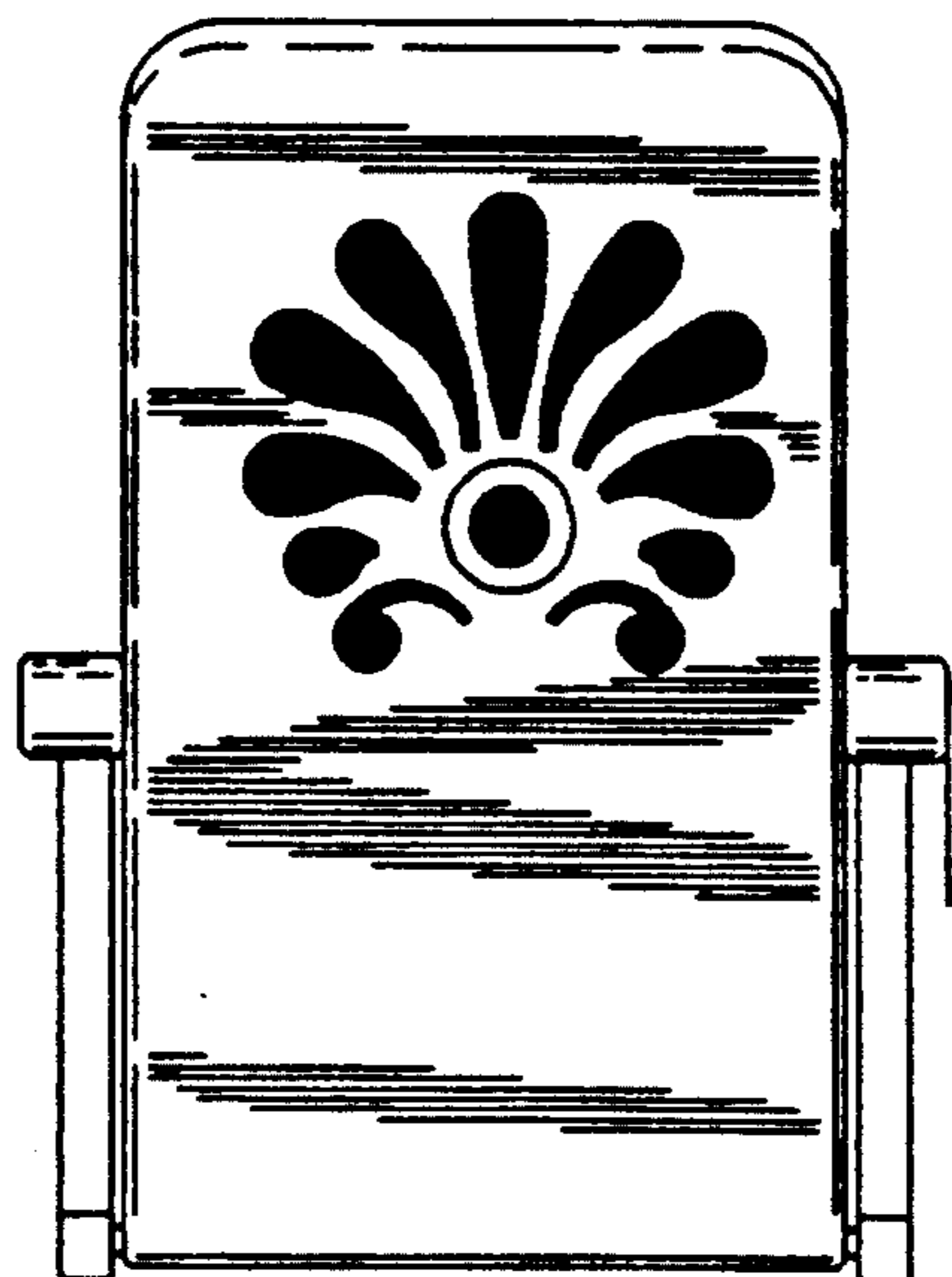


FIG. 3

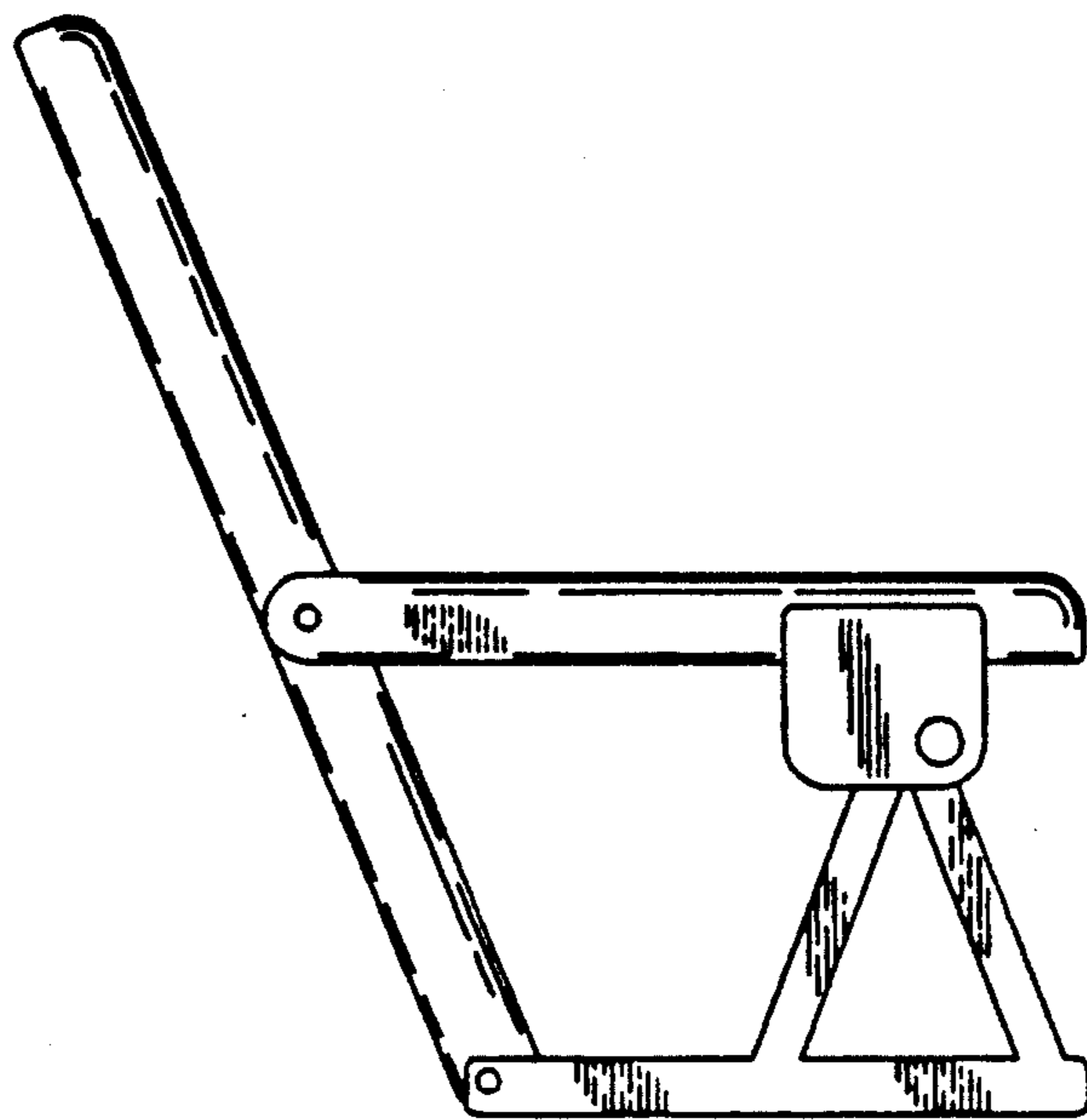


FIG. 4

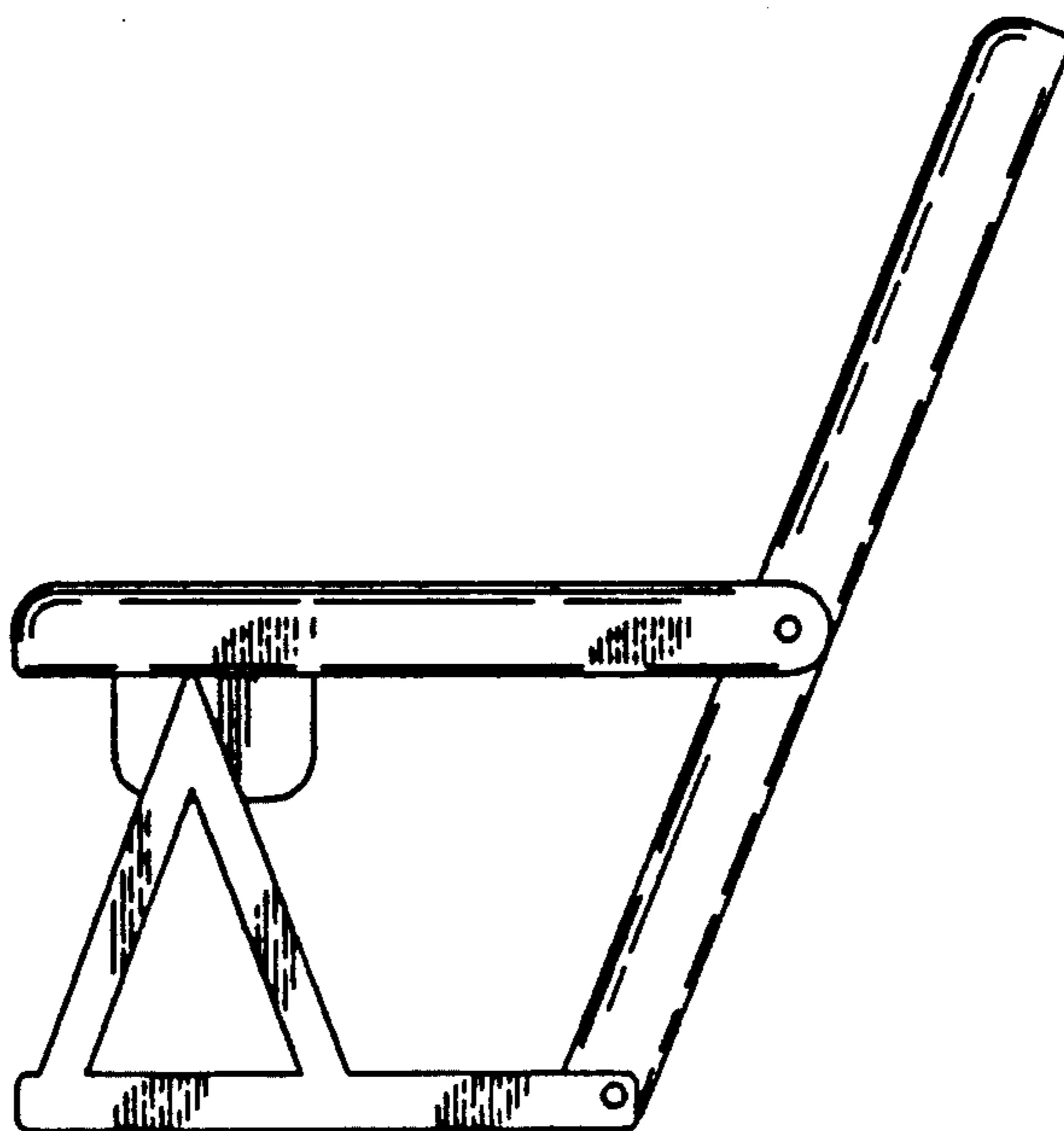


FIG. 5

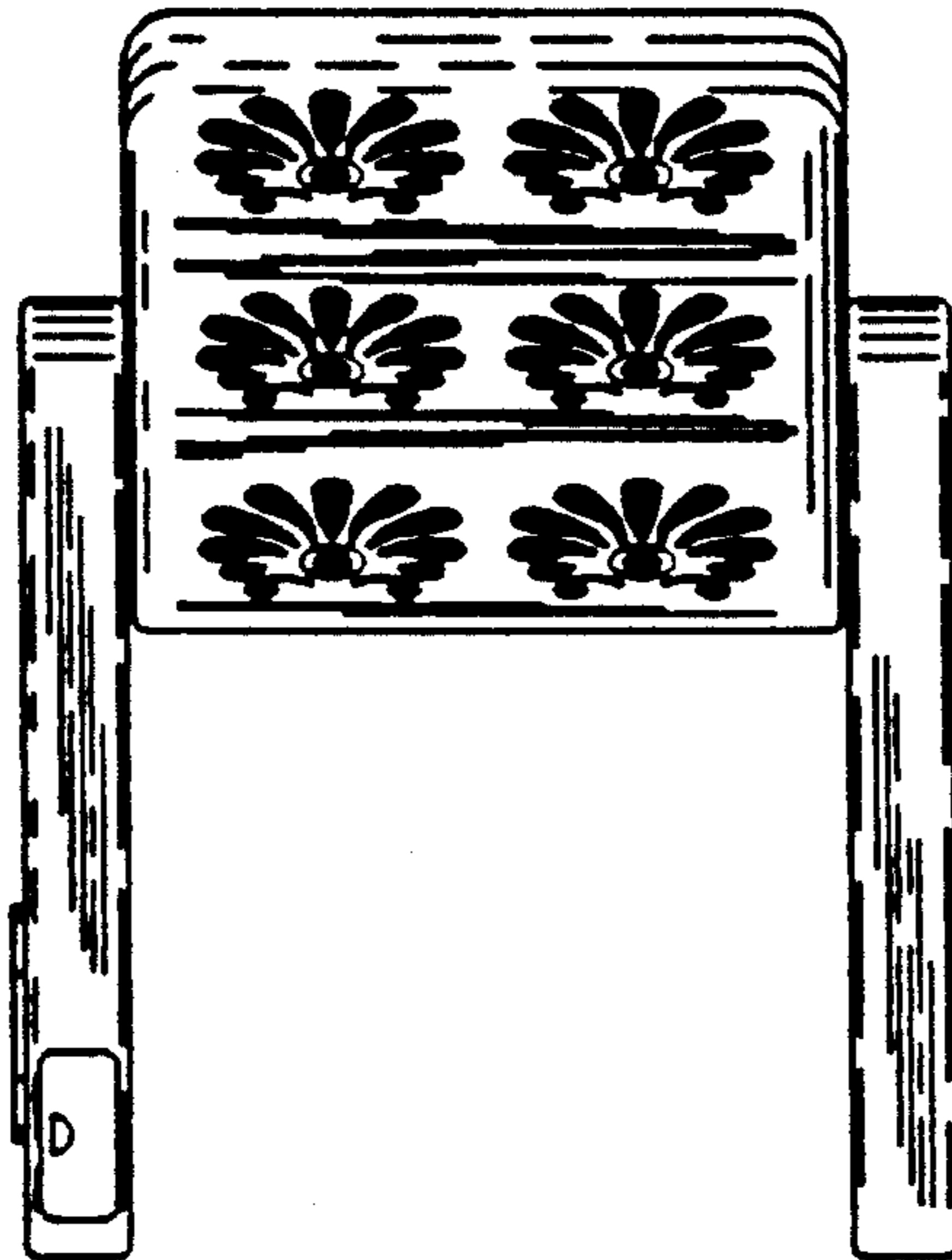


FIG. 6

